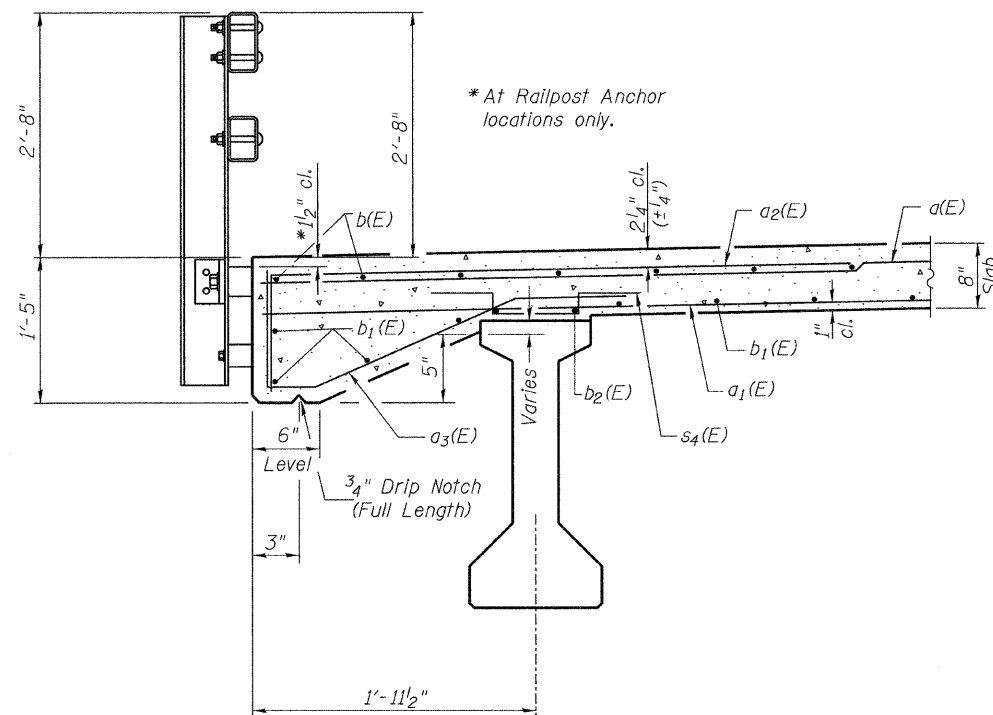
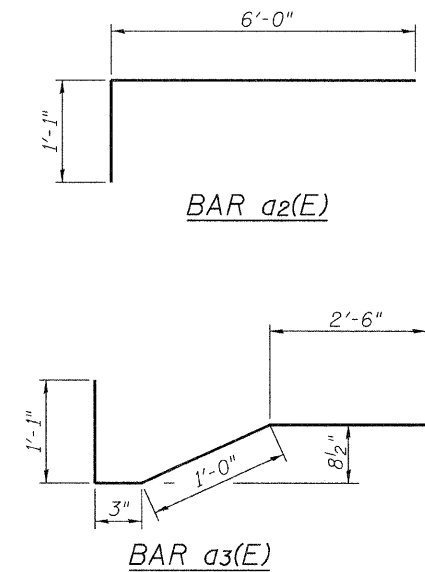
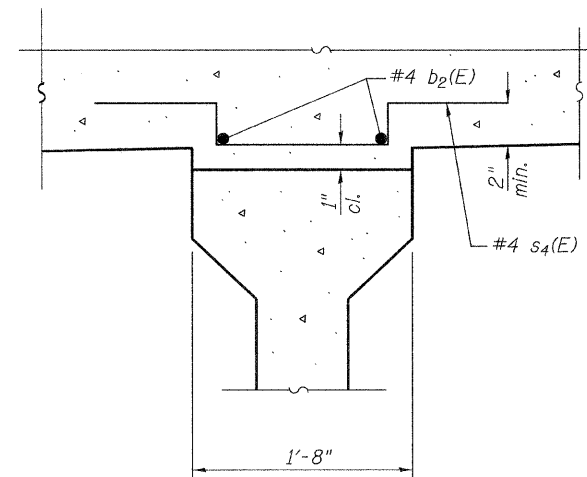


RAIL POST SPACING



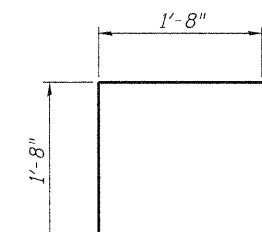
SECTION THRU PARAPET

See Sheet 10 of 19 for Rail Post Anchor Details

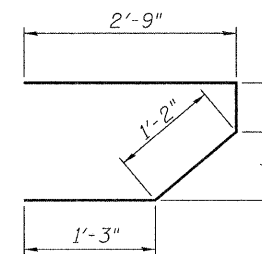


I-BEAM
FILLET REINFORCEMENT

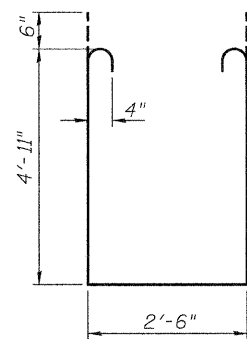
Reinforce 23'-0" from each end of beam with #4 s4(E) bars @ 12" cts. and 2-#4 b2(E) bars as shown above. (Typ. at all beams.)



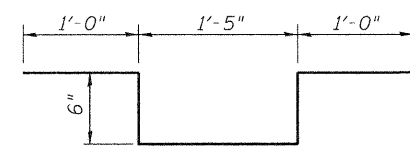
BAR v(E)



BAR s(E)



BAR s1(E)



BAR s4(E)

SUPERSTRUCTURE
BILL OF MATERIAL

Bar	No.	Size	Length	Shape
a(E)	156	#5	35'-9"	—
a1(E)	109	#5	34'-9"	—
a2(E)	312	#5	7'-1"	┌
a3(E)	156	#5	4'-10"	┌
a4(E)	4	#5	41'-2"	—
b(E)	185	#5	19'-6"	—
b1(E)	152	#5	24'-0"	—
b2(E)	24	#4	23'-0"	—
m(E)	4	#6	27'-3"	—
m1(E)	12	#6	22'-0"	—
m2(E)	24	#6	10'-2"	—
m3(E)	10	#6	4'-11"	—
m4(E)	4	#6	11"	—
s(E)	54	#5	5'-8"	┌
s1(E)	68	#4	13'-4"	┌
s4(E)	288	#4	4'-5"	┌
v(E)	50	#5	3'-4"	┌
① Reinforcement Bars, Epoxy Coated			Pound	23,920
Concrete Superstructure			Cu. Yds.	127.1

① See Special Provisions

SUPERSTRUCTURE DETAILS
C.H. 12 OVER HICKS CREEK
SECTION 07-00090-00-BR
MACOUPIN COUNTY

SHEET NO. 8 19 SHEETS	ROUTE NO.	SECTION	COUNTY	TOTAL SHEETS	SHEET NO.
	CH 12	07-00090-00-BR	MACOUPIN	77	18
SN 059-3556			CONTRACT NO. 93538		
FED. ROAD DIST. NO. 7 ILLINOIS		FED. AID PROJECT BRS-0732(148)			