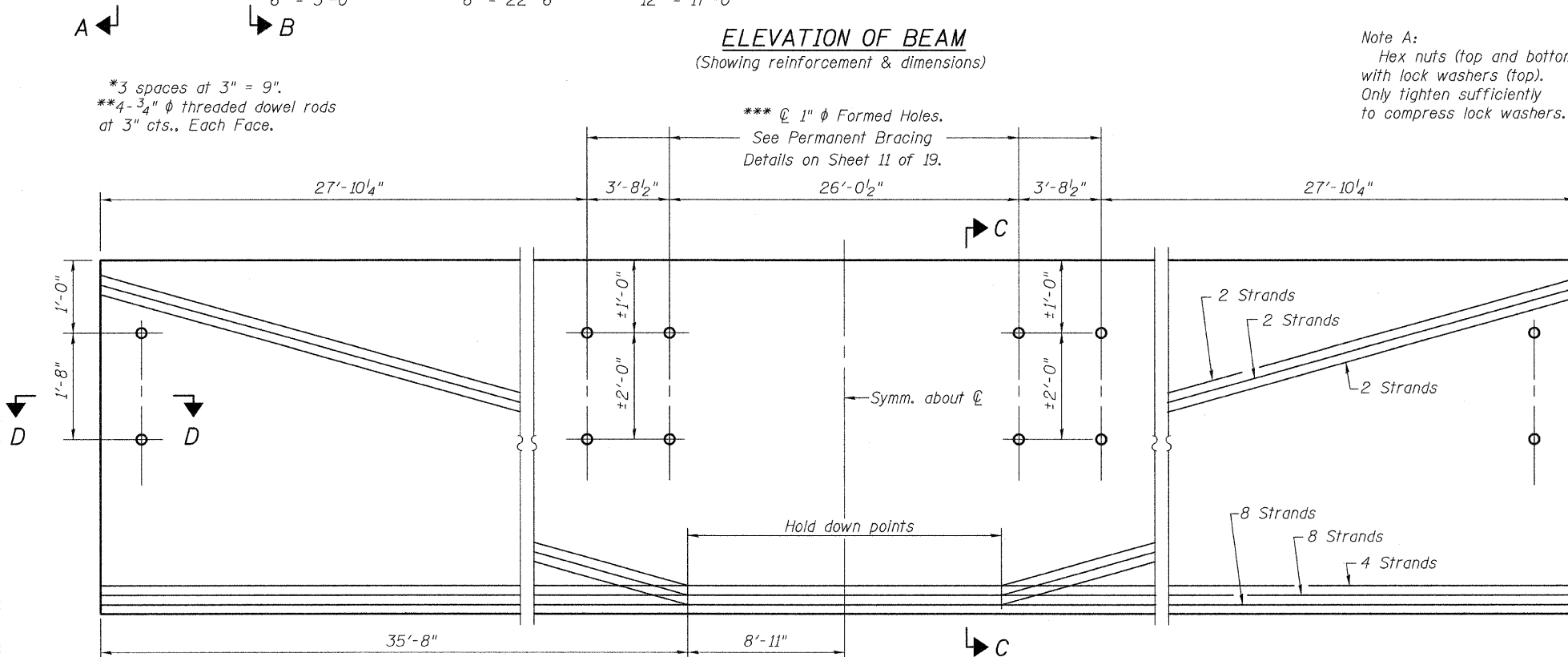


ELEVATION OF BEAM
(Showing reinforcement & dimensions)

*3 spaces at 3" = 9".
**4-3/4" φ threaded dowel rods at 3" cts., Each Face.

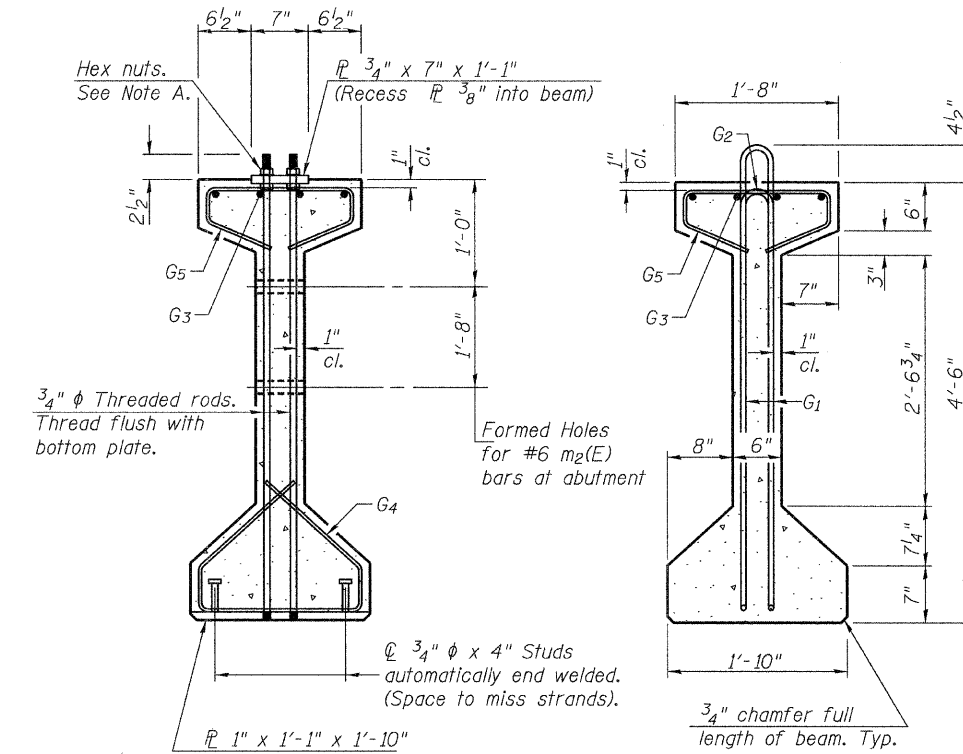
*** 1" φ Formed Holes. See Permanent Bracing Details on Sheet 11 of 19.

Note A:
Hex nuts (top and bottom) with lock washers (top). Only tighten sufficiently to compress lock washers.



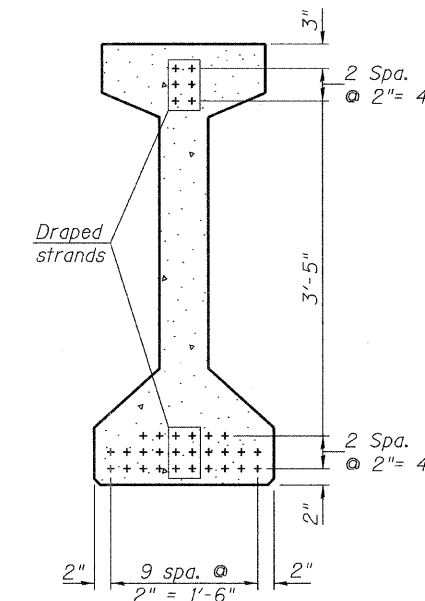
ELEVATION OF BEAM
(Showing prestressing steel)

*** Exterior beams require formed holes for only one diaphragm at each location. See Framing Plan on Sheet 11 of 19.



SECTION A-A

SECTION B-B



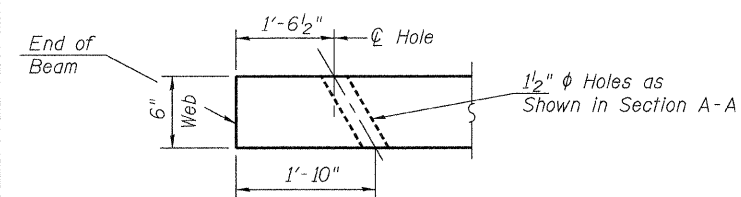
SECTION C-C

*****BAR LIST
ONE BEAM ONLY**

Bar	No.	Size	Length	Shape
G ₁	139	#4	10'-5"	∩L
G ₂	14	#4	8'-8"	∩
G ₃	12	#7	31'-11"	—
G ₄	38	#3	4'-11"	∩
G ₅	89	#3	3'-5"	∩

***For information only

Notes:
See sheet 13 of 19 for additional details and Bill of Material.
Required release strength, f'ci, shall be 5,000 psi.



SECTION D-D

**54" PPC I-BEAM
C.H. 12 OVER HICKS CREEK
SECTION 07-00090-00-BR
MACOUPIN COUNTY**

SHEET NO. 12 19 SHEETS	ROUTE NO. CH 12	SECTION 07-00090-00-BR	COUNTY MACOUPIN	TOTAL SHEETS 77	SHEET NO. 22
	SN 059-3556		CONTRACT NO. 98538		
FED. ROAD DIST. NO. 7 ILLINOIS			FED. AID PROJECT BRS-0732(148)		