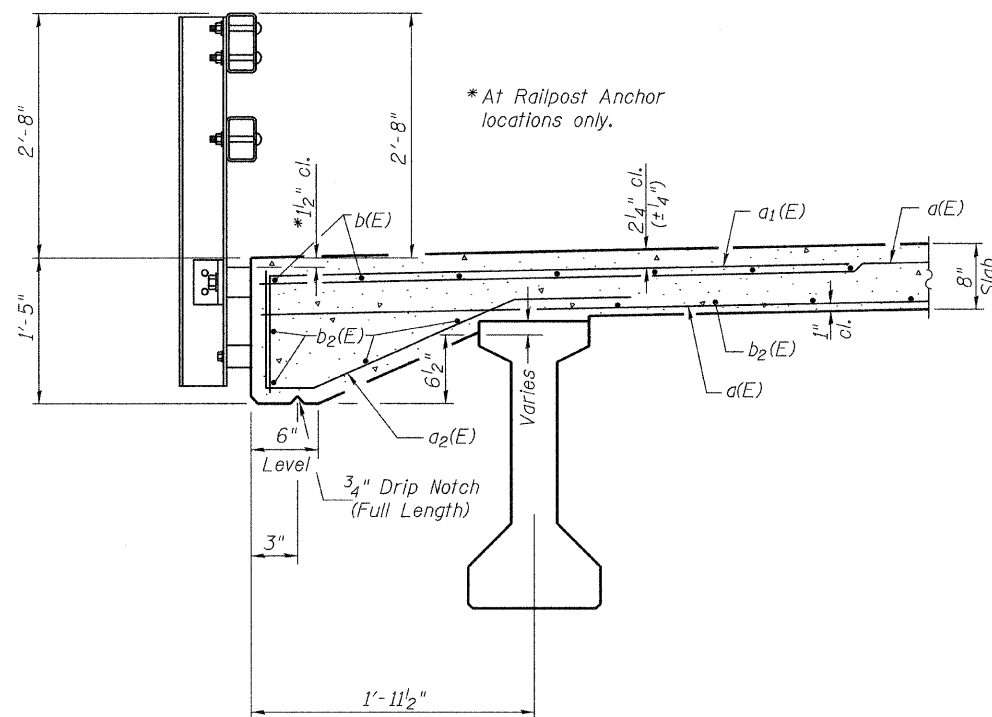
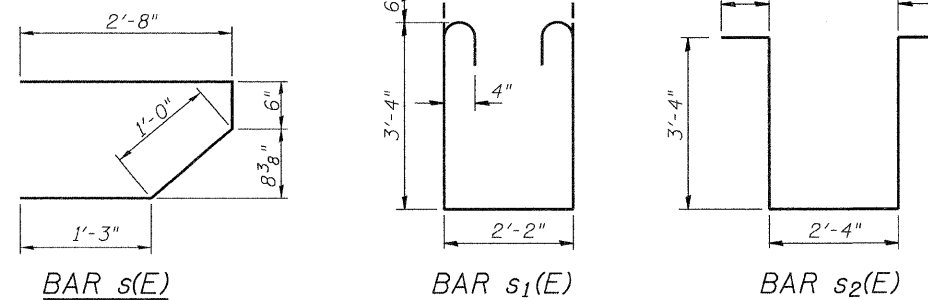
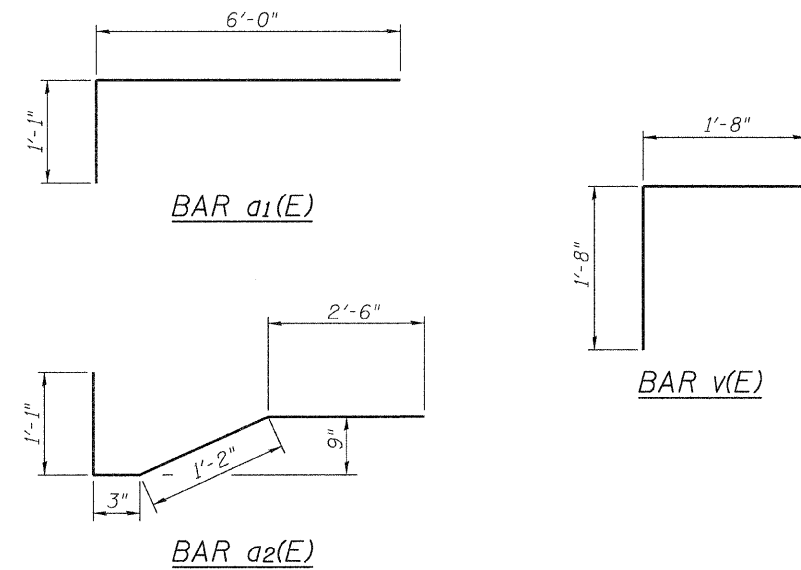


RAIL POST SPACING



SECTION THRU PARAPET

See Sheet 11 of 22 for Rail Post Anchor Details



SUPERSTRUCTURE
BILL OF MATERIAL

Bar	No.	Size	Length	Shape
a(E)	448	#5	35'-8"	—
a ₁ (E)	542	#5	7'-1"	┌
a ₂ (E)	272	#5	5'-0"	┌
b(E)	185	#5	30'-7"	—
b ₁ (E)	72	#6	24'-9"	—
b ₂ (E)	228	#5	25'-10"	—
m(E)	4	#6	23'-9"	—
m ₁ (E)	6	#6	35'-8"	—
m ₂ (E)	24	#6	9'-2"	—
m ₃ (E)	30	#6	4'-8"	—
m ₄ (E)	4	#6	0'-11"	—
m ₅ (E)	40	#6	5'-7"	—
m ₆ (E)	12	#8	5'-6"	—
s(E)	54	#5	5'-5"	┘
s ₁ (E)	68	#4	9'-10"	┘
s ₂ (E)	60	#4	10'-0"	┘
v(E)	50	#5	3'-4"	┌
① Reinforcement Bars, Epoxy Coated			Pound	39,660
Concrete Superstructure			Cu. Yd.	180.1

① See Special Provisions

SUPERSTRUCTURE DETAILS
C.H. 12 OVER JOES CREEK
SECTION 07-00090-00-BR
MACOUPIN COUNTY

SHEET NO. 8 22 SHEETS	ROUTE NO.	SECTION	COUNTY	TOTAL SHEETS	SHEET NO.
	CH 12	07-00090-00-BR	MACOUPIN	77	37
SN 059-3557			CONTRACT NO. 9 3 5 3 8		
FED. ROAD DIST. NO. 7 ILLINOIS			FED. AID PROJECT BRS-0732(148)		