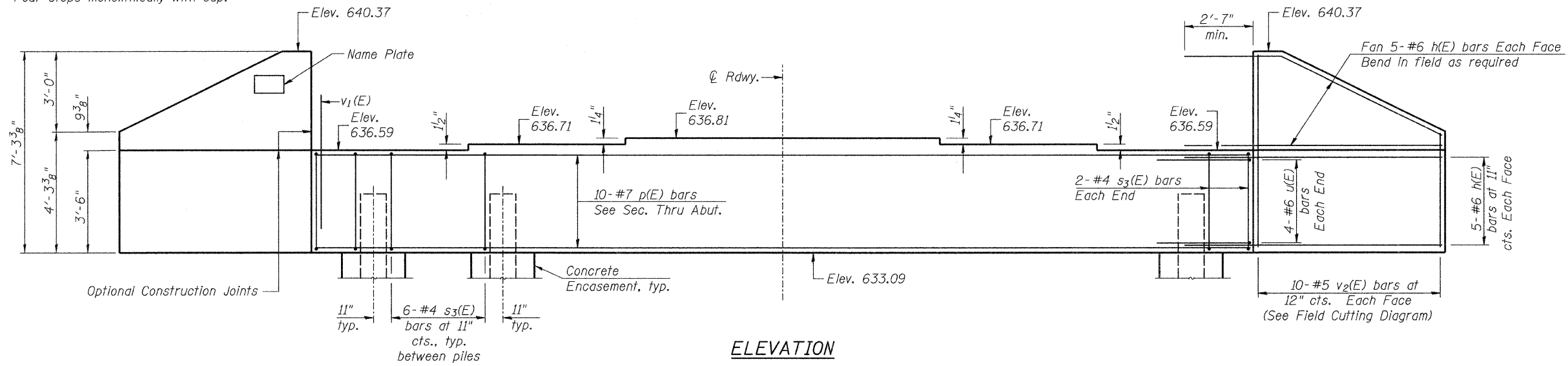
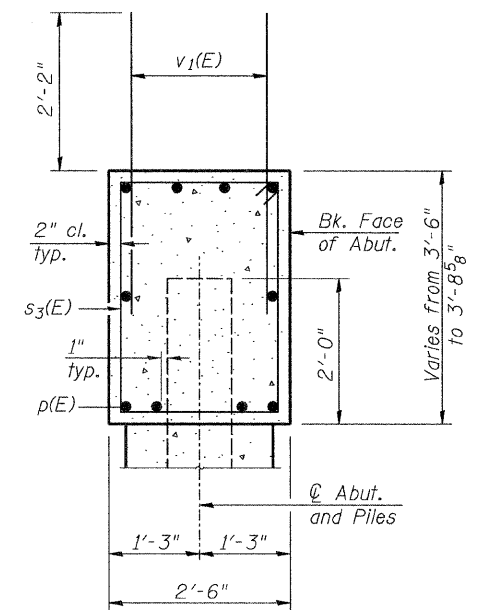


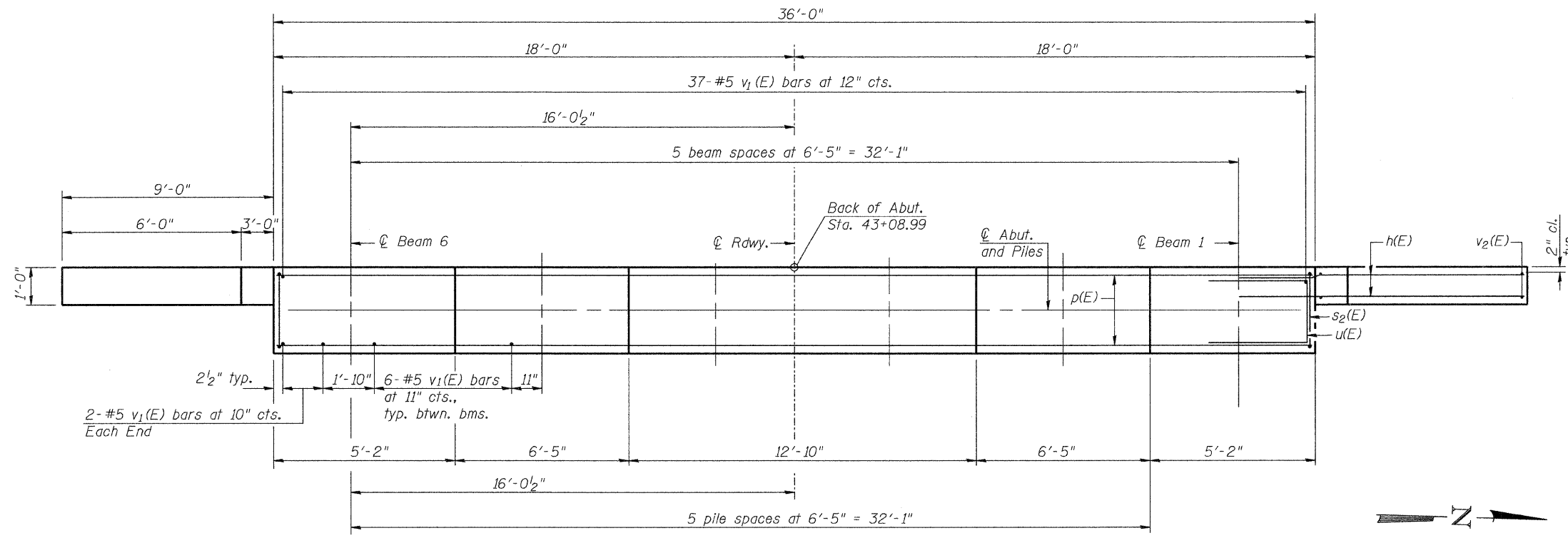
Notes:
Pour steps monolithically with cap.



ELEVATION



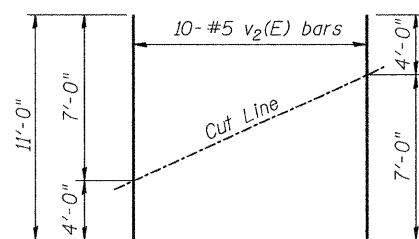
SEC. THRU ABUT.



PLAN

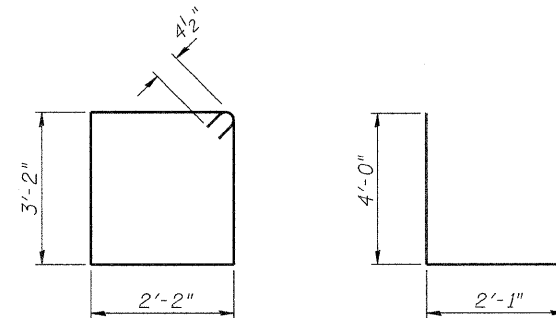
PILE DATA

Type: HP12x53
Nominal Required Bearing: 290 Kips
Factored Resistance Available: 145 Kips
Est. Length: 75'
No. Production Piles: 5
No. Test Piles: 1



FIELD CUTTING DIAGRAM

Order v2(E) full length. Cut as shown and use remainder of bars in opposite face.



BAR s3(E)

BAR u(E)

**WEST ABUTMENT
BILL OF MATERIAL**

Bar	No.	Size	Length	Shape
h(E)	40	#6	11'-6"	—
p(E)	10	#7	35'-8"	—
s3(E)	34	#4	11'-5"	□
u(E)	8	#6	10'-1"	—
v1(E)	71	#5	4'-4"	—
v2(E)	20	#5	11'-0"	—
Structure Excavation		Cu. Yd.	70	
Concrete Structures		Cu. Yd.	16.3	
① Reinforcement Bars, Epoxy Coated		Pound	2,350	
Name Plates		Each	1	
Furnishing Steel Piles HP12x53		Foot	375	
① Driving Piles		Foot	375	
① Test Pile Steel HP12x53		Each	1	
Concrete Encasement		Cu. Yd.	2.1	

① See Special Provisions
For details of Piles and Concrete Encasement, see sheet 20 of 22.

**WEST ABUTMENT
C.H. 12 OVER JOES CREEK
SECTION 07-00090-00-BR
MACOUPIN COUNTY**

SHEET NO. 15	ROUTE NO.	SECTION	COUNTY	TOTAL SHEETS	SHEET NO.
22 SHEETS	CH 12	07-00090-00-BR	MACOUPIN	77	44
		SN 059-3557		CONTRACT NO. 93598	
	FED. ROAD DIST. NO. 7	ILLINOIS	FED. AID PROJECT BRS-0732(148)		