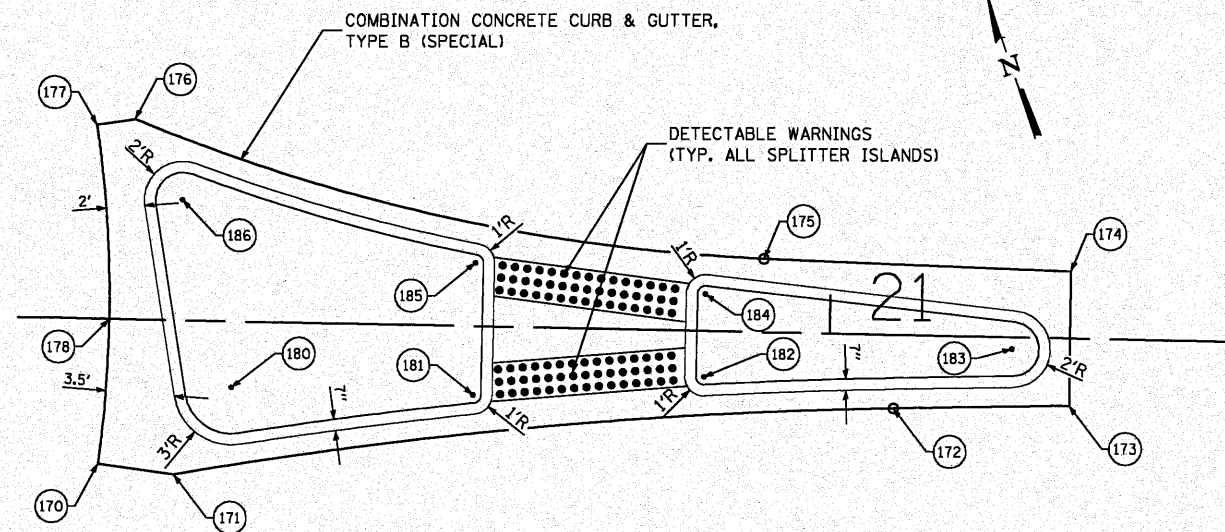
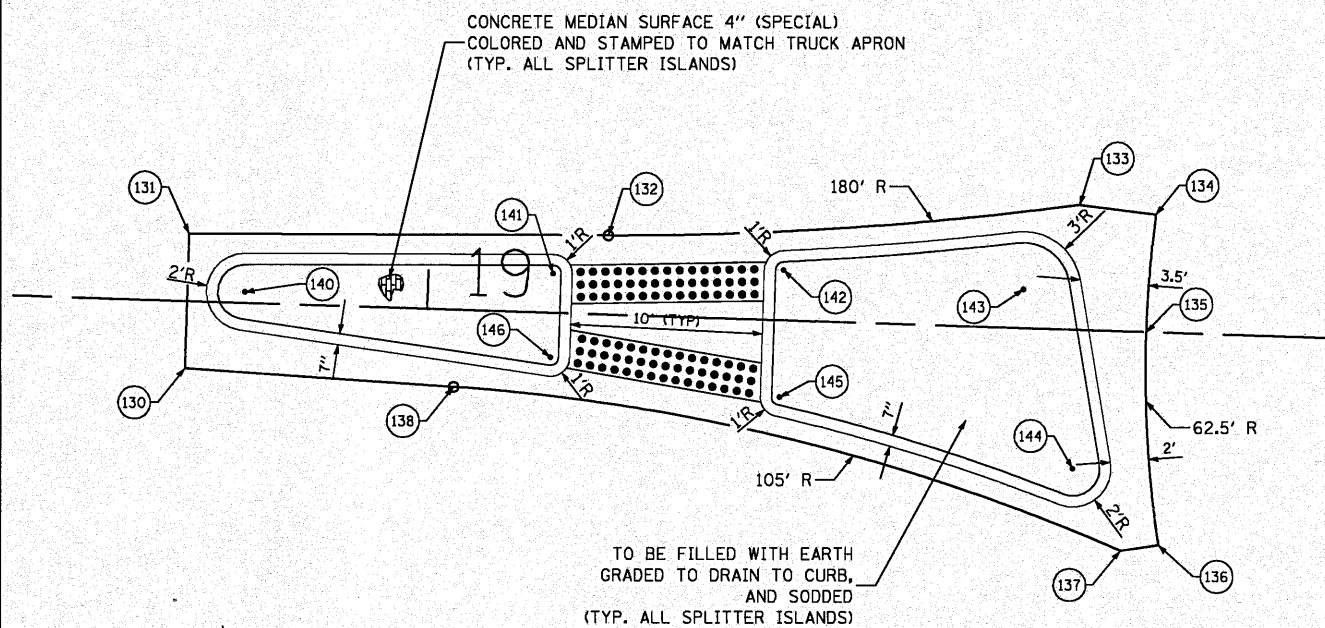


EAST SPLITTER ISLAND			
NUMBER	NORTHING	EASTING	ELEVATION
170	704956.2914	2363616.1145	577.29
171	704954.6067	2363619.7425	577.19
172	704947.0610	2363656.6037	577.00
173	704944.5613	2363665.3878	577.01
174	704951.2367	2363667.4953	577.01
175	704956.4780	2363652.4085	577.03
176	704972.8855	2363623.1900	577.23
177	704973.1872	2363621.2129	577.24
178	704963.3285	2363618.8781	577.29
180	704958.0802	2363623.9190	
181	704954.0580	2363635.8455	
182	704951.4941	2363647.6294	
183	704948.2447	2363663.4047	
184	704955.6058	2363648.9632	
185	704960.6107	2363637.9712	
186	704968.1547	2363624.3369	

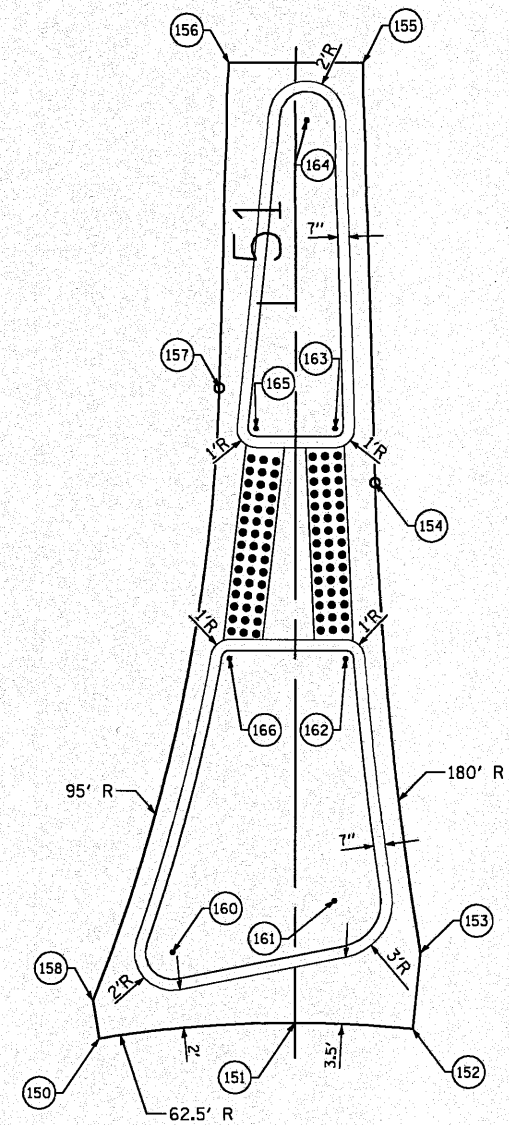


TYPICAL ALL SPLITTER ISLANDS
WALK AREAS SHALL BE POURED MONOLITHICALLY WITH CURB & INCLUDED IN THE COST OF COMBINATION CONCRETE CURB & GUTTER, TYPE B (SPECIAL)

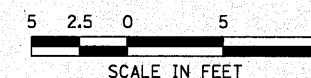


WEST SPLITTER ISLAND			
NUMBER	NORTHING	EASTING	ELEVATION
130	705015.4033	2363451.7554	576.84
131	705022.0330	2363454.0019	576.84
132	705015.6212	2363474.8666	576.76
133	705010.0162	2363498.8361	576.75
134	705008.3679	2363502.4807	576.74
135	705002.6718	2363500.2339	576.76
136	704991.8785	2363497.6184	576.77
137	704992.1750	2363495.6405	576.71
138	705010.4182	2363464.8530	576.79
140	705018.3089	2363455.9076	
141	705014.5546	2363471.5290	
142	705011.2455	2363483.0779	
143	705006.6613	2363494.7539	
144	704996.9927	2363494.5010	
145	705004.9786	2363480.9544	
146	705010.4279	2363470.1307	

TO BE FILLED WITH EARTH GRADED TO DRAIN TO CURB, AND SODDED (TYP. ALL SPLITTER ISLANDS)



NORTH SPLITTER ISLAND			
NUMBER	NORTHING	EASTING	ELEVATION
150	705044.5769	2363567.6036	575.83
151	705042.4166	2363577.5909	575.84
152	705040.3523	2363583.3557	575.87
153	705044.0475	2363584.8870	575.70
154	705068.1833	2363589.7260	575.06
155	705089.2423	2363595.4704	574.52
156	705091.2766	2363588.7725	574.52
157	705075.2473	2363583.3957	574.95
158	705046.5598	2363567.8652	575.75
160	705047.7900	2363572.5631	
161	705047.9316	2363581.4075	
162	705059.8363	2363585.6139	
163	705071.4881	2363588.5544	
164	705087.2182	2363591.8087	
165	705072.6801	2363584.6213	
166	705061.5910	2363579.8411	



LAST SAVED = 11/29/2008
PEN TABLE = VB-Hatf.ab
PLOT DRIVER = TR-V6pdf-Block-Hatf.plt

FILE NAME =
USER NAME = sdonahue
DESIGNED -
DRAWN -
PLOT SCALE = 40.0018 ' / IN.
PLOT DATE = 11/4/2018 11:08 PM

DESIGNED -
DRAWN -
CHECKED -
DATE -

REVISED -
REVISED -
REVISED -
REVISED -

REVISED -
REVISED -
REVISED -
REVISED -

HORNER & SHIFRIN, INC.
ENGINEERS
www.HornerShifrin.com

Fallon
ILLINOIS

INTERSECTION DETAILS
SPLITTER ISLANDS
SCALE: 1"=5'
SHEET NO. 2 OF 3 SHEETS STA. TO STA.

F.A.U. 9170
PORTER / SIMMONS ROADS
SECTION 08-0060-00-PV
CONTRACT 97408
TOTAL SHEETS 36
NO. 20