

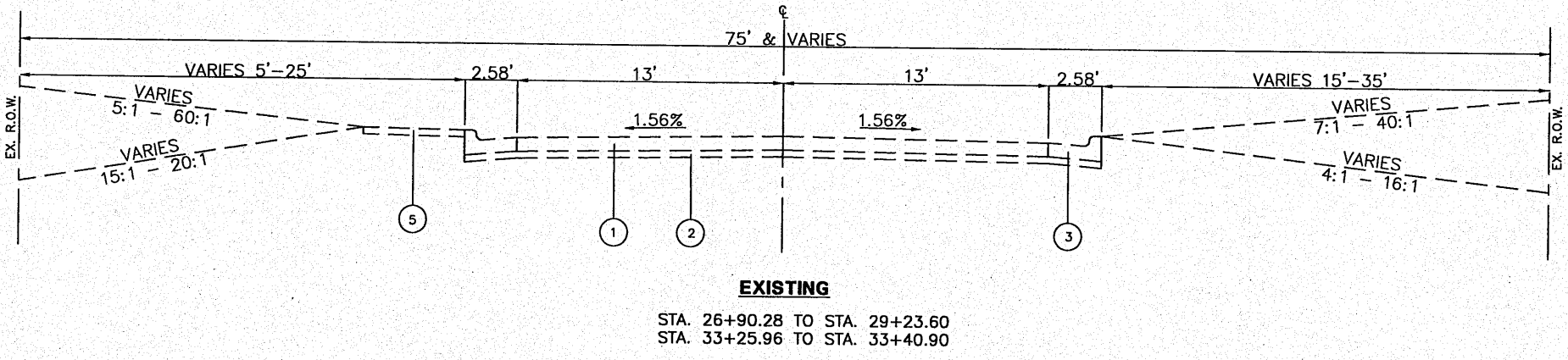
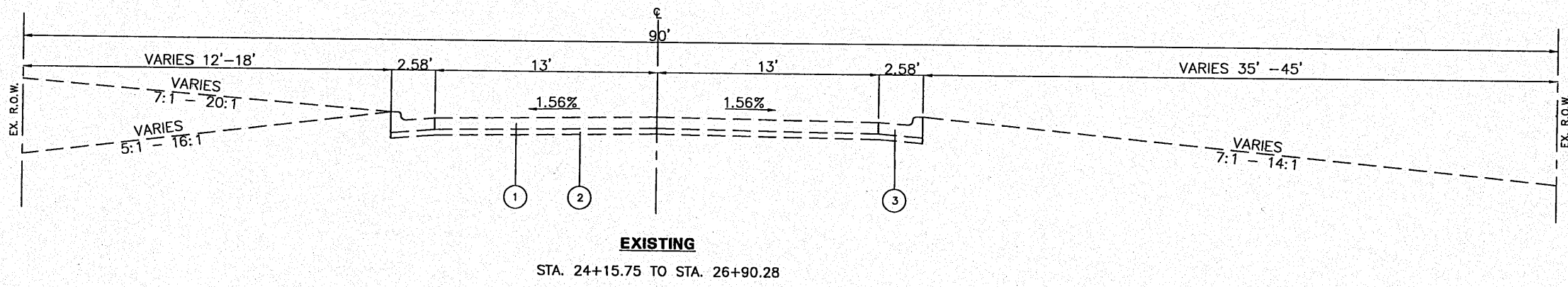
TAJ ROUTE	SECTION	COUNTY
9257	06-00011-02-RP	ST. CLAIR
CONTRACT NO. 97448		ILLINOIS

**THOUVENOT,  
WADE &  
MOERCHEN, INC.**  
ENGINEERS ♦ SURVEYORS ♦ PLANNERS



- CORPORATE OFFICE**  
4940 OLD COLLINSVILLE RD.  
SWANSEA, ILLINOIS 62226  
TEL (618) 624-4488  
FAX (618) 624-6688  
info@twm-inc.com
- CARBONDALE OFFICE**  
206 WEST COLLEGE STREET  
CARBONDALE, ILLINOIS 62901  
TEL (618) 549-8844  
FAX (618) 549-8450  
info@twm-inc.com
- EDWARDSVILLE OFFICE**  
1015B CENTURY DRIVE  
EDWARDSVILLE, ILLINOIS 62025  
TEL (618) 656-4040  
FAX (618) 656-4343  
info@twm-inc.com
- ST. CHARLES OFFICE**  
400 NORTH 5TH ST., SUITE 101  
ST. CHARLES, MISSOURI 63301  
TEL (636) 724-8300  
FAX (636) 724-8304  
info@twm-inc.com
- WATERLOO OFFICE**  
113 SOUTH MAIN STREET  
WATERLOO, ILLINOIS 62298  
TEL (618) 939-5050  
FAX (618) 939-3938  
info@twm-inc.com

PROFESSIONAL REGISTRATIONS	LICENSE NO.
ILLINOIS PROFESSIONAL DESIGN FIRM	184-001220
PROFESSIONAL ENGINEERING CORP.	62-035370
PROFESSIONAL STRUCTURAL ENGR. CORP.	81-005202
ILLINOIS PROF. LAND SURVEYING CORP.	048-000029
MISSOURI PROFESSIONAL ENGR. CORP.	NC 001528
MISSOURI LAND SURVEYING CORP.	NC 000346



- LEGEND**
- ① EXISTING 8" PCC PAVEMENT
  - ② EXISTING 4" AGGREGATE BASE
  - ③ EXISTING B6.24 CONC. CURB & GUTTER
  - ④ EXISTING PIPE UNDERDRAINS, 6"
  - ⑤ EXISTING 5' WIDE PCC SIDEWALK, 4"

**EXISTING TYPICAL SECTIONS**

**FULLERTON ROAD WIDENING  
VILLAGE OF SWANSEA  
ST. CLAIR COUNTY, ILLINOIS**

REV.	DATE	DESCRIPTION
△		
△		
△		

PLAN STATUS:  
**FINAL**

ISSUED FOR REVIEW     ISSUED FOR BIDDING  
 ISSUED FOR CONSTR.     RECORD DRAWING

DRAWN BY: JJV	SHEET
DESIGNED BY: JJV	<b>5</b>
CHECKED BY: RSD	OF 69 SHEETS
APPROVED BY: JJV	PROJECT DESCRIPTION
PROJECT NUMBER: T07050149	