

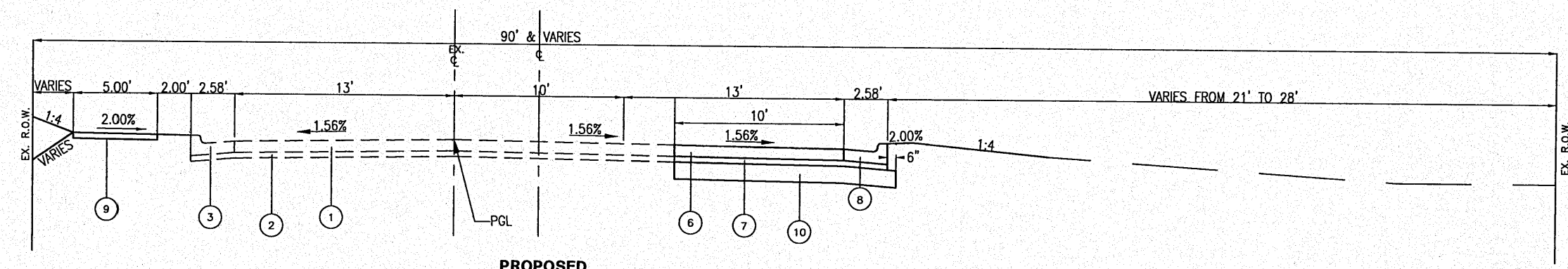
FAU ROUTE	SECTION	COUNTY
9257	06-00011-02-RP	ST. CLAIR
CONTRACT NO. 97448		ILLINOIS

THOUVENOT, WADE & MOERCHEN, INC.
ENGINEERS ♦ SURVEYORS ♦ PLANNERS

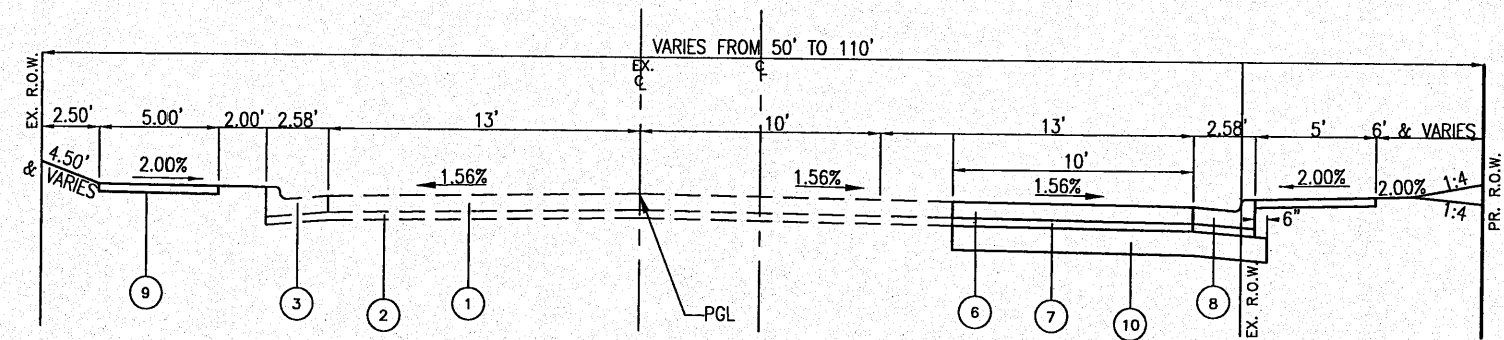


- CORPORATE OFFICE**
4340 OLD COLLINSVILLE RD.
SWANSEA, ILLINOIS 62226
TEL (618) 624-4488
FAX (618) 624-6688
info@twm-inc.com
- CARBONDALE OFFICE**
206 WEST COLLEGE STREET
CARBONDALE, ILLINOIS 62901
TEL (618) 549-8944
FAX (618) 549-8450
info@twm-inc.com
- EDWARDSVILLE OFFICE**
10158 CENTURY DRIVE
EDWARDSVILLE, ILLINOIS 62025
TEL (618) 656-4040
FAX (618) 656-4343
info@twm-inc.com
- ST. CHARLES OFFICE**
400 NORTH 5TH ST., SUITE 101
ST. CHARLES, MISSOURI 63301
TEL (636) 724-8300
FAX (636) 724-8304
info@twm-inc.com
- WATERLOO OFFICE**
113 SOUTH MAIN STREET
WATERLOO, ILLINOIS 62298
TEL (618) 939-5050
FAX (618) 939-3938
info@twm-inc.com

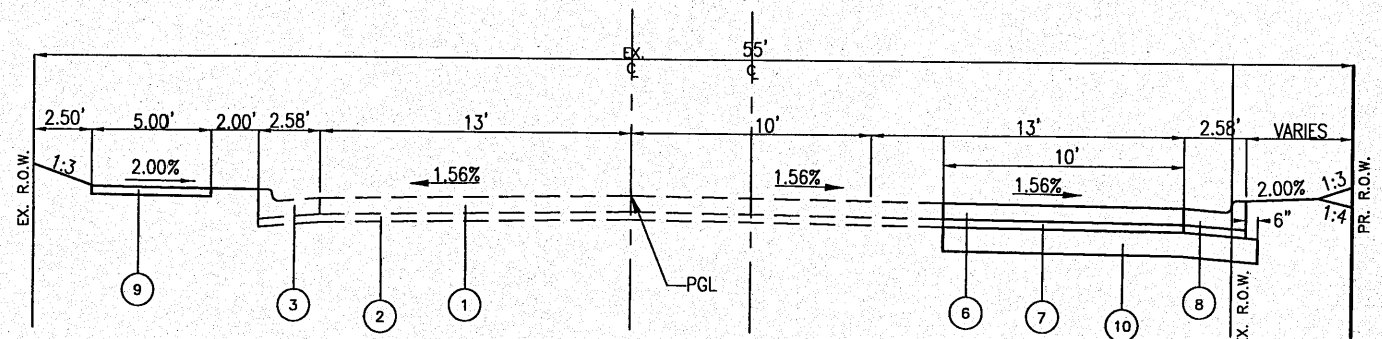
PROFESSIONAL REGISTRATIONS	LICENSE NO.
ILLINOIS PROFESSIONAL DESIGN FIRM	184-001220
PROFESSIONAL ENGINEERING CORP.	62-033370
PROFESSIONAL STRUCTURAL ENGR. CORP.	81-000202
ILLINOIS PROF. LAND SURVEYING CORP.	048-000029
MISSOURI PROFESSIONAL ENGR. CORP.	NC 001528
MISSOURI LAND SURVEYING CORP.	NC 000348



PROPOSED
STA. 24+08.11 TO STA. 26+88.20



PROPOSED
STA. 23+66.04 TO STA. 24+08.11



PROPOSED
STA. 19+08.35 TO STA. 23+66.04

- LEGEND**
- ① EXISTING 8" PCC PAVEMENT
 - ② EXISTING 4" AGGREGATE BASE
 - ③ EXISTING B6.24 CONC. CURB & GUTTER
 - ④ EXISTING PIPE UNDERDRAINS, 6"
 - ⑤ EXISTING 5' WIDE PCC SIDEWALK, 4"
 - ⑥ PROPOSED PCC PAVEMENT, 8"
 - ⑦ PROPOSED SUBBASE GRANULAR MATERIAL TYPE A, 4"
 - ⑧ COMB. CONC. CURB & GUTTER TYPE B-6.24
 - ⑨ PROPOSED 5' WIDE PCC SIDEWALK, 4"
 - ⑩ PROPOSED LIME MODIFIED SOIL, 12"

PROPOSED TYPICAL SECTIONS

PROJECT: FULLERTON ROAD WIDENING VILLAGE OF SWANSEA ST. CLAIR COUNTY, ILLINOIS

REV.	DATE	DESCRIPTION
△		
△		
△		

PLAN STATUS: **FINAL**

ISSUED FOR REVIEW ISSUED FOR BIDDING
 ISSUED FOR CONSTR. RECORD DRAWING

DRAWN BY: JUV SHEET
DESIGNED BY: JUV **7**
CHECKED BY: SJK OF 69 SHEETS
APPROVED BY: JUV PROJECT DESCRIPTION
PROJECT NUMBER: T07050149

Z:\050149\Fullerton Road\DWG\Construction Plans\050149TYP-PROPOSED.dwg Plotted By: mchamber