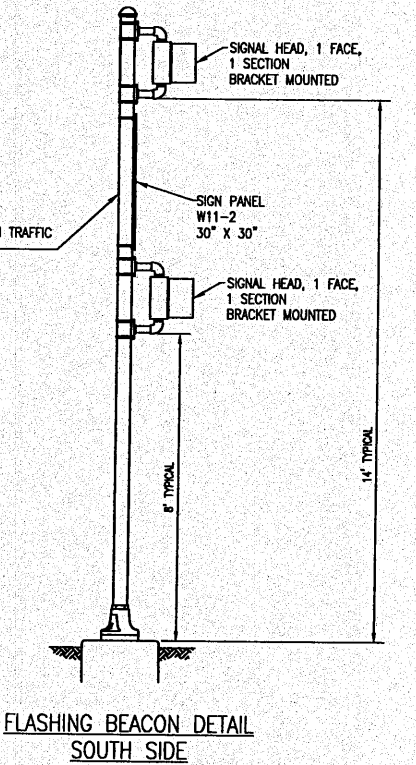
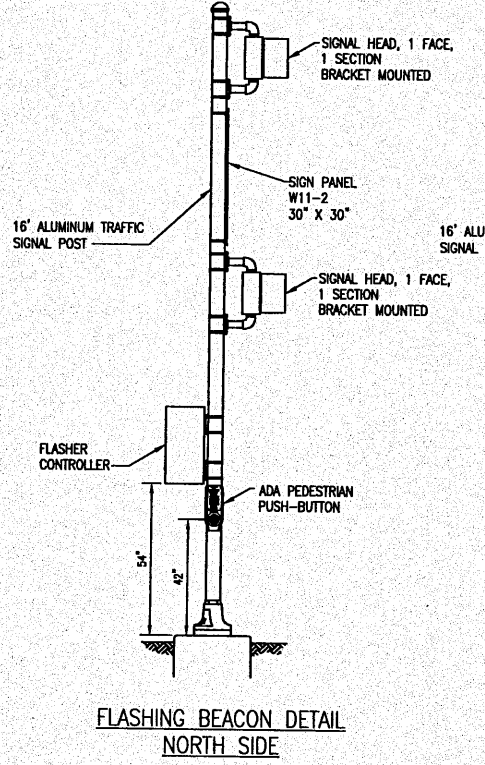
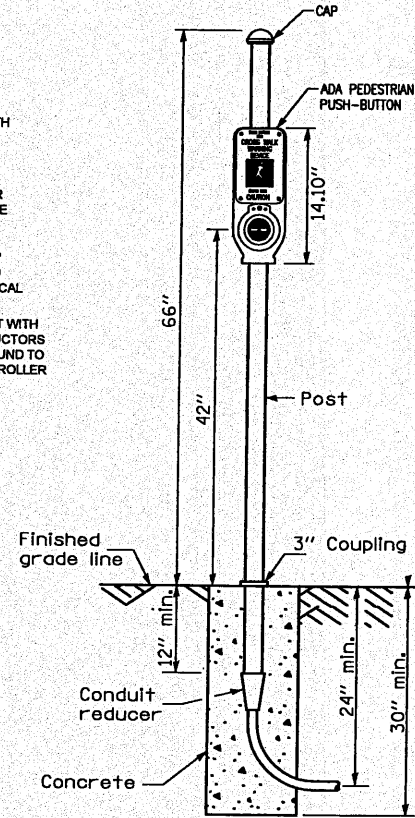
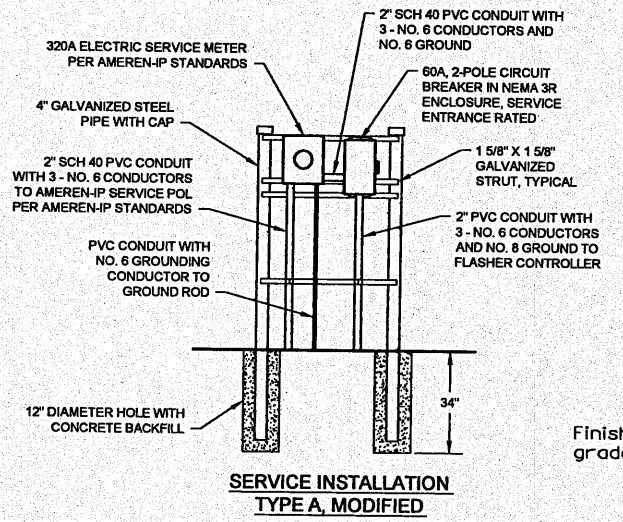


- LEGEND**
- PROPOSED FLASHING BEACON ON 16' POST (SEE DETAIL)
 - PROPOSED FLASHER CONTROLLER, SPECIAL (SEE DETAIL)
 - PROPOSED PEDESTRIAN PUSHBUTTON POST
 - PROPOSED HANDHOLE
 - PROPOSED PVC CONDUIT IN TRENCH "T" OR PUSHED "P", SIZE SPECIFIED
 - SERVICE INSTALLATION TYPE A, MODIFIED

FHW ROUTE	SECTION	COUNTY
9257	06-00011-02-RP	ST. CLAIR
CONTRACT NO. 97448		ILLINOIS

THOUVENOT, WADE & MOERCHEN, INC.
ENGINEERS ♦ SURVEYORS ♦ PLANNERS

- TWM**
- CORPORATE OFFICE**
4940 OLD COLLINSVILLE RD.
SWANSEA, ILLINOIS 62226
TEL (618) 624-4488
FAX (618) 624-6888
info@twm-inc.com
 - CARBONDALE OFFICE**
206 WEST COLLEGE STREET
CARBONDALE, ILLINOIS 62901
TEL (618) 549-8844
FAX (618) 549-8450
info@twm-inc.com
 - EDWARDSVILLE OFFICE**
10158 CENTURY DRIVE
EDWARDSVILLE, ILLINOIS 62025
TEL (618) 656-4040
FAX (618) 656-4343
info@twm-inc.com
 - ST. CHARLES OFFICE**
400 NORTH 5TH ST., SUITE 101
ST. CHARLES, MISSOURI 63301
TEL (636) 724-8300
FAX (636) 724-8304
info@twm-inc.com
 - WATERLOO OFFICE**
113 SOUTH MAIN STREET
WATERLOO, ILLINOIS 62298
TEL (618) 939-5050
FAX (618) 939-3938
info@twm-inc.com



PROFESSIONAL REGISTRATIONS	LICENSE NO.
ILLINOIS PROFESSIONAL DESIGN FIRM	184-001220
PROFESSIONAL ENGINEERING CORP.	62-033370
PROFESSIONAL STRUCTURAL ENGR. CORP.	01-005202
ILLINOIS PROF. LAND SURVEYING CORP.	048-000028
MISSOURI PROFESSIONAL ENGR. CORP.	NC 001528
MISSOURI LAND SURVEYING CORP.	NC 000346

FLASHING BEACON DETAIL

PROJECT: FULLERTON ROAD WIDENING VILLAGE OF SWANSEA ST. CLAIR COUNTY, ILLINOIS

REV.	DATE	DESCRIPTION
△		
△		
△		

PLAN STATUS: **FINAL**

ISSUED FOR REVIEW ISSUED FOR BIDDING
 ISSUED FOR CONSTR. RECORD DRAWING

DRAWN BY: BLR	SHEET
DESIGNED BY: BLR	38
CHECKED BY: MJK	OF 69 SHEETS
APPROVED BY: JJV	PROJECT DESCRIPTION
PROJECT NUMBER: T07050149	