

SECTION COUNTY
CONTRACT NO. 97448 ILLINOIS

THOMAS J. WADE & MOERCHEN, INC.
ENGINEERS • SURVEYORS • PLANNERS



- CORPORATE OFFICE
4940 OLD COLLINSVILLE RD.
SWANSEA, ILLINOIS 62226
TEL (618) 624-4488
FAX (618) 624-6688
info@twm-inc.com
- CARBONDALE OFFICE
206 WEST COLLEGE STREET
CARBONDALE, ILLINOIS 62901
TEL (618) 549-8844
FAX (618) 549-8450
info@twm-inc.com
- EDWARDSVILLE OFFICE
1015B CENTURY DRIVE
EDWARDSVILLE, ILLINOIS 62025
TEL (618) 656-4040
FAX (618) 656-4343
info@twm-inc.com
- ST. CHARLES OFFICE
400 NORTH 5TH ST., SUITE 101
ST. CHARLES, MISSOURI 63301
TEL (636) 724-8300
FAX (636) 724-8304
info@twm-inc.com
- WATERLOO OFFICE
113 SOUTH MAIN STREET
WATERLOO, ILLINOIS 62298
TEL (618) 939-5059
FAX (618) 939-3938
info@twm-inc.com

PROFESSIONAL REGISTRATIONS	LICENSE NO.
ILLINOIS PROFESSIONAL DESIGN FIRM	184-001220
PROFESSIONAL ENGINEERING CORP.	62-035370
PROFESSIONAL STRUCTURAL ENGR. CORP.	81-005202
ILLINOIS PROF. LAND SURVEYING CORP.	048-000029
MISSOURI PROFESSIONAL ENGR. CORP.	NC 001528
MISSOURI LAND SURVEYING CORP.	NC 000346

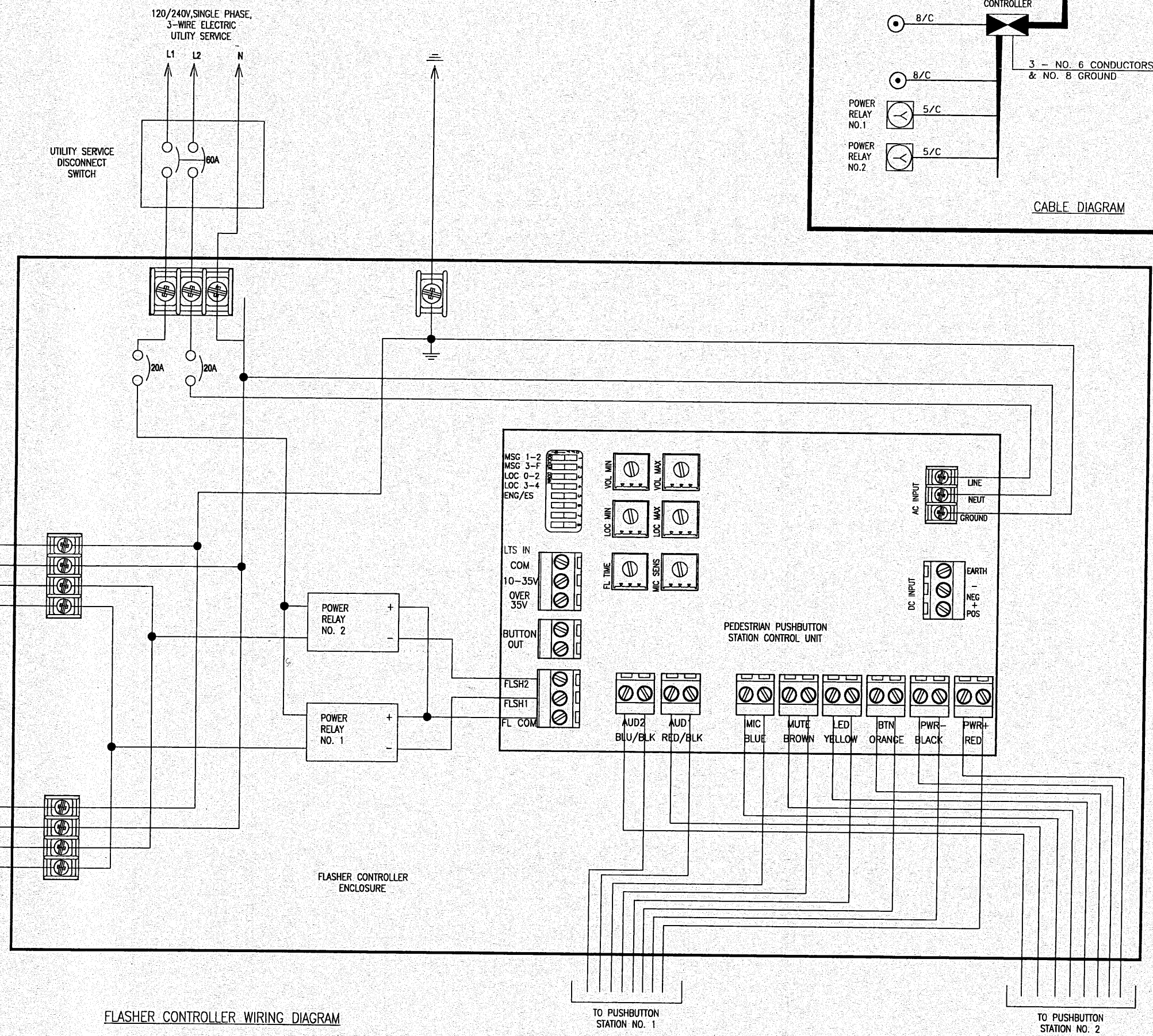
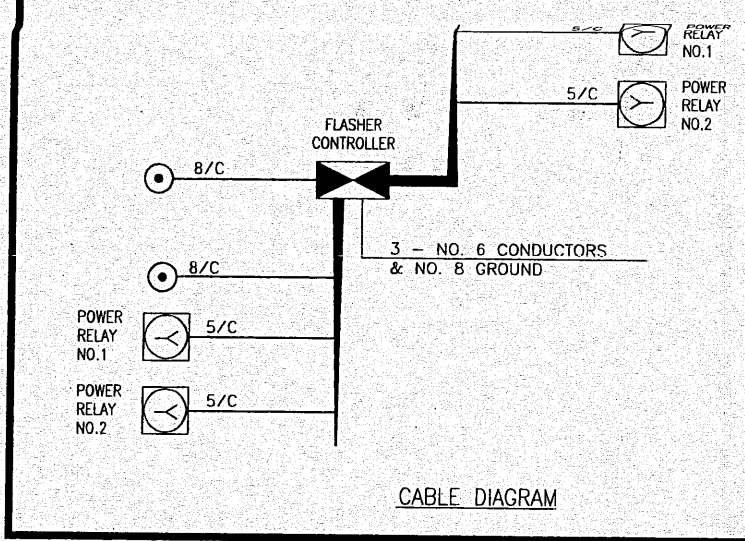
TITLE: FLASHING BEACON DETAIL
PROJECT: FULLERTON ROAD WIDENING VILLAGE OF SWANSEA ST. CLAIR COUNTY, ILLINOIS

REV.	DATE	DESCRIPTION
△		
△		
△		

PLAN STATUS: **FINAL**

ISSUED FOR REVIEW ISSUED FOR BIDDING
 ISSUED FOR CONSTR. RECORD DRAWING

DRAWN BY: BLR SHEET 39
DESIGNED BY: BLR OF 69 SHEETS
CHECKED BY: MJK
APPROVED BY: JVV PROJECT DESCRIPTION
PROJECT NUMBER: T07050149



TO NORTH FLASHING SIGNAL

TO SOUTH FLASHING SIGNAL

TO PUSHBUTTON STATION NO. 1

TO PUSHBUTTON STATION NO. 2