

FW ROUTE	SECTION	COUNTY
9257	06-00011-02-RP	ST. CLAIR
CONTRACT NO. 97448		ILLINOIS

**THOUVENOT, WADE & MOERCHEN, INC.**  
ENGINEERS ♦ SURVEYORS ♦ PLANNERS



**CORPORATE OFFICE**  
4940 OLD COLLINSVILLE RD.  
SWANSEA, ILLINOIS 62226  
TEL (618) 624-4488  
FAX (618) 624-6688  
info@twm-inc.com

**CARBONDALE OFFICE**  
206 WEST COLLEGE STREET  
CARBONDALE, ILLINOIS 62901  
TEL (618) 549-8844  
FAX (618) 549-8450  
info@twm-inc.com

**EDWARDSVILLE OFFICE**  
10158 CENTURY DRIVE  
EDWARDSVILLE, ILLINOIS 62025  
TEL (618) 656-4040  
FAX (618) 656-4343  
info@twm-inc.com

**ST. CHARLES OFFICE**  
400 NORTH 5TH ST., SUITE 101  
ST. CHARLES, MISSOURI 63301  
TEL (636) 724-8300  
FAX (636) 724-8304  
info@twm-inc.com

**WATERLOO OFFICE**  
113 SOUTH MAIN STREET  
WATERLOO, ILLINOIS 62298  
TEL (618) 939-5050  
FAX (618) 939-3938  
info@twm-inc.com

PROFESSIONAL REGISTRATIONS	LICENSE NO.
ILLINOIS PROFESSIONAL DESIGN FIRM	184-001220
PROFESSIONAL ENGINEERING CORP.	62-035370
PROFESSIONAL STRUCTURAL ENGR. CORP.	61-005502
ILLINOIS PROF. LAND SURVEYING CORP.	048-000029
MISSOURI PROFESSIONAL ENGR. CORP.	MC 001528
MISSOURI LAND SURVEYING CORP.	MC 000316

SPECIAL DETAILS

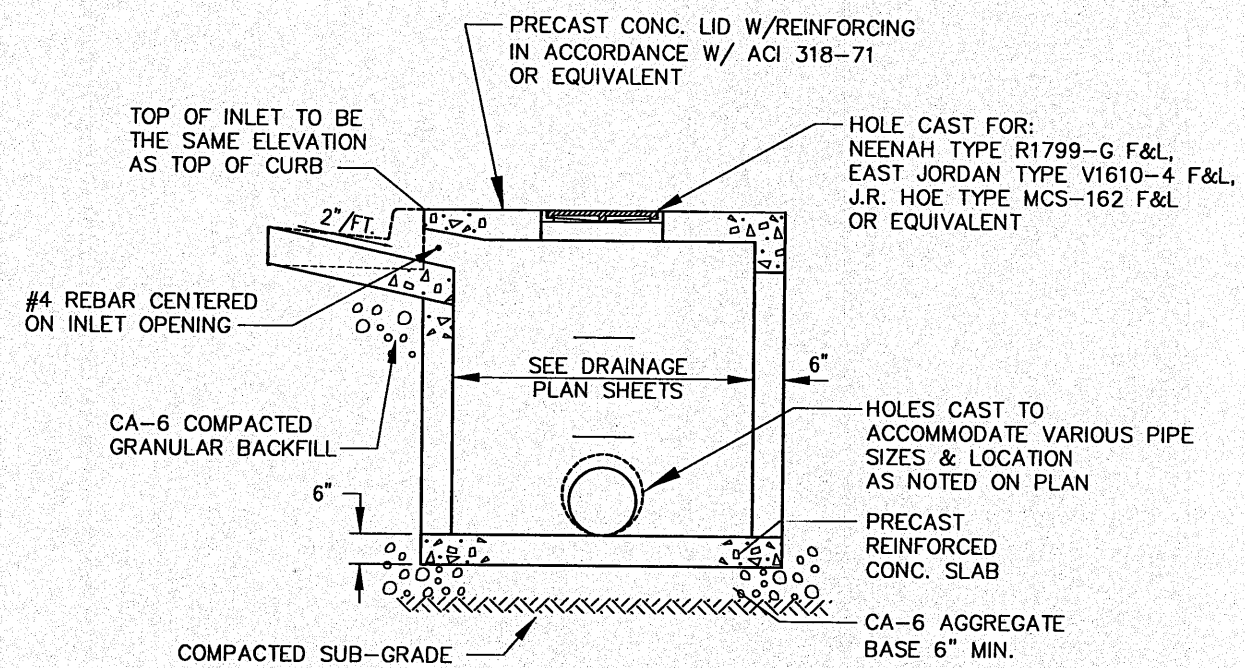
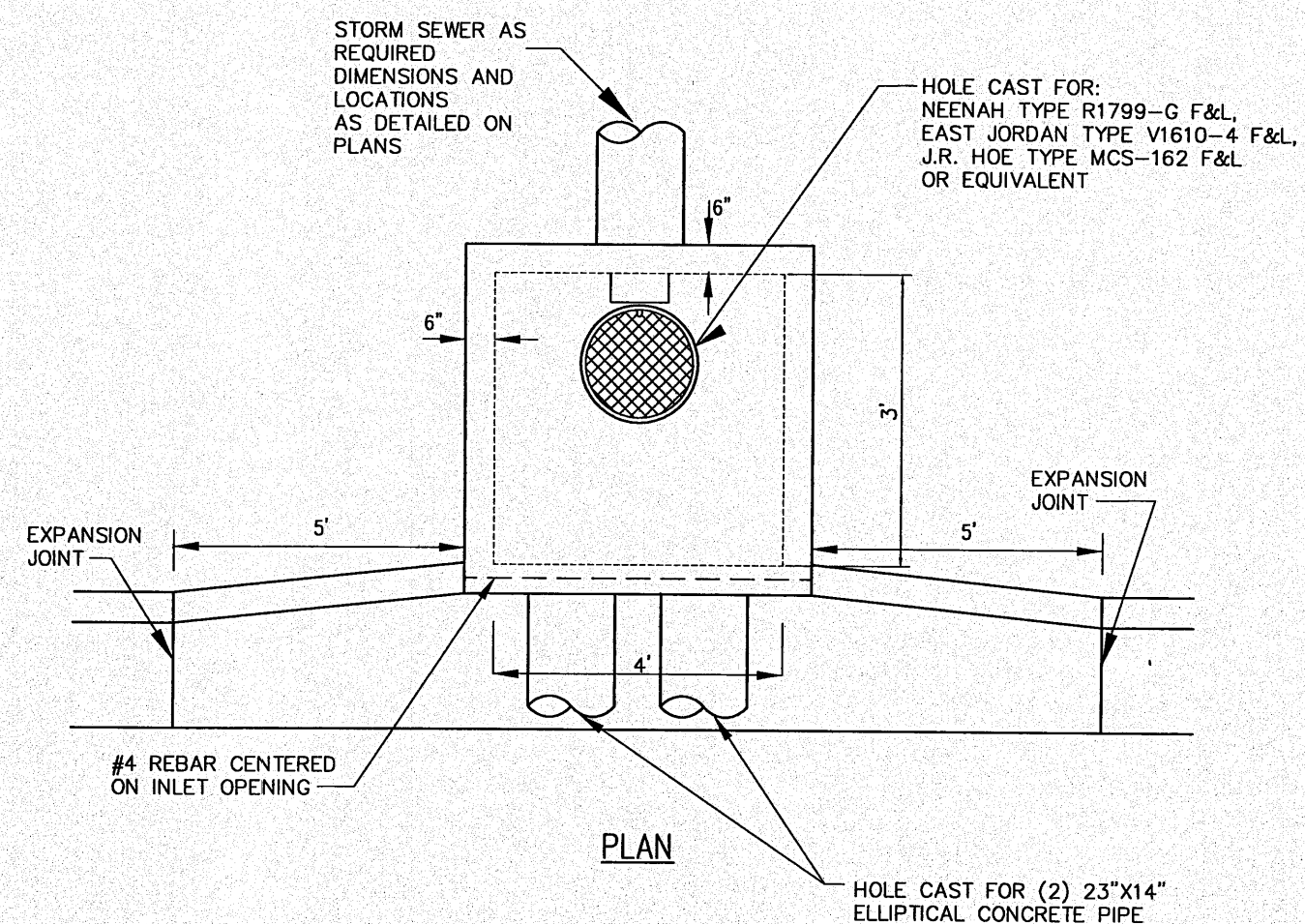
FULLERTON ROAD WIDENING  
VILLAGE OF SWANSEA  
ST CLAIR COUNTY, ILLINOIS

TITLE: PROJECT:

REV.	DATE	DESCRIPTION
△		
△		
△		

PLAN STATUS: **FINAL**

<input checked="" type="checkbox"/> ISSUED FOR REVIEW	<input type="checkbox"/> ISSUED FOR BIDDING
<input type="checkbox"/> ISSUED FOR CONSTR.	<input type="checkbox"/> RECORD DRAWING
DRAWN BY: JJV	SHEET: 41
DESIGNED BY: JJV	OF 69 SHEETS
CHECKED BY: RSD	PROJECT DESCRIPTION:
APPROVED BY: JJV	PROJECT NUMBER:



**SPECIFICATIONS:**  
PRE-CAST INLET SHALL CONFORM TO ASTM C-478

**EXECUTION:**  
ALL WORK SHALL CONFORM TO ILLINOIS STANDARD SPECIFICATIONS FOR ROAD AND BRIDGE CONSTRUCTION.

INLET, SPECIAL #1