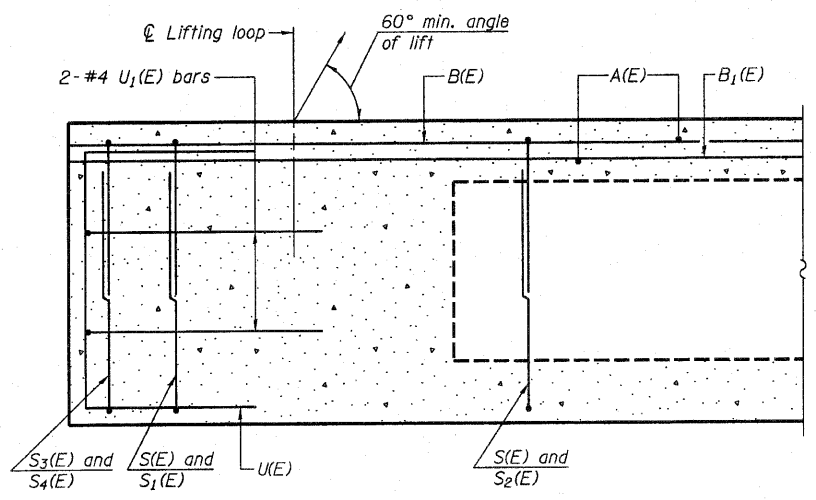


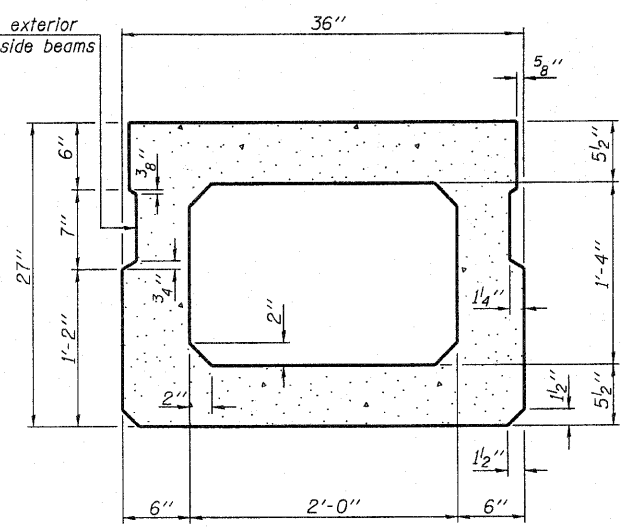
ROUTE NO.	SECTION	COUNTY	TOTAL SHEETS	SHEET NO.
T.R. 442	04-0618-00-BR	MARION	13	6
FEDERAL AID PROJECT		ILLINOIS	PROJECT	

CONTRACT NO. 97451

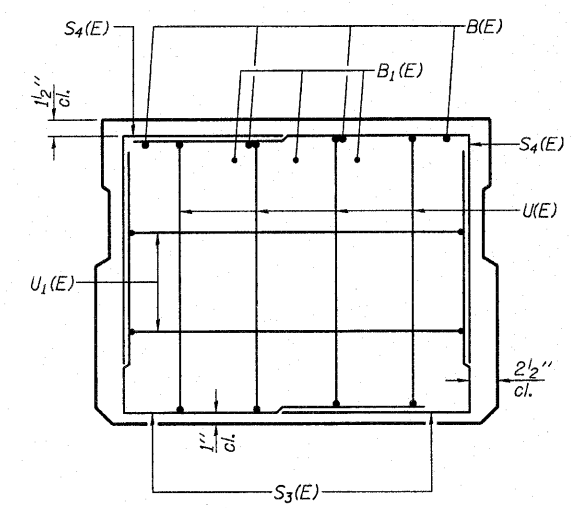


SECTION C-C

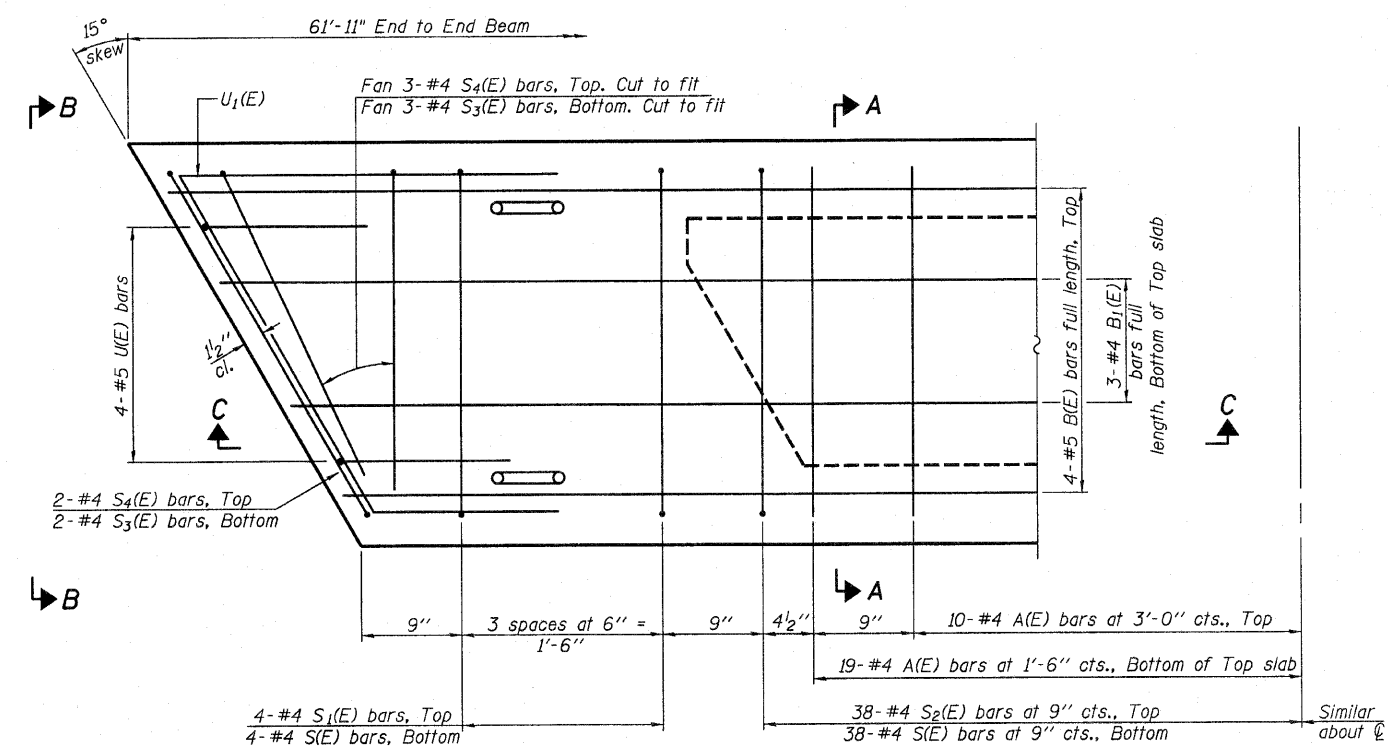
Omit key on exterior face of outside beams



SECTION A-A
(Showing dimensions)

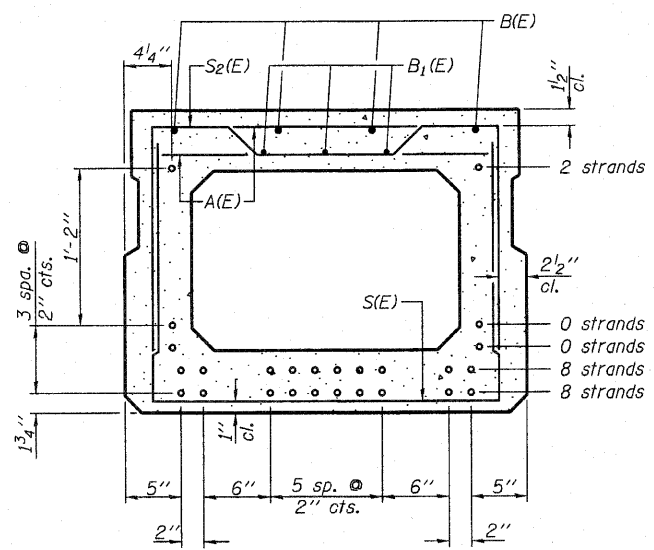


VIEW B-B



PLAN VIEW

Note: Spacing of S(E) and S2(E) bars may be adjusted up to 4 inches in the immediate area of the transverse tie diaphragms to miss the block outs for the transverse ties.



SECTION A-A
(Showing reinforcement and permissible strand locations)

18 - 1/2" Strands
Note: Place the number of strands specified in each row symmetrically about the centerline of beam in the permissible strand locations shown.

BAR LIST
ONE BEAM ONLY
(For information only)

Bar	No.	Size	Length	Shape
A(E)	58	#4	2'-7"	—
B(E)	4	#5	61'-8"	—
B1(E)	3	#4	61'-8"	—
S(E)	84	#4	6'-5"	┘
S1(E)	8	#4	5'-11"	┘
S2(E)	76	#4	6'-2"	┘
S3(E)	10	#4	4'-6"	┘
S4(E)	10	#4	4'-3"	┘
U(E)	8	#5	4'-6"	┘
U1(E)	4	#4	5'-9"	┘

Note: See sheet 7 for additional details. See sheet 5 for Bill of Material.

RHUTASEL and ASSOCIATES, INC.
CONSULTING ENGINEERS • LAND SURVEYORS
CENTRALIA, ILLINOIS FREEBURG, ILLINOIS

PREPARED FOR:
AECOM
200705485

Date: 10/27/2010
Design: WDL
Drawn: BLT
Job No.: 50810

**P.P.C. DECK BEAM
DETAILS AND SECTIONS**
**24' ROADWAY
27" x 36" BEAMS
RIGHT FORWARD 15° SKEW**