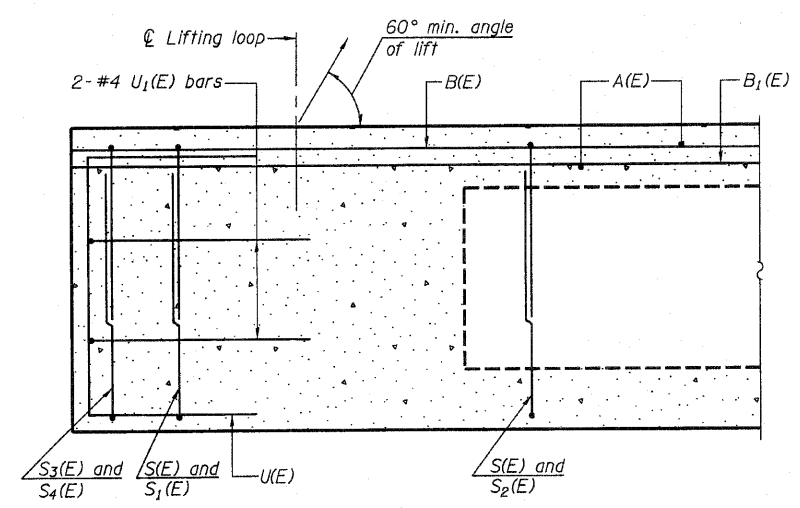


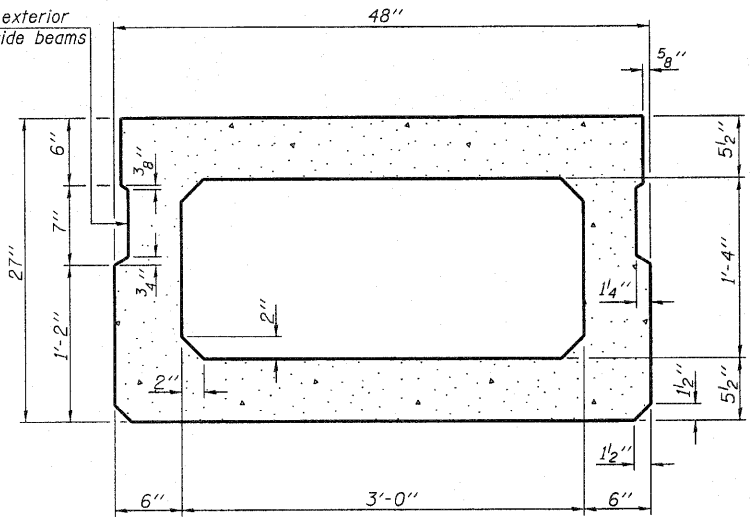
ROUTE NO.	SECTION	COUNTY	TOTAL SHEETS	SHEET NO.
T.R. 442	04-0616-00-BR	MARION	13	8
FEDERAL AID PROJECT		ILLINOIS PROJECT		

CONTRACT NO. 97451

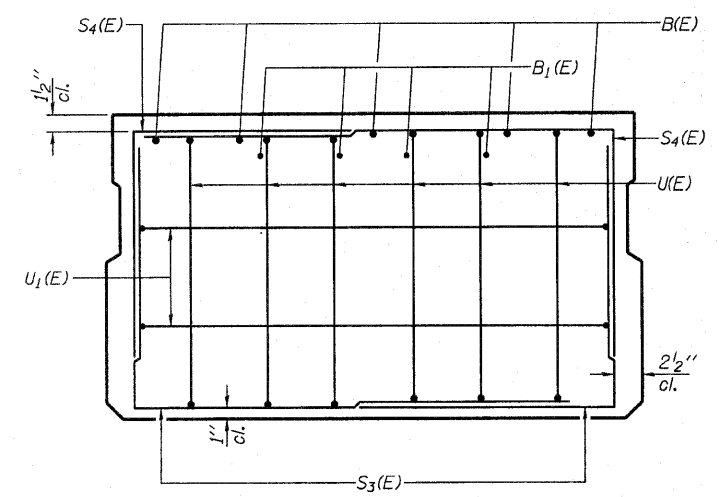


SECTION C-C

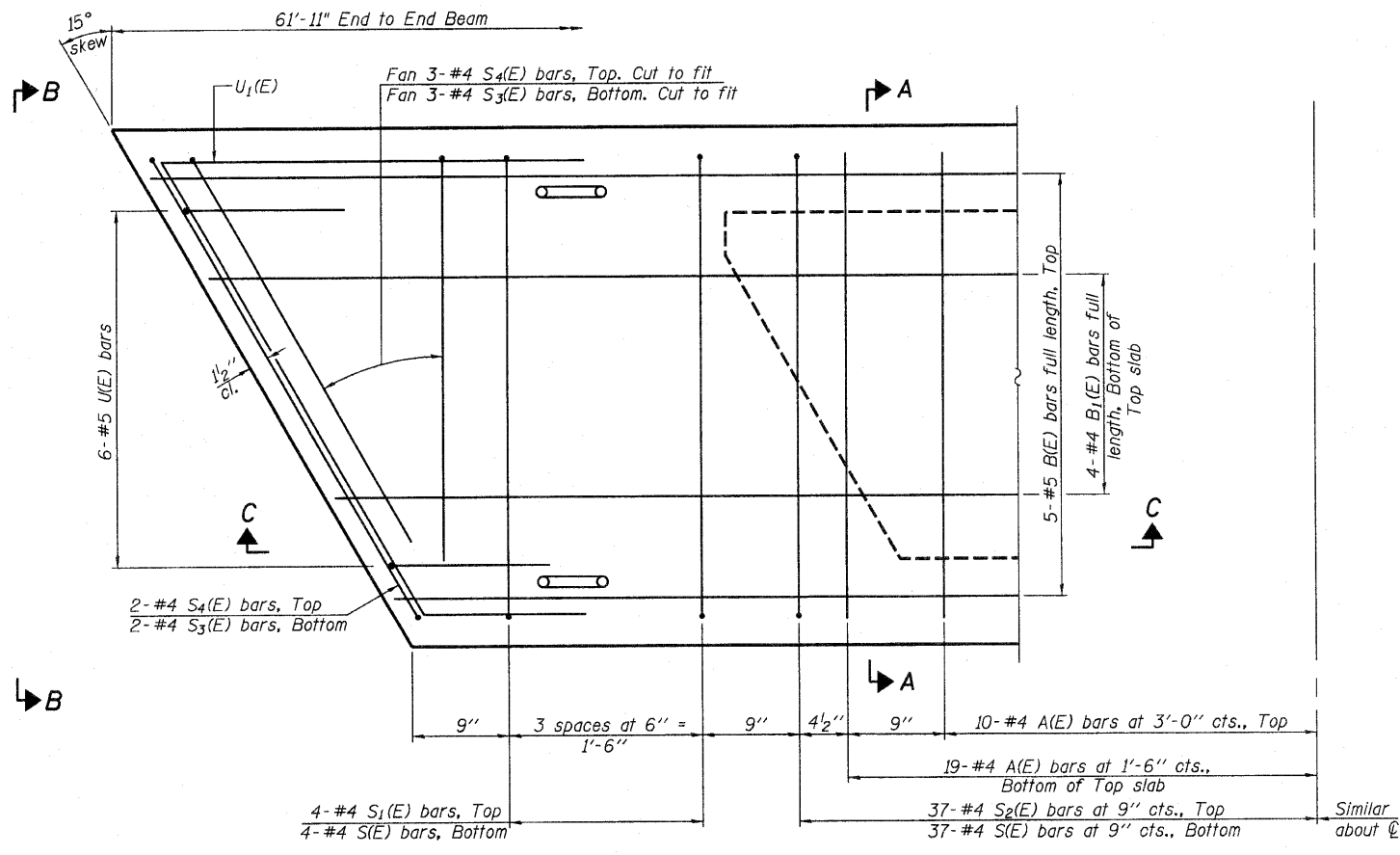
Omit key on exterior face of outside beams



SECTION A-A
(Showing dimensions)

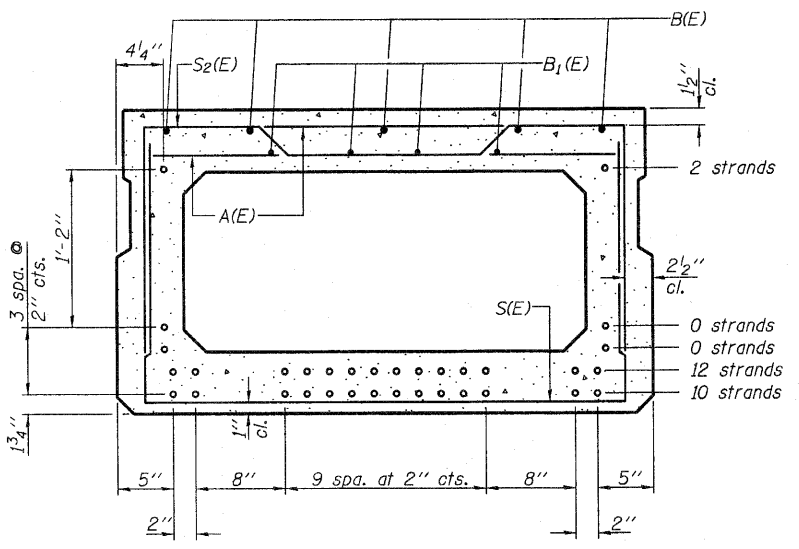


VIEW B-B



PLAN VIEW

Note: Spacing of S(E) and S2(E) bars may be adjusted up to 4 inches in the immediate area of the transverse tie diaphragms to miss the block outs for the transverse ties.



SECTION A-A
(Showing reinforcement and permissible strand locations)

24 - 1/2" Strands

Note: Place the number of strands specified in each row symmetrically about the centerline of beam in the permissible strand locations shown.

BAR LIST
ONE BEAM ONLY
(For information only)

Bar	No.	Size	Length	Shape
A(E)	58	#4	3'-7"	—
B(E)	5	#5	61'-8"	—
B1(E)	4	#4	61'-8"	—
S(E)	82	#4	7'-5"	┌
S1(E)	8	#4	6'-11"	┌
S2(E)	74	#4	7'-2"	┌
S3(E)	10	#4	5'-7"	┌
S4(E)	10	#4	5'-4"	┌
U(E)	12	#5	4'-6"	┌
U1(E)	4	#4	7'-1"	┌

Note: See sheet 9 for additional details.
See sheet 5 for Bill of Material.