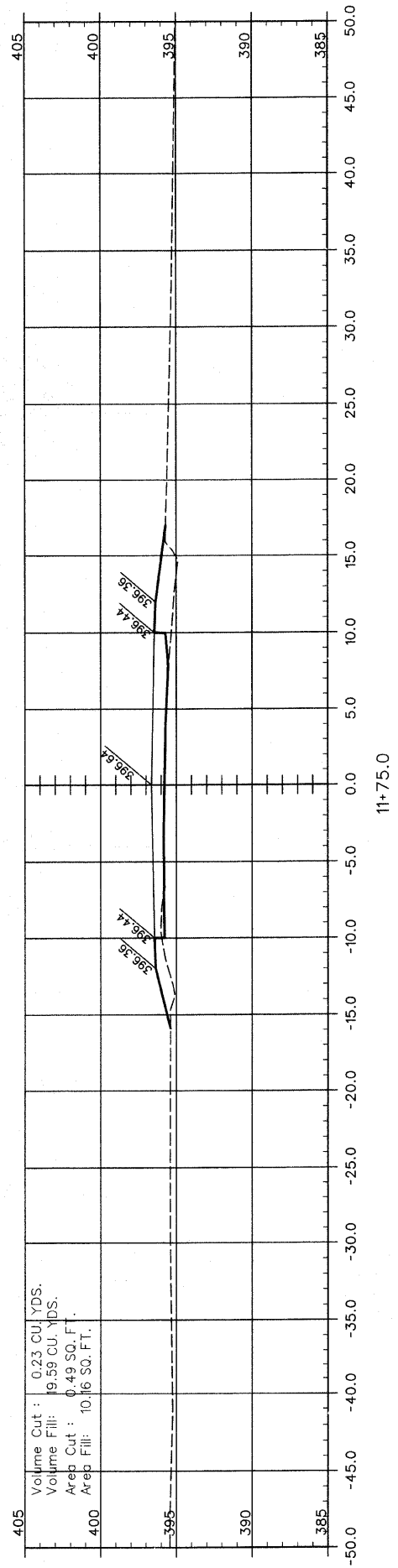
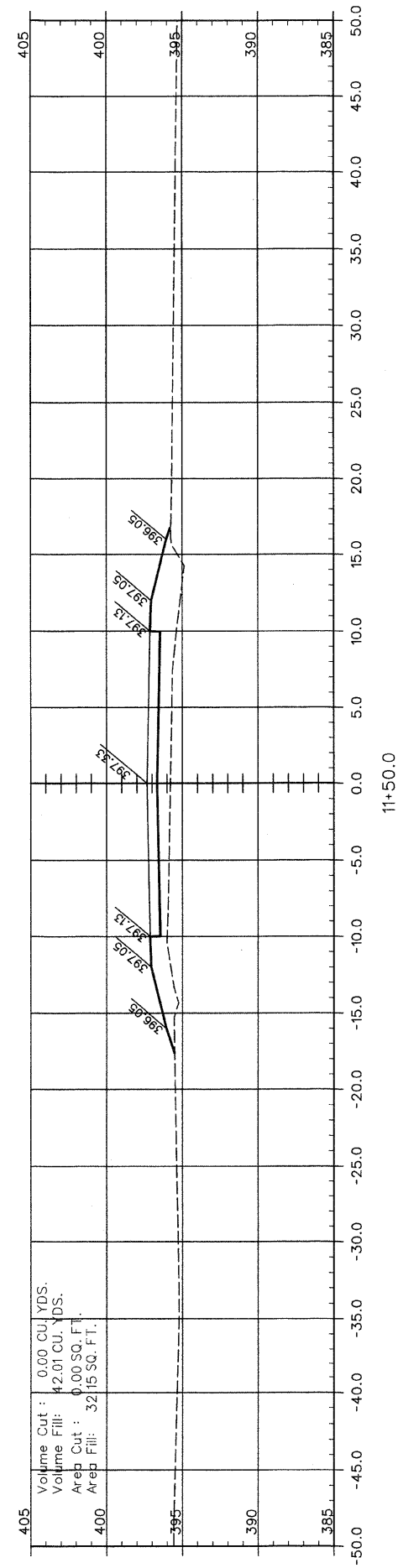


ROUTE	SECTION	COUNTY	TOTAL SHEETS	SHEET NUMBER
T.R. 265	08-01190-00-BR	UNION	19	7
JOB NO. C-99-542-08		PROJECT NO. BROS-181(045)		
LINGLE CREEK ROAD		CONTRACT NO. 99359		



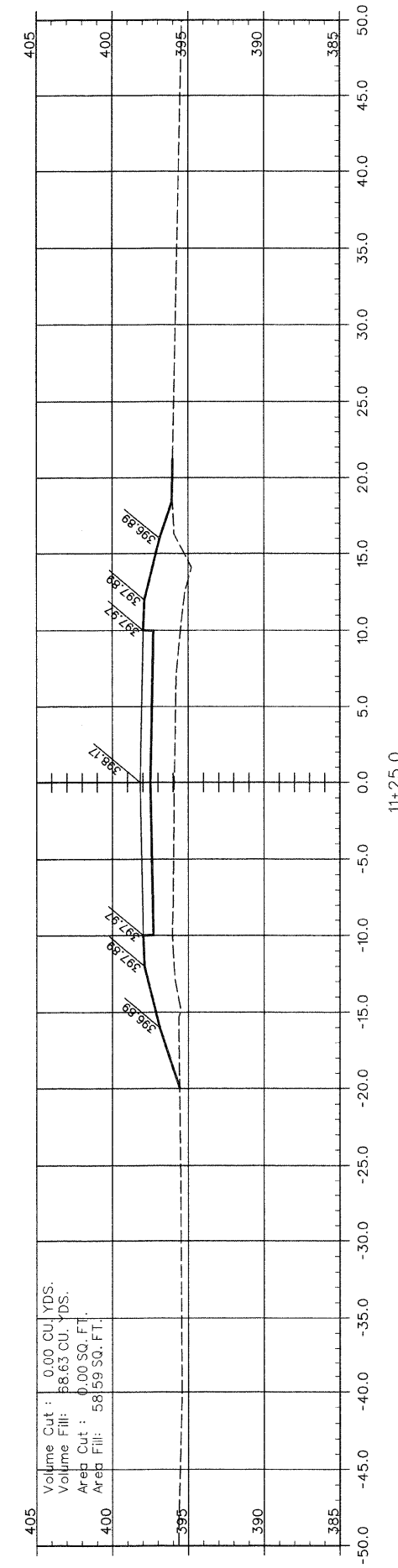
Volume Cut : 0.23 CU. YDS.  
 Volume Fill: 19.59 CU. YDS.  
 Area Cut : 0.49 SQ. FT.  
 Area Fill: 10.16 SQ. FT.

11+75.0



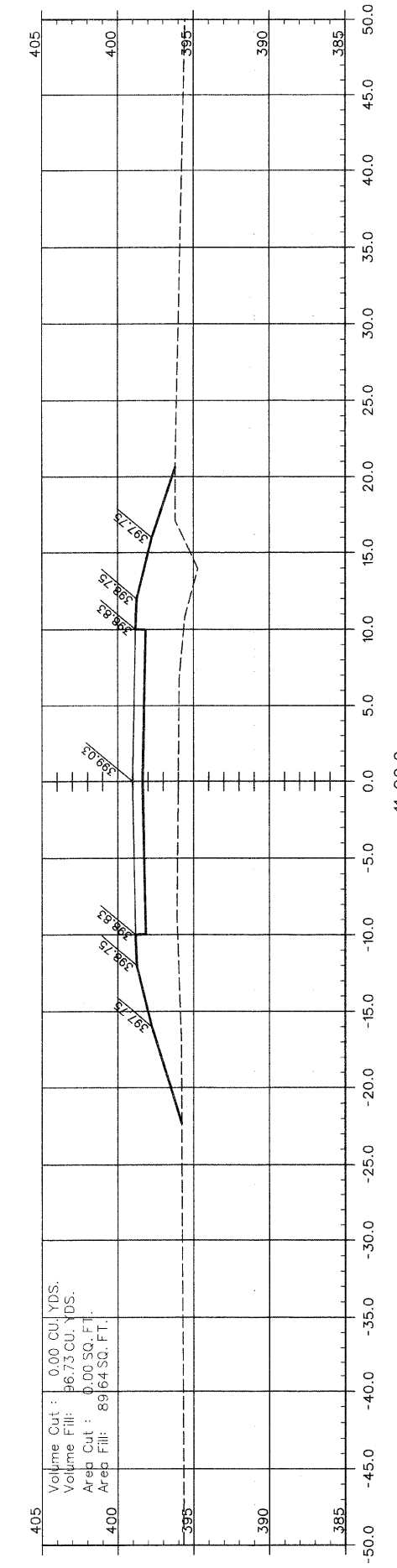
Volume Cut : 0.00 CU. YDS.  
 Volume Fill: 42.01 CU. YDS.  
 Area Cut : 0.00 SQ. FT.  
 Area Fill: 32.15 SQ. FT.

11+50.0



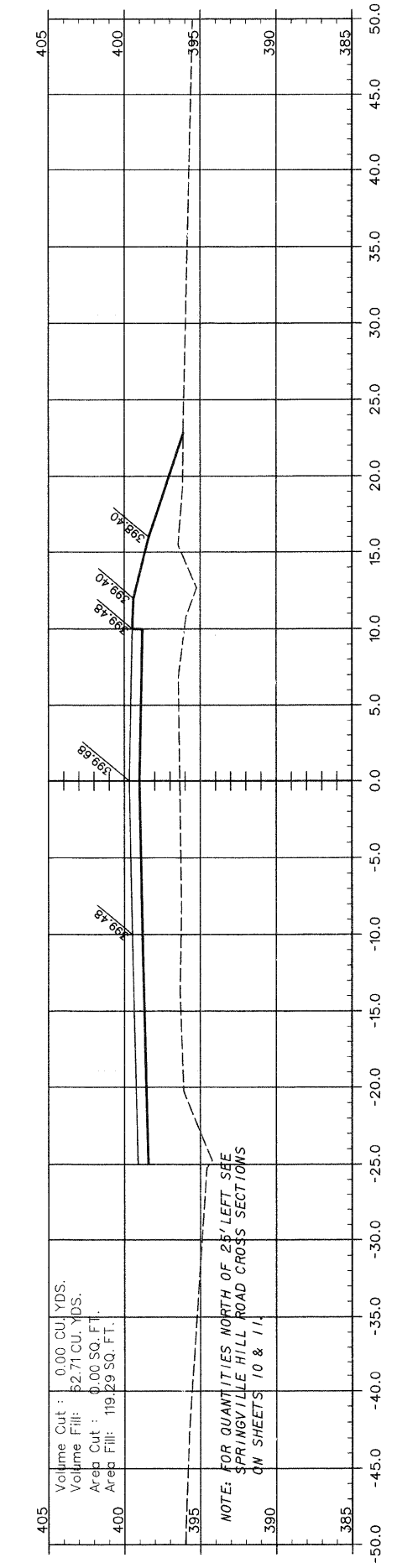
Volume Cut : 0.00 CU. YDS.  
 Volume Fill: 88.63 CU. YDS.  
 Area Cut : 0.00 SQ. FT.  
 Area Fill: 58.59 SQ. FT.

11+25.0



Volume Cut : 0.00 CU. YDS.  
 Volume Fill: 86.73 CU. YDS.  
 Area Cut : 0.00 SQ. FT.  
 Area Fill: 89.64 SQ. FT.

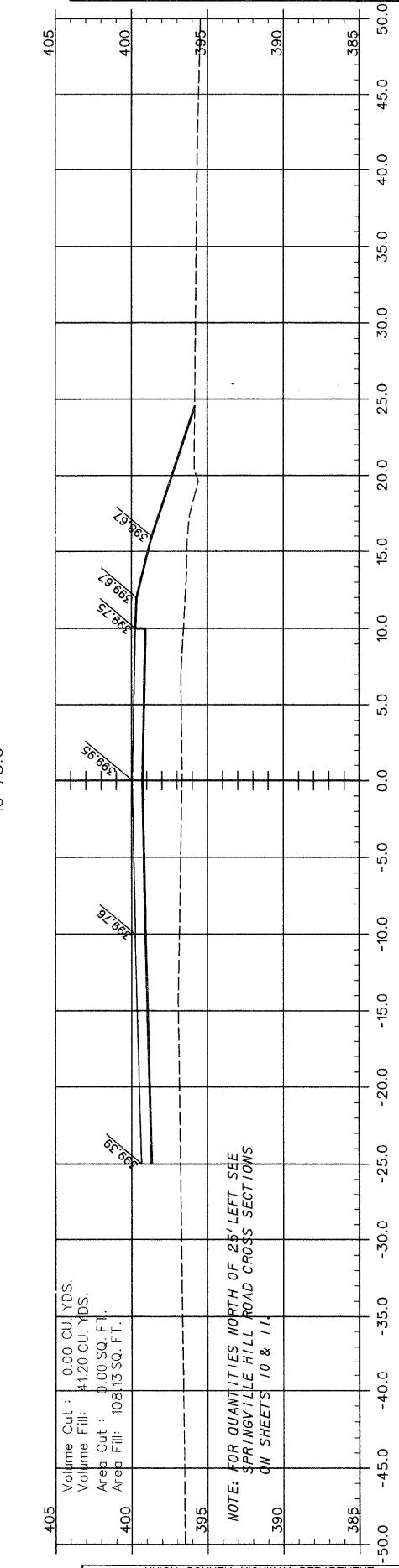
11+00.0



Volume Cut : 0.00 CU. YDS.  
 Volume Fill: 82.71 CU. YDS.  
 Area Cut : 0.00 SQ. FT.  
 Area Fill: 119.29 SQ. FT.

10+75.0

NOTE: FOR QUANTITIES NORTH OF 25' LEFT SEE SPRINGVILLE HILL ROAD CROSS SECTIONS ON SHEETS 10 & 11.



Volume Cut : 0.00 CU. YDS.  
 Volume Fill: 41.20 CU. YDS.  
 Area Cut : 0.00 SQ. FT.  
 Area Fill: 108.13 SQ. FT.

NOTE: FOR QUANTITIES NORTH OF 25' LEFT SEE SPRINGVILLE HILL ROAD CROSS SECTIONS ON SHEETS 10 & 11.