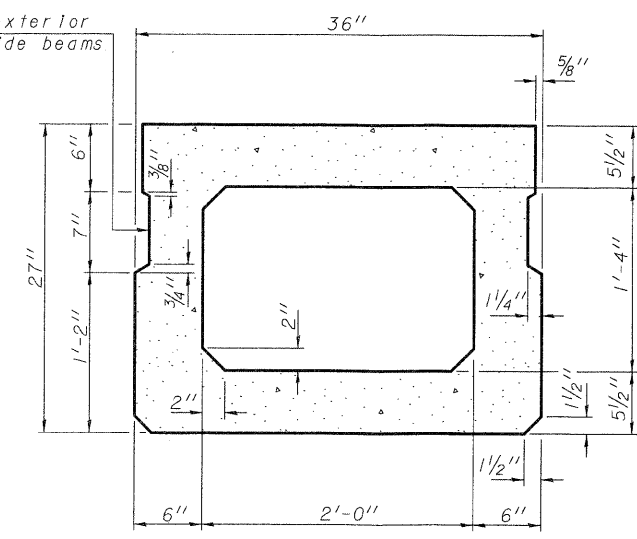
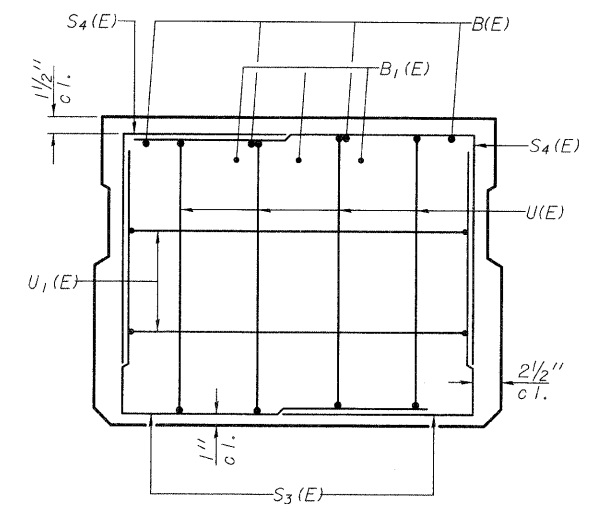


**SECTION C-C**

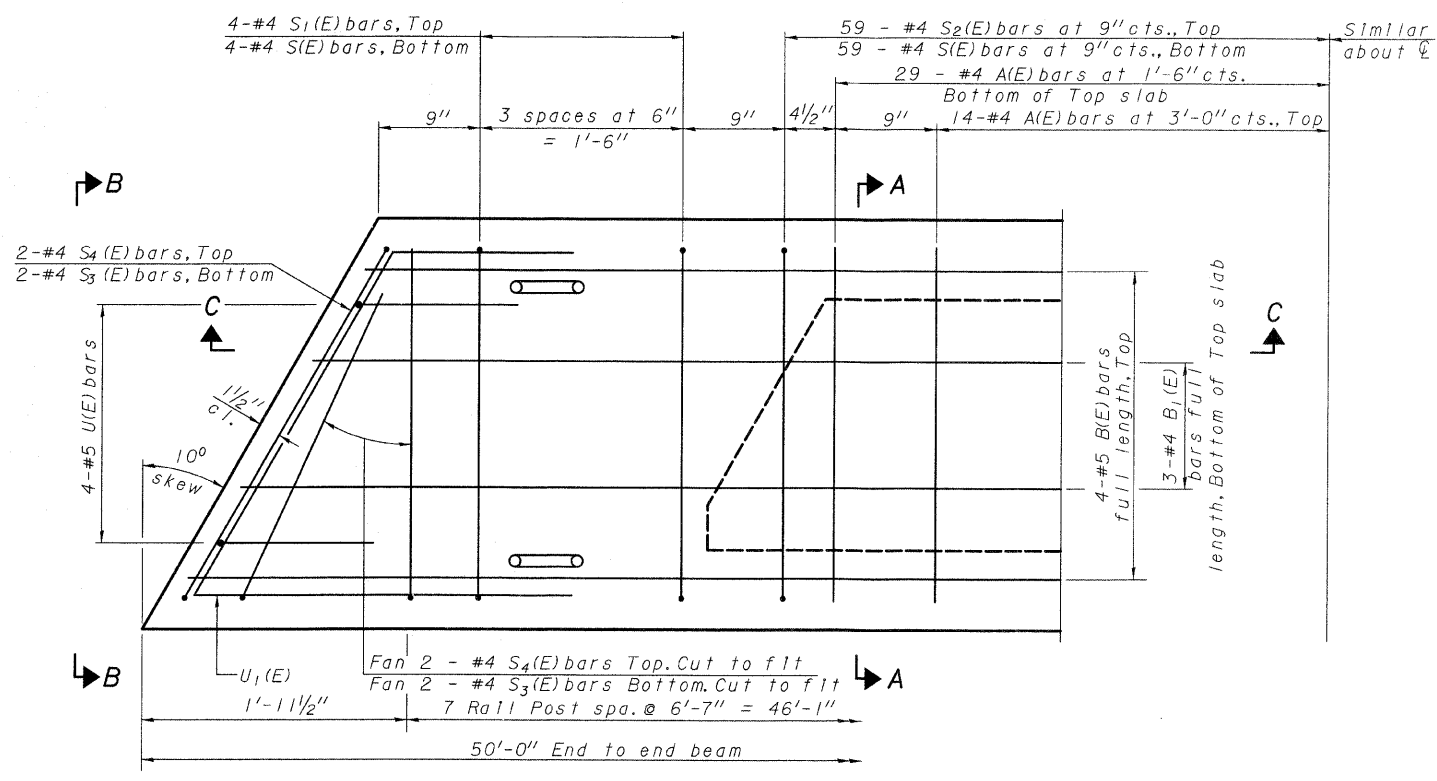
Omit key on exterior face of outside beams



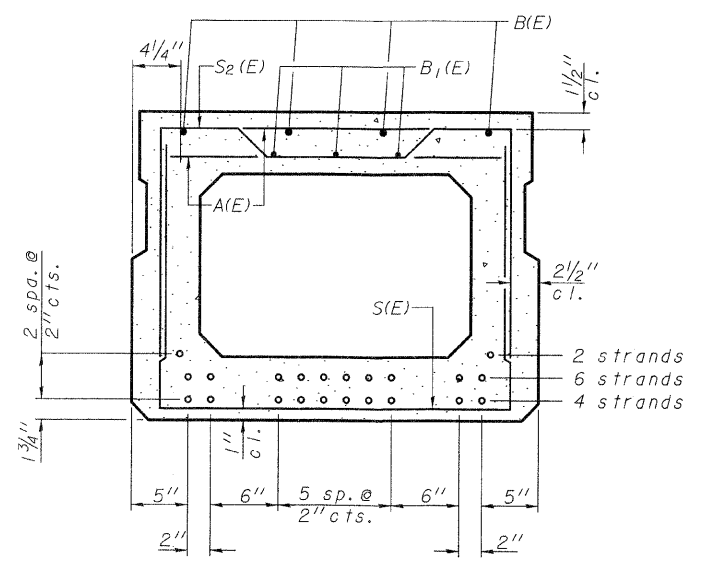
**SECTION A-A**  
(Showing dimensions)



**VIEW B-B**



**PLAN VIEW**



**SECTION A-A**  
(Showing reinforcement and permissible strand locations)  
Note: Place the number of strands specified in each row symmetrically about the centerline of beam in the permissible strand locations shown.

**BAR LIST**  
**ONE BEAM ONLY**

(For information only)

Bar	No.	Size	Length	Shape
A(E)	43	#4	2'-7"	—
B(E)	8	#5	26'-3"	—
B1(E)	9	#4	18'-0"	—
S(E)	67	#4	6'-5"	┌
S1(E)	8	#4	5'-11"	┌
S2(E)	59	#4	6'-2"	┌
S3(E)	4	#4	4'-9"	┌
S4(E)	4	#4	4'-6"	┌
U(E)	8	#5	4'-6"	┌
U1(E)	4	#4	5'-8"	┌

Note: See sheet 13 of 19 for additional details and Bill of Material.

Note: Spacing of S(E) and S2(E) bars may be adjusted up to 4" in the immediate area of the transverse tie diaphragms to miss the block outs for the transverse ties.

**MINIMUM BAR LAP**

#4 bar = 2'-0"  
#5 bar = 2'-6"