

SUMMARY OF QUANTITIES			
		CONSTRUCTION CODE	
		11	
CODE NO	ITEM	UNIT	QUANTITY
20100500	TREE REMOVAL, ACRES	ACRE	0.1
20200100	EARTH EXCAVATION	CU YD	280
20300100	CHANNEL EXCAVATION	CU YD	50
40200800	AGGREGATE SURFACE COURSE, TYPE B	TON	207
50100100	REMOVAL OF EXISTING STRUCTURES	EACH	1
50300225	CONCRETE STRUCTURES	CU YD	22.8
50300280	CONCRETE ENCASEMENT	CU YD	2.8
50400305	PRECAST PRESTRESSED CONCRETE DECK BEAMS (17" DEPTH)	SQ FT	1,056
50800105	REINFORCEMENT BARS	POUND	2,400
* 50900205	STEEL RAILING, TYPE S1	FOOT	85
51201400	FURNISHING STEEL PILES HP10X42	FOOT	280
51202305	DRIVING PILES	FOOT	280
51500100	NAME PLATES	EACH	1
67100100	MOBILIZATION	L SUM	1
* 78201000	TERMINAL MARKER - DIRECT APPLIED	EACH	4
> X2501000	SEEDING, CLASS 2 (SPECIAL)	ACRE	0.2
> X2810708	STONE DUMPED RIPRAP, CLASS A4 (SPECIAL)	SQ YD	150

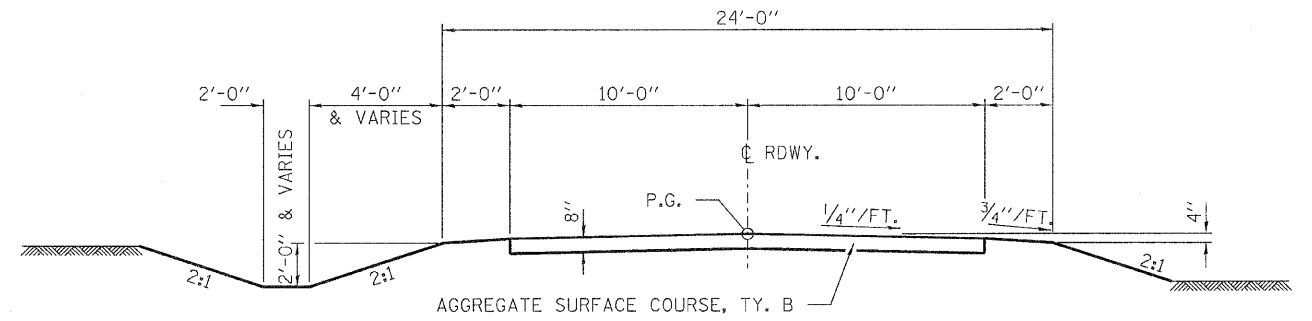
\* SPECIALTY ITEMS  
> SEE SPECIAL PROVISIONS

### GENERAL NOTES

- ALL CONSTRUCTION SHALL BE DONE IN ACCORDANCE WITH THE STATE OF ILLINOIS "STANDARD SPECIFICATIONS FOR ROAD AND BRIDGE CONSTRUCTION, ADOPTED JANUARY 1, 2007," THESE PLANS AND THE SPECIAL PROVISIONS INCLUDED IN THE CONTRACT DOCUMENTS.
- ALL CLEARING AND GRUBBING AND REMOVAL OF EXISTING DRAINAGE STRUCTURES SHALL BE INCLUDED IN CONTRACT. THE REMOVAL OF THE EXISTING AGGREGATE BASE COURSE AND A-3 SURFACE WILL BE PAID FOR AS EARTH EXCAVATION. ALL BITUMINOUS MATERIAL SHALL BE PROPERLY DISPOSED OF AS APPROVED BY THE ENGINEER
- THE LOCATIONS OF EXISTING ELECTRIC POWER LINES, TELEPHONE LINES AND OTHER UTILITIES AS SHOWN ON THE PLANS ARE BASED ON CAREFUL FIELD INVESTIGATION AND THE BEST INFORMATION AVAILABLE, BUT THE LOCATIONS ARE NOT GUARANTEED. IT SHALL BE THE CONTRACTOR'S RESPONSIBILITY TO ASCERTAIN THEIR EXACT LOCATION FROM THE INDIVIDUAL UTILITY COMPANIES AND BY FIELD INSPECTION.
- THE CONTRACTOR SHALL PROTECT AND CAREFULLY PRESERVE ALL SECTION OR SUBSECTION MONUMENTS UNTIL THE OWNER, HIS AGENT, PROFESSIONAL LAND SURVEYOR HAS WITNESSED OR OTHERWISE REFERENCED THEIR LOCATION.
- THE REVISION NUMBER INDICATED FOR THE STANDARDS LISTED IN THE INDEX OF SHEETS SHALL BE USED IN THE CONSTRUCTION OF THIS SECTION.
- THE FOLLOWING RATES OF APPLICATION HAVE BEEN USED IN CALCULATING PLAN QUANTITIES  
 AGGREGATE BASE CSE. 2.05 TON/CU YD  
 STONE DUMPED RIPRAP, CLASS A4 (SPECIAL) 1.75 TON/CU YD
- THE AREA TO BE SEEDING SHALL CONSIST OF ALL EARTH SURFACES DISTURBED DURING CONSTRUCTION AS DIRECTED BY THE ENGINEER. ESTIMATED QUANTITY: SEEDING, CLASS 2 (SPECIAL) = 0.2 ACRES

EARTHWORK SCHEDULE						
LOCATION	EARTH EXCAVATION (CU YD)	SHRINKAGE FACTOR	PERCENT USED	AVAILABLE* EXCAVATION (CU YD)	EMBANKMENT REQUIRED (CU YD)	EARTHWORK BALANCE (CU YD)
STA. 8+50 TO STA. 9+77.29	154	25%	100%	116	45	71
STA. 9+77.29 TO STA. 10+22.71	-	25%	100%	-	-	-
STA. 10+22.71 TO STA. 11+00	122	25%	100%	92	38	54
CHANNEL EXCAVATION ENTRANCES	(50)	25%	70%	26	0	26
TOTAL	276			234	83	151
USE:	280					150

\* AVAILABLE EXCAVATION = EXC. x (1-SHRINKAGE FACTOR) x % USED (WASTE.)



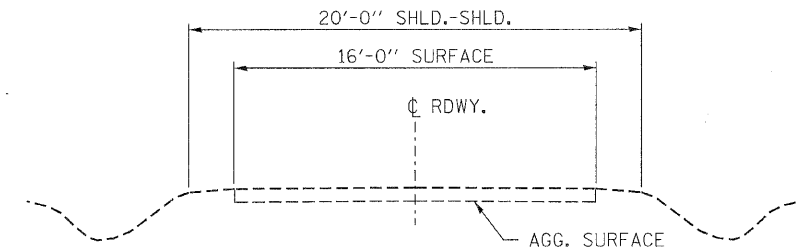
SUGGESTED CUT SECTION  
CONSTRUCT AS SHOWN IN  
STATION CROSS SECTIONS

SUGGESTED FILL SECTION  
CONSTRUCT AS SHOWN IN  
STATION CROSS SECTIONS

### TYPICAL CROSS SECTION

STA. 8+50 TO 11+00

TRANSITION FROM THE PROPOSED ROADWAY TO THE EXISTING ROADWAY IS TO BE CONSTRUCTED FROM STA. 8+50 TO 9+00 AND STA. 10+50 TO 11+00. SEE SHEET 7 FOR TRANSITION AT BRIDGE.



### EXISTING CROSS SECTION

FILE NAME = 090121-sh1-rdw.dgn	USER NAME =	DESIGNED - A.S.L.	REVISED -	<b>STATE OF ILLINOIS GALLATIN COUNTY HIGHWAY DEPARTMENT</b>	<b>HLR</b>	<b>SUMMARY OF QUANTITIES AND TYPICAL SECTIONS COTTONWOOD ROAD</b>	F.A.S.	SECTION	COUNTY	TOTAL SHEETS	SHEET NO.
		DRAWN - D.T.M.	REVISED -				1897	08-00073-00-BR	GALLATIN	14	2
		CHECKED - S.W.M.	REVISED -				CONTRACT NO. 99422				
		DATE - 08/27/10	REVISED -				FED. ROAD DIST. NO. [ILLINOIS] FED. AID PROJECT				
				SCALE:		SHEET NO. OF SHEETS	STA. TO STA.				