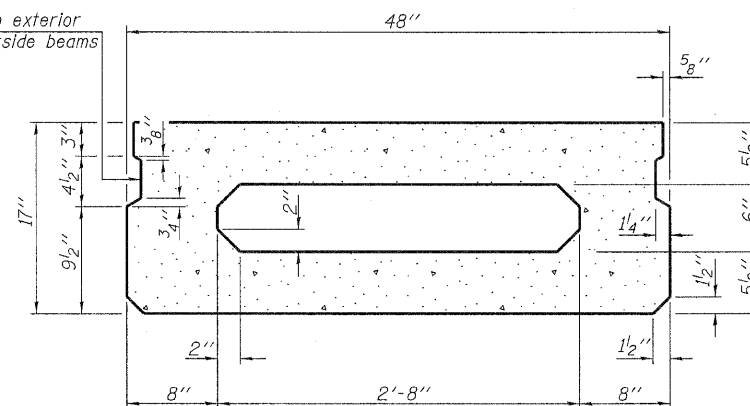
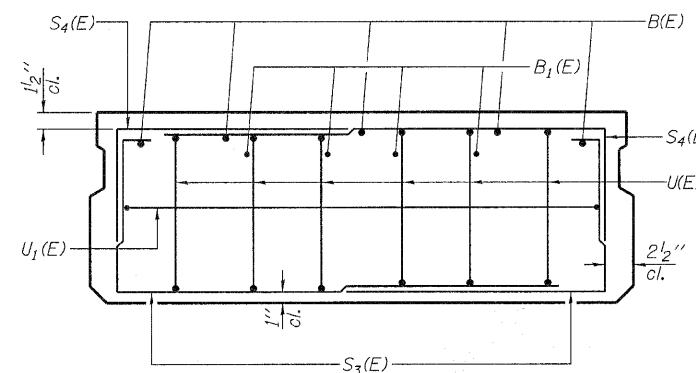


SECTION C-C

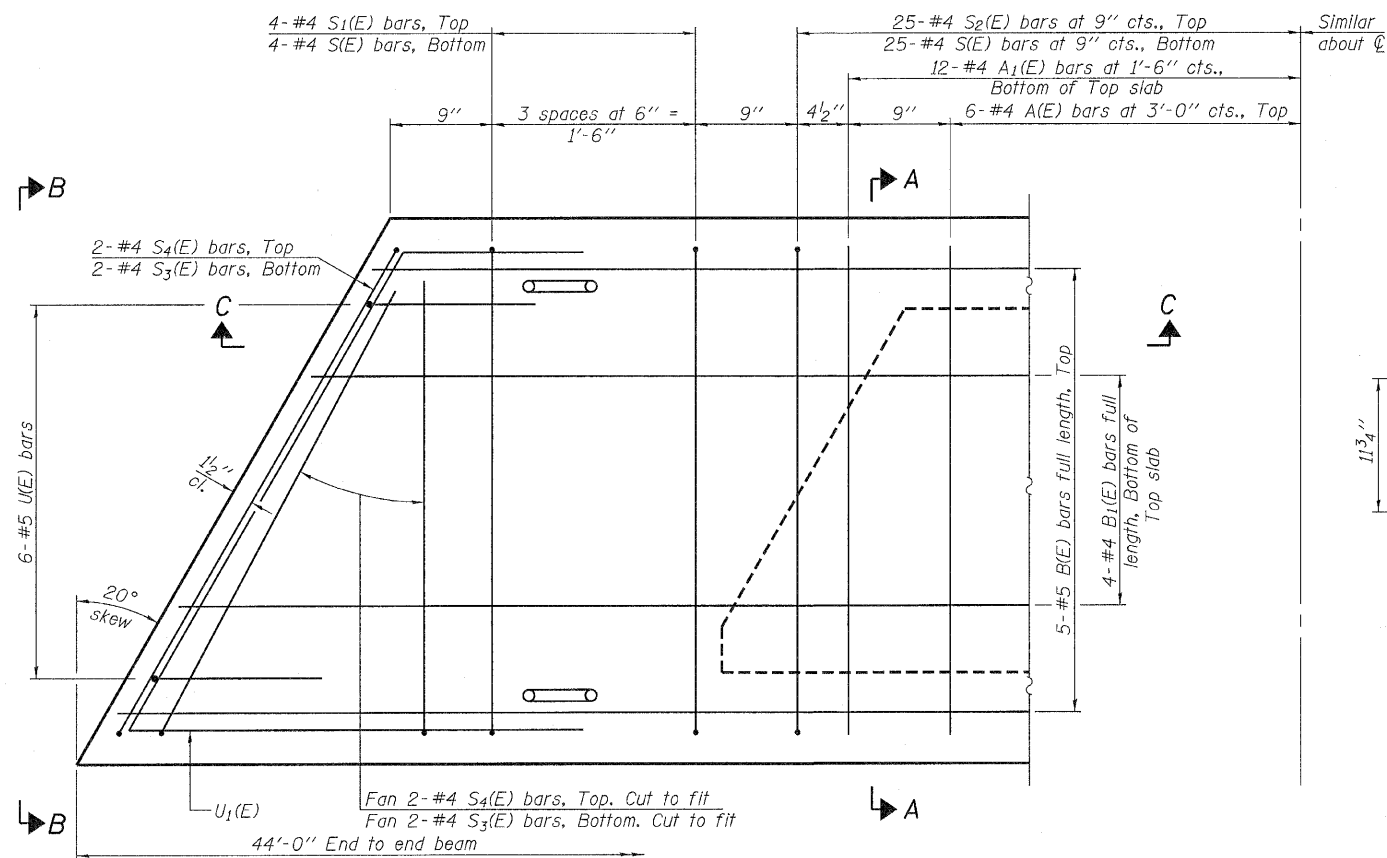
Omit key on exterior face of outside beams



SECTION A-A  
(Showing dimensions)

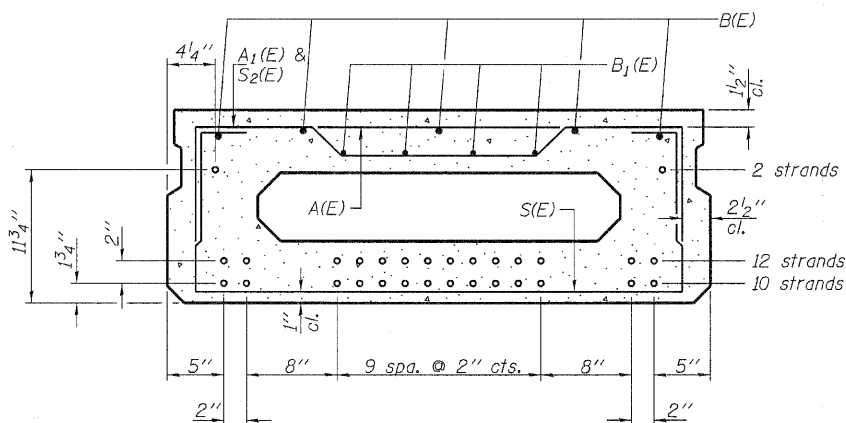


VIEW B-B



PLAN VIEW

Note: Spacing of S(E) and S2(E) bars may be adjusted up to 4" in the immediate area of the transverse tie diaphragms to miss the block outs for the transverse ties.



SECTION A-A

(Showing reinforcement and permissible strand locations)

Note: Place the number of strands specified in each row symmetrically about the centerline of beam in the permissible strand locations shown.

BAR LIST  
ONE BEAM ONLY  
(For information only)

Bar	No.	Size	Length	Shape
A(E)	12	#4	3'-7"	—
A1(E)	24	#4	3'-10"	—
B(E)	5	#5	43'-8"	—
B1(E)	4	#4	43'-8"	—
S(E)	58	#4	6'-9"	⌈
S1(E)	8	#4	5'-3"	⌈
S2(E)	50	#4	5'-6"	⌈
S3(E)	8	#4	4'-5"	⌈
S4(E)	8	#4	3'-8"	⌈
U(E)	12	#5	3'-8"	⌈
U1(E)	2	#4	7'-6"	⌈

Note: See sheet 9 & 10 for additional details and Bill of Material.

MINIMUM BAR LAP

#4 bar = 2'-0"  
#5 bar = 2'-6"

SUPERSTRUCTURE  
17" X 48" PPC DECK BEAM  
STRUCTURE NO. 030-3128

DESIGNED - A.S.L.
CHECKED - S.W.M.
DRAWN - D.T.M.
CHECKED - S.W.M.

PD-1748-L

11-1-09

<b>HAMPTON, LENZINI &amp; RENWICK, INC.</b> CIVIL & STRUCTURAL ENGINEERS LAND SURVEYORS <b>HLR</b> 3085 STEVENSON DRIVE, SUITE 201 SPRINGFIELD, ILLINOIS 62703 (217) 546-3400	SHEET NO. 2  8 SHEETS	F.A.S.	SECTION	COUNTY	TOTAL SHEETS	SHEET NO.
		1897	08-00073-00-BR	GALLATIN	14	8
PROJECT NUMBER: 09.0121.130		DATE: 08/27/10		CONTRACT NO. 99422		
		FED. ROAD DIST. NO.		ILLINOIS FED. AID PROJECT		