

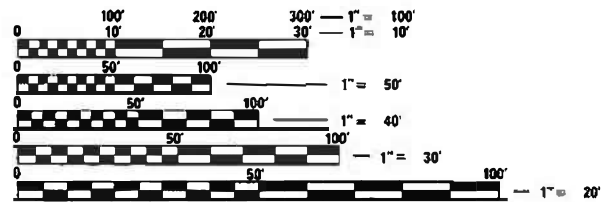
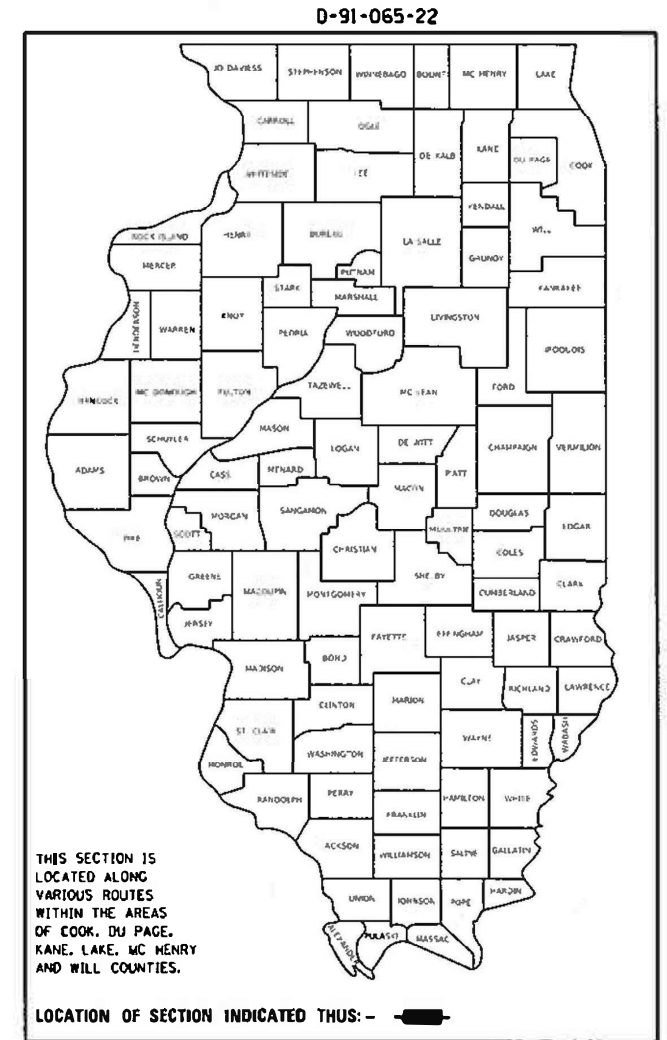
STATE OF ILLINOIS
DEPARTMENT OF TRANSPORTATION

FA RTE	SECTION	COUNTY	TOTAL SHEETS	SHEET NO.
VAR.	2021-165-SWP	WILL	7	1
		ILLINOIS	CONTRACT NO. 62P86	

FOR INDEX OF SHEETS, SEE SHEET NO. 2

PROPOSED HIGHWAY PLANS

ROUTE: VARIOUS DISTRICT ONE
SECTION: 2021-165-SWP
ARTERIAL HIGHWAY CLEANING (SWEEPING)
COUNTY: WILL
C-91-058-22



FULL SIZE PLANS HAVE BEEN PREPARED USING STANDARD ENGINEERING SCALES. REDUCED SIZED PLANS WILL NOT CONFORM TO STANDARD SCALES. IN MAKING MEASUREMENTS ON REDUCED PLANS, THE ABOVE SCALES MAY BE USED.

J.U.L.I.E.
JOINT UTILITY LOCATION INFORMATION FOR EXCAVATION
1-800-892-0123
OR 811

LOCATION MAPS - SEE INDEX OF SHEETS

PROJECT MANAGER: J. ALAIN MIDY (847) 221-3056

CONTRACT NO. 62P86

STATE OF ILLINOIS
DEPARTMENT OF TRANSPORTATION

SUBMITTED NOVEMBER 21 2021

Jose Luis REGIONAL ENGINEER

December 10 20 21

Steph ENGINEER OF DESIGN AND ENVIRONMENT

December 10 20 21

Stephen M. Smith DIRECTOR OF HIGHWAYS PROJECT IMPLEMENTATION

PRINTED BY THE AUTHORITY
OF THE STATE OF ILLINOIS

F.A. RTE.	SECTION	COUNTY	TOTAL SHEETS	SHEET NO.
VAR. 2021-165-SWP	WILL		7	2
STA.		TO STA.		
FED. ROAD DIST. NO.	ILLINOIS	FED. AID PROJECT		

INDEX OF SHEETS

1. TITLE SHEET
2. INDEX OF SHEETS
APPLICABLE STATE STANDARDS
3. SUMMARY OF QUANTITIES
SCHEDULE OF CLEANING STARTING DATES
4. ARTERIAL TYPICAL SECTIONS
5. ARTERIAL CLEANING: WILL COUNTY
JOLIET TEAM SECTION
6. ARTERIAL CLEANING: WILL COUNTY
NEW LENOX TEAM SECTION
7. TRAFFIC CONTROL AND PROTECTION FOR SIDE ROADS,
INTERSECTIONS AND DRIVEWAYS (TC-10)

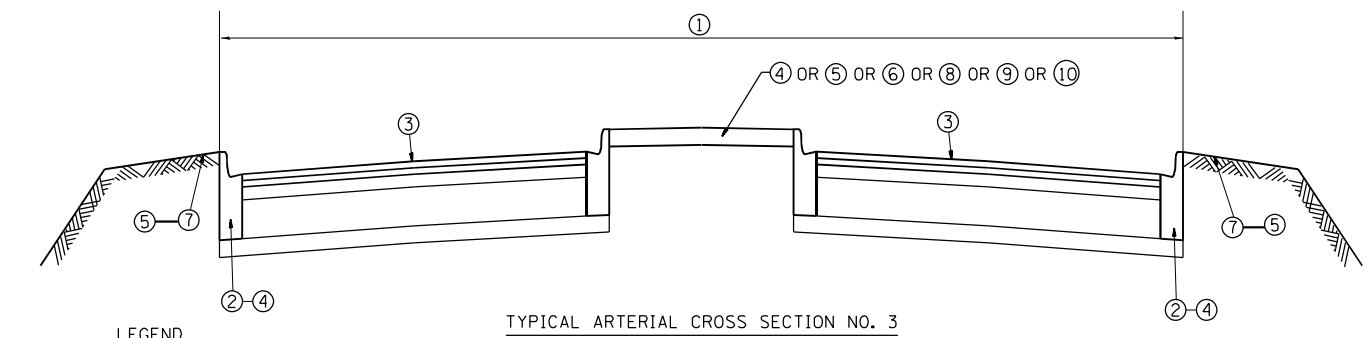
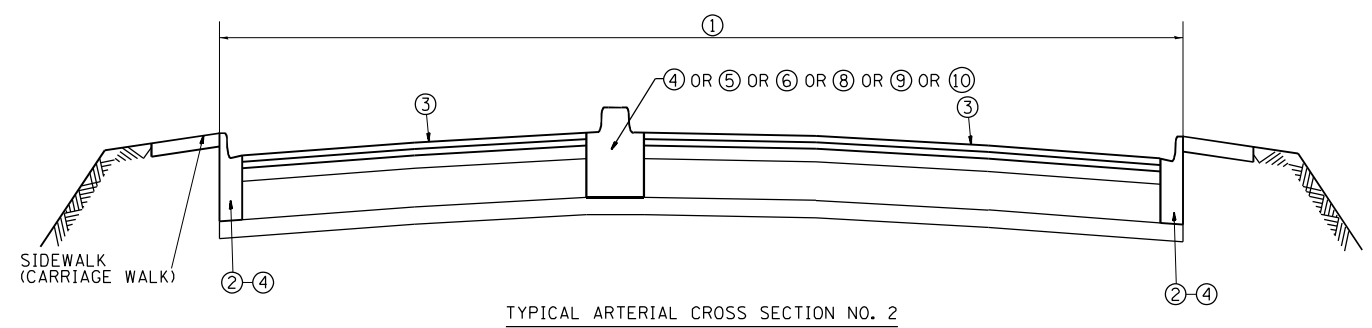
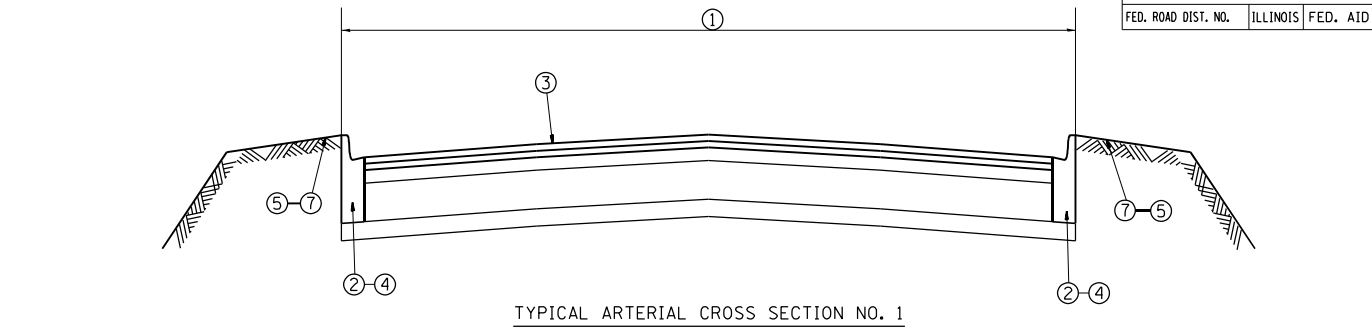
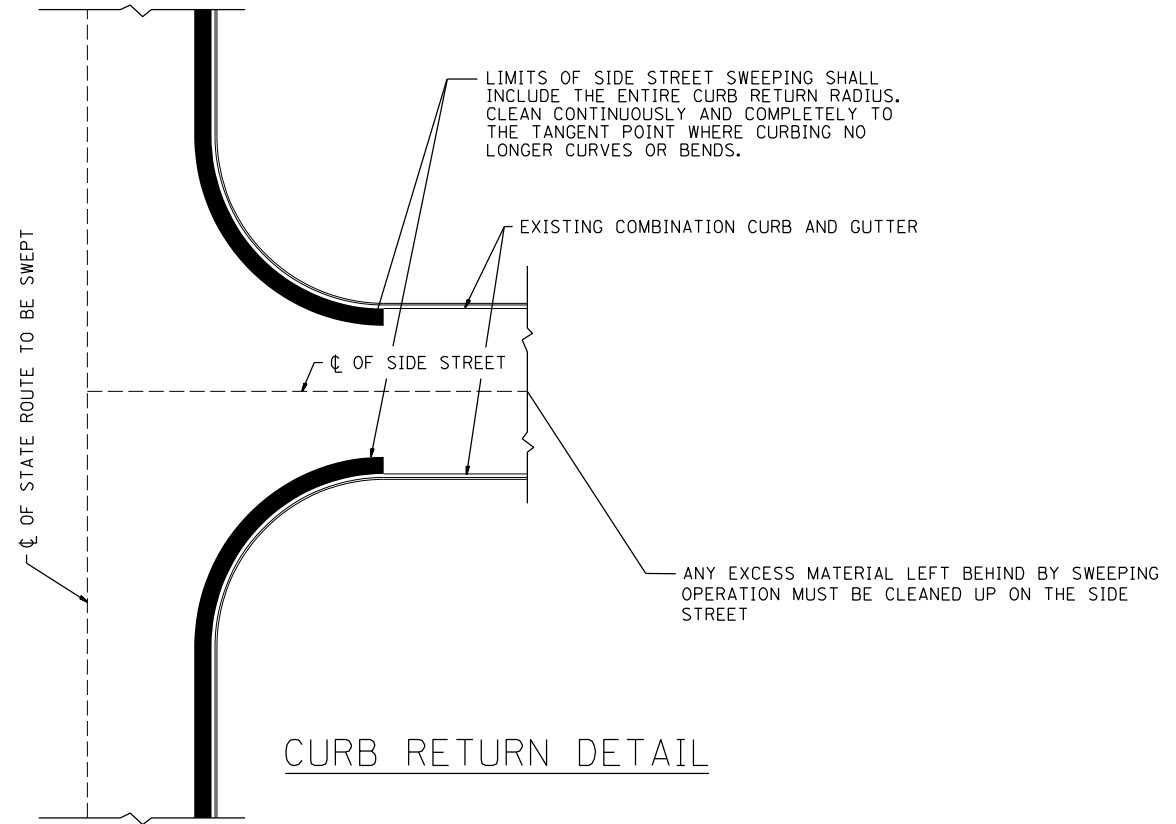
STATE STANDARDS

- | | |
|-----------|--|
| 701001-02 | OFF-ROAD OPERATION 2L, 2W, 15' MIN. AWAY FOR SPEEDS > 45 MPH |
| 701006-05 | OFF-ROAD OPERATION 2L, 2W, 15' TO PAVEMENT EDGE FOR SPEEDS > 45 MPH |
| 701011-04 | OFF-ROAD MOVING OPERATION 2L, 2W, DAY ONLY |
| 701301-04 | LANE CLOSURE, 2L 2W, SHORT TIME OPERATIONS |
| 701311-03 | LANE CLOSURE, 2L 2W, MOVING OPERATIONS - DAY ONLY |
| 701411-09 | LANE CLOSURE, MULTILANE AT ENTERANCE/EXIT RAMP FOR SPEEDS > 45 MPH |
| 701426-07 | LANE CLOSURE, MULTILANE INTERMITTENT OR MOVING OPERATION FOR SPEEDS > 45 MPH |
| 701427-05 | LANE CLOSURE, MULTILANE, INTERMITTENT OR MOVING OPERATIONS ≤ 40 MPH |
| 701901-08 | TRAFFIC CONTROL DEVICES |

PLOT DATE = 10/28/2021
 FILE NAME = p:\1\1\dot-pub\ben\legcomp\1\DOT Documents\DOT Offices\District 1\Projects\Sweeping Contracts\CADData\Design\SweepingContract\2817.dgn
 PLOT SCALE = 1/8"=1'-0"
 USER NAME = mcljup

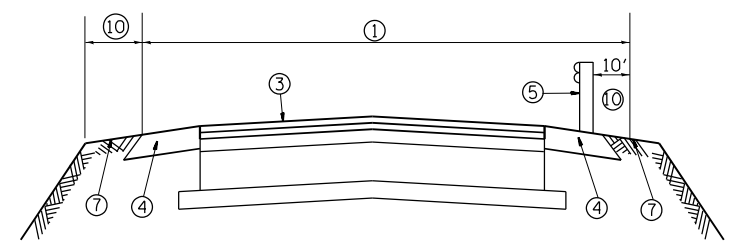
REVISIONS		ILLINOIS DEPARTMENT OF TRANSPORTATION
NAME	DATE	
		INDEX OF SHEETS AND STATE STANDARDS
SCALE:	VERT. / HORIZ.	DRAWN BY
DATE		CHECKED BY

RTE.	SECTION	COUNTY	TOTAL SHEETS	SHEET NO.
VAR. 2021-165-SWP	WILL		7	4
STA.		TO STA.		
FED. ROAD DIST. NO.	ILLINOIS	FED. AID PROJECT		



LEGEND

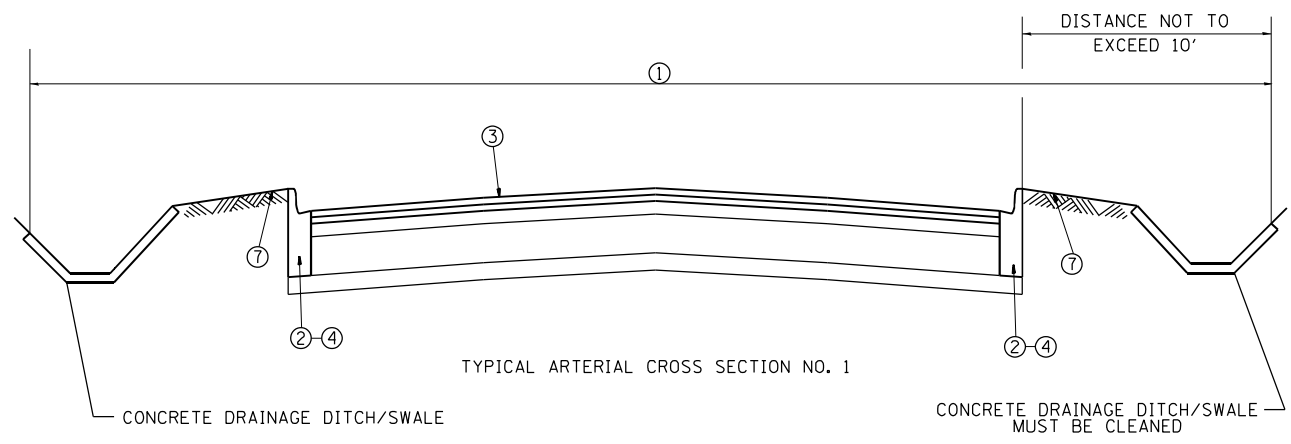
- ① AREA OF ROADWAY CLEANING AND RUBBISH REMOVAL
- ② CURB AND GUTTER
- ③ TRAVELED ROADWAY
- ④ STABILIZED SHOULDER OR MEDIAN
- ⑤ STEEL PLATE GUARDRAIL (SEE NOTE 1)
- ⑥ CONCRETE BARRIER
- ⑦ NON STABILIZED AREA
- ⑧ RAISED CONCRETE MEDIAN
- ⑨ ALL EXISTING TURF MEDIANS
- ⑩ LITTER PICKING



TYPICAL ARTERIAL CROSS SECTION NO. 4

NOTES:

- 1) ALL LOCATIONS OF MEDIANS AND GUARDRAILS SHALL BE CLEANED OF ALL DEBRIS AND RUBBISH INCLUDING BUT NOT LIMITED TO DIRT, WEEDS, SAND, ROCKS, GRAVEL, CONCRETE, WOOD, LIMBS, LEAVES, GARBAGE & ANIMAL CARCASSES BY HAND LABORING UNDERNEATH AND 10 FEET BEHIND GUARDRAIL INCLUDING STABILIZED AND NON STABILIZED AREAS. THIS WORK SHALL BE CONSIDERED AS INCLUDED IN THE CONTRACT UNIT PRICE FOR ALL FULL CLEANING CYCLES.
- 2) SLOPE WALLS UNDER BRIDGES ARE NOT INCLUDED IN AREAS TO BE CLEANED.
- 3) ALL ARTERIAL INTERCHANGES, INTERSECTIONS, RAMPS AND CROSSOVERS SHALL BE CLEANED AND LITTER PICKED.
- 4) ALL PAVED DITCHES AND SPILLWAYS WITHIN 10' OF STABILIZED BASE SHALL BE CLEANED



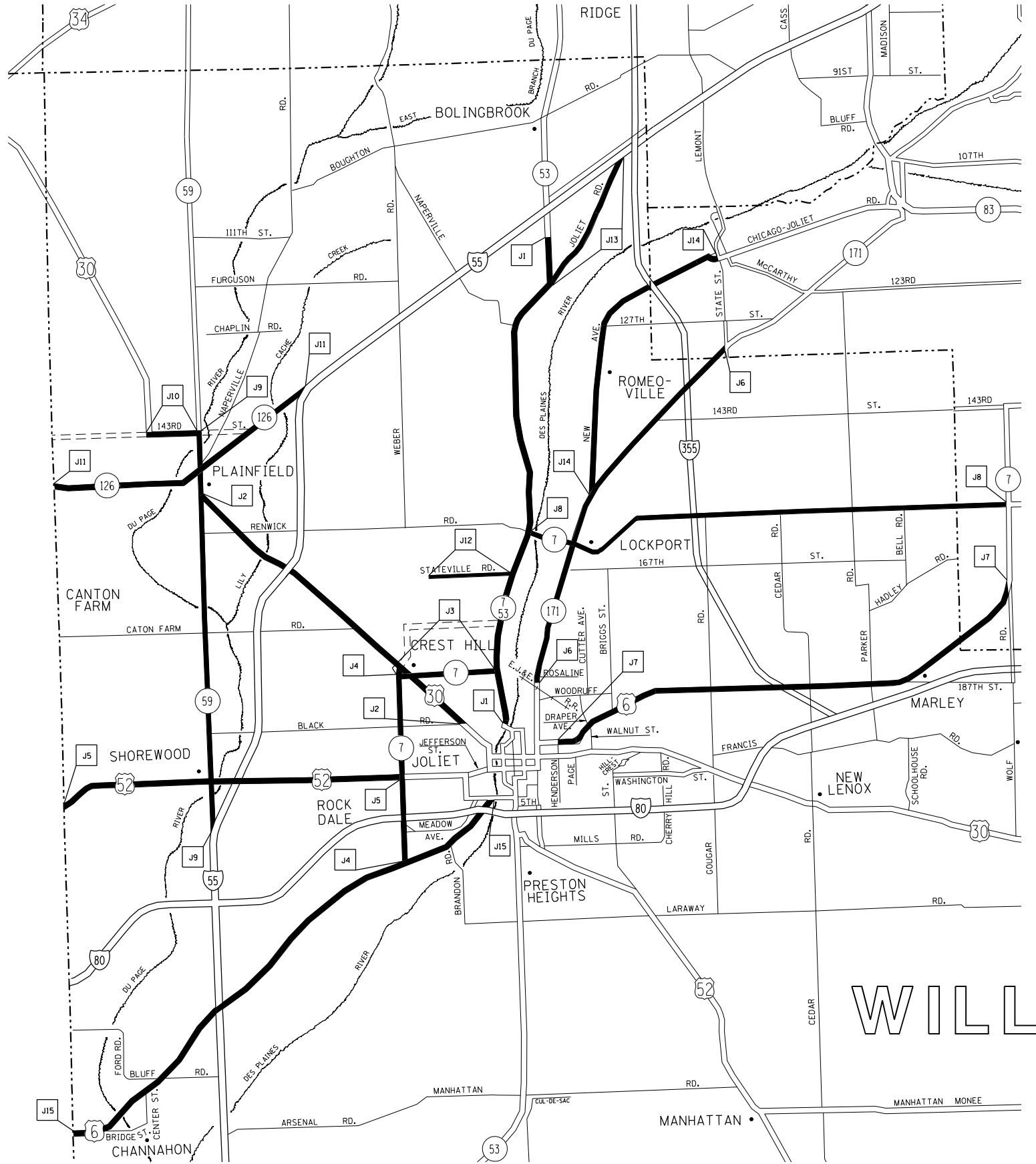
TYPICAL ARTERIAL CROSS SECTION NO. 1

REVISIONS	
NAME	DATE

ILLINOIS DEPARTMENT OF TRANSPORTATION
 EXPRESSWAY AND ARTERIAL HIGHWAY
 CLEANING (SWEEPING)
TYPICAL
ARTERIAL CROSS SECTIONS
AND CURB RETURN DETAIL
 SCALE: VERT. _____
 HORIZ. _____
 DATE _____ DRAWN BY _____
 CHECKED BY _____

PLOT DATE = 10/28/2021
 FILE NAME = p:\n\1\dot\pub\ben\legcomp\1001\Documents\1001\DOT Offices\District 1\Projects\Sweeping Contracts\CADData\Design\SweepingContractes.2017.dgn
 PLOT SCALE = 1/8"=1'-0"
 USER NAME = midup

F.A. RTE.	SECTION	COUNTY	TOTAL SHEETS	SHEET NO.
VAR. 2021-165-SWP	WILL	WILL	7	5
STA.		TO STA.		
FED. ROAD DIST. NO.	ILLINOIS	FED. AID PROJECT		



TEAM SECTION	KEY LOCATIONS
JOLIET	J1 - J15

- DISTRICT NO. 1
- STATE HIGHWAYS & EXPRESSWAYS WITHIN STATE JURISDICTION (EXCEPT TOLLWAYS)
 - STATE HIGHWAYS & EXPRESSWAYS TO BE CLEANED
 - FUTURE HIGHWAYS
 - VARIOUS AGENCIES HIGHWAYS

REVISIONS	
NAME	DATE

ILLINOIS DEPARTMENT OF TRANSPORTATION

ARTERIAL CLEANING
LOCATION MAP
WILL COUNTY
JOLIET TEAM SECTION

SCALE: VERT. _____
HORIZ. _____

DATE _____ DRAWN BY _____
CHECKED BY _____

PLOT DATE = 10/28/2021
 FILE NAME = p:\n\1\dot\pub\ben\legcomp\WIDOT\Documents\WIDOT Offices\District 1\Projects\Sweeping Contracts\CadData\Design\SweepingContractes.2017.dgn
 PLOT SCALE = 1/8"=1'-0"
 USER NAME = midup

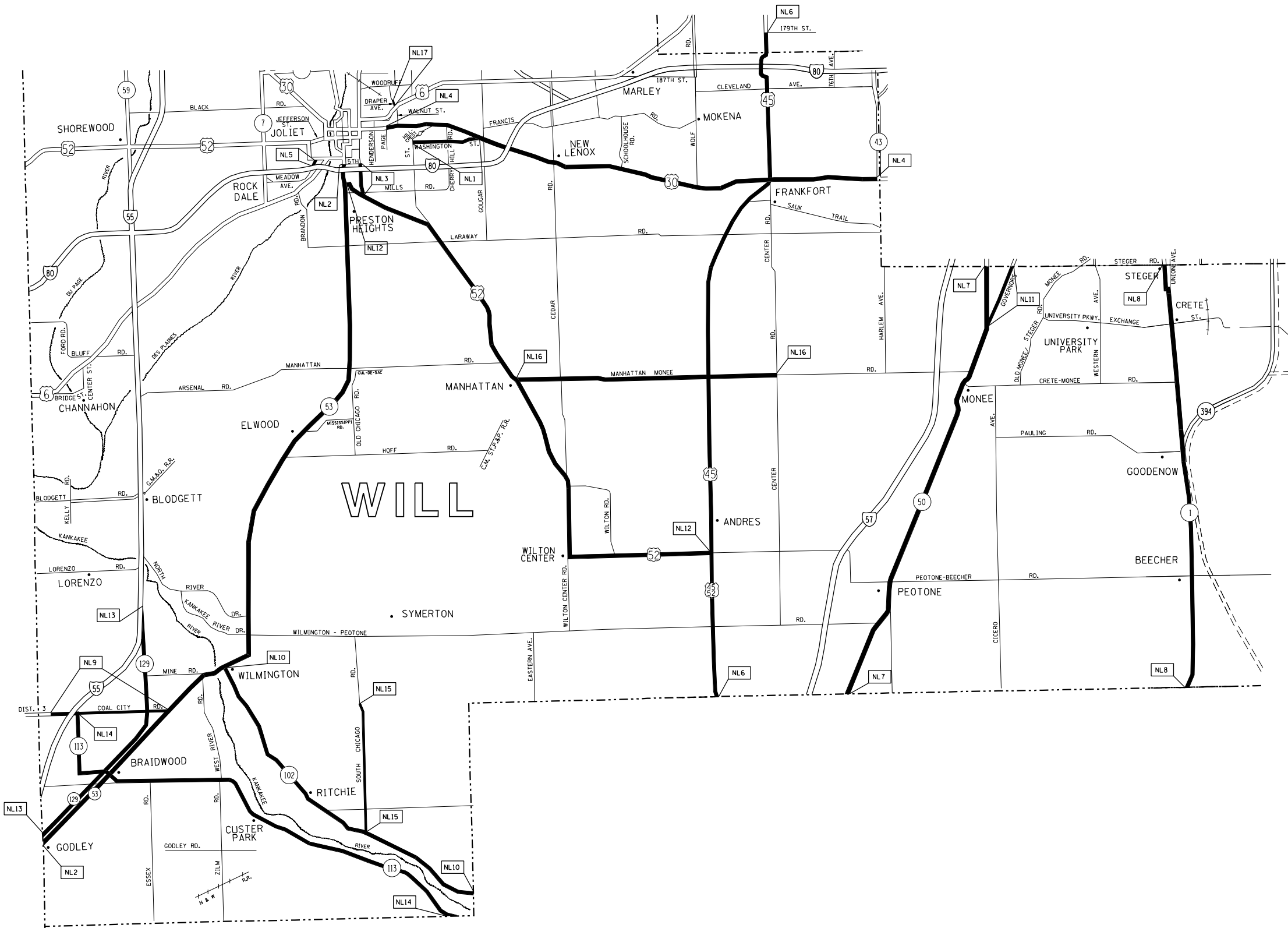
F.A. RTE.	SECTION	COUNTY	TOTAL SHEETS	SHEET NO.
VAR.	2021-165-SWP	WILL	7	6
STA.		TO STA.		
FED. ROAD DIST. NO.	ILLINOIS	FED. AID PROJECT		



TEAM SECTION
NEW LENOX

KEY LOCATIONS
NL1 - NL17

- DISTRICT NO. 1
- STATE HIGHWAYS & EXPRESSWAYS WITHIN STATE JURISDICTION (EXCEPT TOLLWAYS)
 - STATE HIGHWAYS & EXPRESSWAYS TO BE CLEANED
 - - - FUTURE HIGHWAYS
 - VARIOUS AGENCIES HIGHWAYS



PLOT DATE = 10/28/2021
 FILE NAME = p:\n\1\do:pub\ben\legcomp\W\DOT Documents\DOT Offices\Sweeping Contracts\CADData\Design\SweepingContractes2017.dgn
 PLOT SCALE = 1:100,000
 USER NAME = midup

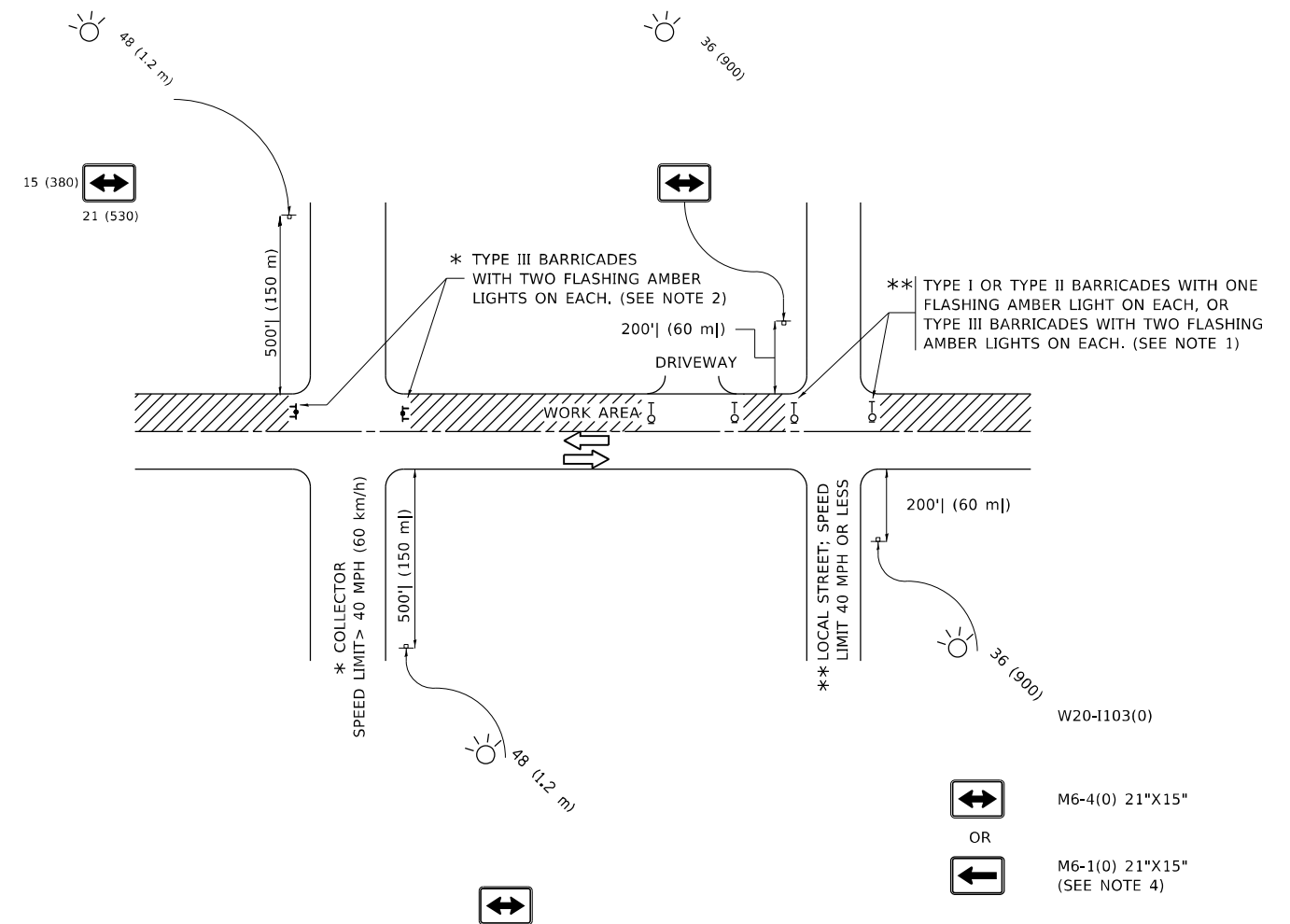
REVISIONS	
NAME	DATE

ILLINOIS DEPARTMENT OF TRANSPORTATION

ARTERIAL CLEANING
LOCATION MAP
WILL COUNTY
NEW LENOX TEAM SECTION

SCALE: VERT.
HORIZ.
DATE

DRAWN BY
CHECKED BY



NOTES:

- SIDE ROAD WITH A SPEED LIMIT OF 40 MPH (60 km/h) OR LESS AS SHOWN ON THE DRAWING AND AS DIRECTED BY THE ENGINEER:
 - ONE "ROAD CONSTRUCTION AHEAD" SIGN 36 x 36 (900x900) WITH A FLASHER MOUNTED ON IT APPROXIMATELY 200' (60 m) IN ADVANCE OF THE MAIN ROUTE.
 - THE CLOSED PORTION OF THE MAIN ROUTE SHALL BE PROTECTED BY BLOCKING WITH TYPE I, TYPE II OR TYPE III BARRICADES, 1/3 OF THE CROSS SECTION OF THE CLOSED PORTION.
- SIDE ROAD WITH A SPEED LIMIT GREATER THAN 40 MPH (60 km/h) AS SHOWN ON THE DRAWING AND AS DIRECTED BY THE ENGINEER:
 - ONE "ROAD CONSTRUCTION AHEAD" SIGN 48 x 48 (1.2 m x 1.2 m) WITH A FLASHER MOUNTED ON IT APPROXIMATELY 500' (150 m) IN ADVANCE OF THE MAIN ROUTE.
 - THE CLOSED PORTION OF THE MAIN ROUTE SHALL BE PROTECTED BY BLOCKING WITH TYPE III BARRICADES, 1/2 OF THE CROSS SECTION OF THE CLOSED PORTION.
- CONES MAY BE SUBSTITUTED FOR BARRICADES OR DRUMS AT HALF THE SPACING DURING DAY OPERATIONS. CONES SHALL BE A MINIMUM OF 28 (710) IN HEIGHT.
- SIGNING AND THE WORK ZONE, A SINGLE HEADED ARROW (M6-1) SHALL BE USED IN LIEU OF THE DOUBLE HEADED ARROW (M6-4).
- WHEN WORK IS BEING PERFORMED ON A SIDE ROAD OR DRIVEWAY, FOLLOW THE APPLICABLE STANDARD(S). THE DIRECTIONAL ARROW (M6-1 OR M6-4) SHALL BE COVERED OR REMOVED WHEN NO LONGER CONSISTENT WITH THE TRAFFIC CONTROL SET-UP.
- ADVANCE WARNING SIGNS ARE TO BE OMITTED ON DRIVEWAYS UNLESS OTHERWISE SPECIFIED IN THE PLANS OR BY THE ENGINEER.
- THE TRAFFIC CONTROL AND PROTECTION FOR SIDE ROADS, INTERSECTIONS, AND DRIVEWAYS SHALL BE INCLUDED IN THE COST OF SPECIFIED TRAFFIC CONTROL STANDARDS OR ITEMS.

All dimensions are in inches (millimeters) unless otherwise shown.

MODEL: Default
 FILE NAME: p:\projects\sw-beach\paw.com\PIV\DOT\Documents\DOT Office\District_1\Projects\Sweeping_Contracts\CAD\Drawings\SideRoads\TrafficControl2017.dwg

USER NAME = mldyja	DESIGNED - L.H.A.	REVISED - A. HOUSEH 10-15-96
	DRAWN -	REVISED - T. RAMMACHER 01-06-00
PLOT SCALE = 100,0000' / in.	CHECKED -	REVISED - A. SCHUETZE 07-01-13
PLOT DATE = 10/28/2021	DATE - 06-89	REVISED - A. SCHUETZE 09-15-16

**STATE OF ILLINOIS
DEPARTMENT OF TRANSPORTATION**

**TRAFFIC CONTROL AND PROTECTION FOR
SIDE ROADS, INTERSECTIONS, AND DRIVEWAYS**

SCALE: NONE SHEET 1 OF 1 SHEETS STA. TO STA.

F.A. RTE.	SECTION	COUNTY	TOTAL SHEETS	SHEET NO.
	2021-165-SWP	WILL	7	7
TC-10			CONTRACT NO. 62P86	
ILLINOIS FED. AID PROJECT				