

* - DENOTES SPECIALTY ITEMS

URBAN

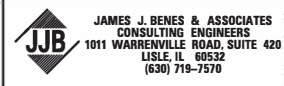
CODE NO.	ITEM	UNIT	CONSTRUCTION TYPE CODES	
			TOTAL QUANTITY	100% FED 0004
20101000	TEMPORARY FENCE	FOOT	625	625
20201200	REMOVAL AND DISPOSAL OF UNSUITABLE MATERIAL	CU YD	2,698 2,706	2,698 2,706
20800150	TRENCH BACKFILL	CU YD	27 149	27 149
21001000	GEOTECHNICAL FABRIC FOR GROUND STABILIZATION	SO YD	25 72	25 72
21101615	TOPSOIL FURNISH AND PLACE, 4"	SO YD	3,440 3,703	3,440 3,703
25000210	SEEDING, CLASS 2A	ACRE	0.56 0.62	0.56 0.62
25000400	NITROGEN FERTILIZER NUTRIENT	POUND	64 69	64 69
25000600	POTASSIUM FERTILIZER NUTRIENT	POUND	64 69	64 69
25000750	MOWING	ACRE	0.18 0.23	0.18 0.23
25003310	INTERSEEDING, CLASS 4	ACRE	0.15	0.15
25003324	INTERSEEDING, CLASS 5B	ACRE	0.15	0.15
25100900	TURF REINFORCEMENT MAT	SO YD	299	299
28000250	TEMPORARY EROSION CONTROL SEEDING	POUND	71 77	71 77
28000400	PERIMETER EROSION BARRIER	FOOT	200	200
28000500	INLET AND PIPE PROTECTION	EACH	1	1
30300001	AGGREGATE SUBGRADE IMPROVEMENT	CU YD	4 12	4 12
31101200	SUBBASE GRANULAR MATERIAL, TYPE B 4"	SO YD	43	43
40600290	BITUMINOUS MATERIALS (TACK COAT)	POUND	12 52	12 52
40604062	HOT-MIX ASPHALT SURFACE COURSE, IL-9.5, MIX "D", N70	TON	3 8	3 8
44000200	DRIVEWAY PAVEMENT REMOVAL	SO YD	43	43

*

1

1

1



USER NAME = \$USER*	DESIGNED - BLG	REVISED -
	DRAWN - SMP	REVISED -
PLOT SCALE = \$SCALE*	CHECKED - BLG	REVISED -
PLOT DATE = \$DATE*	DATE - 11/05/2021	REVISED -

STATE OF ILLINOIS
DEPARTMENT OF TRANSPORTATION

SUMMARY OF QUANTITIES

SCALE: N/A SHEET NO. OF SHEETS STA. TO STA.

F.A.U. RTE.	SECTION	COUNTY	TOTAL SHEETS	SHEET NO.
3578	2021-169-CR	COOK	41	3
ILLINOIS FED. AID PROJECT			CONTRACT NO. 62P90	

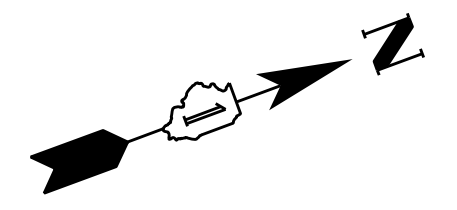
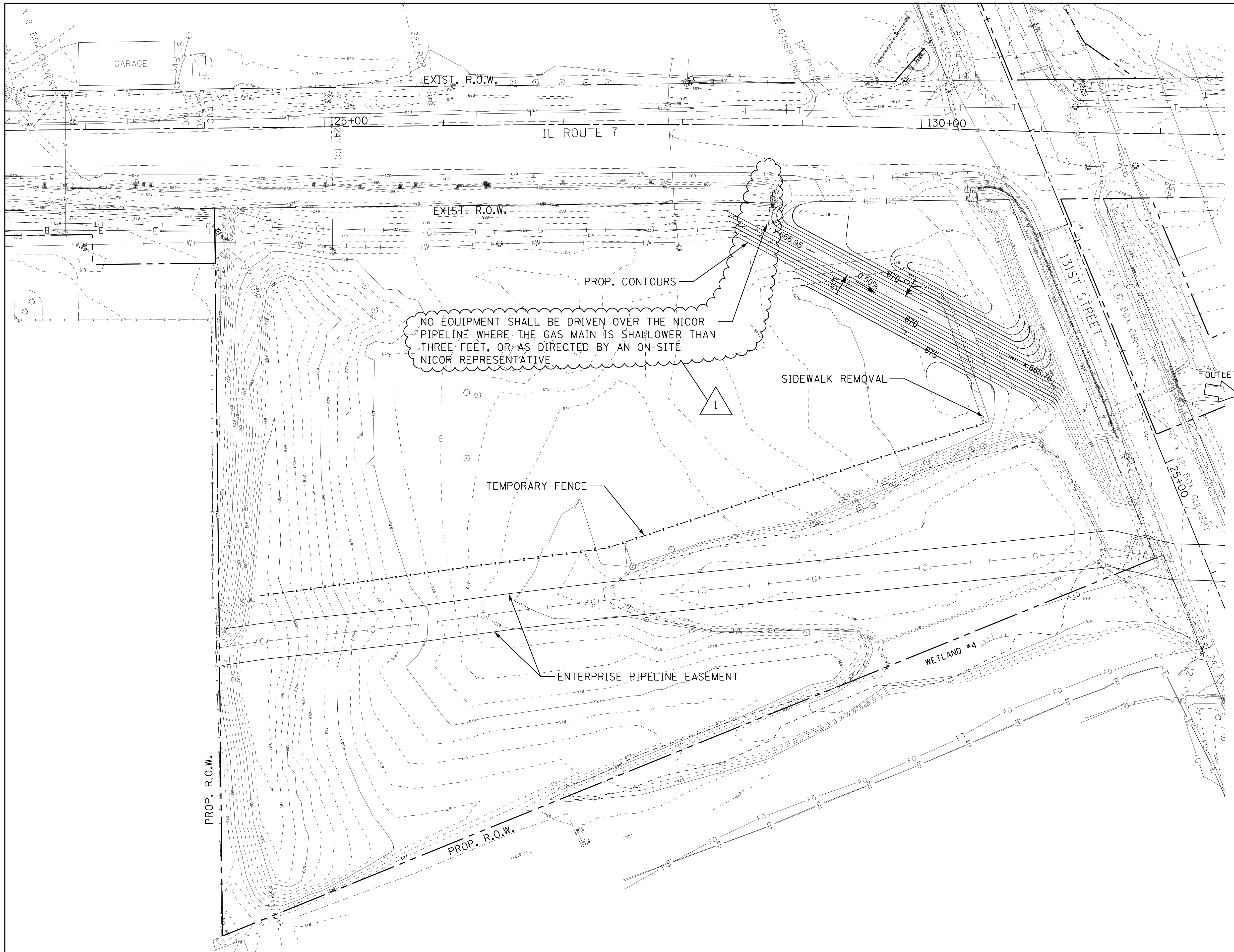
1 REVISED SHEET 1/10/2022

* - DENOTES SPECIALTY ITEMS

CODE NO.	ITEM	UNIT	CONSTRUCTION TYPE CODES	
			URBAN	ROADWAY
			TOTAL QUANTITY	100% FED 0004
44201769	CLASS D PATCHES, TYPE III, 10 INCH	SQ YD	25 72	25 72
54213669	PRECAST REINFORCED CONCRETE FLARED END SECTIONS 24"	EACH	1	1
550A0410	STORM SEWERS, CLASS A, TYPE 2 24"	FOOT	126 224	126 224
550A0450	STORM SEWERS, CLASS A, TYPE 2 36"	FOOT	60	60
550A0480	STORM SEWERS, CLASS A, TYPE 2 48"	FOOT	14	14
55101200	STORM SEWER REMOVAL 24"	FOOT	65	65
59300100	CONTROLLED LOW-STRENGTH MATERIAL	CU YD	8	8
60218400	MANHOLES, TYPE A, 4'-DIAMETER, TYPE 1 FRAME, CLOSED LID	EACH	1	1
60224446	MANHOLES, TYPE A, 7'-DIAMETER, TYPE 1 FRAME, CLOSED LID	EACH	1	1
60221100	MANHOLES, TYPE A, 5'-DIAMETER, TYPE 1 FRAME, CLOSED LID	EACH	1	1
60223800	MANHOLES, TYPE A, 6'-DIAMETER, TYPE 1 FRAME, CLOSED LID	EACH	1	1
60224459	MANHOLES, TYPE A, 8'-DIAMETER, TYPE 1 FRAME, CLOSED LID	EACH	1	1
* 66900200	NON-SPECIAL WASTE DISPOSAL	CU YD	1,650 2,500	1,650 2,500
* 66900530	SOIL DISPOSAL ANALYSIS	EACH	3	3
* 66901001	REGULATED SUBSTANCES PRE-CONSTRUCTION PLAN	L SUM	1	1
* 66901003	REGULATED SUBSTANCES FINAL CONSTRUCTION REPORT	L SUM	1	1
* 66901006	REGULATED SUBSTANCES MONITORING	CAL DA	10	10
67100100	MOBILIZATION	L SUM	1	1
70100350	TRAFFIC CONTROL AND PROTECTION, STANDARD 701101	EACH	1	1
70100450	TRAFFIC CONTROL AND PROTECTION, STANDARD 701201	L SUM	1	1
70102620	TRAFFIC CONTROL AND PROTECTION, STANDARD 701501	L SUM	1	1
70102622	TRAFFIC CONTROL AND PROTECTION, STANDARD 701502	L SUM	1	1
70102635	TRAFFIC CONTROL AND PROTECTION, STANDARD 701701	L SUM	1	1
Z0004538	HOT-MIX ASPHALT DRIVEWAY PAVEMENT, 10"	SQ YD	43	43
Z0013797	STABILIZED CONSTRUCTION ENTRANCE	SQ YD	278	278
Z0013798	CONSTRUCTION LAYOUT	L SUM	1	1
Z0030850	TEMPORARY INFORMATION SIGNING	SQ FT	51	51
X2511630	EROSION CONTROL BLANKET (SPECIAL)	SQ YD	3,440 3,703	3,440 3,703
X4022000	TEMPORARY ACCESS (COMMERCIAL ENTRANCE)	EACH	1	1
X5538800	STORM SEWERS TO BE CLEANED 48"	FOOT	132	132
X6022110	MANHOLES, TYPE A, 10'-DIAMETER, TYPE 1 FRAME, CLOSED LID	EACH	1	1
X6022302	MANHOLES, TYPE A, 4'-DIAMETER, TYPE 1 FRAME, OPEN LID, SPECIAL	EACH	1	1
X6022712	CATCH BASINS, TYPE A, 4'-DIAMETER, WITH SPECIAL FRAME AND GRATE	EACH	1	1
X7010216	TRAFFIC CONTROL AND PROTECTION, (SPECIAL)	L SUM	1	1



1 REVISED SHEET 1/10/2022



JJB JAMES J. BENES & ASSOCIATES
CONSULTING ENGINEERS
1011 WARRENVILLE ROAD, SUITE 420
LISLE, IL 60532
(630) 719-7570

USER NAME : *USER*	DESIGNED - BLG	REVISED - 12/27/2021
PLOT SCALE : *SCALE*	DRAWN - JY	REVISED -
PLOT DATE : *DATE*	CHECKED - BDH	REVISED -
	DATE - 11/05/2021	REVISED -

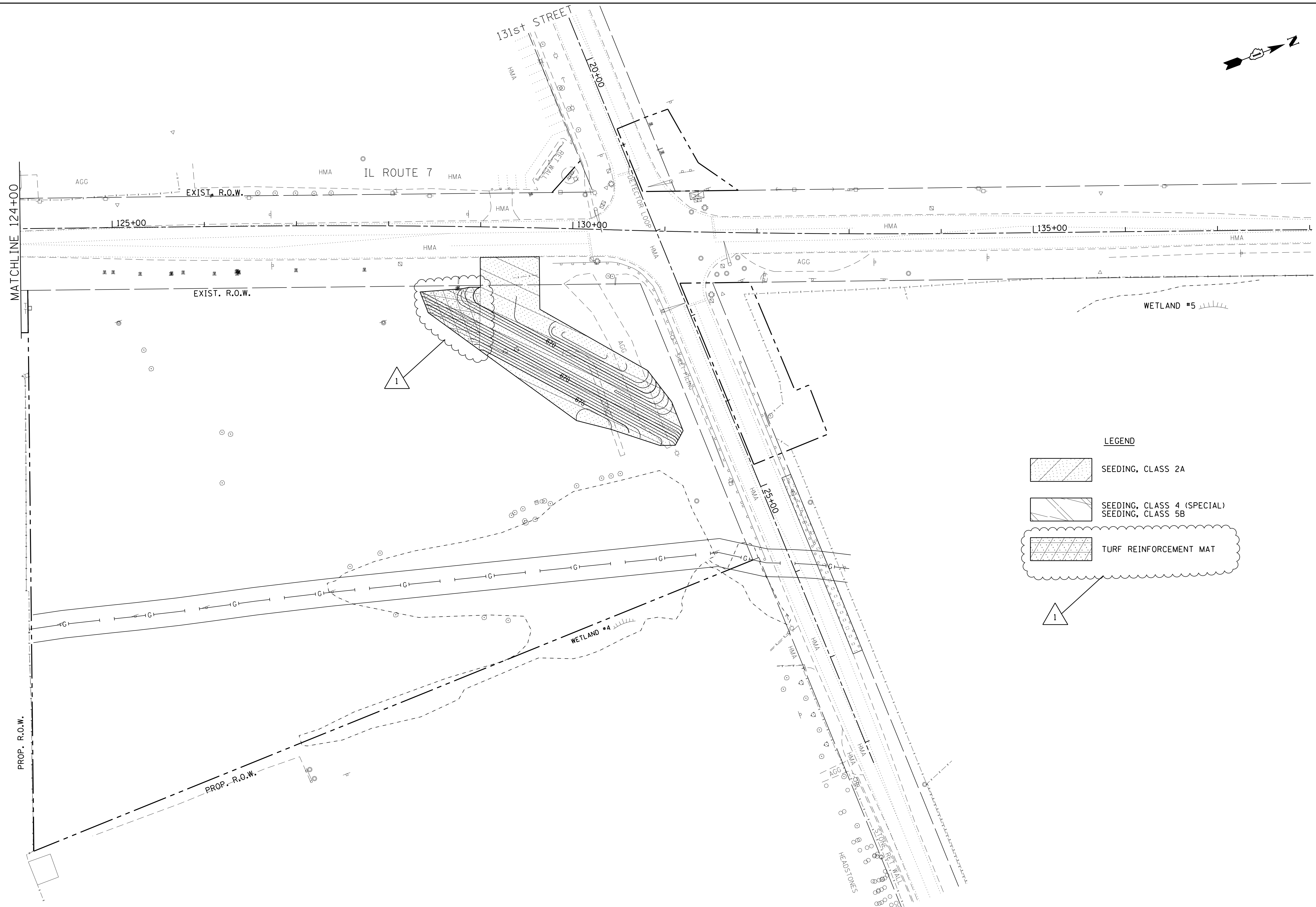
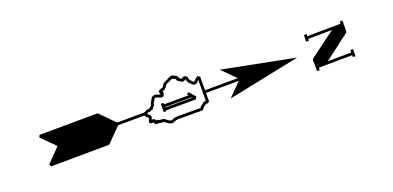
**STATE OF ILLINOIS
DEPARTMENT OF TRANSPORTATION**

GRADING PLAN

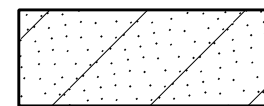
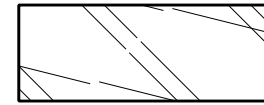
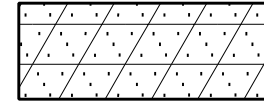
SCALE: 1"=40' SHEET OF SHEETS STA. TO STA.

F.A.U. RTE.	SECTION	COUNTY	TOTAL SHEETS	SHEET NO.
3578	2021-169-CR	COOK	41	16
CONTRACT NO. 62P90				
ILLINOIS FED. AID PROJECT				

REVISION SHEET 1/11/2022



LEGEND

-  SEEDING, CLASS 2A
-  SEEDING, CLASS 4 (SPECIAL)
SEEDING, CLASS 5B
-  TURF REINFORCEMENT MAT

1

JJB
 JAMES J. BENES & ASSOCIATES
 CONSULTING ENGINEERS
 1011 WARRENVILLE ROAD, SUITE 420
 LISLE, IL 60532
 (630) 719-7570

USER NAME = *USER*	DESIGNED - BLG	REVISED - 12/27/2021
DRAWN - JY	CHECKED - BDH	REVISED -
PLOT SCALE = *SCALE*	DATE - 11/05/2021	REVISED -
PLOT DATE = *DATE*		

**STATE OF ILLINOIS
 DEPARTMENT OF TRANSPORTATION**

LANDSCAPE PLAN
 SCALE: 1"=50' SHEET 2 OF 2 SHEETS STA. 126+00 TO STA. 138+00

REVISED SHEET 1/11/2022

F.A.U. RTE.	SECTION	COUNTY	TOTAL SHEETS	SHEET NO.
3578	2021-169-CR	COOK	41	34

CONTRACT NO. 62P90
 ILLINOIS FED. AID PROJECT