

F.A. RATE	SECTION	COUNTY	TOTAL SHEETS	SHEET NO.
VAR	2021-204-I	VARIOUS	10	1
		ILLINOIS	CONTRACT NO. 62R15	

STATE OF ILLINOIS
DEPARTMENT OF TRANSPORTATION

**PROPOSED
HIGHWAY PLANS**

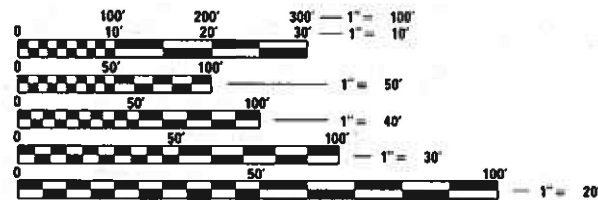
**ROUTE: VARIOUS EXPRESSWAYS DISTRICT ONE
SECTION: 2021-204-I
MISCELLANEOUS IMPACT ATTENUATORS, SAND BARRELS
VARIOUS COUNTIES**

C-91-100-22

FOR INDEX OF SHEETS, SEE SHEET NO. 2



LOCATION MAPS - SEE SHEETS 4-6



FULL SIZE PLANS HAVE BEEN PREPARED USING STANDARD ENGINEERING SCALES. REDUCED SIZED PLANS WILL NOT CONFORM TO STANDARD SCALES. IN MAKING MEASUREMENTS ON REDUCED PLANS, THE ABOVE SCALES MAY BE USED.

J.U.L.I.E.
JOINT UTILITY LOCATION INFORMATION FOR EXCAVATION
1-800-892-0123
OR 811

PROJECT MANAGER J. ALAIN MIDY (847) 221-3056

CONTRACT NO. 62R15

STATE OF ILLINOIS
DEPARTMENT OF TRANSPORTATION

SUBMITTED October 29 2021
Jose Eros REGIONAL ENGINEER

December 10 2021
[Signature] ENGINEER OF DESIGN AND ENVIRONMENT

December 10 2021
Stephen M. Smith DIRECTOR OF HIGHWAYS PROJECT IMPLEMENTATION

PRINTED BY THE AUTHORITY
OF THE STATE OF ILLINOIS

INDEX OF SHEETS

<u>SHEET NO.</u>	<u>DESCRIPTION</u>
1	COVER SHEET
2	INDEX OF SHEETS, STATE STANDARDS AND GENERAL NOTES
3	SUMMARY OF QUANTITIES
4-6	EXPRESSWAY PATCHING LOCATION MAPS
7	ENTRANCE RAMP AND CLOSURE DETAILS (TC-8)
8	SINGLE LANE WEAVE (MODIFIED) (TC-9)
9	TRAFFIC CONTROL AND PROTECTION AND TURN BAYS (TC-14)
10	TRAFFIC CONTROL FOR SHOULDER CLOSURES AND PARTIAL RAMP CLOSURES (MODIFIED) (TC-17)

LIST OF STATE STANDARDS

<u>STANDARD NO.</u>	<u>DESCRIPTION</u>
442201-03	CLASS C AND D PATCHES
643001-02	SAND MODULE IMPACT ATTENUATORS
701006-05	OFF ROAD OPERATIONS, 2L, 2W, 15 FT TO 24" FROM EDGE OF PAVEMENT
701011-04	OFF ROAD MOVING OPERATIONS, 2L, 2W, DAY ONLY
701101-05	OFF ROAD OPERATIONS MULTILANE 15 FT TO 24" FROM EDGE OF PAVEMENT
701106-02	OFF ROAD OPERATIONS MULTILANE MORE THAN 15 FT AWAY
701301-04	LANE CLOSURE, 2L, 2W SHORT TIME OPERATIONS
701421-08	LANE CLOSURE MULTILANE DAY ONLY OPERATION FOR SPEED ≥ 45 MPH TO 55 MPH
701426-09	LANE CLOSURE MULTILANE INTERMITTENT OR MOVING OPERATION FOR SPEED ≥ 45 MPH
701427-05	LANE CLOSURE MULTILANE INTERMITTENT OR MOVING OPERATION FOR SPEED < 40 MPH
701501-06	URBAN LANE CLOSURE 2L, 2W UNDIVIDED
701502-09	URBAN LANE CLOSURE 2L, 2W WITH BIDIRECTIONAL LEFT TURN LANE
701601-09	URBAN LANE CLOSURE MULTILANE 1W OR 2W WITH NONTRAVERSABLE MEDIAN
701602-10	URBAN LANE CLOSURE MULTILANE 2W WITH BIDIRECTIONAL LEFT TURN LANE
701606-10	URBAN SINGLE LANE CLOSURE MULTILANE 2W WITH MOUNTABLE MEDIAN
701701-10	URBAN LANE CLOSURE MULTILANE INTERSECTION
701801-06	SIDEWALK, CORNER OR CROSSWALK CLOSURE
701400-11	APPROACH TO LANE CLOSURE, FREEWAY / EXPRESSWAY
701401-13	LANE CLOSURE, FREEWAY / EXPRESSWAY
701411-09	LANE CLOSURE, MULTILANE, AT ENTRANCE OR EXIT RAMP, FOR SPEEDS > 45 MPH
701428-01	TRAFFIC CONTROL SETUP AND REMOVAL FREEWAY / EXPRESSWAY
701446-11	TWO LANE CLOSURE, FREEWAY / EXPRESSWAY
701901-08	TRAFFIC CONTROL DEVICES
780001-05	TYPICAL PAVEMENT MARKINGS

GENERAL NOTES

BEFORE STARTING ANY EXCAVATION, THE CONTRACTOR SHALL CALL "J.U.L.I.E." AT (800) 892-0123 OR 811 FOR FIELD LOCATIONS OF BURIED ELECTRIC, TELEPHONE AND GAS UTILITIES. 48 HOUR NOTIFICATION IS REQUIRED.

THE CONTRACTOR SHALL CONTACT DISTRICT ONE TRAFFIC CONTROL SUPERVISOR AT (847) 705-4151 A MINIMUM OF 72 HOURS IN ADVANCE OF BEGINNING WORK.

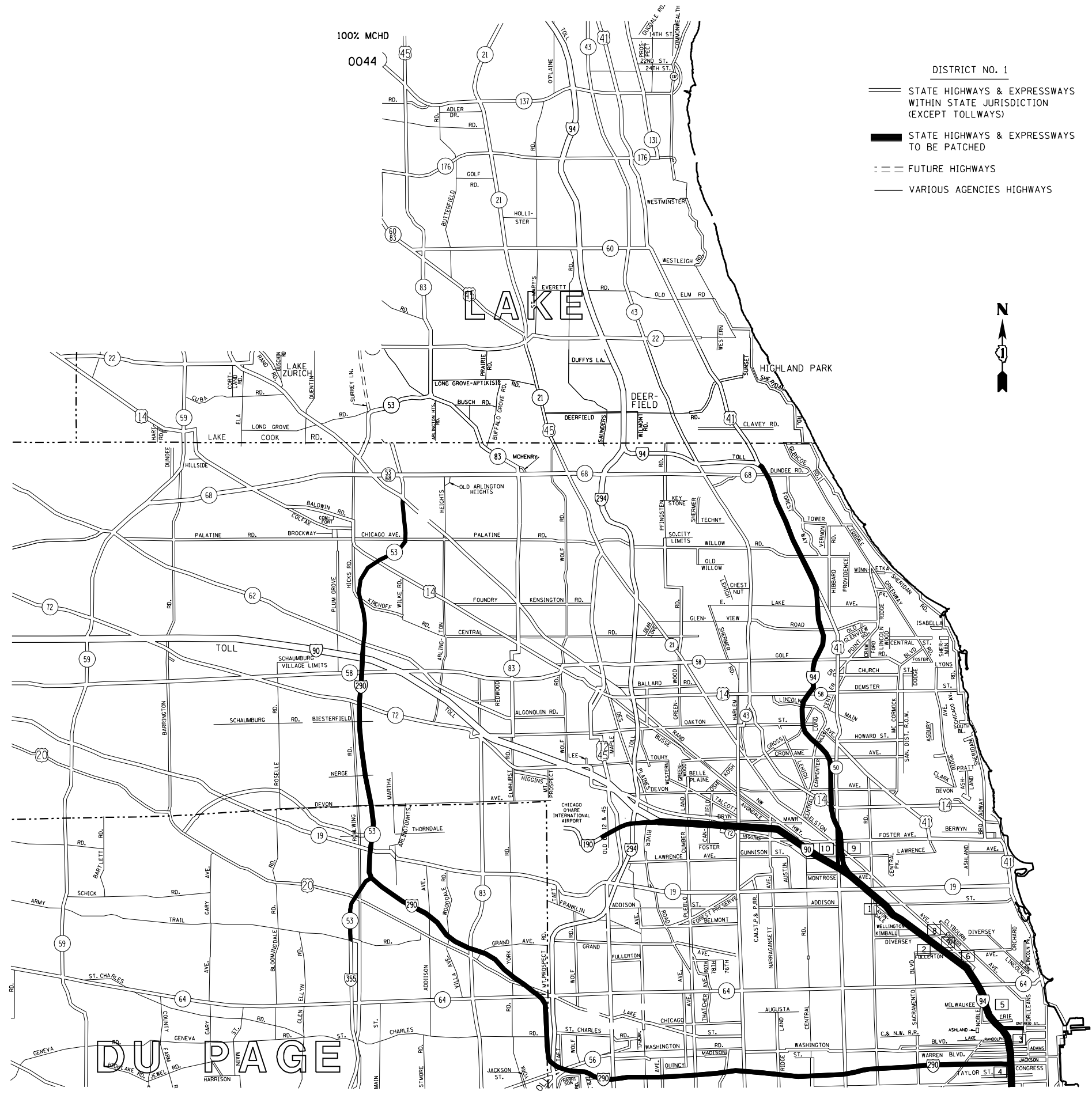
MODEL: Default
 FILE: M:\MFC_Plan\110101\Documents\DOT Offices\District: 1\Projects\1123918\CADdata\Design\1123918-ehh-soln.dgn

USER NAME = midyja	DESIGNED -	REVISED -	STATE OF ILLINOIS DEPARTMENT OF TRANSPORTATION	INDEX OF SHEETS, STATE STANDARDS AND GENERAL NOTES		F.A. RTE.	SECTION	COUNTY	TOTAL SHEETS	SHEET NO.
DRAWN -	REVISED -	VAR.				2021-204-I	VARIOUS	10	2	
PLOT SCALE = 100.0000' / in.	CHECKED -	REVISED -		SCALE: SHEET OF SHEETS STA. TO STA.		ILLINOIS FED. AID PROJECT				
PLOT DATE = 11/1/2021	DATE -	REVISED -		CONTRACT NO. 62R15						

SUMMARY OF QUANTITIES			URBAN TOTAL QUANTITIES	CONSTRUCTION TYPE CODE					
CODE NO	ITEM	UNIT		100% STATE 0044	100% MCHD 0044				
50102400	CONCRETE REMOVAL	CU YD	80	80					
50300225	CONCRETE STRUCTURES	CU YD	40	40					
64300240	IMPACT ATTENUATORS (FULLY REDIRECTIVE, NARROW), TEST LEVEL 2	EACH	6	5	1				
64300260	IMPACT ATTENUATORS (FULLY REDIRECTIVE, NARROW), TEST LEVEL 3	EACH	8	8					
64300370	IMPACT ATTENUATORS (FULLY REDIRECTIVE, WIDE), TEST LEVEL 3	EACH	2	1	1				
64300770	IMPACT ATTENUATORS (SEVERE USE, NARROW), TEST LEVEL 3	EACH	25	23	2				
64300920	IMPACT ATTENUATORS (SEVERE USE, WIDE), TEST LEVEL 3	EACH	3	2	1				
64301090	ATTENUATOR BASE	SO YD	88	88					
70100205	TRAFFIC CONTROL AND PROTECTION, STANDARD 701401	EACH	70	69	1				
70100420	TRAFFIC CONTROL AND PROTECTION, STANDARD 701411	EACH	40	38	2				
70100430	TRAFFIC CONTROL AND PROTECTION, STANDARD 701446	EACH	25	24	1				
70102621	TRAFFIC CONTROL AND PROTECTION, STANDARD 701501	EACH	5	5					
70102624	TRAFFIC CONTROL AND PROTECTION, STANDARD 701502	EACH	4	4					

SUMMARY OF QUANTITIES			URBAN TOTAL QUANTITIES	CONSTRUCTION TYPE CODE					
CODE NO	ITEM	UNIT		100% STATE 0044	100% MCHD 0044				
70102631	TRAFFIC CONTROL AND PROTECTION, STANDARD 701601	EACH	8	8					
70102633	TRAFFIC CONTROL AND PROTECTION, STANDARD 701602	EACH	6	6					
70102626	TRAFFIC CONTROL AND PROTECTION, STANDARD 701606	EACH	10	10					
70102637	TRAFFIC CONTROL AND PROTECTION, STANDARD 701701	EACH	5	5					
70102642	TRAFFIC CONTROL AND PROTECTION, STANDARD 701801	EACH	5	5					
X6430120	REMOVE IMPACT ATTENUATORS, NO SALVAGE	EACH	50	49	1				
X6431220	REMOVE AND REPLACE IMPACT ATTENUATOR SAND MODULE	EACH	600	595	5				
X7010808	TRAFFIC CONTROL AND PROTECTION, STANDARD TC8	EACH	100	95	5				
X7010809	TRAFFIC CONTROL AND PROTECTION, STANDARD TC9	EACH	2	1	1				
X7010814	TRAFFIC CONTROL AND PROTECTION, STANDARD TC14	EACH	20	20					
X7010817	TRAFFIC CONTROL AND PROTECTION, STANDARD TC17	EACH	41	40	1				
Z0030850	TEMPORARY INFORMATION SIGNING	SO FT	50	40	10				

FILE NAME =	USER NAME = mdyja	DESIGNED -	REVISED -	STATE OF ILLINOIS DEPARTMENT OF TRANSPORTATION	MISCELLANEOUS IMPACT ATTENUATORS, SAND BARRELS SUMMARY OF QUANTITIES	F.A. RTE.	SECTION	COUNTY	TOTAL SHEETS	SHEET NO.
pw\N\dot-pw\benley.com\PIW\DOT Documents\DOT Office\Dist\1\Projects\DI23918\CADD\dot\Design\DI23918-sht-pla	DRAWN -	REVISED -	VAR.			2021-204-1	VARIOUS	10	3	
PLOT SCALE = 100,0000' / 1in	CHECKED -	REVISED -	CONTRACT NO. 62R15							
PLOT DATE = 11/1/2021	DATE -	REVISED -	FED. ROAD DIST. NO. 1 ILLINOIS FED. AID PROJECT							
SCALE:		SHEET NO. OF SHEETS		STA. TO STA.						



- DISTRICT NO. 1
- STATE HIGHWAYS & EXPRESSWAYS WITHIN STATE JURISDICTION (EXCEPT TOLLWAYS)
 - STATE HIGHWAYS & EXPRESSWAYS TO BE PATCHED
 - - - FUTURE HIGHWAYS
 - VARIOUS AGENCIES HIGHWAYS



MODEL: Defaul
 FILE NAME: p:\w\dot\Documents\DOT Office\District 1\Project\123018\CADD\data\Des\123018-act-sb-an.com

USER NAME = mldyja	DESIGNED -	REVISED -
DRAWN -	REVISED -	REVISED -
PLOT SCALE = 100,000' / in.	CHECKED -	REVISED -
PLOT DATE = 11/11/2021	DATE -	REVISED -

**STATE OF ILLINOIS
DEPARTMENT OF TRANSPORTATION**

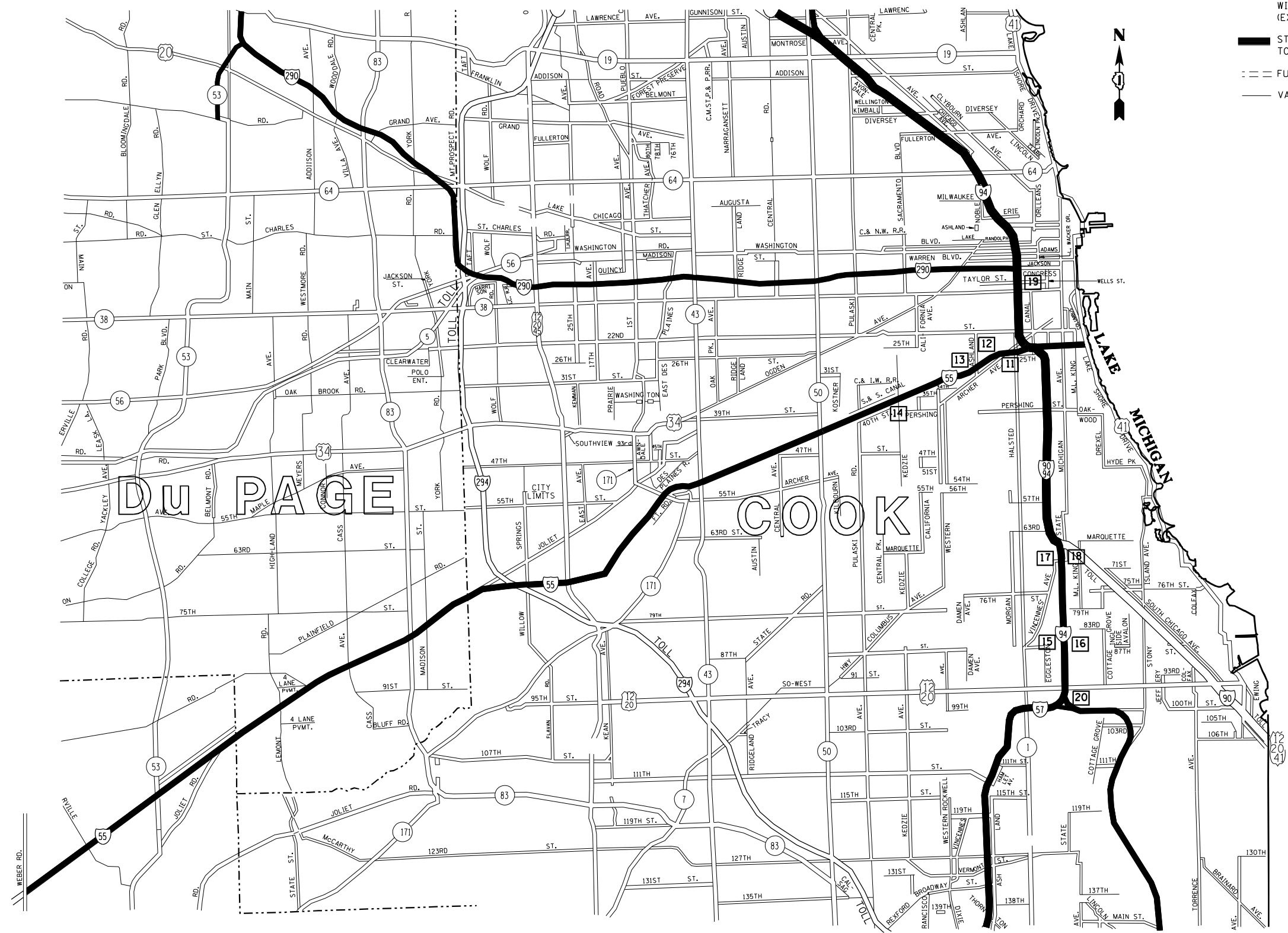
EXPRESSWAY LOCATION MAP

SCALE: SHEET 1 OF 3 SHEETS STA. TO STA.

F.A. RTE.	SECTION	COUNTY	TOTAL SHEETS	SHEET NO.
VAR.	2021-204-I	VARIOUS	10	4
			CONTRACT NO. 62R15	
ILLINOIS FED. AID PROJECT				

DISTRICT NO. 1

- STATE HIGHWAYS & EXPRESSWAYS WITHIN STATE JURISDICTION (EXCEPT TOLLWAYS)
- STATE HIGHWAYS & EXPRESSWAYS TO BE PATCHED
- - - FUTURE HIGHWAYS
- VARIOUS AGENCIES HIGHWAYS



MODEL: Default
 FILE NAME: p:\project\paw_bend\paw.com\PIV\DOT\Documents\DOT Office\District 1\Project\123018\CADD\data\Des\im\123018-act-saban.dwg
 PROJECT: 123018

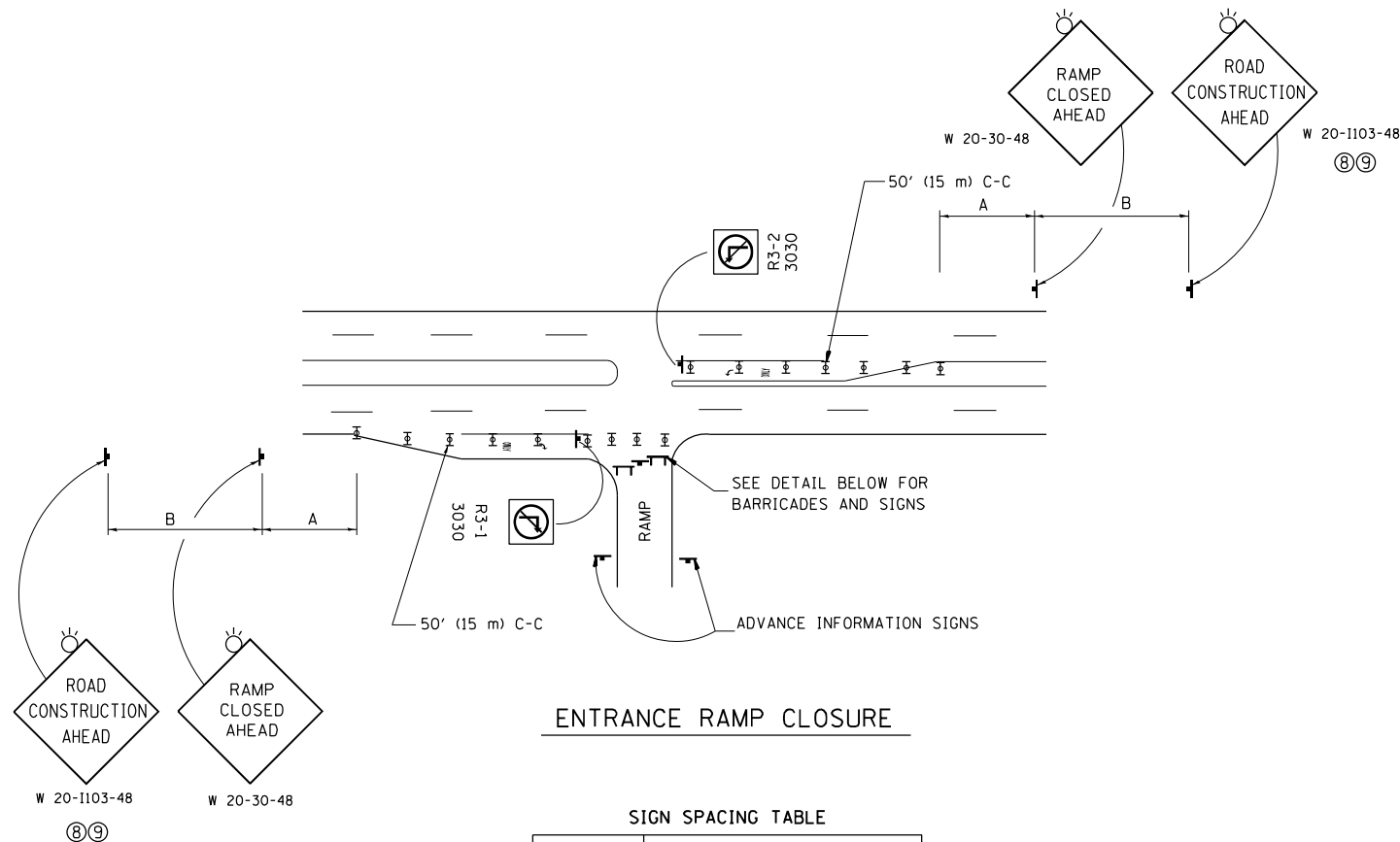
USER NAME = mldyja	DESIGNED -	REVISED -
	DRAWN -	REVISED -
PLOT SCALE = 100,0000' / in.	CHECKED -	REVISED -
PLOT DATE = 11/1/2021	DATE -	REVISED -

**STATE OF ILLINOIS
DEPARTMENT OF TRANSPORTATION**

EXPRESSWAY LOCATION MAP

SCALE: SHEET 2 OF 3 SHEETS STA. TO STA.

F.A. RTE.	SECTION	COUNTY	TOTAL SHEETS	SHEET NO.
VAR.	2021-204-I	VARIOUS	10	5
			CONTRACT NO. 62R15	
		ILLINOIS	FED. AID PROJECT	

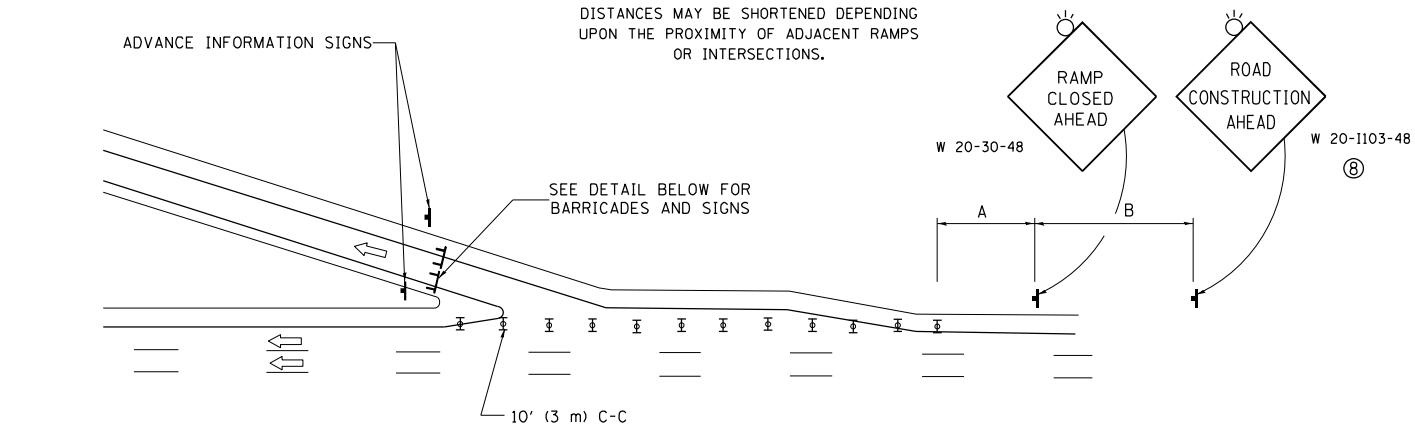


ENTRANCE RAMP CLOSURE

SIGN SPACING TABLE

FACILITY	DISTANCE BETWEEN SIGNS	
	A	B
EXPRESSWAY >24 HOURS	1000' (300 m)	1500' (450 m)
EXPRESSWAY <24 HOURS	500' (150 m)	500' (150 m)
ARTERIAL 55 MPH	500' (150 m)	500' (150 m)
ARTERIAL 50-45 MPH	350' (100 m)	350' (100 m)
ARTERIAL <45 MPH	200' (60 m)	200' (60 m)

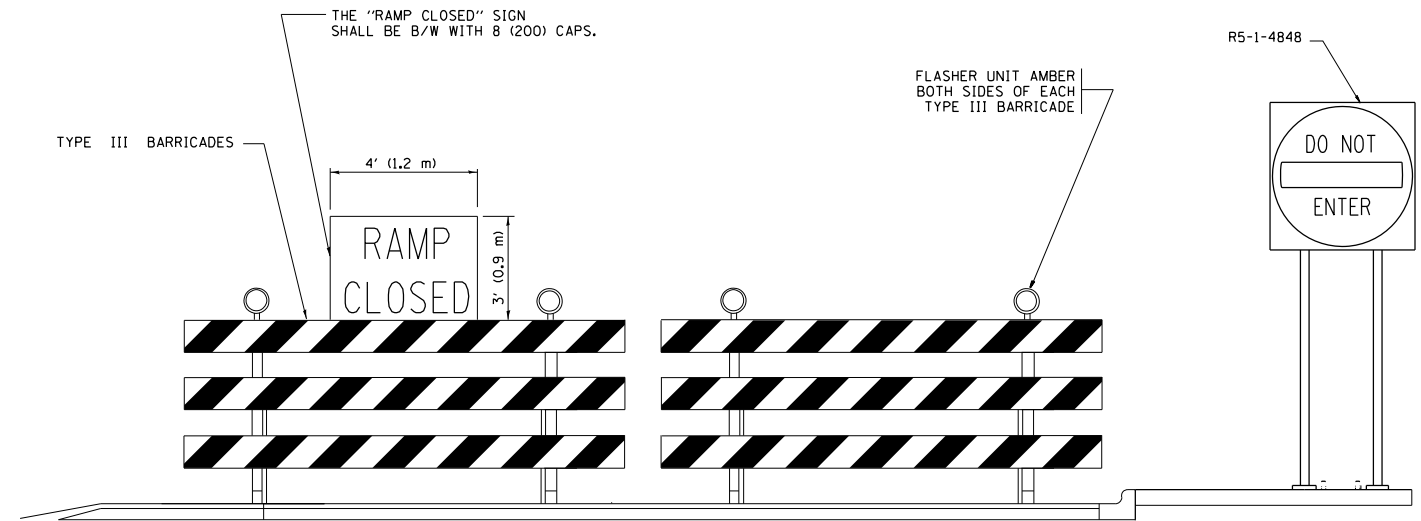
DISTANCES MAY BE SHORTENED DEPENDING UPON THE PROXIMITY OF ADJACENT RAMPS OR INTERSECTIONS.



EXIT RAMP CLOSURE

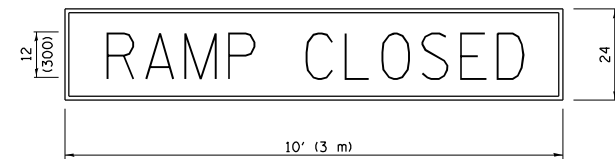
SYMBOLS

- ⊥ TYPE II BARRICADE OR DRUM WITH STEADY BURN MONO-DIRECTIONAL LIGHT
- ⊓ TYPE III BARRICADE WITH 2 FLASHING LIGHTS



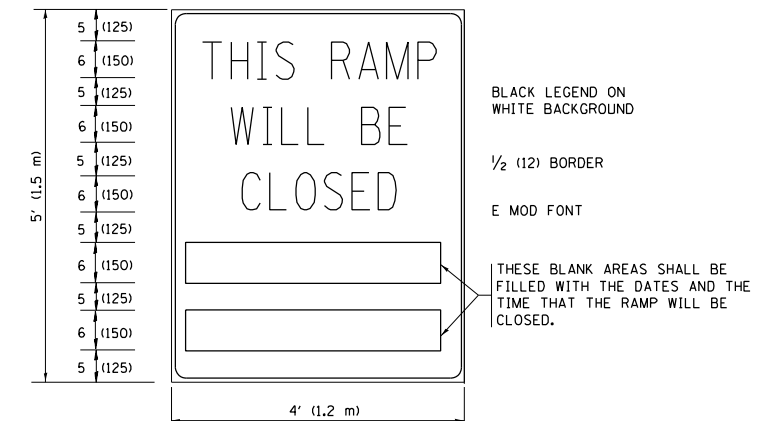
DETAIL FOR REQUIRED BARRICADES & SIGNS

RAMP CLOSURE ADVANCE WARNING SIGN



BLACK LEGEND ON ORANGE BACKGROUND MOUNTED DIAGONALLY
E MOD FONT
1 (25) BORDER
THESE SIGNS ARE REQUIRED ON ALL THE EXIT GUIDE SIGNS FOR EXIT RAMPS THAT WILL BE CLOSED FOR MORE THAN FOUR (4) CONSECUTIVE DAYS.

RAMP CLOSURE ADVANCE INFORMATION SIGN



BLACK LEGEND ON WHITE BACKGROUND
1/2 (12) BORDER
E MOD FONT

THESE BLANK AREAS SHALL BE FILLED WITH THE DATES AND THE TIME THAT THE RAMP WILL BE CLOSED.

THESE SIGNS ARE REQUIRED ON BOTH SIDES OF THE RAMP, MINIMUM OF 1 WEEK IN ADVANCE OF THE CLOSURE.

THESE SIGNS SHALL BE FABRICATED AND PAID FOR ACCORDING TO THE TEMPORARY INFORMATION SIGNING SPECIAL PROVISION

GENERAL NOTES:

- ① CONES MAY BE SUBSTITUTED FOR DRUMS OR TYPE II BARRICADES DURING DAY OPERATIONS. CONES SHALL BE A MINIMUM OF 28 (700) HIGH.
- ② STEADY BURN LIGHTS WILL NOT BE REQUIRED FOR DAY OPERATIONS.
- ③ A FLAGGER SHALL BE POSITIONED AT EACH CLOSED RAMP THAT IS OPEN TO CONSTRUCTION VEHICLES, PRECEDED BY A W20-7 FLAGGER WARNING SIGN.
- ④ ALL ROUTE MARKERS AND TRAILBLAZER ASSEMBLIES WHICH DIRECT MOTORISTS TO A CLOSED ENTRANCE RAMP SHALL BE COVERED WHEN THE RAMP IS CLOSED FOR MORE THAN FOUR (4) DAYS.
- ⑤ THE SIGNING AND BARRICADING WHICH IS REQUIRED BY THIS DETAIL SHALL BE INCLUDED IN THE COST OF TRAFFIC CONTROL AND PROTECTION (EXPRESSWAYS).
- ⑥ AUTHORIZATION FROM THE DISTRICT'S BUREAU OF TRAFFIC IS REQUIRED FOR ALL RAMP CLOSURES.
- ⑦ THE RAMP CLOSURE ADVANCE INFORMATION SIGNS SHALL BE ERECTED IF THE CLOSURE TIME EXCEEDS TWENTY-FOUR (24) HOURS. ADDITIONAL ADVANCE WARNING SIGNS ON EXIT GUIDE SIGNING WILL BE REQUIRED FOR EXIT RAMP CLOSURES THAT EXCEED FOUR (4) DAYS IN LENGTH.
- ⑧ ROAD CONSTRUCTION AHEAD SIGNS MAY BE OMITTED WHEN THIS DETAIL IS USED IN CONJUNCTION WITH OTHER TRAFFIC CONTROL THAT ALREADY INCLUDES A ROAD CONSTRUCTION AHEAD SIGN.
- ⑨ ARTERIAL ROAD CONSTRUCTION AHEAD SIGNS SHALL BE INSTALLED ON THE LEFT SIDE OF TRAFFIC IF THE MEDIAN IS MORE THAN 10 FT WIDE.

ALL DIMENSIONS ARE IN INCHES (MILLIMETERS) UNLESS OTHERWISE SHOWN.

FILE NAME =	USER NAME = midyja	DESIGNED - DWS	REVISED - JAF 02-06
pw:\idot-pw\bentley.com\PWIDOT\Documents\IDOT Offices\District 1\Projects\123918\CAD\DRAWING\123918-sht-plan.dgn		CHECKED -	REVISED - SPB 01-07
		DATE - 02-83	REVISED - SPB 12-09
			REVISED - MD 06-13

**STATE OF ILLINOIS
DEPARTMENT OF TRANSPORTATION**

**ENTRANCE AND EXIT RAMP
CLOSURE DETAILS**

SCALE: NONE SHEET NO. 1 OF 1 SHEETS STA. TO STA.

F.A. RTE.	SECTION	COUNTY	TOTAL SHEETS	SHEET NO.
VAR.	2021-204-I	VARIOUS	10	7
TC-08		CONTRACT NO. 62R15		
FED. ROAD DIST. NO. 1 ILLINOIS FED. AID PROJECT				

TURN BAY ENTRANCE AT START OF LANE CLOSURE TAPER

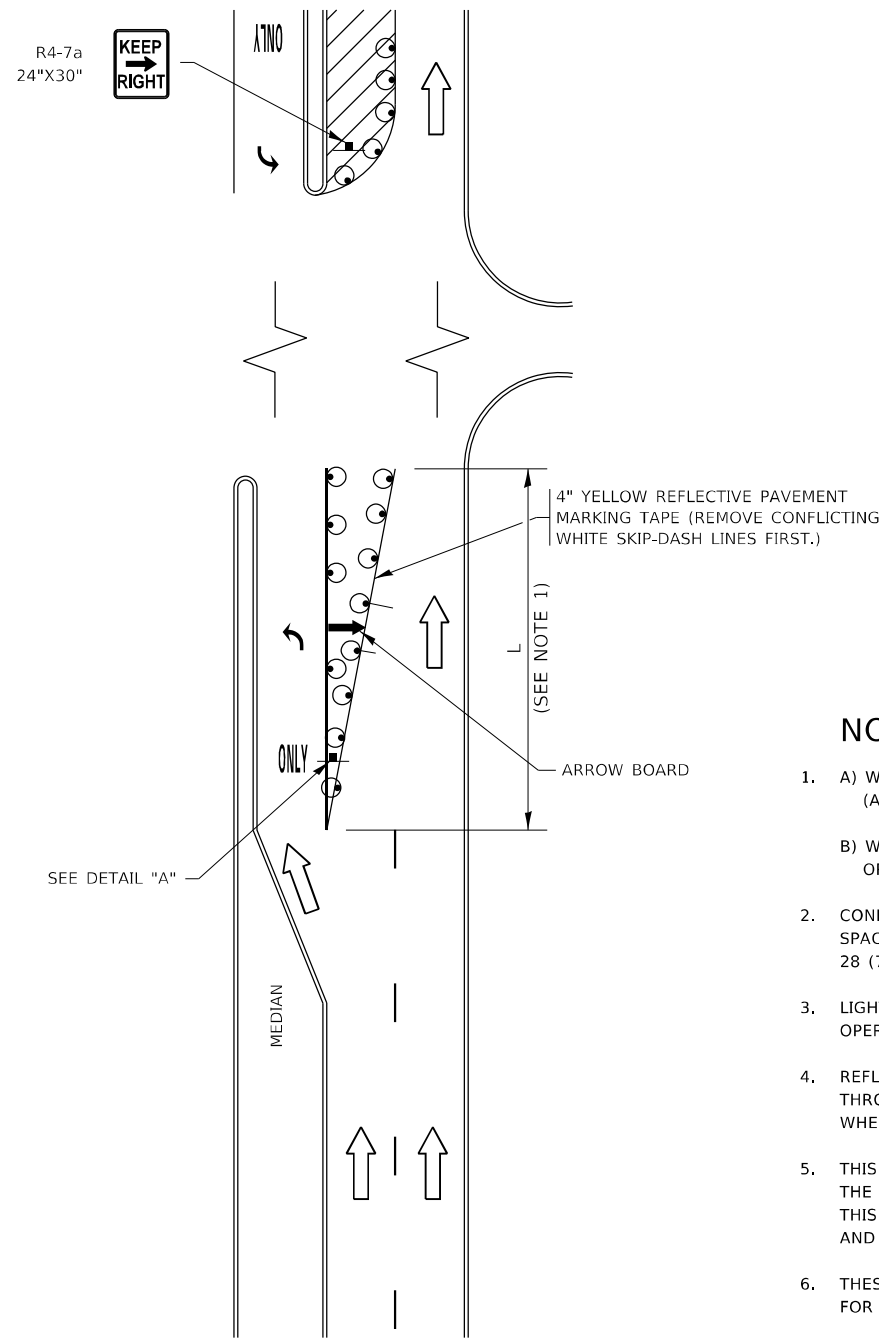


FIGURE 1

TURN BAY ENTRANCE WITHIN A LANE CLOSURE

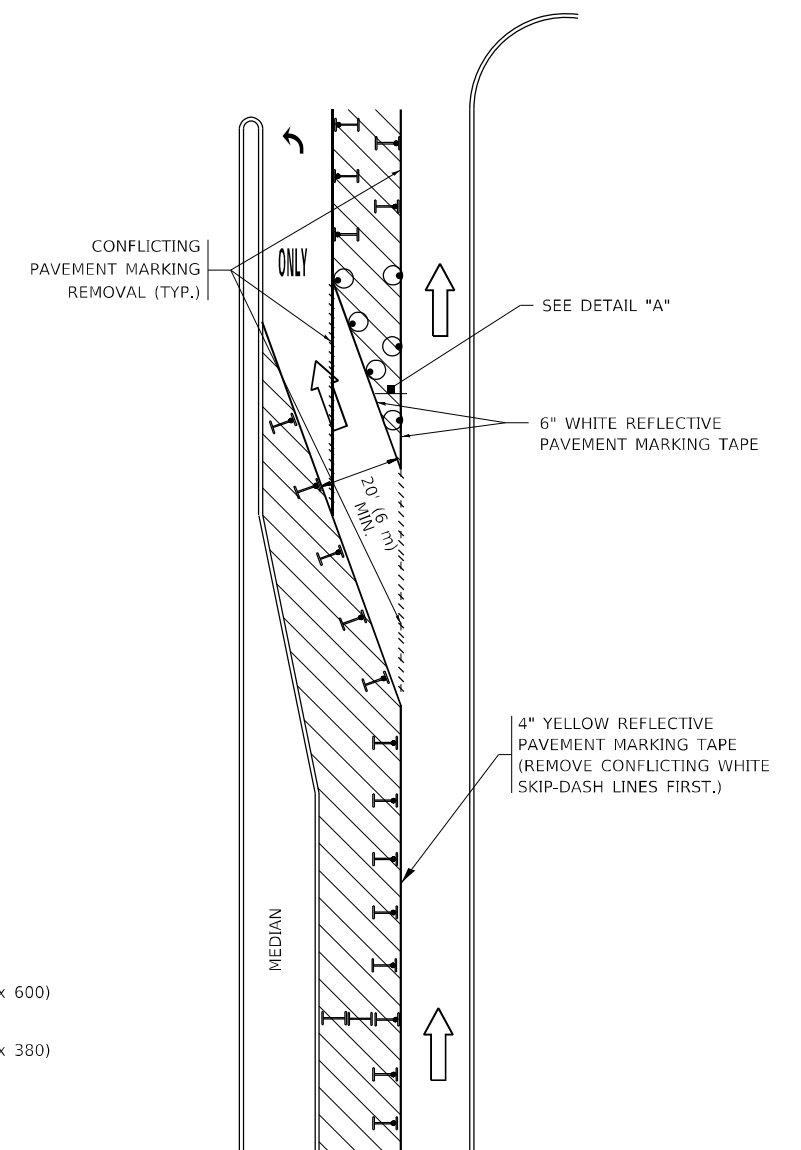


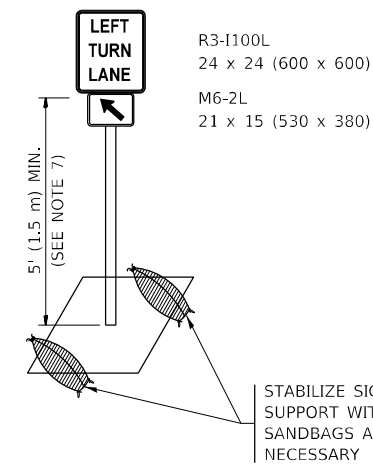
FIGURE 2

LEGEND

	WORK AREA
	LANE OPEN TO TRAFFIC
	ARROW BOARD
	TYPE I OR II BARRICADE OR DRUM WITH STEADY BURN LIGHT
	DRUM WITH STEADY BURN LIGHT
	SIGN ASSEMBLY
	TYPE I OR II CHECK BARRICADE WITH FLASHING LIGHT

NOTES:

1. A) WHEN "L" IS \leq THE STORAGE LENGTH OF THE TURN LANE (AS SHOWN IN FIG. 1), USE FIGURE 1.
 B) WHEN "L" IS $>$ THE STORAGE LENGTH OF THE TURN LANE OR THE TURN LANE IS WITHIN THE LANE CLOSURE, USE FIGURE 2.
2. CONES MAY BE SUBSTITUTED FOR BARRICADES OR DRUMS AT HALF THE SPACING DURING DAY OPERATIONS. CONES SHALL BE A MINIMUM OF 28 (710) IN HEIGHT.
3. LIGHTS WILL NOT BE REQUIRED ON BARRICADES OR DRUMS FOR DAY OPERATIONS. ALL LIGHTS SHALL BE MONODIRECTIONAL.
4. REFLECTIVE TEMPORARY PAVEMENT MARKINGS SHALL BE PLACED THROUGHOUT THE BARRICADED AREAS OF EACH TURN BAY AS SHOWN WHERE THE CLOSURE TIME IS GREATER THAN FOURTEEN (14) DAYS.
5. THIS APPLICATION ALSO APPLIES WHEN WORK IS BEING PERFORMED IN THE RIGHT LANE(S) AND THE RIGHT TURN BAY IS TO REMAIN OPEN. UNDER THIS CONDITION, "RIGHT TURN LANE" R3-1100R 24 x 24 (600 x 600) AND M6-2R 21 x 15 (530 x 380) SHALL BE USED.
6. THESE CONTROLS SHALL SUPPLEMENT MAINLINE TRAFFIC CONTROL FOR LANE CLOSURES.
7. THE SIGNS SHALL BE MOUNTED ABOVE THE BARRICADES/DRUMS ON SEPARATE SIGN SUPPORTS THAT MEET NCHRP 350 OR MASH REQUIREMENTS.
8. TRAFFIC CONTROL AND PROTECTION AT TURN BAYS (TO REMAIN OPEN TO TRAFFIC) SHALL BE INCLUDED IN THE COST OF SPECIFIED TRAFFIC CONTROL STANDARDS OR ITEMS.



DETAIL A

All dimensions are in inches (millimeters) unless otherwise shown.

MODEL: Default
 FILE NAME: p:\project-aw-beadby.com\PIV\DOT\Documents\DOT Office\District 11\Project\1123018\CADD\data\Design\1123018-act-eban.dgn

USER NAME = mldyja	DESIGNED - T. RAMMACHER 09-08-94	REVISED - R. BORO 09-14-09
	DRAWN - A. HOUSEH 11-07-95	REVISED - A. SCHUETZE 07-01-13
PLOT SCALE = 100,0000' / in.	CHECKED - A. HOUSEH 10-12-96	REVISED - A. SCHUETZE 09-15-16
PLOT DATE = 11/1/2021	DATE - T. RAMMACHER 01-06-00	REVISED -

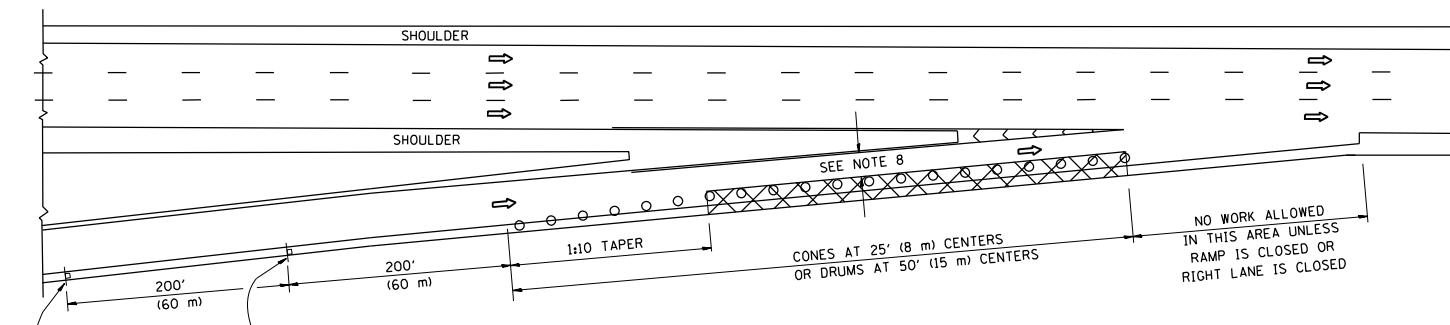
**STATE OF ILLINOIS
DEPARTMENT OF TRANSPORTATION**

**TRAFFIC CONTROL AND PROTECTION AT TURN BAYS
(TO REMAIN OPEN TO TRAFFIC)**

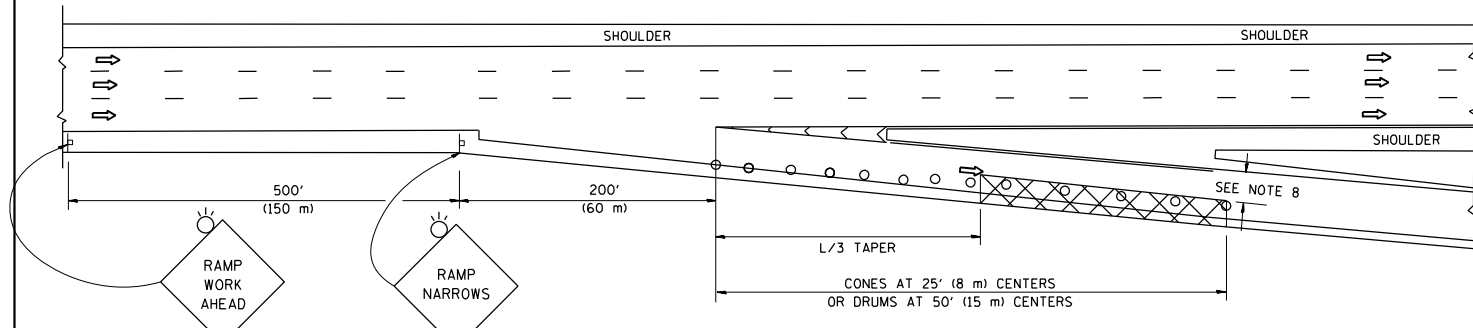
SCALE: NONE SHEET 1 OF 1 SHEETS STA. TO STA.

F.A. RTE.	SECTION	COUNTY	TOTAL SHEETS	SHEET NO.
VAR.	2021-204-1	VARIOUS	10	9
TC-14		CONTRACT NO. 62R15		
ILLINOIS FED. AID PROJECT				

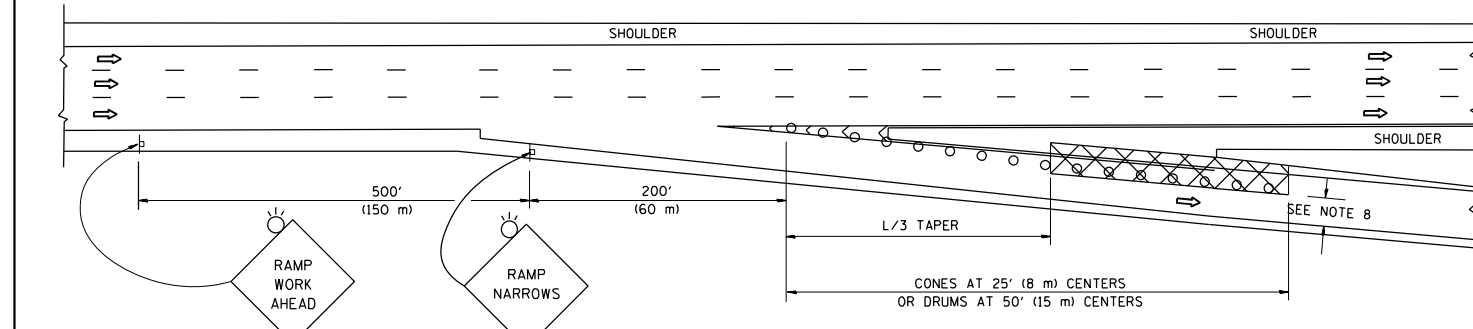
PARTIAL RAMP CLOSURE DETAILS



TYPICAL ENTRANCE RAMP



TYPICAL EXIT RAMP



TYPICAL EXIT RAMP

SYMBOLS

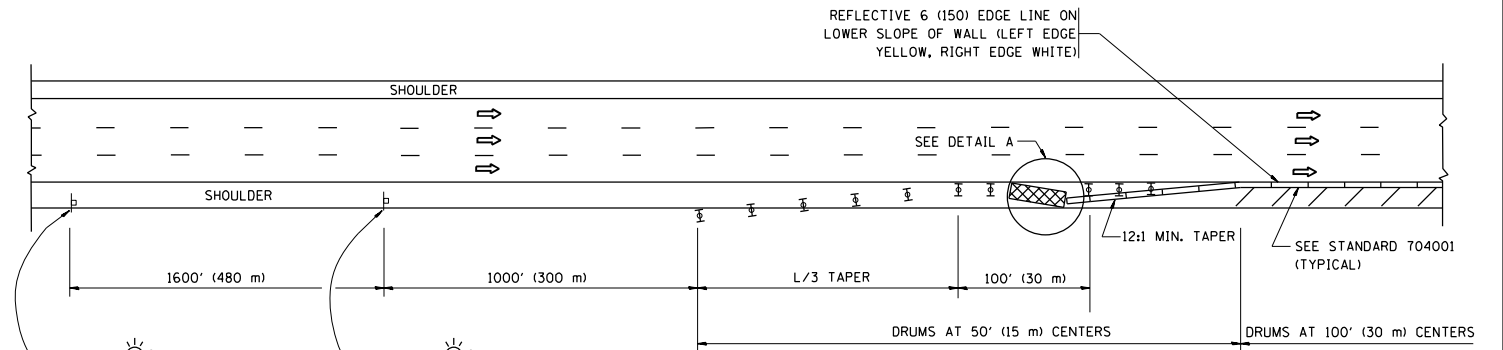
- ACTIVE WORK AREA
- SIGN ON PORTABLE OR PERMANENT SUPPORT
- FLAGGER WITH CONTROL SIGN
- TYPE II BARRICADE OR DRUM WITH STEADY BURN MONO-DIRECTIONAL LIGHT
- CONE, DRUM OR BARRICADE
- IMPACT ATTENUATOR OF TYPE AND TEST LEVEL SPECIFIED

GENERAL NOTES

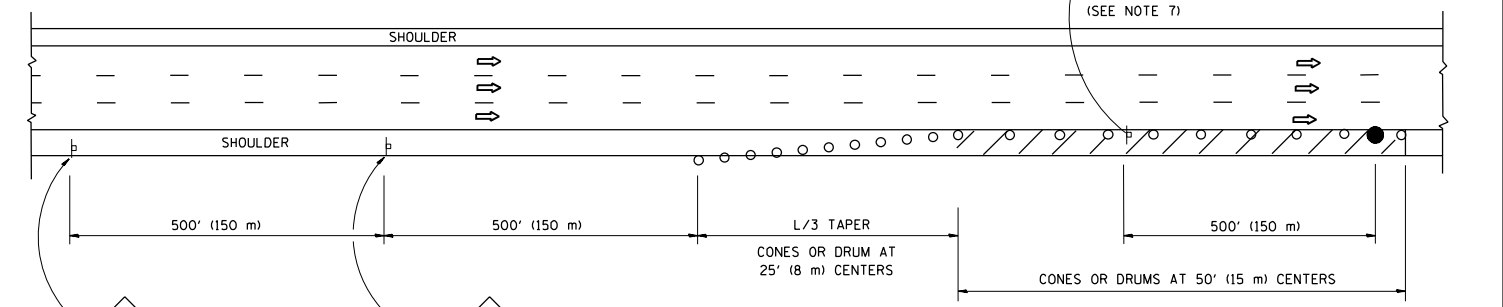
1. THE "L" DISTANCE EQUALS:

SPEED LIMIT	FORMULAS
45 mph (80 km/h) OR GREATER:	METRIC ENGLISH L=0.65(W)(S) L=(W)(S)
W = WIDTH OF OFFSET IN FEET (METERS)	
S = NORMAL POSTED SPEED MPH (KM/H)	
2. PLASTIC DRUMS WITH HIGH PERFORMANCE REFLECTIVE SHEETING AND STEADY BURNING LIGHTS ARE REQUIRED FOR ALL NIGHTTIME CLOSURES.
3. ALL SIGNS SHALL BE POST MOUNTED IF THE CLOSURE TIME EXCEEDS FOUR DAYS.
4. FLASHING LIGHTS SHALL BE USED DURING THE HOURS OF DARKNESS AND SHALL BE INSTALLED ABOVE THE FIRST TWO SETS OF SIGNS.

SHOULDER CLOSURE DETAILS

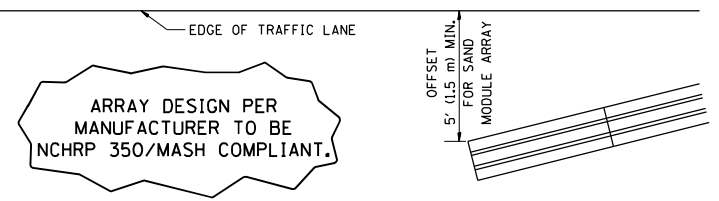


PERMANENT SHOULDER CLOSURE



DAYTIME SHOULDER CLOSURE

THIS DETAIL IS USED WHERE:
 1. VEHICLES, EQUIPMENT, WORKERS OR THEIR ACTIVITIES ENCRANCH IN AN AREA CLOSER THAN 15' (4.5 m) TO THE EDGE OF PAVEMENT FOR A PERIOD IN EXCESS OF 15 MINUTES.



DETAIL "A"
 IMPACT ATTENUATOR, TEMPORARY
 (SEE NOTE 5)

5. THE IMPACT ATTENUATOR, TEMPORARY IS NOT REQUIRED WHEN THE TEMPORARY CONCRETE BARRIER WALL IS PROTECTED BY OR IS TIED INTO THE EXISTING GUARDRAIL. IF OFFSET IS LESS THAN 5 FEET USE NARROW USE TYPE DEVICE TO MEET NCHRP350/MASH.
6. AUTHORIZATION FROM THE DISTRICT'S BUREAU OF TRAFFIC IS REQUIRED FOR ALL FREEWAY CLOSURES.
7. THE FLAGGER AND FLAGGER SIGN ARE REQUIRED AT THE ABOVE WORK SITES WHEN:
 - a. FOUR OR MORE WORK VEHICLES ENTER THE TRAFFIC LANES IN A ONE HOUR PERIOD.
 - b. THE WORK ACTIVITY REQUIRES FREQUENT ENCRANCHMENT INTO THE LANE OPEN TO TRAFFIC.
 THE FLAGGER SHALL BE STATIONED APPROXIMATELY 100' (30 m) TO 200' (60 m) IN ADVANCE OF THE WORKERS.
8. 12' MIN. WIDTH TANGENT SECTION
 16' MIN. WIDTH CURVE SECTION.

ALL DIMENSIONS ARE IN INCHES (MILLIMETERS) UNLESS OTHERWISE SHOWN.

FILE NAME =	USER NAME = midjje	DESIGNED -	REVISED - J.A.F. 12-06	STATE OF ILLINOIS DEPARTMENT OF TRANSPORTATION	TRAFFIC CONTROL DETAILS FOR FREEWAY SHOULDER CLOSURES AND PARTIAL RAMP CLOSURES			F.A. RTE.	SECTION	COUNTY	TOTAL SHEETS	SHEET NO.
pw:\idot-pw\bentley.com\PIDOT\Documents\IDOT Offices\District 1\Projects\0123918\CADD\Drawings\0123918\0123918.pln.dgn		DRAWN -	REVISED - S.P.B. 01-07		VAR.	2021-204-I	VARIOUS	10	10			
PLOT SCALE = 100.0000' / in.		CHECKED -	REVISED - S.P.B. 12-09		TC-17			CONTRACT NO. 62R15				
PLOT DATE = 11/1/2021		DATE -	REVISED - M.D. 06-13		SCALE: NONE	SHEET NO. 1 OF 1 SHEETS	STA. TO STA.	FED. ROAD DIST. NO. 1 ILLINOIS FED. AID PROJECT				