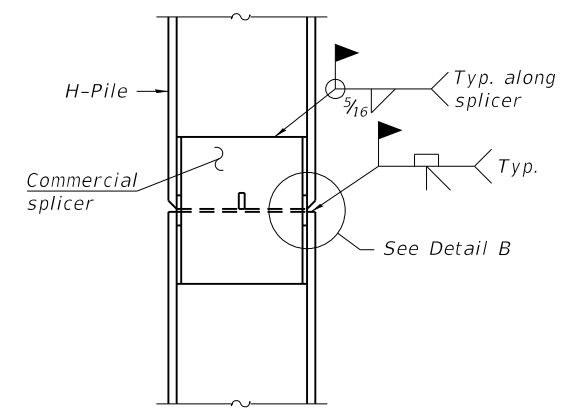
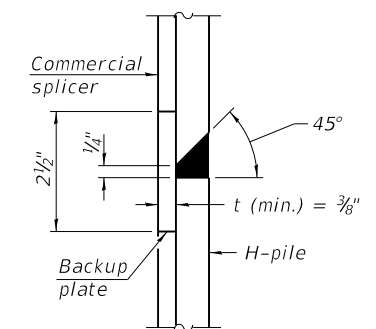


STEEL PILE TABLE

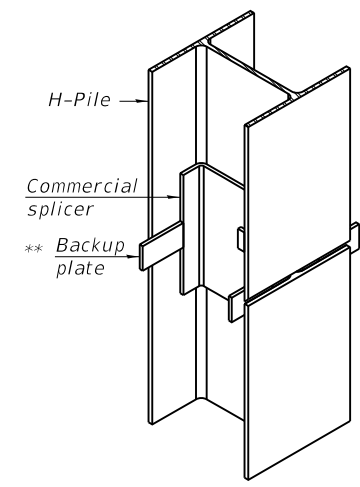
Designation	Depth d	Flange width bf	Web and Flange thickness t	Encasement diameter A
HP 14x117	14 1/4"	14 7/8"	1 3/16"	30"
x102	14"	14 3/4"	1 1/16"	30"
x89	13 7/8"	14 3/4"	5/8"	30"
x73	13 3/8"	14 3/8"	1/2"	30"
HP 12x84	12 1/4"	12 1/4"	1 1/16"	24"
x74	12 1/8"	12 1/4"	5/8"	24"
x63	12"	12 1/8"	1/2"	24"
x53	11 3/4"	12"	7/16"	24"
HP 10x57	10"	10 1/4"	9/16"	24"
x42	9 3/4"	10 1/8"	7/16"	24"
HP 8x36	8"	8 1/8"	7/16"	18"



ELEVATION

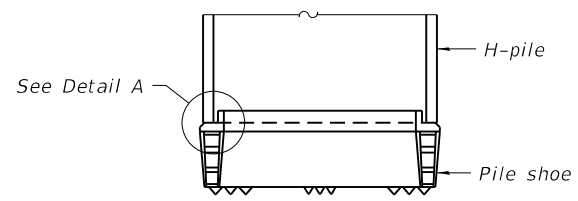


DETAIL "B"

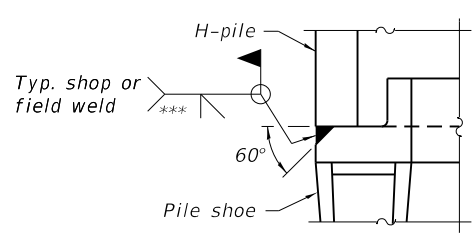


ISOMETRIC VIEW

WELDED COMMERCIAL SPLICE



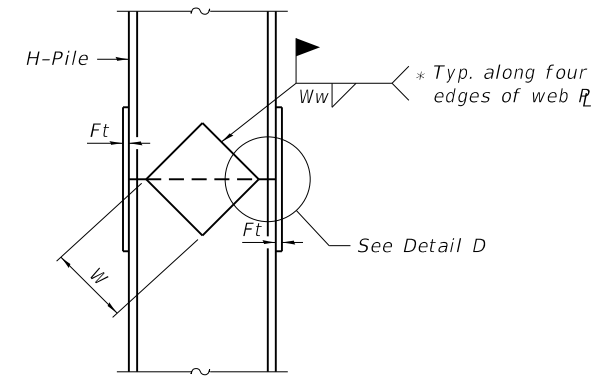
ELEVATION



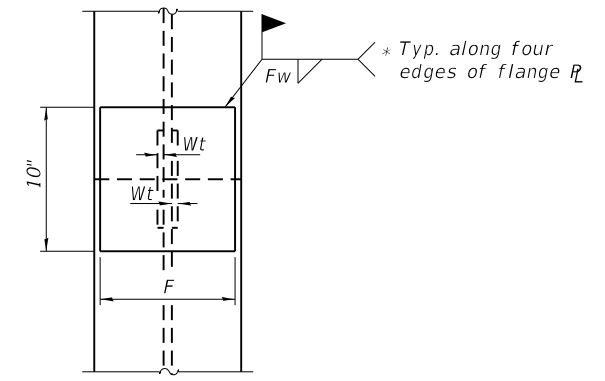
DETAIL A

SHOE ATTACHMENT

Note:
The steel H-piles shall be according to AASHTO M270 Grade 50.



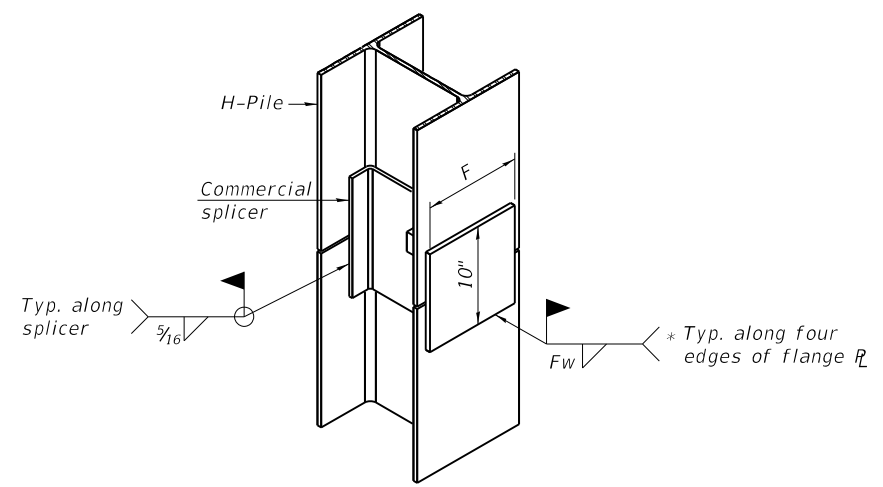
ELEVATION



END VIEW

Designation	F	Ft	Fw	W	Wt	Ww
HP 14x117	12 1/2"	1"	7/8"	7 3/4"	5/8"	1/2"
x102	12 1/2"	7/8"	3/4"	7 3/4"	5/8"	1/2"
x89	12 1/2"	3/4"	1 1/16"	7 3/4"	5/8"	1/2"
x73	12 1/2"	5/8"	9/16"	7 3/4"	5/8"	1/2"
HP 12x84	10"	7/8"	1 1/16"	6 1/2"	5/8"	1/2"
x74	10"	7/8"	1 1/16"	6 1/2"	5/8"	1/2"
x63	10"	5/8"	1/2"	6 1/2"	1/2"	3/8"
x53	10"	5/8"	1/2"	6 1/2"	1/2"	3/8"
HP 10x57	8"	3/4"	9/16"	5 1/4"	1/2"	3/8"
x42	8"	5/8"	9/16"	5 1/4"	1/2"	3/8"
HP 8x36	7"	5/8"	7/16"	4 1/4"	1/2"	3/8"

WELDED PLATE FIELD SPLICE



ISOMETRIC VIEW

WELDED COMMERCIAL SPLICE ALTERNATE

- * Interrupt welds 1/4" from end of web and/or each flange.
- ** Remove portions of backup plates that extend outside the flanges.
- *** Weld size per pile shoe manufacturer (5/16" min.).

MODEL SHEET
FILE NAME: p:\aecom\hp-pw\benley.com\AECOM_0516_MIA\Documents\60603202-Brush_College\00-CAD-GIS\03_SHEETS\01_LAYOUT\Structural\60603202_5-3_HP-Pile.dgn



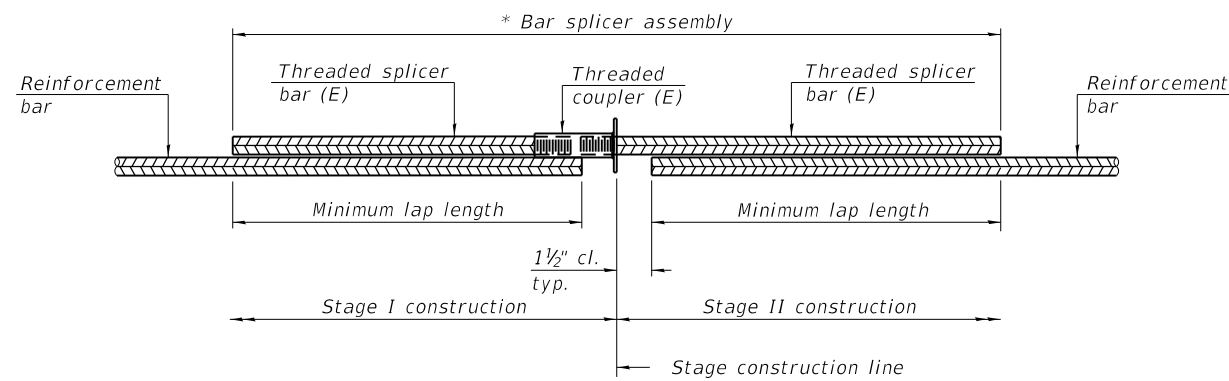
F-HP	1-1-2020	USER NAME = monica.crinion	DESIGNED - IIP	REVISED -
			CHECKED - MCC	REVISED -
		PLOT SCALE = N.T.S.	DRAWN - IIP	REVISED -
		PLOT DATE = 4/29/2021	CHECKED - MCC	REVISED -

**STATE OF ILLINOIS
DEPARTMENT OF TRANSPORTATION**

**HP PILE DETAILS
STRUCTURE NO. 058-9202**

SHEET NO. 5F-31 OF 5F-35 SHEETS

F.A.U. RTE.	SECTION	COUNTY	TOTAL SHEETS	SHEET NO.
7448	09-00933-01-BR	MACON	1019	701
CONTRACT NO. 95893				
ILLINOIS FED. AID PROJECT				

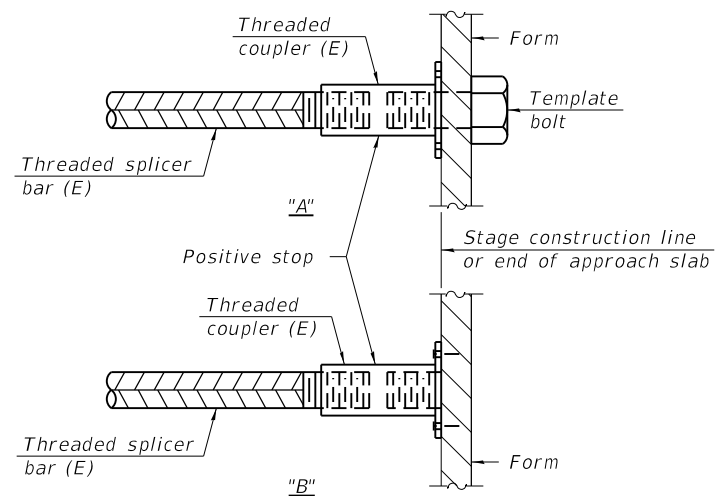


STANDARD BAR SPLICER ASSEMBLY PLAN
 (All components shall be provided from one supplier)

Threaded splicer bar length = min. lap length + 1 1/2" + thread length

* Epoxy not required on Bar Splicer Assembly components used in conjunction with black bars.

Location	Bar size	No. assemblies required	Minimum lap length

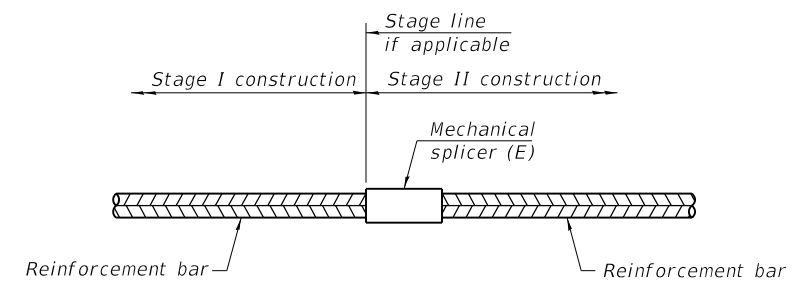


INSTALLATION AND SETTING METHODS

"A" : Set bar splicer assembly by means of a template bolt.

"B" : Set bar splicer assembly by nailing to wood forms or cementing to steel forms.

(E) : Indicates epoxy coating.



STANDARD MECHANICAL SPLICER

Location	Bar size	No. assemblies required
S. Abut.	#11	11
N. Abut.	#11	11
Pier Cap	#5	10
Pier Cap	#10	16
Pier Crashwall	#6	64

Notes:

Splicer bars shall be deformed with threaded ends and have a minimum 60 ksi yield strength.

All reinforcement shall be lapped and tied to the splicer bars.

Bar splicer assemblies shall be epoxy coated according to the requirements for reinforcement bars. See Section 508 of the Standard Specifications.

See approved list of bar splicer assemblies and mechanical splicers for alternatives.

MODEL: Sheet
 FILE NAME: pw:\aecom-nw-bentley.com\AECOM_0516_MA\Documents\60603202-Brush_College\00-CAD_GIS\010_CAD\03_SHEETS\01_AECOM\Structural\60603202_5-32_Bar-Splicer-Details.dgn

BSD-1

1-1-2020



USER NAME = monica.crinion	DESIGNED - MCC	REVISED -
CHECKED - ATB	REVISIONS -	
PLOT SCALE = N.T.S.	DRAWN - MCC	REVISED -
PLOT DATE = 4/29/2021	CHECKED - ATB	REVISED -

**STATE OF ILLINOIS
 DEPARTMENT OF TRANSPORTATION**

**BAR SPLICER ASSEMBLY & MECHANICAL BAR SPLICER DETAILS
 STRUCTURE NO. 058-9202**

SHEET NO. 5F-32 OF 5F-35 SHEETS

F.A.U. RTE.	SECTION	COUNTY	TOTAL SHEETS	SHEET NO.
7448	09-00933-01-BR	MACON	1019	702
CONTRACT NO. 95893				
ILLINOIS		FED. AID PROJECT		



SOIL BORING LOG

Page 1 of 2
Project #: 313516
Date 04/01/13

ROUTE DESCRIPTION BRUSH COLLEGE ROAD LOGGED BY CM

SECTION LOCATION DECATUR, IL

COUNTY MACON STRUCTURE NO. (Exist) (Prop.)

BORING NO. B-15 DRILLING METHOD HOLLOW STEM HAMMER TYPE 140# SAFETY HAMMER

Table with columns for Station, Offset, Ground Surface Elev., and various soil parameters.

Main soil log table with columns for SOIL DESCRIPTION, (ft.), (ft.), /6", (tsf), (%) and SOIL DESCRIPTION, (ft.), (ft.), /6", (tsf), (%).

The Unconfined Compressive Strength (UCS) Failure Mode is indicated by (B-Bulge, S-Shear, P-Penetrometer). The Standard Penetration Test (SPT) N Value is per (AASHTO T206)

BBS 137 (9/05)



SOIL BORING LOG

Page 2 of 2
Project #: 313516
Date 04/01/13

ROUTE DESCRIPTION BRUSH COLLEGE ROAD LOGGED BY CM

SECTION LOCATION DECATUR, IL

COUNTY MACON STRUCTURE NO. (Exist) (Prop.)

BORING NO. B-15 DRILLING METHOD HOLLOW STEM HAMMER TYPE 140# SAFETY HAMMER

Table with columns for Station, Offset, Ground Surface Elev., and various soil parameters.

Main soil log table with columns for SOIL DESCRIPTION, (ft.), (ft.), /6", (tsf), (%) and SOIL DESCRIPTION, (ft.), (ft.), /6", (tsf), (%).

The Unconfined Compressive Strength (UCS) Failure Mode is indicated by (B-Bulge, S-Shear, P-Penetrometer). The Standard Penetration Test (SPT) N Value is per (AASHTO T206)

BBS 137 (9/05)



SOIL BORING LOG

Page 1 of 2
Project #: 313516
Date 04/12/13

ROUTE DESCRIPTION BRUSH COLLEGE ROAD LOGGED BY CM,BG,CH,JM

SECTION LOCATION DECATUR, IL

COUNTY MACON STRUCTURE NO. (Exist) (Prop.)

BORING NO. B-16 DRILLING METHOD HOLLOW STEM HAMMER TYPE 140# SAFETY HAMMER

Table with columns for Station, Offset, Ground Surface Elev., and various soil parameters.

Main soil log table with columns for SOIL DESCRIPTION, (ft.), (ft.), /6", (tsf), (%) and SOIL DESCRIPTION, (ft.), (ft.), /6", (tsf), (%).

The Unconfined Compressive Strength (UCS) Failure Mode is indicated by (B-Bulge, S-Shear, P-Penetrometer). The Standard Penetration Test (SPT) N Value is per (AASHTO T206)

BBS 137 (9/05)

MODEL Sheet FILE NAME: pw:\aecom\m-pw-bentley.com\AECOM_0516_MIA\Documents\60603202-Brush_College\00-CAD_GIS\010_CAD\03_SHEETS\10_LAECOM\Structural\60603202_5-31_boring_logs_ldgn



Table with columns for USER NAME, DESIGNED, CHECKED, PLOT SCALE, PLOT DATE, REVISED, DRAWN, CHECKED.

STATE OF ILLINOIS DEPARTMENT OF TRANSPORTATION

SOIL BORING LOGS I STRUCTURE NO. 058-9202

SHEET NO. 5F-33 OF 5F-35 SHEETS

Table with columns for F.A.U. RTE., SECTION, COUNTY, TOTAL SHEETS, SHEET NO., CONTRACT NO.

ILLINOIS FED. AID PROJECT



SOIL BORING LOG

Page 2 of 2
 Project #: 313516
 Date 04/12/13

ROUTE _____ DESCRIPTION BRUSH COLLEGE ROAD LOGGED BY CM,BG,CH,JM
 SECTION _____ LOCATION DECATUR, IL
 COUNTY MACON STRUCTURE NO. _____ (Exist) _____ (Prop.) _____

BORING NO. B-16 DRILLING METHOD HOLLOW STEM HAMMER TYPE 140# SAFETY HAMMER
 Station _____ By URS
 Offset _____ By URS
 Ground Surface Elev. 675.023 (ft.)

SOIL DESCRIPTION	(ft.)	(ft.)	/6"	(tsf)	Q _u	SPT	SOIL DESCRIPTION	(ft.)	(ft.)	/6"	(tsf)	Q _u	SPT
END OF BORING @ 71.0 FT.	70	22											
		27											
		29											
	75												
	80												
	85												
	90												
	95												
	100												

The Unconfined Compressive Strength (UCS) Failure Mode is indicated by (B-Bulge, S-Shear, P-Penetrometer).
 The Standard Penetration Test (SPT) N Value is per (AASHTO T206)

BBS 137 (9/05)



SOIL BORING LOG

Page 1 of 2
 Project #: 916780
 Date 03/2/20

ROUTE _____ DESCRIPTION BRUSH COLLEGE ROAD LOGGED BY GC/EE
 SECTION _____ LOCATION DECATUR, ILLINOIS
 COUNTY MACON COUNTY STRUCTURE NO. _____ (Exist) _____ (Prop.) _____

BORING NO. B-24 DRILLING METHOD MUD ROTARY HAMMER TYPE 140# SAFETY HAMMER
 Station _____
 Offset _____
 Ground Surface Elev. 673.694 (ft.)

SOIL DESCRIPTION	(ft.)	(ft.)	/6"	(tsf)	Q _u	SPT	SOIL DESCRIPTION	(ft.)	(ft.)	/6"	(tsf)	Q _u	SPT
14" CONCRETE													
SAND A-1-a													
Brown, moist, medium dense, fine-medium, trace gravel													
-loose													
-very loose-loose													
(*)free water 7.5'													
-loose													
CLAY LOAM A-6													
Brown, moist, very stiff, low plasticity, with sand trace gravel													
SAND A-1-a													
Gray, saturated, medium dense, fine-medium, trace silt													
CLAY LOAM A-6													
Gray, moist, very stiff, low plasticity, with sand trace gravel													
-hard													
-begin mud rotary drilling													
SAND A-1-a													
Gray, saturated, very dense, fine-coarse, trace gravel													
CLAY LOAM A-6													
Gray, moist, hard, low plasticity, with sand trace gravel													
-dense													
-very dense													

The Unconfined Compressive Strength (UCS) Failure Mode is indicated by (B-Bulge, S-Shear, P-Penetrometer).
 The Standard Penetration Test (SPT) N Value is per (AASHTO T206)

BBS 137 (9/05)



SOIL BORING LOG

Page 2 of 2
 Project #: 916780
 Date 03/2/20

ROUTE _____ DESCRIPTION BRUSH COLLEGE ROAD LOGGED BY GC/EE
 SECTION _____ LOCATION DECATUR, ILLINOIS
 COUNTY MACON COUNTY STRUCTURE NO. _____ (Exist) _____ (Prop.) _____

BORING NO. B-24 DRILLING METHOD MUD ROTARY HAMMER TYPE 140# SAFETY HAMMER
 Station _____
 Offset _____
 Ground Surface Elev. 673.694 (ft.)

SOIL DESCRIPTION	(ft.)	(ft.)	/6"	(tsf)	Q _u	SPT	SOIL DESCRIPTION	(ft.)	(ft.)	/6"	(tsf)	Q _u	SPT
CLAY LOAM A-6													
Gray, moist, hard, low plasticity, with sand trace gravel													
-no recovery													
-dense													
-no recovery													
-very dense													
-no recovery													
-no recovery													
-no recovery													
-no recovery													
-Shale begins at 125.5'													
SHALE													
Gray, moist, very dense, low plasticity, weathered													
END OF BORING @ 130.0 FT.													

The Unconfined Compressive Strength (UCS) Failure Mode is indicated by (B-Bulge, S-Shear, P-Penetrometer).
 The Standard Penetration Test (SPT) N Value is per (AASHTO T206)

BBS 137 (9/05)

MODEL: Sheet FILE NAME: pw:\aecom-nw-pw-bentley.com\AECOM_0516_MIA\Documents\60603202-Brush_College\00-CAD_GIS\910_CAD\03_SHEETS\10_LAECOM\Structural\60603202_5-34_boring_logs_1.dgn



USER NAME = monica.crinion	DESIGNED -	REVISED -
PLOT SCALE = N.T.S.	CHECKED -	REVISED -
PLOT DATE = 4/29/2021	DRAWN - GF	REVISED -
	CHECKED - MCC	REVISED -

STATE OF ILLINOIS
 DEPARTMENT OF TRANSPORTATION

SOIL BORING LOGS II
 STRUCTURE NO. 058-9202
 SHEET NO. 5F-34 OF 5F-35 SHEETS

F.A.U. RTE.	SECTION	COUNTY	TOTAL SHEETS	SHEET NO.
7448	09-00933-01-BR	MACON	1019	704
CONTRACT NO. 95893				
ILLINOIS FED. AID PROJECT				

SOIL BORING LOG

ROUTE DESCRIPTION BRUSH COLLEGE ROAD LOGGED BY
SECTION LOCATION DECATUR, ILLINOIS
COUNTY MACON COUNTY STRUCTURE NO. (Exist) (Prop.)
BORING NO. B-25 DRILLING METHOD HAMMER TYPE 140# SAFETY HAMMER

					Surface Water Elev.					
					(ft.)					
					Groundwater Elev.					
					First Encounter					
					658.00					
					Upon Completion					
					-					
					After					
					Hrs.					
					(ft.)					
ELEV	DEPTH	BLOWS	UCS	MOIST	ELEV	DEPTH	BLOWS	UCS	MOIST	
(ft.)	(ft.)	/6"	(tsf)	(%)	(ft.)	(ft.)	/6"	(tsf)	(%)	
SOIL DESCRIPTION										
16" CONCRETE					35	34				
SILTY CLAY A-6						60-5			11.5	
Brown, very moist, very stiff, low plasticity, trace sand										
-silty tube										
SAND A-1-a										
Brown, very moist, loose, fine-medium, trace silt							4.6		10.4	
CLAY LOAM A-6										
Brown, moist, stiff, low plasticity, little sand, trace gravel										
-hard										
(*)free water @ 17.0'										
CLAY LOAM A-6										
Gray, moist, very stiff, low plasticity, with sand, trace gravel										
-hard										
-very stiff										
-2 attempts no recovery										
-begin mud rotary drilling										
-hard										
SAND A-1-a										
Gray, saturated, very dense, fine-coarse, trace gravel										

The Unconfined Compressive Strength (UCS) Failure Mode is indicated by (B-Bulge, S-Shear, P-Penetrator). The Standard Penetration Test (SPT) N Value is per (AASHTO T206)

BBS 137 (9/05)

SOIL BORING LOG

ROUTE DESCRIPTION BRUSH COLLEGE ROAD LOGGED BY
SECTION LOCATION DECATUR, ILLINOIS
COUNTY MACON COUNTY STRUCTURE NO. (Exist) (Prop.)
BORING NO. B-25 DRILLING METHOD HAMMER TYPE 140# SAFETY HAMMER

					Surface Water Elev.					
					(ft.)					
					Groundwater Elev.					
					First Encounter					
					658.00					
					Upon Completion					
					-					
					After					
					Hrs.					
					(ft.)					
ELEV	DEPTH	BLOWS	UCS	MOIST	ELEV	DEPTH	BLOWS	UCS	MOIST	
(ft.)	(ft.)	/6"	(tsf)	(%)	(ft.)	(ft.)	/6"	(tsf)	(%)	
SOIL DESCRIPTION										
CLAY LOAM A-6										
Gray, moist, hard, low plasticity, with sand, trace gravel										14.3
-dense										
SAND A-3										
Gray, saturated, very dense, fine										
SHALE										
Gray, moist, very dense, weathered										
END OF BORING @ 130.0 FT.										

The Unconfined Compressive Strength (UCS) Failure Mode is indicated by (B-Bulge, S-Shear, P-Penetrator). The Standard Penetration Test (SPT) N Value is per (AASHTO T206)

BBS 137 (9/05)

MODEL: Sheet
FILE NAME: pw:\mecom-nw-pw-bentley.com\AECOM\0516\Documents\60603202-Brush-College\00-0-CAD-GIS\03_SHEETS\01_LAYOUT\Structure\60603202_5-35_Boring_Logs_III.dgn



USER NAME = monica.crinion	DESIGNED -	REVISED -
PLOT SCALE = N.T.S.	CHECKED -	REVISED -
PLOT DATE = 4/29/2021	DRAWN - GF	REVISED -
	CHECKED - MCC	REVISED -

STATE OF ILLINOIS
DEPARTMENT OF TRANSPORTATION

SOIL BORING LOGS III
STRUCTURE NO. 058-9202

SHEET NO. 5F-35 OF 5F-35 SHEETS

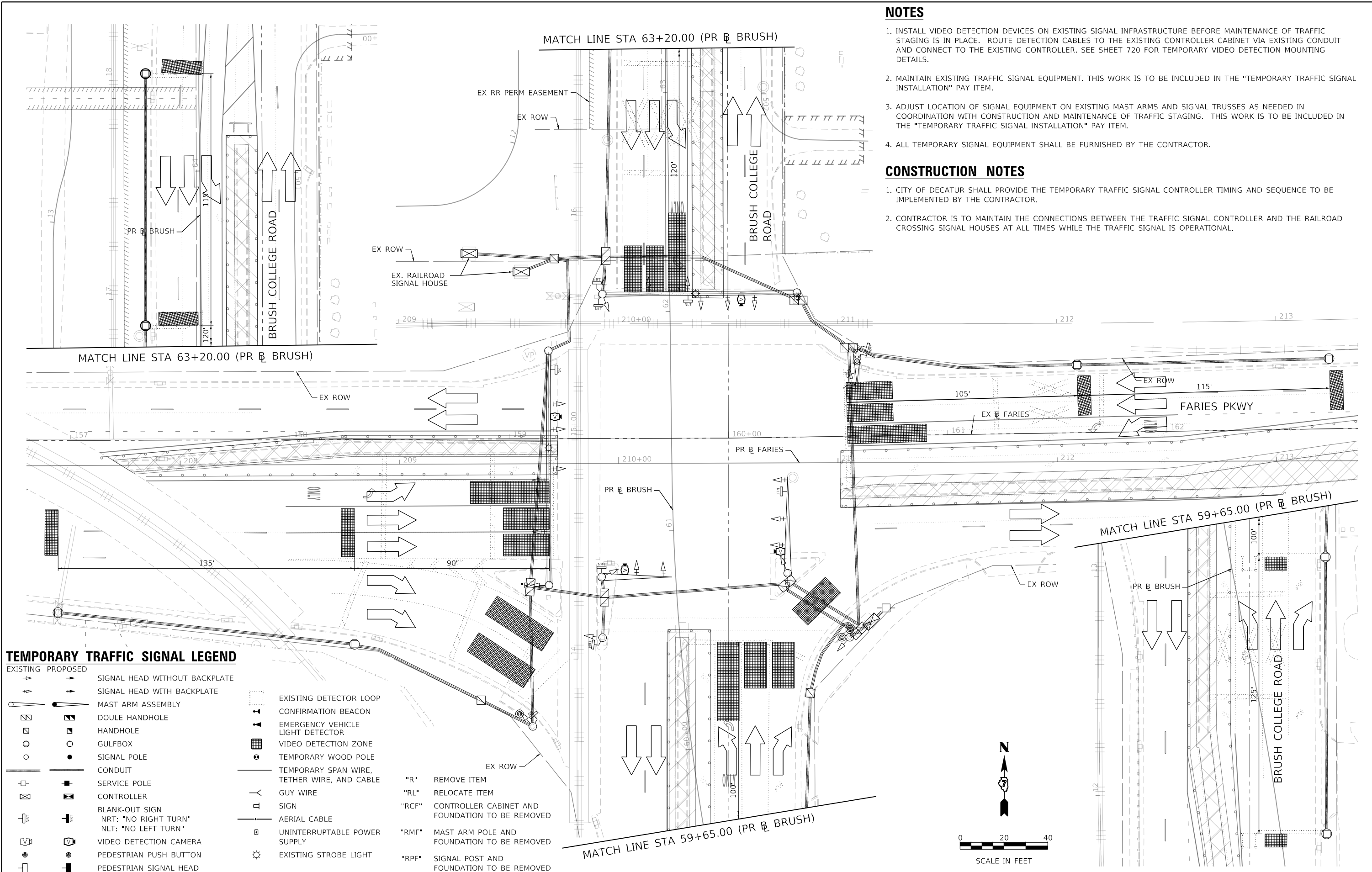
F.A.U. RTE. 7448	SECTION 09-00933-01-BR	COUNTY MACON	TOTAL SHEETS 1019	SHEET NO. 705
CONTRACT NO. 95893				
ILLINOIS FED. AID PROJECT				

NOTES

1. INSTALL VIDEO DETECTION DEVICES ON EXISTING SIGNAL INFRASTRUCTURE BEFORE MAINTENANCE OF TRAFFIC STAGING IS IN PLACE. ROUTE DETECTION CABLES TO THE EXISTING CONTROLLER CABINET VIA EXISTING CONDUIT AND CONNECT TO THE EXISTING CONTROLLER. SEE SHEET 720 FOR TEMPORARY VIDEO DETECTION DETAILS.
2. MAINTAIN EXISTING TRAFFIC SIGNAL EQUIPMENT. THIS WORK IS TO BE INCLUDED IN THE "TEMPORARY TRAFFIC SIGNAL INSTALLATION" PAY ITEM.
3. ADJUST LOCATION OF SIGNAL EQUIPMENT ON EXISTING MAST ARMS AND SIGNAL TRUSSES AS NEEDED IN COORDINATION WITH CONSTRUCTION AND MAINTENANCE OF TRAFFIC STAGING. THIS WORK IS TO BE INCLUDED IN THE "TEMPORARY TRAFFIC SIGNAL INSTALLATION" PAY ITEM.
4. ALL TEMPORARY SIGNAL EQUIPMENT SHALL BE FURNISHED BY THE CONTRACTOR.

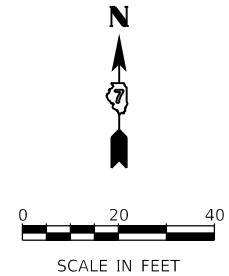
CONSTRUCTION NOTES

1. CITY OF DECATUR SHALL PROVIDE THE TEMPORARY TRAFFIC SIGNAL CONTROLLER TIMING AND SEQUENCE TO BE IMPLEMENTED BY THE CONTRACTOR.
2. CONTRACTOR IS TO MAINTAIN THE CONNECTIONS BETWEEN THE TRAFFIC SIGNAL CONTROLLER AND THE RAILROAD CROSSING SIGNAL HOUSES AT ALL TIMES WHILE THE TRAFFIC SIGNAL IS OPERATIONAL.



TEMPORARY TRAFFIC SIGNAL LEGEND

EXISTING	PROPOSED		
		SIGNAL HEAD WITHOUT BACKPLATE	
		SIGNAL HEAD WITH BACKPLATE	
		MAST ARM ASSEMBLY	
		DOUBLE HANDHOLE	
		HANDHOLE	
		GULFBOX	
		SIGNAL POLE	
		CONDUIT	
		SERVICE POLE	
		CONTROLLER	
		BLANK-OUT SIGN	
		NRT: "NO RIGHT TURN"	
		NLT: "NO LEFT TURN"	
		VIDEO DETECTION CAMERA	
		PEDESTRIAN PUSH BUTTON	
		PEDESTRIAN SIGNAL HEAD	
		EXISTING DETECTOR LOOP	
		CONFIRMATION BEACON	
		EMERGENCY VEHICLE LIGHT DETECTOR	
		VIDEO DETECTION ZONE	
		TEMPORARY WOOD POLE	
		TEMPORARY SPAN WIRE, TETHER WIRE, AND CABLE	
		GUY WIRE	
		SIGN	
		AERIAL CABLE	
		UNINTERRUPTIBLE POWER SUPPLY	
		EXISTING STROBE LIGHT	
		"R" REMOVE ITEM	
		"RL" RELOCATE ITEM	
		"RCF" CONTROLLER CABINET AND FOUNDATION TO BE REMOVED	
		"RMF" MAST ARM POLE AND FOUNDATION TO BE REMOVED	
		"RPF" SIGNAL POST AND FOUNDATION TO BE REMOVED	



MODEL: Default
 FILE NAME: p:\aecom\m-pw\benley.com\AECOM_0516_MA\Documents\60603202-Brush_College\00-CAD_GIS\910_CAD\03_SHEETS\01_AECOM\Roadway\60603202_SHT_TempSignal_01



USER NAME = patrick.jordan	DESIGNED - PTJ	REVISED -
PLOT SCALE = 40.0000' / in.	DRAWN - PTJ	REVISED -
PLOT DATE = 10/21/2021	CHECKED - MIL	REVISED -
	DATE - 10/22/2021	REVISED -

**STATE OF ILLINOIS
DEPARTMENT OF TRANSPORTATION**

**BRUSH COLLEGE ROAD & EAST FARIES PARKWAY
TEMPORARY TRAFFIC SIGNAL PLAN - PRE-STAGE A**

SCALE: 1"=20' SHEET 1 OF 15 SHEETS STA. TO STA. 52+00.00

F.A.U. RTE. 7448	SECTION 09-00933-01-BR	COUNTY MACON	TOTAL SHEETS 1019	SHEET NO. 706
CONTRACT NO. 95893				
ILLINOIS FED. AID PROJECT				

NOTES

- ADJUST LOCATION OF SIGNAL EQUIPMENT AND VIDEO DETECTION EQUIPMENT ON EXISTING MAST ARMS AND SIGNAL TRUSSES AS NEEDED IN COORDINATION WITH CONSTRUCTION AND MAINTENANCE OF TRAFFIC STAGING. THIS WORK IS TO BE INCLUDED IN THE "TEMPORARY TRAFFIC SIGNAL INSTALLATION" PAY ITEM.

CONSTRUCTION NOTES

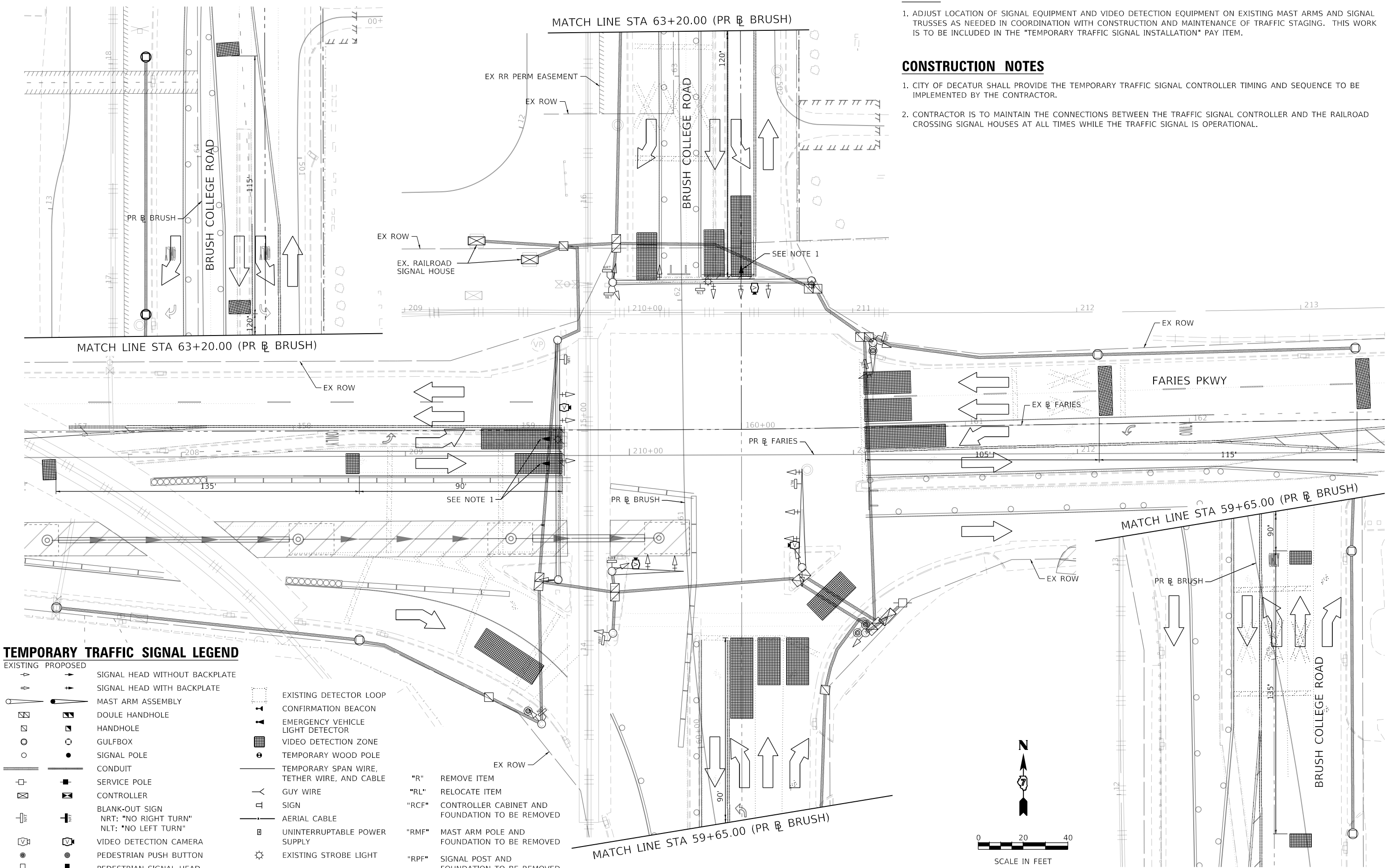
- CITY OF DECATUR SHALL PROVIDE THE TEMPORARY TRAFFIC SIGNAL CONTROLLER TIMING AND SEQUENCE TO BE IMPLEMENTED BY THE CONTRACTOR.
- CONTRACTOR IS TO MAINTAIN THE CONNECTIONS BETWEEN THE TRAFFIC SIGNAL CONTROLLER AND THE RAILROAD CROSSING SIGNAL HOUSES AT ALL TIMES WHILE THE TRAFFIC SIGNAL IS OPERATIONAL.

MATCH LINE STA 63+20.00 (PR BRUSH)

MATCH LINE STA 63+20.00 (PR BRUSH)

MATCH LINE STA 59+65.00 (PR BRUSH)

MATCH LINE STA 59+65.00 (PR BRUSH)



TEMPORARY TRAFFIC SIGNAL LEGEND

- | | | |
|---|--|--|
| <ul style="list-style-type: none"> EXISTING → PROPOSED → SIGNAL HEAD WITHOUT BACKPLATE SIGNAL HEAD WITH BACKPLATE MAST ARM ASSEMBLY DOUBLE HANDHOLE HANDHOLE GULFBOX SIGNAL POLE CONDUIT SERVICE POLE CONTROLLER BLANK-OUT SIGN NRT: "NO RIGHT TURN" NLT: "NO LEFT TURN" VIDEO DETECTION CAMERA PEDESTRIAN PUSH BUTTON PEDESTRIAN SIGNAL HEAD | <ul style="list-style-type: none"> EXISTING DETECTOR LOOP CONFIRMATION BEACON EMERGENCY VEHICLE LIGHT DETECTOR VIDEO DETECTION ZONE TEMPORARY WOOD POLE TEMPORARY SPAN WIRE, TETHER WIRE, AND CABLE GUY WIRE SIGN AERIAL CABLE UNINTERRUPTIBLE POWER SUPPLY EXISTING STROBE LIGHT | <ul style="list-style-type: none"> "R" REMOVE ITEM "RL" RELOCATE ITEM "RCF" CONTROLLER CABINET AND FOUNDATION TO BE REMOVED "RMF" MAST ARM POLE AND FOUNDATION TO BE REMOVED "RPF" SIGNAL POST AND FOUNDATION TO BE REMOVED |
|---|--|--|

MODEL: Default
 FILE NAME: p:\aecom\m-pw\benley.com\AECOM_0516_MA\Documents\60603202-Brush_College\00-CAD_GIS\910_CAD\03_SHEETS\01_AECOM\Roadway\60603202_SHT_TempSignal_02



USER NAME = patrick.jordan
 DESIGNED - PTJ
 DRAWN - PTJ
 PLOT SCALE = 40,0000 ' / in.
 CHECKED - MJL
 PLOT DATE = 10/21/2021
 DATE - 10/22/2021

DESIGNED - PTJ
 DRAWN - PTJ
 CHECKED - MJL
 DATE - 10/22/2021

REVISED -
 REVISED -
 REVISED -
 REVISED -

STATE OF ILLINOIS
 DEPARTMENT OF TRANSPORTATION

BRUSH COLLEGE ROAD & EAST FARIES PARKWAY
 TEMPORARY TRAFFIC SIGNAL PLAN - PRE-STAGE B

SCALE: 1"=20' SHEET 2 OF 15 SHEETS STA. TO STA, 52+00.00

F.A.U. RTE.	SECTION	COUNTY	TOTAL SHEETS	SHEET NO.
7448	09-00933-01-BR	MACON	1019	707
CONTRACT NO. 95893				
ILLINOIS FED. AID PROJECT				

NOTES

1. ADJUST LOCATION OF SIGNAL EQUIPMENT AND VIDEO DETECTION EQUIPMENT ON EXISTING MAST ARMS AND SIGNAL TRUSSES AS NEEDED IN COORDINATION WITH CONSTRUCTION AND MAINTENANCE OF TRAFFIC STAGING. THIS WORK IS TO BE INCLUDED IN THE "TEMPORARY TRAFFIC SIGNAL INSTALLATION" PAY ITEM.

CONSTRUCTION NOTES

1. CITY OF DECATUR SHALL PROVIDE THE TEMPORARY TRAFFIC SIGNAL CONTROLLER TIMING AND SEQUENCE TO BE IMPLEMENTED BY THE CONTRACTOR.
2. CONTRACTOR IS TO MAINTAIN THE CONNECTIONS BETWEEN THE TRAFFIC SIGNAL CONTROLLER AND THE RAILROAD CROSSING SIGNAL HOUSES AT ALL TIMES WHILE THE TRAFFIC SIGNAL IS OPERATIONAL.

MATCH LINE STA 63+20.00 (PR BRUSH)

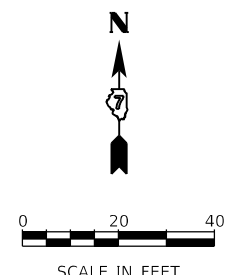
MATCH LINE STA 63+20.00 (PR BRUSH)

MATCH LINE STA 59+65.00 (PR BRUSH)

MATCH LINE STA 59+65.00 (PR BRUSH)

TEMPORARY TRAFFIC SIGNAL LEGEND

EXISTING	PROPOSED		
		SIGNAL HEAD WITHOUT BACKPLATE	
		SIGNAL HEAD WITH BACKPLATE	
		MAST ARM ASSEMBLY	
		DOUBLE HANDHOLE	
		HANDHOLE	
		GULFBOX	
		SIGNAL POLE	
		CONDUIT	
		SERVICE POLE	
		CONTROLLER	
		BLANK-OUT SIGN	
		NRT: "NO RIGHT TURN"	
		NLT: "NO LEFT TURN"	
		VIDEO DETECTION CAMERA	
		PEDESTRIAN PUSH BUTTON	
		PEDESTRIAN SIGNAL HEAD	
		EXISTING DETECTOR LOOP	
		CONFIRMATION BEACON	
		EMERGENCY VEHICLE LIGHT DETECTOR	
		VIDEO DETECTION ZONE	
		TEMPORARY WOOD POLE	
		TEMPORARY SPAN WIRE, TETHER WIRE, AND CABLE	
		GUY WIRE	
		SIGN	
		AERIAL CABLE	
		UNINTERRUPTIBLE POWER SUPPLY	
		EXISTING STROBE LIGHT	
		"R" REMOVE ITEM	
		"RL" RELOCATE ITEM	
		"RCF" CONTROLLER CABINET AND FOUNDATION TO BE REMOVED	
		"RMF" MAST ARM POLE AND FOUNDATION TO BE REMOVED	
		"RPF" SIGNAL POST AND FOUNDATION TO BE REMOVED	



MODEL: Default
 FILE NAME: p:\aecom\m-pw\benley.com\AECOM_0516_MIA\Documents\60603202-Brush_College\00-CAD GIS\910_CAD\03_SHEETS\01_LA\AECOM\Roadway\60603202_SHT_TempSignal_03



USER NAME	= patrick.jordan
PLOT SCALE	= 40.0000 ' / in.
PLOT DATE	= 10/21/2021

DESIGNED	- PTJ
DRAWN	- PTJ
CHECKED	- MJL
DATE	- 10/22/2021

REVISED	-
REVISED	-
REVISED	-
REVISED	-

**STATE OF ILLINOIS
DEPARTMENT OF TRANSPORTATION**

**BRUSH COLLEGE ROAD & EAST FARIES PARKWAY
TEMPORARY TRAFFIC SIGNAL PLAN - PRE-STAGE C**

SCALE: 1"=20' SHEET 3 OF 15 SHEETS STA. TO STA. 52+00.00

F.A.U. RTE.	SECTION	COUNTY	TOTAL SHEETS	SHEET NO.
7448	09-00933-01-BR	MACON	1019	708
CONTRACT NO. 95893				
		ILLINOIS	FED. AID PROJECT	

NOTES

1. ADJUST LOCATION OF SIGNAL EQUIPMENT AND VIDEO DETECTION EQUIPMENT ON EXISTING MAST ARMS AND SIGNAL TRUSSES AS NEEDED IN COORDINATION WITH CONSTRUCTION AND MAINTENANCE OF TRAFFIC STAGING. THIS WORK IS TO BE INCLUDED IN THE "TEMPORARY TRAFFIC SIGNAL INSTALLATION" PAY ITEM.

CONSTRUCTION NOTES

1. CITY OF DECATUR SHALL PROVIDE THE TEMPORARY TRAFFIC SIGNAL CONTROLLER TIMING AND SEQUENCE TO BE IMPLEMENTED BY THE CONTRACTOR.
2. CONTRACTOR IS TO MAINTAIN THE CONNECTIONS BETWEEN THE TRAFFIC SIGNAL CONTROLLER AND THE RAILROAD CROSSING SIGNAL HOUSES AT ALL TIMES WHILE THE TRAFFIC SIGNAL IS OPERATIONAL.

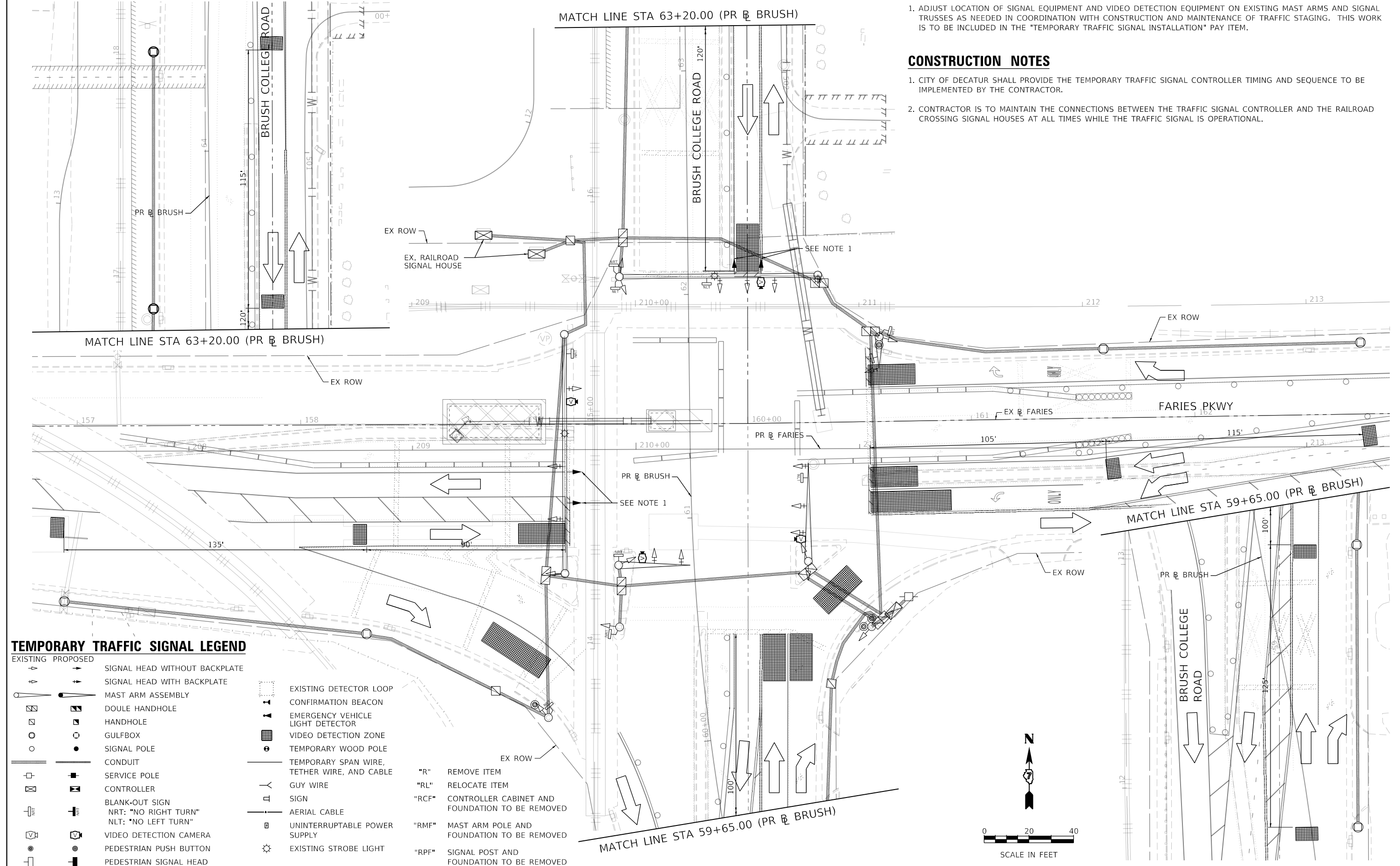
MATCH LINE STA 63+20.00 (PR BRUSH)

BRUSH COLLEGE ROAD
120'

FARIES PKWY

MATCH LINE STA 59+65.00 (PR BRUSH)

MATCH LINE STA 59+65.00 (PR BRUSH)



TEMPORARY TRAFFIC SIGNAL LEGEND

- | | | |
|---|--|--|
| <ul style="list-style-type: none"> EXISTING → PROPOSED → SIGNAL HEAD WITHOUT BACKPLATE SIGNAL HEAD WITH BACKPLATE MAST ARM ASSEMBLY DOUBLE HANDHOLE HANDHOLE GULFBOX SIGNAL POLE CONDUIT SERVICE POLE CONTROLLER BLANK-OUT SIGN NRT: "NO RIGHT TURN" NLT: "NO LEFT TURN" VIDEO DETECTION CAMERA PEDESTRIAN PUSH BUTTON PEDESTRIAN SIGNAL HEAD | <ul style="list-style-type: none"> EXISTING DETECTOR LOOP CONFIRMATION BEACON EMERGENCY VEHICLE LIGHT DETECTOR VIDEO DETECTION ZONE TEMPORARY WOOD POLE TEMPORARY SPAN WIRE, TETHER WIRE, AND CABLE GUY WIRE SIGN AERIAL CABLE UNINTERRUPTABLE POWER SUPPLY EXISTING STROBE LIGHT | <ul style="list-style-type: none"> "R" REMOVE ITEM "RL" RELOCATE ITEM "RCF" CONTROLLER CABINET AND FOUNDATION TO BE REMOVED "RMF" MAST ARM POLE AND FOUNDATION TO BE REMOVED "RPF" SIGNAL POST AND FOUNDATION TO BE REMOVED |
|---|--|--|

MODEL: Default
 FILE NAME: p:\aecom\m-pw\benley.com\AECOM_0518_MA\Documents\60603202-Brush_College\00-CAD_GIS\910_CAD\03_SHEETS\01_LA\AECOM\Roadway\60603202_SHT_TempSignal_04



USER NAME = patrick.jordan
 DESIGNED - PTJ
 DRAWN - PTJ
 PLOT SCALE = 40.0000' / in.
 CHECKED - MIL
 PLOT DATE = 10/21/2021

REVISD -
 REVISD -
 REVISD -
 REVISD -
 REVISD -

DATE - 10/22/2021

**STATE OF ILLINOIS
 DEPARTMENT OF TRANSPORTATION**

**BRUSH COLLEGE ROAD & EAST FARIES PARKWAY
 TEMPORARY TRAFFIC SIGNAL PLAN - PRE-STAGE D**

SCALE: 1"=20' SHEET 4 OF 15 SHEETS STA. TO STA, 52+00.00

F.A.U. RTE.	SECTION	COUNTY	TOTAL SHEETS	SHEET NO.
7448	09-00933-01-BR	MACON	1019	709
CONTRACT NO. 95893				
ILLINOIS FED. AID PROJECT				

NOTES

- ADJUST LOCATION OF SIGNAL EQUIPMENT AND VIDEO DETECTION EQUIPMENT ON EXISTING MAST ARMS AND SIGNAL TRUSSES AS NEEDED IN COORDINATION WITH CONSTRUCTION AND MAINTENANCE OF TRAFFIC STAGING. THIS WORK IS TO BE INCLUDED IN THE "TEMPORARY TRAFFIC SIGNAL INSTALLATION" PAY ITEM.

CONSTRUCTION NOTES

- CITY OF DECATUR SHALL PROVIDE THE TEMPORARY TRAFFIC SIGNAL CONTROLLER TIMING AND SEQUENCE TO BE IMPLEMENTED BY THE CONTRACTOR.
- CONTRACTOR IS TO MAINTAIN THE CONNECTIONS BETWEEN THE TRAFFIC SIGNAL CONTROLLER AND THE RAILROAD CROSSING SIGNAL HOUSES AT ALL TIMES WHILE THE TRAFFIC SIGNAL IS OPERATIONAL.

MATCH LINE STA 63+20.00 (PR BRUSH)

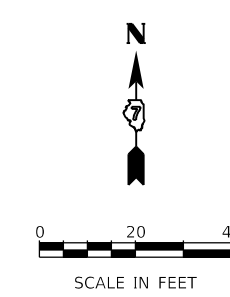
MATCH LINE STA 63+20.00 (PR BRUSH)

MATCH LINE STA 59+65.00 (PR BRUSH)

MATCH LINE STA 59+65.00 (PR BRUSH)

TEMPORARY TRAFFIC SIGNAL LEGEND

EXISTING	PROPOSED		
		SIGNAL HEAD WITHOUT BACKPLATE	
		SIGNAL HEAD WITH BACKPLATE	
		MAST ARM ASSEMBLY	
		DOUBLE HANDHOLE	
		HANDHOLE	
		GULFBOX	
		SIGNAL POLE	
		CONDUIT	
		SERVICE POLE	
		CONTROLLER	
		BLANK-OUT SIGN	
		NRT: "NO RIGHT TURN"	
		NLT: "NO LEFT TURN"	
		VIDEO DETECTION CAMERA	
		PEDESTRIAN PUSH BUTTON	
		PEDESTRIAN SIGNAL HEAD	
		EXISTING DETECTOR LOOP	
		CONFIRMATION BEACON	
		EMERGENCY VEHICLE LIGHT DETECTOR	
		VIDEO DETECTION ZONE	
		TEMPORARY WOOD POLE	
		TEMPORARY SPAN WIRE, TETHER WIRE, AND CABLE	
		GUY WIRE	
		SIGN	
		AERIAL CABLE	
		UNINTERRUPTIBLE POWER SUPPLY	
		EXISTING STROBE LIGHT	
		"R" REMOVE ITEM	
		"RL" RELOCATE ITEM	
		"RCF" CONTROLLER CABINET AND FOUNDATION TO BE REMOVED	
		"RMF" MAST ARM POLE AND FOUNDATION TO BE REMOVED	
		"RPF" SIGNAL POST AND FOUNDATION TO BE REMOVED	



MODEL: Default
 FILE NAME: p:\aecom\m-pw\benley.com\AECOM_051\MA\Documents\60603202-Brush_College\00-CAD GIS\910_CAD\03_SHEETS\01_L\AECOM\Roadway\60603202_SHT_TempSignal_05



USER NAME = patrick.jordan	DESIGNED - PTJ	REVISED -
PLOT SCALE = 40.0000' / in.	DRAWN - PTJ	REVISED -
PLOT DATE = 10/21/2021	CHECKED - MJL	REVISED -
	DATE - 10/22/2021	REVISED -

**STATE OF ILLINOIS
DEPARTMENT OF TRANSPORTATION**

**BRUSH COLLEGE ROAD & EAST FARIES PARKWAY
TEMPORARY TRAFFIC SIGNAL PLAN - PRE-STAGE E**

SCALE: 1"=20' SHEET 5 OF 15 SHEETS STA. TO STA. 52+00.00

F.A.U. RTE.	SECTION	COUNTY	TOTAL SHEETS	SHEET NO.
7448	09-00933-01-BR	MACON	1019	710
CONTRACT NO. 95893				
ILLINOIS		FED. AID PROJECT		

NOTES

- ADJUST LOCATION OF SIGNAL EQUIPMENT AND VIDEO DETECTION EQUIPMENT ON EXISTING MAST ARMS AND SIGNAL TRUSSES AS NEEDED IN COORDINATION WITH CONSTRUCTION AND MAINTENANCE OF TRAFFIC STAGING. THIS WORK IS TO BE INCLUDED IN THE "TEMPORARY TRAFFIC SIGNAL INSTALLATION" PAY ITEM.

CONSTRUCTION NOTES

- CITY OF DECATUR SHALL PROVIDE THE TEMPORARY TRAFFIC SIGNAL CONTROLLER TIMING AND SEQUENCE TO BE IMPLEMENTED BY THE CONTRACTOR.
- CONTRACTOR IS TO MAINTAIN THE CONNECTIONS BETWEEN THE TRAFFIC SIGNAL CONTROLLER AND THE RAILROAD CROSSING SIGNAL HOUSES AT ALL TIMES WHILE THE TRAFFIC SIGNAL IS OPERATIONAL.

MATCH LINE STA 63+20.00 (PR BRUSH)

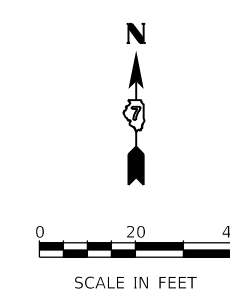
MATCH LINE STA 63+20.00 (PR BRUSH)

MATCH LINE STA 59+65.00 (PR BRUSH)

MATCH LINE STA 59+65.00 (PR BRUSH)

TEMPORARY TRAFFIC SIGNAL LEGEND

EXISTING	PROPOSED		
		SIGNAL HEAD WITHOUT BACKPLATE	
		SIGNAL HEAD WITH BACKPLATE	
		MAST ARM ASSEMBLY	
		DOUBLE HANDHOLE	
		HANDHOLE	
		GULFBOX	
		SIGNAL POLE	
		CONDUIT	
		SERVICE POLE	
		CONTROLLER	
		BLANK-OUT SIGN	
		NRT: "NO RIGHT TURN"	
		NLT: "NO LEFT TURN"	
		VIDEO DETECTION CAMERA	
		PEDESTRIAN PUSH BUTTON	
		PEDESTRIAN SIGNAL HEAD	
		EXISTING DETECTOR LOOP	
		CONFIRMATION BEACON	
		EMERGENCY VEHICLE LIGHT DETECTOR	
		VIDEO DETECTION ZONE	
		TEMPORARY WOOD POLE	
		TEMPORARY SPAN WIRE, TETHER WIRE, AND CABLE	
		GUY WIRE	
		SIGN	
		AERIAL CABLE	
		UNINTERRUPTIBLE POWER SUPPLY	
		EXISTING STROBE LIGHT	
		"R" REMOVE ITEM	
		"RL" RELOCATE ITEM	
		"RCF" CONTROLLER CABINET AND FOUNDATION TO BE REMOVED	
		"RMF" MAST ARM POLE AND FOUNDATION TO BE REMOVED	
		"RPF" SIGNAL POST AND FOUNDATION TO BE REMOVED	



MODEL: Default
 FILE NAME: p:\aecom\m-pw\benley.com\AECOM_0516_MA\Documents\60603202-Brush_College\00-CAD GIS\910_CAD\03_SHEETS\01_LAECOM\Roadway\60603202_SHT_TempSignal_06



USER NAME = patrick.jordan	DESIGNED - PTJ	REVISED -
PLOT SCALE = 40.0000' / in.	DRAWN - PTJ	REVISED -
PLOT DATE = 10/21/2021	CHECKED - MJL	REVISED -
	DATE - 10/22/2021	REVISED -

**STATE OF ILLINOIS
DEPARTMENT OF TRANSPORTATION**

**BRUSH COLLEGE ROAD & EAST FARIES PARKWAY
TEMPORARY TRAFFIC SIGNAL PLAN - PRE-STAGE F**

SCALE: 1"=20' SHEET 6 OF 15 SHEETS STA. TO STA, 52+00.00

F.A.U. RTE. 7448	SECTION 09-00933-01-BR	COUNTY MACON	TOTAL SHEETS 1019	SHEET NO. 711
CONTRACT NO. 95893				
ILLINOIS FED. AID PROJECT				

NOTES

1. ADJUST LOCATION OF SIGNAL EQUIPMENT AND VIDEO DETECTION EQUIPMENT ON EXISTING MAST ARMS AND SIGNAL TRUSSES AS NEEDED IN COORDINATION WITH CONSTRUCTION AND MAINTENANCE OF TRAFFIC STAGING. THIS WORK IS TO BE INCLUDED IN THE "TEMPORARY TRAFFIC SIGNAL INSTALLATION" PAY ITEM.

CONSTRUCTION NOTES

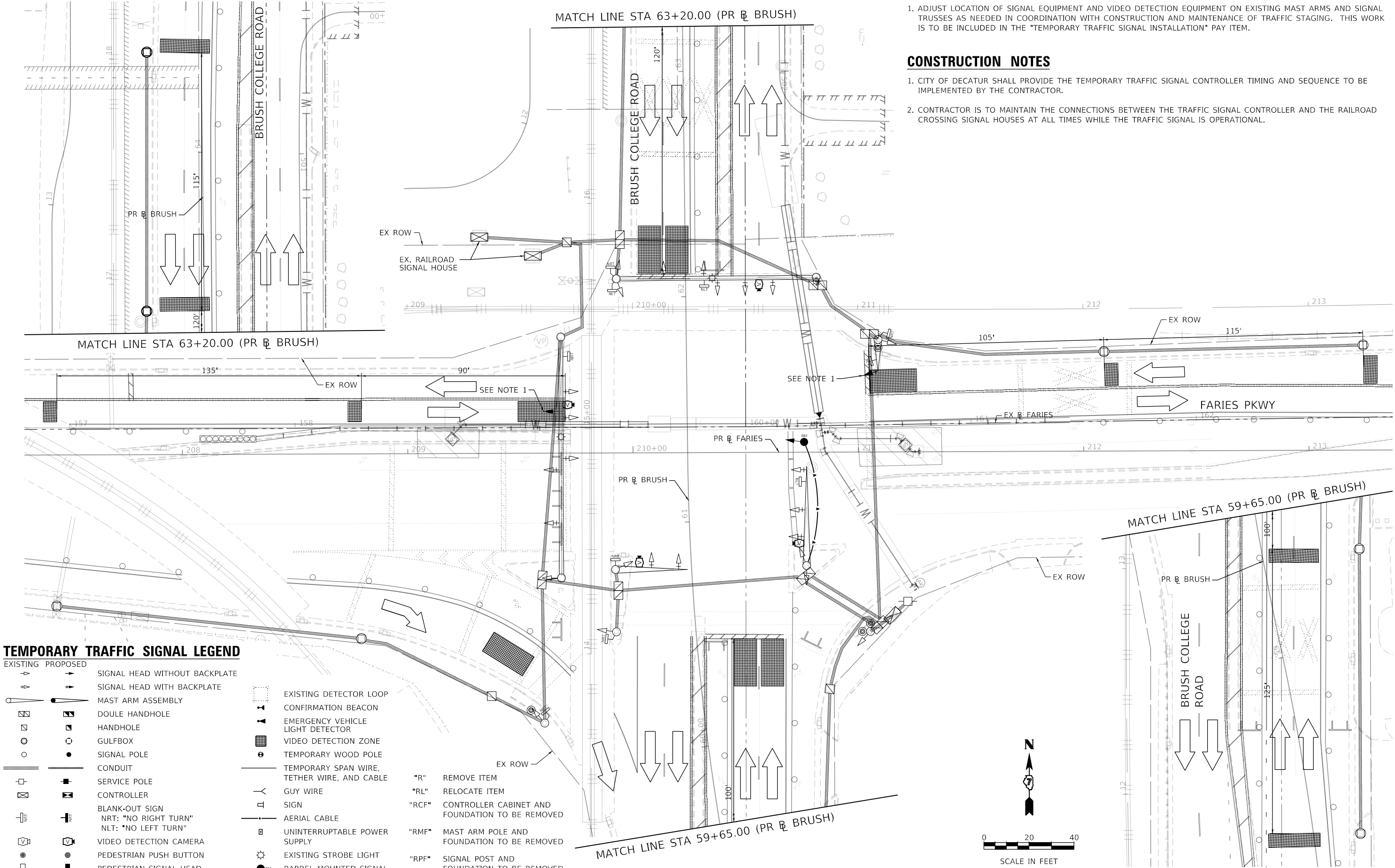
1. CITY OF DECATUR SHALL PROVIDE THE TEMPORARY TRAFFIC SIGNAL CONTROLLER TIMING AND SEQUENCE TO BE IMPLEMENTED BY THE CONTRACTOR.
2. CONTRACTOR IS TO MAINTAIN THE CONNECTIONS BETWEEN THE TRAFFIC SIGNAL CONTROLLER AND THE RAILROAD CROSSING SIGNAL HOUSES AT ALL TIMES WHILE THE TRAFFIC SIGNAL IS OPERATIONAL.

MATCH LINE STA 63+20.00 (PR BRUSH)

MATCH LINE STA 63+20.00 (PR BRUSH)

MATCH LINE STA 59+65.00 (PR BRUSH)

MATCH LINE STA 59+65.00 (PR BRUSH)



TEMPORARY TRAFFIC SIGNAL LEGEND

- | | | | |
|----------|----------|--|---|
| EXISTING | PROPOSED | | |
| | | | EXISTING DETECTOR LOOP |
| | | | CONFIRMATION BEACON |
| | | | EMERGENCY VEHICLE LIGHT DETECTOR |
| | | | VIDEO DETECTION ZONE |
| | | | TEMPORARY WOOD POLE |
| | | | TEMPORARY SPAN WIRE, TETHER WIRE, AND CABLE |
| | | | GUY WIRE |
| | | | SIGN |
| | | | AERIAL CABLE |
| | | | UNINTERRUPTIBLE POWER SUPPLY |
| | | | EXISTING STROBE LIGHT |
| | | | BARREL MOUNTED SIGNAL |
| | | | |
| | | | |
| | | | |
| | | | |

- "R" REMOVE ITEM
- "RL" RELOCATE ITEM
- "RCF" CONTROLLER CABINET AND FOUNDATION TO BE REMOVED
- "RMF" MAST ARM POLE AND FOUNDATION TO BE REMOVED
- "RPF" SIGNAL POST AND FOUNDATION TO BE REMOVED



MODEL: Default
FILE NAME: p:\aecom\m-pw\benley.com\AECOM_0516_MA\Documents\60603202-Brush_College\00-CAD GIS\910_CAD\03_SHEETS\01_LA\AECOM\Roadway\60603202_SHT_TempSignal_07



USER NAME = patrick.jordan	DESIGNED - PTJ	REVISED -
PLOT SCALE = 40.0000' / in.	DRAWN - PTJ	REVISED -
PLOT DATE = 10/21/2021	CHECKED - MJL	REVISED -
	DATE - 10/22/2021	REVISED -

STATE OF ILLINOIS
DEPARTMENT OF TRANSPORTATION

BRUSH COLLEGE ROAD & EAST FARIES PARKWAY
TEMPORARY TRAFFIC SIGNAL PLAN - PRE-STAGE G

SCALE: 1"=20' SHEET 7 OF 15 SHEETS STA. TO STA, 52+00.00

F.A.U. RTE.	SECTION	COUNTY	TOTAL SHEETS	SHEET NO.
7448	09-00933-01-BR	MACON	1019	712
CONTRACT NO. 95893				
ILLINOIS FED. AID PROJECT				

NOTES

- ADJUST LOCATION OF SIGNAL EQUIPMENT AND VIDEO DETECTION EQUIPMENT ON EXISTING MAST ARMS AND SIGNAL TRUSSES AS NEEDED IN COORDINATION WITH CONSTRUCTION AND MAINTENANCE OF TRAFFIC STAGING. THIS WORK IS TO BE INCLUDED IN THE "TEMPORARY SIGNAL INSTALLATION" PAY ITEM.
- REMOVE OR ADJUST VIDEO DETECTION ZONES FOR LANES CLOSED OR SHIFTED DURING PRE-STAGE H AND STAGE 2.
 - PRE-STAGE H: REMOVE DETECTION ZONE FROM EBL LANE 1
 - STAGE 2: REMOVE STOP BAR AND FAR DETECTION ZONES FROM EBT LANE 2
REMOVE DETECTION ZONE FROM WBL LANE 1
REMOVE STOP BAR AND FAR DETECTION ZONES FROM NBT LANE 1 AND SHIFT LEFT TURN DETECTION ZONE
- REMOVAL OF EXISTING GULFBXES AND OTHER EXISTING TRAFFIC SIGNAL EQUIPMENT (SEE SHEET 715) SHALL ONLY BE REMOVED AFTER STAGE 2 AND AFTER BRUSH COLLEGE ROAD HAS BEEN CLOSED.

CONSTRUCTION NOTES

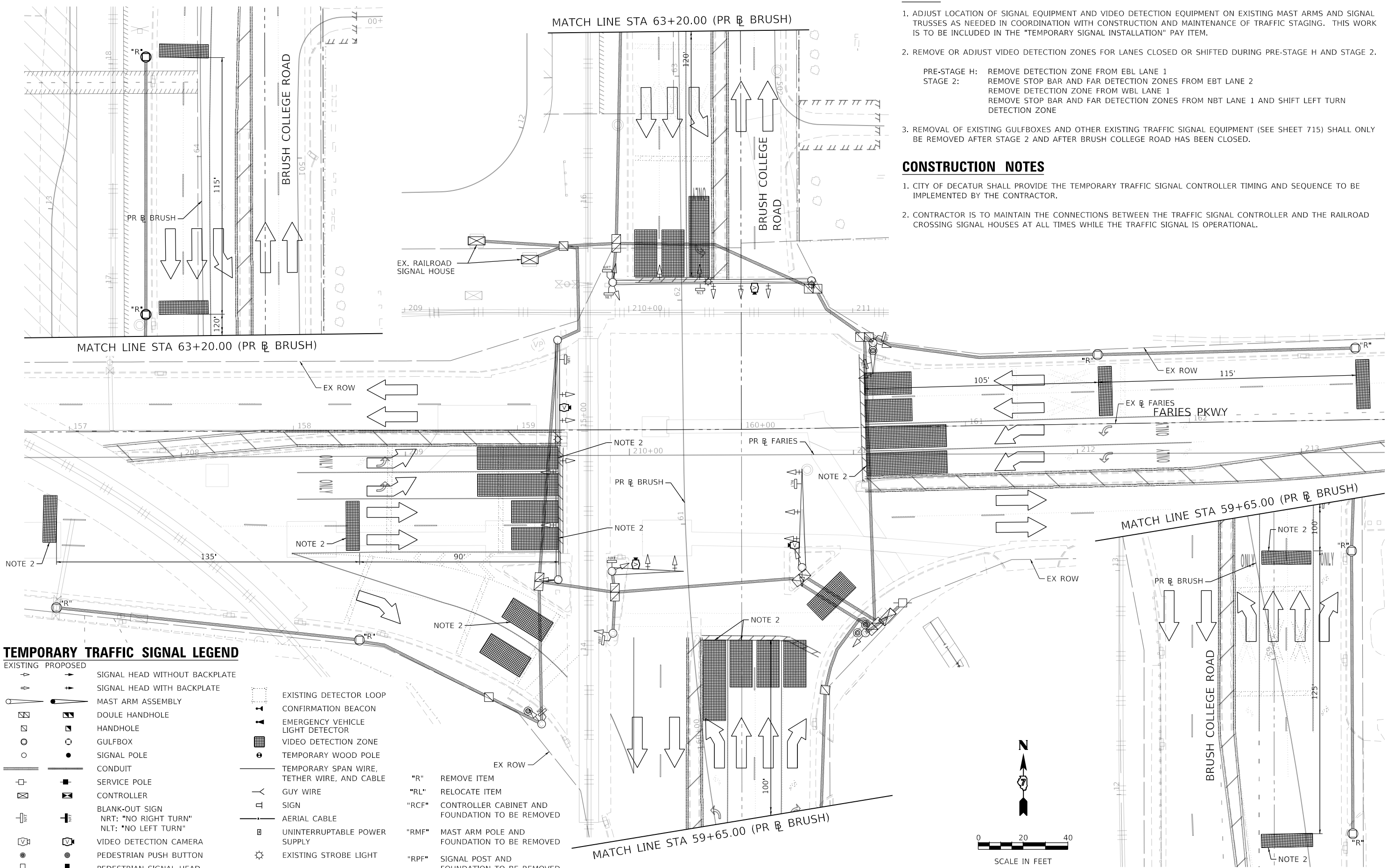
- CITY OF DECATUR SHALL PROVIDE THE TEMPORARY TRAFFIC SIGNAL CONTROLLER TIMING AND SEQUENCE TO BE IMPLEMENTED BY THE CONTRACTOR.
- CONTRACTOR IS TO MAINTAIN THE CONNECTIONS BETWEEN THE TRAFFIC SIGNAL CONTROLLER AND THE RAILROAD CROSSING SIGNAL HOUSES AT ALL TIMES WHILE THE TRAFFIC SIGNAL IS OPERATIONAL.

MATCH LINE STA 63+20.00 (PR BRUSH)

MATCH LINE STA 63+20.00 (PR BRUSH)

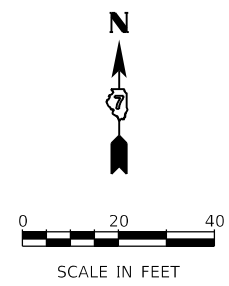
MATCH LINE STA 59+65.00 (PR BRUSH)

MATCH LINE STA 59+65.00 (PR BRUSH)



TEMPORARY TRAFFIC SIGNAL LEGEND

- | | | | |
|----------|----------|---|--|
| EXISTING | PROPOSED | | |
| | | SIGNAL HEAD WITHOUT BACKPLATE | |
| | | SIGNAL HEAD WITH BACKPLATE | |
| | | MAST ARM ASSEMBLY | |
| | | DOUBLE HANDHOLE | |
| | | HANDHOLE | |
| | | GULFBBOX | |
| | | SIGNAL POLE | |
| | | CONDUIT | |
| | | SERVICE POLE | |
| | | CONTROLLER | |
| | | BLANK-OUT SIGN | |
| | | NRT: "NO RIGHT TURN" | |
| | | NLT: "NO LEFT TURN" | |
| | | VIDEO DETECTION CAMERA | |
| | | PEDESTRIAN PUSH BUTTON | |
| | | PEDESTRIAN SIGNAL HEAD | |
| | | EXISTING DETECTOR LOOP | |
| | | CONFIRMATION BEACON | |
| | | EMERGENCY VEHICLE LIGHT DETECTOR | |
| | | VIDEO DETECTION ZONE | |
| | | TEMPORARY WOOD POLE | |
| | | TEMPORARY SPAN WIRE, TETHER WIRE, AND CABLE | |
| | | GUY WIRE | |
| | | SIGN | |
| | | AERIAL CABLE | |
| | | UNINTERRUPTIBLE POWER SUPPLY | |
| | | EXISTING STROBE LIGHT | |
| | | "R" REMOVE ITEM | |
| | | "RL" RELOCATE ITEM | |
| | | "RCF" CONTROLLER CABINET AND FOUNDATION TO BE REMOVED | |
| | | "RMF" MAST ARM POLE AND FOUNDATION TO BE REMOVED | |
| | | "RPF" SIGNAL POST AND FOUNDATION TO BE REMOVED | |



MODEL: Default
 FILE NAME: p:\aecom\m-pw\benley.com\AECOM_0516_MIA\Documents\60603202-Brush_College\00-CAD_GIS\910_CAD\03_SHEETS\01_AECOM\Roadway\60603202_SHT_TempSignal_08



USER NAME = patrick.jordan
 PLOT SCALE = 40.0000' / in.
 PLOT DATE = 10/21/2021

DESIGNED - PTJ
 DRAWN - PTJ
 CHECKED - MIL
 DATE - 10/22/2021

REVISED -
 REVISED -
 REVISED -
 REVISED -

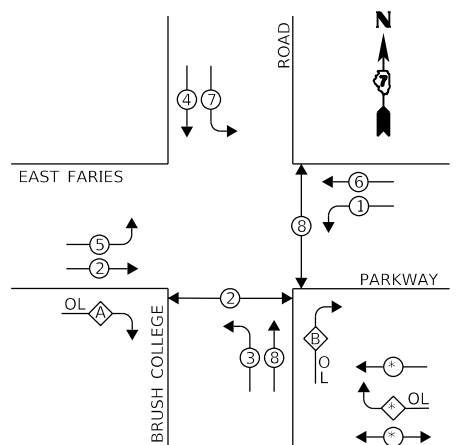
STATE OF ILLINOIS
 DEPARTMENT OF TRANSPORTATION

BRUSH COLLEGE ROAD & EAST FARIES PARKWAY
 TEMPORARY TRAFFIC SIGNAL PLAN - PRE-STAGE H TO STAGE 2
 SCALE: 1"=20' SHEET 8 OF 15 SHEETS STA. TO STA. 52+00.00

F.A.U. RTE.	SECTION	COUNTY	TOTAL SHEETS	SHEET NO.
7448	09-00933-01-BR	MACON	1019	713
CONTRACT NO. 95893				
ILLINOIS FED. AID PROJECT				



TEMPORARY CONTROLLER SEQUENCE



- LEGEND**
- ① DUAL ENTRY PHASE
 - OL OVERLAP
 - ⊙ PEDESTRIAN PHASE
 - * NUMBER REFERS TO ASSOCIATED PHASE

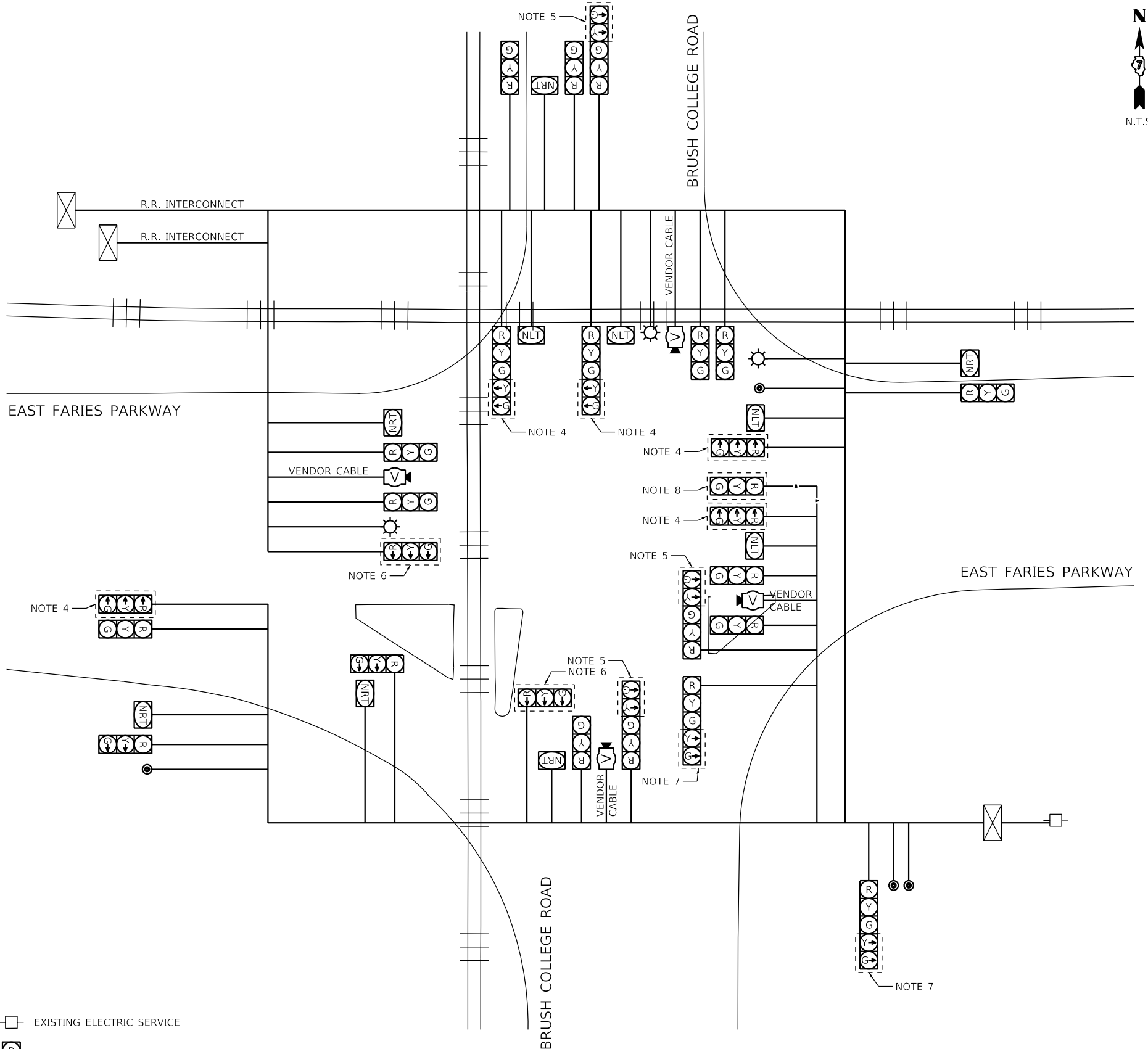
TEMPORARY PHASE DESIGNATION DIAGRAM

RIGHT TURN OVERLAP PHASE DESIGNATION

OVERLAP LETTER	PERMISSIVE PHASE	PROTECTED PHASE
A	= 2	+ 3
B	= 8	+ 1

NOTES

1. MAINTAIN EXISTING TRAFFIC SIGNAL EQUIPMENT FROM PRE-STAGE A TO STAGE 2.
2. LOOP DETECTION SHALL BE ABANDONED FOLLOWING INSTALLATION OF TEMPORARY VIDEO DETECTION DEVICES.
3. CONTRACTOR IS TO MAINTAIN THE CONNECTIONS BETWEEN THE TRAFFIC SIGNAL CONTROLLER AND THE RAILROAD CROSSING SIGNAL HOUSES AT ALL TIMES WHILE THE TRAFFIC SIGNAL IS OPERATIONAL.
4. BAG SIGNAL HEADS DURING PRE-STAGES D, E AND G.
5. BAG SIGNAL HEADS DURING PRE-STAGES D, E, F AND G.
6. BAG SIGNAL HEADS DURING PRE-STAGES E AND G.
7. BAG SIGNAL HEADS DURING PRE-STAGES F AND G.
8. IN PRE-STAGE G, ATTACH SIGNAL HEAD TO BARREL MOUNTED POLE AND ROUTE AERIAL CABLE TO MAST ARM.



LEGEND

- ⊙ EXISTING PEDESTRIAN PUSH BUTTON
- ⊠ EXISTING ELECTRIC SERVICE
- ⊠ NRT EXISTING BLANK-OUT SIGN
NRT: "NO RIGHT TURN"
NLT: "NO LEFT TURN"
- ⊠ R Y G EXISTING SIGNAL HEAD
- ☀ EXISTING STROBE LIGHT
- ⊠ EXISTING CABINET
- ⊠ V PROPOSED VIDEO DETECTOR

CITY OF DECATUR TRAFFIC SIGNAL INSTALLATION ELECTRICAL SERVICE REQUIREMENTS					TOTAL WATTAGE
TYPE	NO. OF LAMPS	WATTAGE XINCANDL	LED x % OPERATION		
SIGNAL (RED)	26		17 0.50	221.00	
(YELLOW)	26		25 0.25	162.50	
(GREEN)	26		15 0.25	97.50	
ARROW	14		12 0.10	16.80	
CONTROLLER	1		300 1.00	300.00	
VIDEO SYSTEM	1	150	- 1.00	150.00	
BLANK-OUT	10		30 0.10	30.00	
STROBE LIGHT	3		12 0.10	3.60	
TOTAL =				981.40	

ENERGY COSTS TO: TOTAL = 981.40

CITY OF DECATUR

ENERGY SUPPLY: CONTACT: SHAWN SPILLMAN, SUPERVISOR
PHONE: (888) 659-4540
COMPANY: AMEREN ILLINOIS



USER NAME = patrick.jordan
DESIGNED - PTJ
DRAWN - PTJ
PLOT SCALE = 2,0000' / in.
PLOT DATE = 4/28/2021

REVISED -
REVISED -
CHECKED - MIL
DATE - 4/30/2021

STATE OF ILLINOIS
DEPARTMENT OF TRANSPORTATION

FARIES PARKWAY & JUG HANDLE CONNECTOR ROAD
TEMPORARY TRAFFIC SIGNAL CABLE PLAN - STAGES 0A TO 2

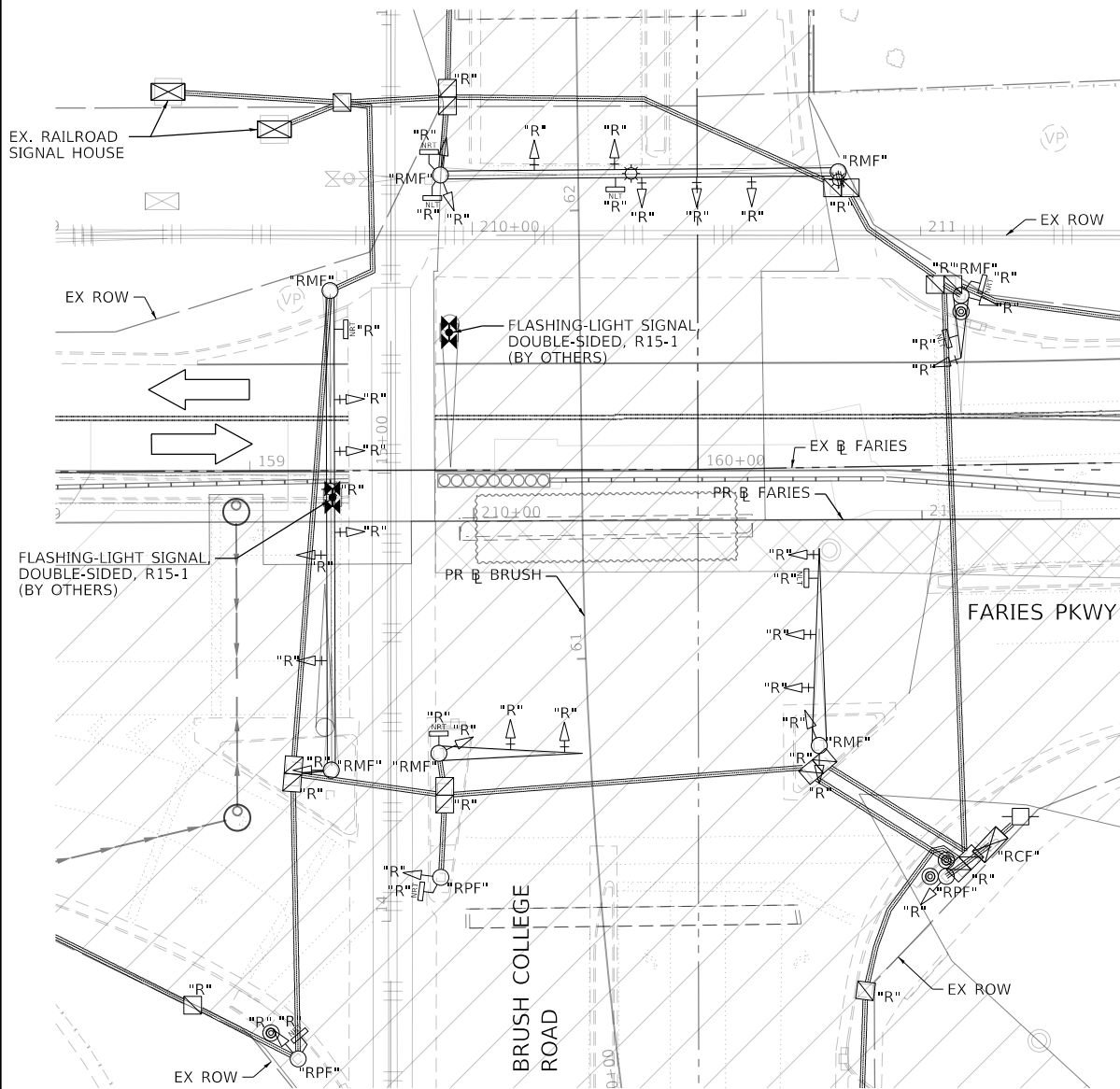
F.A.U. RTE.	SECTION	COUNTY	TOTAL SHEETS	SHEET NO.
7448	09-00933-01-BR	MACON	1019	714
CONTRACT NO. 95893				

SCALE: N.T.S. SHEET 9 OF 15 SHEETS STA. TO STA.

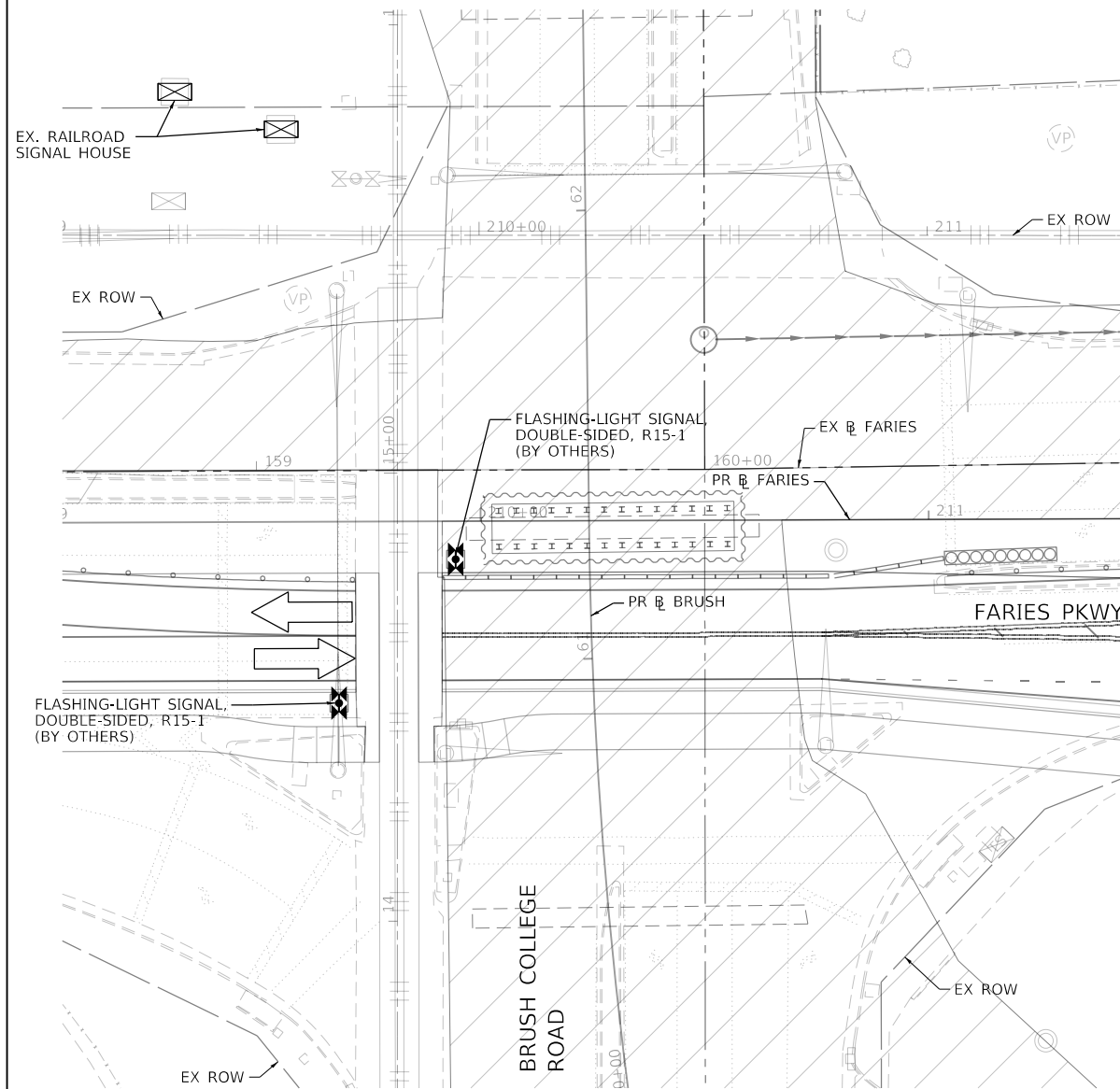
ILLINOIS FED. AID PROJECT

MODEL: Default FILE NAME: p:\mecom\m-pw-bentley.com\AECOM_051\NA\Documents\60603202-Brush_College\00-CAD GIS\910_CAD\03_SHEETS\01_AECOM\Roadway\60603202_SHT_TempSignal_09

STAGE 3A TO 3B



STAGE 4A TO 4C



TEMPORARY TRAFFIC SIGNAL LEGEND

EXISTING	PROPOSED	DESCRIPTION
⬇	⬆	SIGNAL HEAD WITHOUT BACKPLATE
⬆	⬆	SIGNAL HEAD WITH BACKPLATE
⌵	⌵	MAST ARM ASSEMBLY
⊠	⊠	DOUBLE HANDHOLE
⊠	⊠	HANDHOLE
○	○	GULFBOX
○	○	SIGNAL POLE
—	—	CONDUIT
⊠	⊠	SERVICE POLE
⊠	⊠	CONTROLLER
⊠	⊠	BLANK-OUT SIGN NRT: "NO RIGHT TURN" NLT: "NO LEFT TURN"
⊠	⊠	VIDEO DETECTION CAMERA
⊠	⊠	PEDESTRIAN PUSH BUTTON
⊠	⊠	PEDESTRIAN SIGNAL HEAD
⊠	⊠	DETECTOR LOOP
⊠	⊠	CONFIRMATION BEACON
⊠	⊠	EMERGENCY VEHICLE LIGHT DETECTOR
⊠	⊠	VIDEO DETECTION ZONE
⊠	⊠	TEMPORARY WOOD POLE
⊠	⊠	TEMPORARY SPAN WIRE, TETHER WIRE, AND CABLE
⊠	⊠	GUY WIRE
⊠	⊠	SIGN
⊠	⊠	AERIAL CABLE
⊠	⊠	UNINTERRUPTIBLE POWER SUPPLY
⊠	⊠	STROBE LIGHT
"R"	"R"	REMOVE ITEM
"RL"	"RL"	RELOCATE ITEM
"RCF"	"RCF"	CONTROLLER CABINET AND FOUNDATION TO BE REMOVED
"RMF"	"RMF"	MAST ARM POLE AND FOUNDATION TO BE REMOVED
"RPF"	"RPF"	SIGNAL POST AND FOUNDATION TO BE REMOVED
FR FR	FR FR	FLASHING-LIGHT SIGNAL (BY OTHERS)

NOTES

- IC RR TO ADJUST LOCATION OF SIGNAL AND RAILROAD FLASHER EQUIPMENT AS NEEDED IN COORDINATION WITH CONSTRUCTION AND MAINTENANCE OF TRAFFIC STAGING.
- EXISTING TRAFFIC SIGNAL EQUIPMENT SHALL ONLY BE REMOVED AFTER STAGE 2 AND AFTER BRUSH COLLEGE ROAD HAS BEEN CLOSED.
- TEMPORARY RAILROAD FLASHER EQUIPMENT AND CABLES ARE TO BE INSTALLED BY IC RR. HANDHOLES AND CONDUIT INFRASTRUCTURE USED BY IC RR TO OPERATE THE TEMPORARY SIGNAL AND RAILROAD FLASHER INFRASTRUCTURE FROM STAGE 3A TO 4C SHALL REMAIN UNTIL THE PERMANENT GRADE CROSSING WARNING EQUIPMENT IS ACTIVATED.

REMOVE EXISTING TRAFFIC SIGNAL EQUIPMENT: EACH 1

THE FOLLOWING EXISTING TRAFFIC SIGNAL EQUIPMENT SHALL BE REMOVED BY THE CONTRACTOR, SHALL REMAIN THE PROPERTY OF THE CITY AND SHALL BE DELIVERED BY THE CONTRACTOR TO THE CITY YARD AS PER THE TRAFFIC SIGNAL SPECIFICATIONS OR AS DIRECTED BY THE CITY TRAFFIC ENGINEER.

- 1 EACH CONTROLLER
- 1 EACH CABINET (COMPLETE)

THE FOLLOWING ITEMS SHALL BE REMOVED BY THE CONTRACTOR AND SHALL BE DISPOSED OF BY THEM OUTSIDE THE RIGHT-OF-WAY AT THEIR EXPENSE. THE SALVAGE VALUE OF THE REMOVED EQUIPMENT SHALL BE REFLECTED IN THE CONTRACT BID PRICE.

2 EACH DUAL STEEL MONOTUBE TRUSS	19 EACH 3-SECTION SIGNAL HEAD	16 EACH TRAFFIC SIGNAL BACKPLATE
3 EACH MAST ARM ASSEMBLY AND POLE	7 EACH 5-SECTION SIGNAL HEAD	3 EACH STROBE LIGHT
3 EACH TRAFFIC SIGNAL POST	4 EACH PEDESTRIAN PUSH BUTTON	10 EACH ILLUMINATED BLANK OUT SIGN
1 EACH PEDESTRIAN PUSH BUTTON POST		

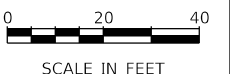
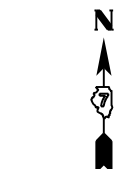
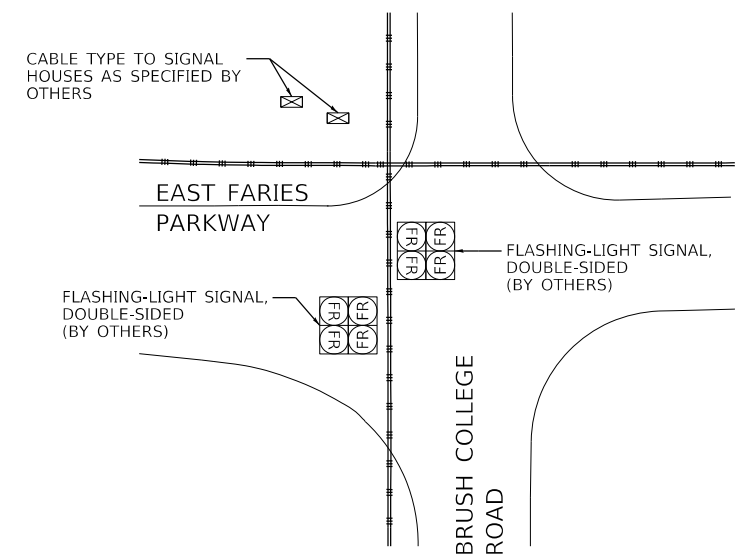
CONSTRUCTION NOTES

- TEMPORARY RAILROAD FLASHERS ARE TO BE IN OPERATION WHEN TRAFFIC SIGNAL HEADS ARE DEACTIVATED. CONTRACTOR IS TO COORDINATE WITH IC RR TO PROVIDE FLAGGERS FOR ANY PERIOD OF TIME WHEN BOTH TRAFFIC SIGNAL AND RAILROAD FLASHERS ARE NOT IN OPERATION. THIS WORK IS TO BE INCLUDED IN THE "TEMPORARY TRAFFIC SIGNAL INSTALLATION" PAY ITEM.



R15-1
48" x 9"
INSTALLED BY OTHERS

CABLE PLAN



MODEL: Default
FILE NAME: p:\aecom\m-pw\benley.com\AECOM_051\MA\Documents\60603202-Brush_College\00-CAD_GIS\910_CAD\03_SHEETS\01_AECOM\Roadway\60603202_SHT_TempSignal_L10



USER NAME = patrick.jordan	DESIGNED - PTJ	REVISED -
PLOT SCALE = 40.0000' / in.	DRAWN - PTJ	REVISED -
PLOT DATE = 10/21/2021	CHECKED - MJL	REVISED -
	DATE - 10/22/2021	REVISED -

**STATE OF ILLINOIS
DEPARTMENT OF TRANSPORTATION**

**BRUSH COLLEGE ROAD & EAST FARIES PARKWAY
TEMPORARY TRAFFIC SIGNAL PLAN - STAGES 3A TO 4C**

SCALE: 1"=20' SHEET 10 OF 15 SHEETS STA. TO STA. 52+00.00

F.A.U. RTE.	SECTION	COUNTY	TOTAL SHEETS	SHEET NO.
7448	09-00933-01-BR	MACON	1019	715
CONTRACT NO. 95893				
ILLINOIS FED. AID PROJECT				

TEMPORARY TRAFFIC SIGNAL LEGEND

- SIGNAL HEAD WITHOUT BACKPLATE
- CONDUIT
- SERVICE POLE
- ⊠ CONTROLLER
- ⊞ UNINTERRUPTIBLE POWER SUPPLY
- 📷 VIDEO DETECTION CAMERA
- ⊙ PEDESTRIAN PUSH BUTTON
- ⊠ PEDESTRIAN SIGNAL HEAD
- ⊠ CONFIRMATION BEACON
- ⊠ EMERGENCY VEHICLE LIGHT DETECTOR
- 📊 VIDEO DETECTION ZONE
- "R" REMOVE ITEM
- ⊙ TEMPORARY WOOD POLE
- TEMPORARY SPAN WIRE, TETHER WIRE, AND CABLE
- GUY WIRE
- ⊠ SIGN
- AERIAL CABLE
- PROPOSED MAST ARM POLE

NOTES

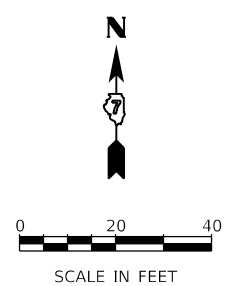
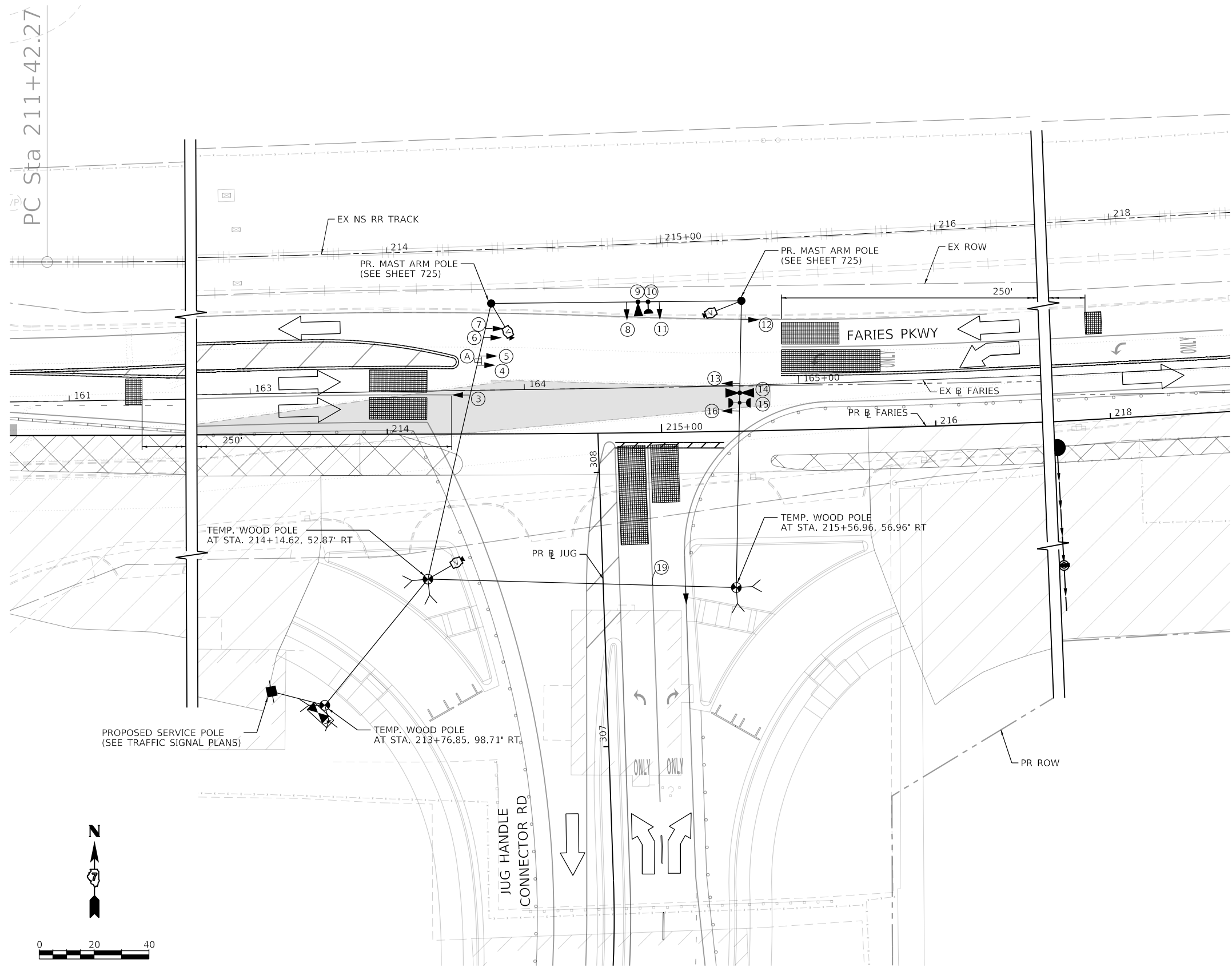
1. ALL CONTROL EQUIPMENT SHALL BE FURNISHED BY THE CONTRACTOR.
2. ALL TRAFFIC SIGNAL SECTIONS AND PEDESTRIAN SIGNAL SECTIONS SHALL BE 12". HEADS SHALL BE PLACED AS INDICATED ON THE TEMPORARY TRAFFIC SIGNAL PLAN OR AS DIRECTED BY THE ENGINEER. THE CONTRACTOR SHALL FURNISH ENOUGH CABLE SLACK TO RELOCATE HEADS TO ANY POSITION ON THE SPAN WIRE FOR CONSTRUCTION STAGING. THE TEMPORARY TRAFFIC SIGNAL SHALL REMAIN IN OPERATION DURING ALL SIGNAL HEAD RELOCATIONS. EACH TEMPORARY TRAFFIC SIGNAL HEAD SHALL HAVE ITS OWN CABLE FROM THE CONTROLLER CABINET TO THE SIGNAL HEAD.
3. UNINTERRUPTIBLE POWER SUPPLY (UPS) SYSTEMS SHALL BE INSTALLED AND MADE OPERATIONAL AT TEMPORARY TRAFFIC SIGNAL INSTALLATIONS WHERE UPS IS INSTALLED AT THE EXISTING TRAFFIC SIGNAL, TEMPORARY TRAFFIC SIGNALS AT RAILROAD INTERSECTIONS, AND TEMPORARY TRAFFIC SIGNALS AT INTERSECTIONS WITH FIRE STATION ACTUATED EMERGENCY VEHICLE PRE-EMPTION, OR WHEN INDICATED ON THE PLANS.
4. SEE SHEET 720 FOR TEMPORARY VIDEO DETECTION MOUNTING DETAIL.
5. SEE SHEET 721 FOR STREET SIGN PANEL DETAILS. FURNISHING AND INSTALLATION OF SIGN PANELS UNDER THE TEMPORARY CONDITION AND RELOCATION OF SIGN PANELS TO THE PERMANENT MAST ARMS SHALL BE INCLUDED IN UNDER THE "SIGN PANEL - TYPE 1" PAY ITEM.

RESTORATION OF WORK AREA:

RESTORATION OF THE TRAFFIC SIGNAL WORK AREA SHALL BE INCLUDED IN THE COST OF THE RELATED PAY ITEM SUCH AS FOUNDATION, CONDUIT HANDHOLE, TRENCH AND BACKFILL, ETC., AND NO EXTRA COMPENSATION SHALL BE ALLOWED. ALL ROADWAY SURFACES SUCH AS SHOULDERS, MEDIANS, SIDEWALKS, PAVEMENT, ETC. SHALL BE REPLACED IN KIND. ALL DAMAGE TO MOWED LAWNS SHALL BE REPLACED WITH AN APPROVED SOD, AND ALL DAMAGE TO UNMOWED FIELDS SHALL BE SEEDED IN ACCORDANCE WITH STANDARD SPECIFICATIONS 252 AND 250 RESPECTIVELY.



R10-5
24" x 30"
1-REQUIRED
INCLUDED IN "TEMPORARY TRAFFIC SIGNAL INSTALLATION" PAY ITEM



MODEL: Default
FILE NAME: p:\aecom\p-w\hendley.com\AECOM_0516_MIA\Documents\60603202-Brush_College\006\Roadway\60603202_SHT_TempSignal_L1



USER NAME = patrick.jordan
PLOT SCALE = 40.0000' / in.
PLOT DATE = 4/28/2021

DESIGNED - PTJ
DRAWN - PTJ
CHECKED - MIL
DATE - 4/30/2021

REVISED -
REVISED -
REVISED -
REVISED -

STATE OF ILLINOIS
DEPARTMENT OF TRANSPORTATION

FARIES PARKWAY & JUG HANDLE CONNECTOR ROAD
TEMPORARY TRAFFIC SIGNAL PLAN - STAGES 3A AND 3B
SCALE: 1"=20' SHEET 11 OF 15 SHEETS STA. TO STA.

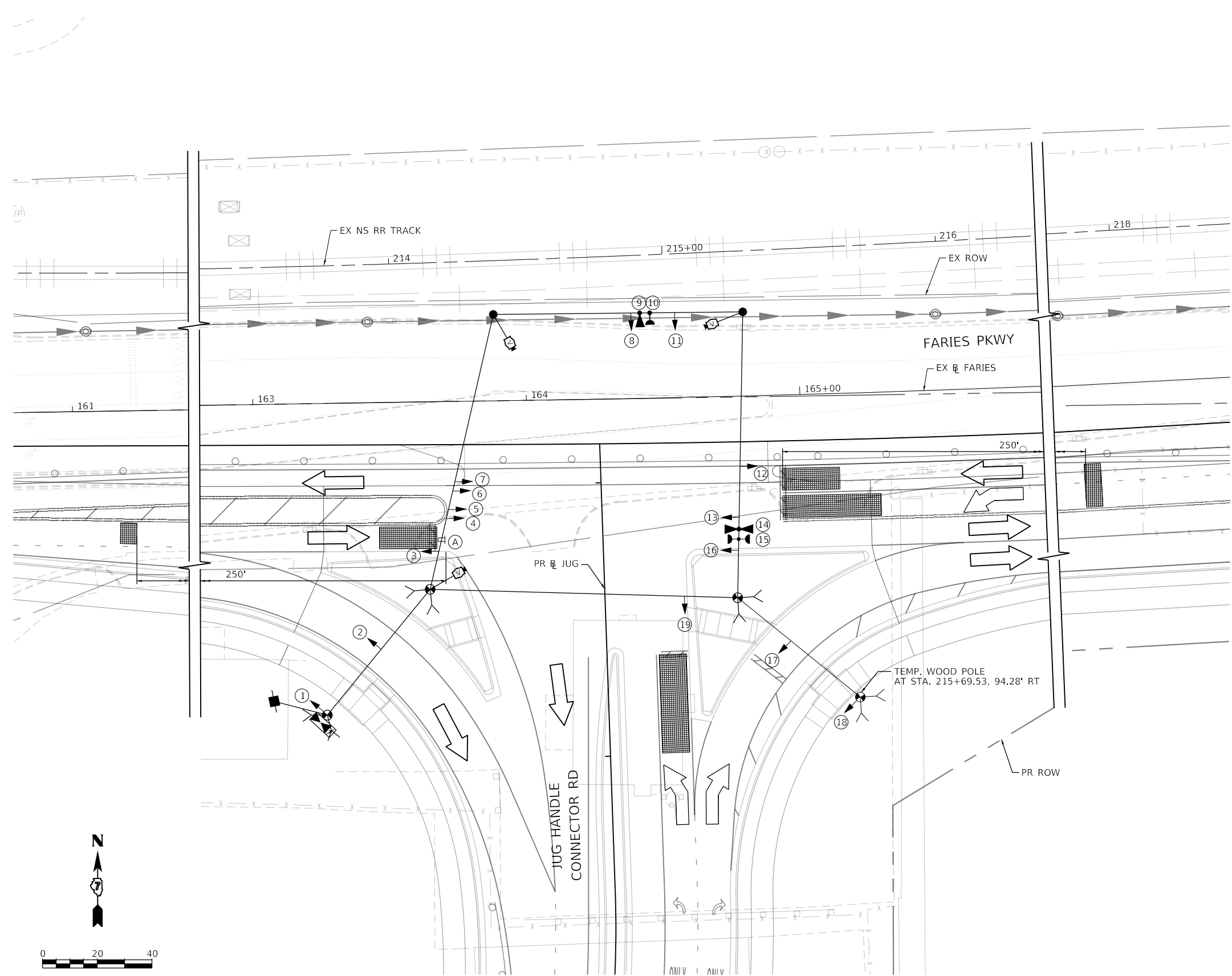
F.A.U. RTE.	SECTION	COUNTY	TOTAL SHEETS	SHEET NO.
7448	09-00933-01-BR	MACON	1019	716
CONTRACT NO. 95893				
		ILLINOIS	FED. AID PROJECT	

TEMPORARY TRAFFIC SIGNAL LEGEND

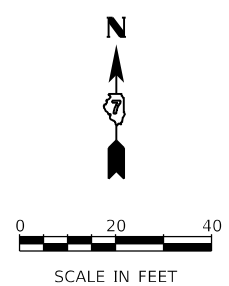
- SIGNAL HEAD WITHOUT BACKPLATE
- ▬ CONDUIT
- ⊠ SERVICE POLE
- ⊠ CONTROLLER
- ⊠ UNINTERRUPTIBLE POWER SUPPLY
- ⊠ VIDEO DETECTION CAMERA
- ⊙ PEDESTRIAN PUSH BUTTON
- ⊠ PEDESTRIAN SIGNAL HEAD
- ⊠ CONFIRMATION BEACON
- ⊠ EMERGENCY VEHICLE LIGHT DETECTOR
- ▬ VIDEO DETECTION ZONE
- "R" REMOVE ITEM
- ⊙ TEMPORARY WOOD POLE
- TEMPORARY SPAN WIRE, TETHER WIRE, AND CABLE
- GUY WIRE
- ⊠ SIGN
- AERIAL CABLE
- PROPOSED MAST ARM POLE

NOTES

1. ADJUST LOCATION OF SIGNAL EQUIPMENT AND VIDEO DETECTION EQUIPMENT ON EXISTING MAST ARMS AND SIGNAL TRUSSES AS NEEDED IN COORDINATION WITH CONSTRUCTION AND MAINTENANCE OF TRAFFIC STAGING. THIS WORK IS TO BE INCLUDED IN THE "TEMPORARY TRAFFIC SIGNAL INSTALLATION" PAY ITEM.



R10-5
24" x 30"
1-REQUIRED
INCLUDED IN "TEMPORARY TRAFFIC SIGNAL INSTALLATION" PAY ITEM



MODEL: Default
FILE NAME: p:\aecom\m-pw\hendley.com\AECOM_0516_MA\Documents\60603202-Brush_College\00-CAD_GIS\010_CAD\013_SHEETS\010_L4\AECOM\Roadway\60603202_SHT_TempSignalL12



USER NAME = patrick.jordan
PLOT SCALE = 40.0000' / in.
PLOT DATE = 4/28/2021

DESIGNED - PTJ
DRAWN - PTJ
CHECKED - MIL
DATE - 4/30/2021

REVISED -
REVISED -
REVISED -
REVISED -

**STATE OF ILLINOIS
DEPARTMENT OF TRANSPORTATION**

**FARIES PARKWAY & JUG HANDLE CONNECTOR ROAD
TEMPORARY TRAFFIC SIGNAL PLAN - STAGE 4A**

SCALE: 1"=XX' SHEET 12 OF 15 SHEETS STA. TO STA.

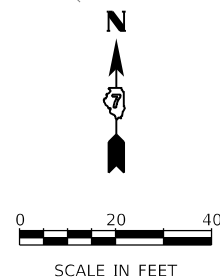
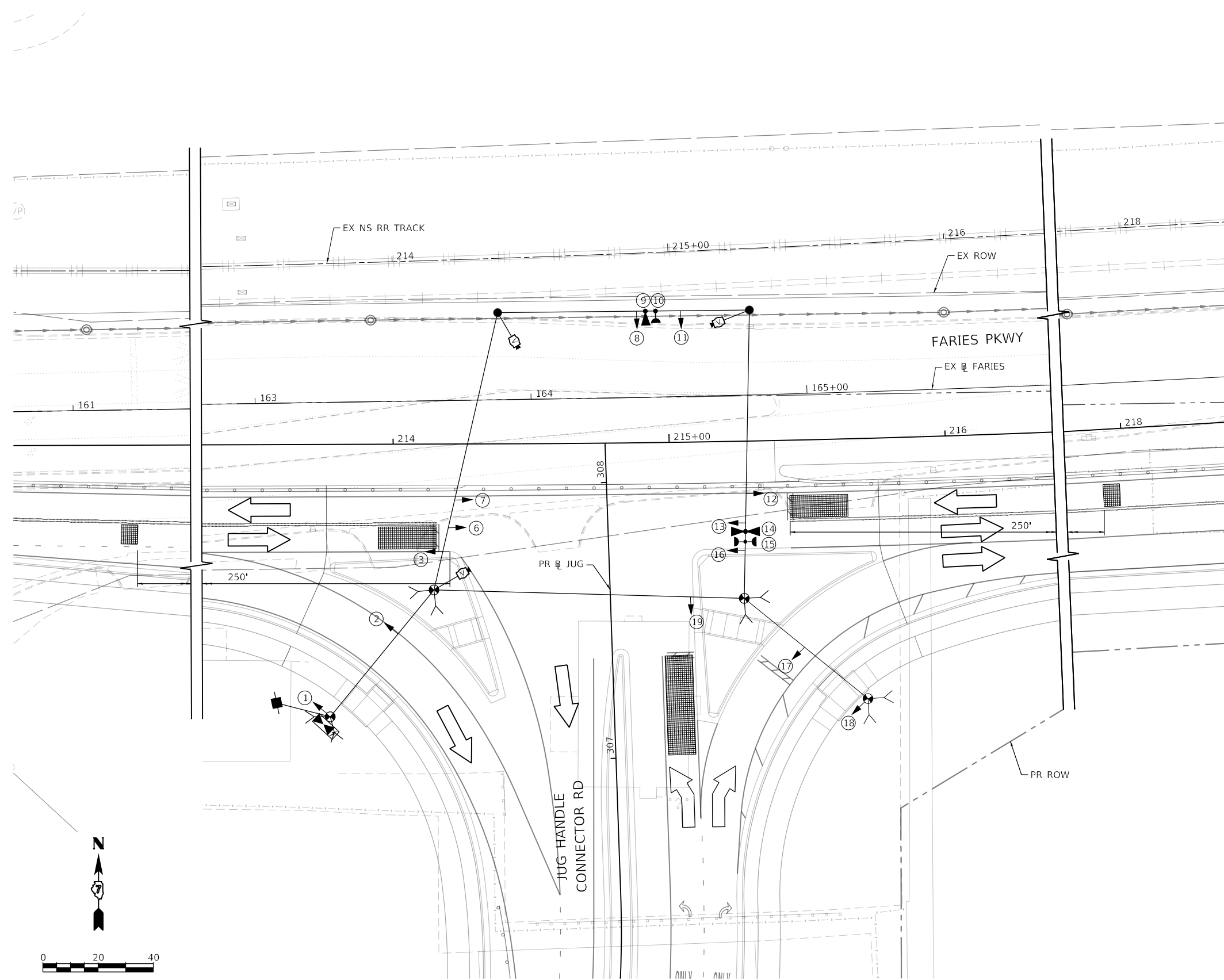
F.A.U. RTE.	SECTION	COUNTY	TOTAL SHEETS	SHEET NO.
7448	09-00933-01-BR	MACON	1019	717
CONTRACT NO. 95893				
ILLINOIS FED. AID PROJECT				

TEMPORARY TRAFFIC SIGNAL LEGEND

- SIGNAL HEAD WITHOUT BACKPLATE
- CONDUIT
- SERVICE POLE
- ⊠ CONTROLLER
- ⊞ UNINTERRUPTABLE POWER SUPPLY
- 📷 VIDEO DETECTION CAMERA
- ⊙ PEDESTRIAN PUSH BUTTON
- ⊠ PEDESTRIAN SIGNAL HEAD
- ⊠ CONFIRMATION BEACON
- ⊠ EMERGENCY VEHICLE LIGHT DETECTOR
- 📊 VIDEO DETECTION ZONE
- "R" REMOVE ITEM
- ⊙ TEMPORARY WOOD POLE
- TEMPORARY SPAN WIRE, TETHER WIRE, AND CABLE
- GUY WIRE
- ⊠ SIGN
- AERIAL CABLE
- PROPOSED MAST ARM POLE

NOTES

1. ADJUST WESTBOUND DETECTION ZONES AND LOCATIONS OF SIGNAL HEADS 6, 7, AND 12 TO ACCOMODATE THE SHIFT IN WESTBOUND APPROACH ALIGNMENT DURING STAGE 4C.
2. ADJUST LOCATION OF SIGNAL EQUIPMENT AND VIDEO DETECTION EQUIPMENT ON EXISTING MAST ARMS AND SIGNAL TRUSSES AS NEEDED IN COORDINATION WITH CONSTRUCTION AND MAINTENANCE OF TRAFFIC STAGING. THIS WORK IS TO BE INCLUDED IN THE "TEMPORARY TRAFFIC SIGNAL INSTALLATION" PAY ITEM.



MODEL: Default
 FILE NAME: p:\aecom\pw\benley.com\AECOM_0516_NA\Documents\60603202-Brush_College\00-00-CAD_GIS\910_CAD\01_SHEETS\01_LA\AECOM\Roadway\60603202_SHT_TempSignal_L13



USER NAME = patrick.jordan
 PLOT SCALE = 40.0000 ' / in.
 PLOT DATE = 4/28/2021

DESIGNED - PTJ
 DRAWN - PTJ
 CHECKED - MJL
 DATE - 4/30/2021

REVISED -
 REVISED -
 REVISED -
 REVISED -

**STATE OF ILLINOIS
 DEPARTMENT OF TRANSPORTATION**

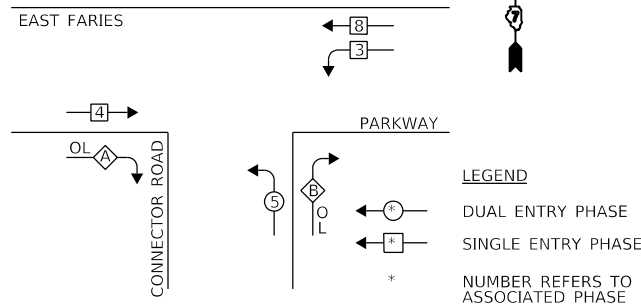
**FARIES PARKWAY & JUG HANDLE CONNECTOR ROAD
 TEMPORARY TRAFFIC SIGNAL PLAN - STAGE 4B AND 4C**

SCALE: 1"=20' SHEET 13 OF 15 SHEETS STA. TO STA.

F.A.U. RTE.	SECTION	COUNTY	TOTAL SHEETS	SHEET NO.
7448	09-00933-01-BR	MACON	1019	718
CONTRACT NO. 95893				

ILLINOIS FED. AID PROJECT

TEMPORARY CONTROLLER SEQUENCE



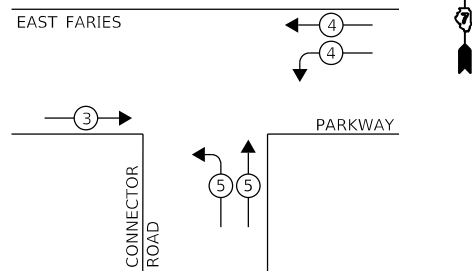
TEMPORARY PHASE DESIGNATION DIAGRAM

RIGHT TURN OVERLAP PHASE DESIGNATION

(SEE NOTE 4)

OVERLAP LETTER	PERMISSIVE PHASE	PROTECTED PHASE
A	= 4	+ 5
B	= 5	+ 3

TEMPORARY EMERGENCY VEHICLE PREEMPTION SEQUENCE



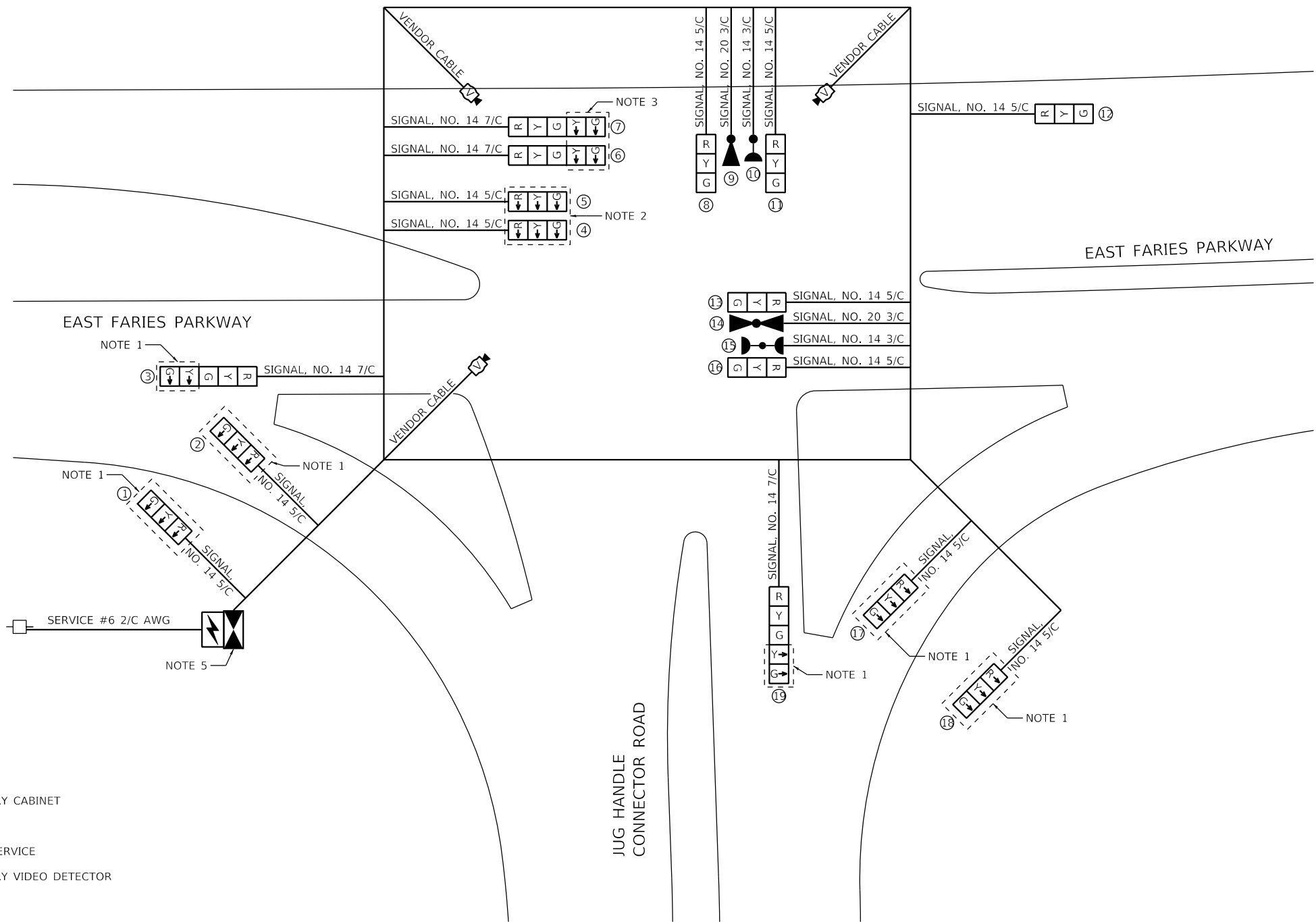
TEMPORARY EMERGENCY VEHICLE PREEMPTOR			
EMERGENCY VEHICLE PREEMPTOR	3	4	5
MOVEMENT	→	↔	↕

LEGEND

- PROPOSED TEMPORARY CABINET
- PROPOSED UPS
- EXISTING ELECTRIC SERVICE
- PROPOSED TEMPORARY VIDEO DETECTOR
- PROPOSED TEMPORARY SIGNAL HEAD

NOTES

- BAG AND DE-ENERGIZE DURING STAGES 3A AND 3B. ENERGIZE DURING STAGES 4A, 4B, AND 4C.
- BAG AND DE-ENERGIZE DURING STAGES 4B AND 4C. ENERGIZE DURING STAGES 3A, 3B, AND 4A.
- BAG AND DE-ENERGIZE DURING STAGES 3A, 3B, AND 4A. ENERGIZE DURING STAGES 4B AND 4C.
- OVERLAP A AND B SHALL ONLY BE IN OPERATION DURING STAGES 4A, 4B, AND 4C.
- SEE SHEET 717 FOR TEMPORARY SIGNAL CONTROLLER SUPPORT PLATFORM DETAIL.



CITY OF DECATUR TRAFFIC SIGNAL INSTALLATION ELECTRICAL SERVICE REQUIREMENTS					TOTAL WATTAGE
TYPE	NO. OF LAMPS	WATTAGE XINCANDL	LED x % OPERATION		
SIGNAL (RED)	15		17	0.50	127.50
(YELLOW)	15		25	0.25	93.75
(GREEN)	15		15	0.25	56.25
ARROW	4		12	0.10	4.80
PED. SIGNAL	0		25	1.00	0.00
CONTROLLER	1		300	1.00	300.00
VIDEO SYSTEM	1	150	-	1.00	150.00
UPS	1	-	25	1.00	25.00
TOTAL =					757.3

ENERGY COSTS TO:

CITY OF DECATUR

ENERGY SUPPLY: CONTACT: SHAWN SPILLMAN, SUPERVISOR
PHONE: (888) 659-4540
COMPANY: AMEREN ILLINOIS



USER NAME = patrick.jordan	DESIGNED - PTJ	REVISED -
PLOT SCALE = 2,0000' / in.	DRAWN - PTJ	REVISED -
PLOT DATE = 4/28/2021	CHECKED - MIL	REVISED -
	DATE - 4/30/2021	REVISED -

STATE OF ILLINOIS
DEPARTMENT OF TRANSPORTATION

FARIES PARKWAY & JUG HANDLE CONNECTOR ROAD
TEMPORARY TRAFFIC SIGNAL CABLE PLAN - STAGES 3A TO 4C

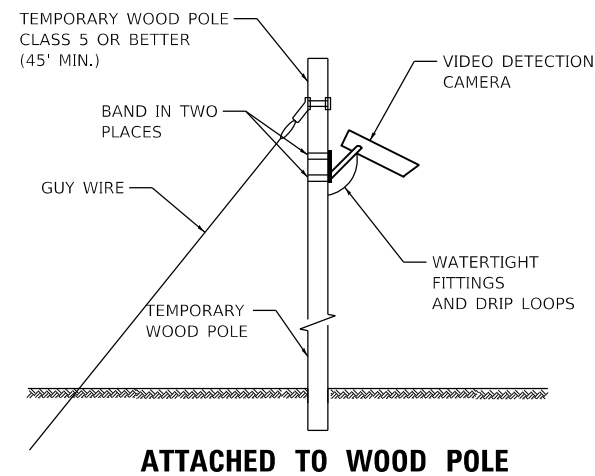
SCALE: N.T.S. SHEET 14 OF 15 SHEETS STA. TO STA.

F.A.U. RTE.	SECTION	COUNTY	TOTAL SHEETS	SHEET NO.
7448	09-00933-01-BR	MACON	1019	719
CONTRACT NO. 95893				
ILLINOIS FED. AID PROJECT				

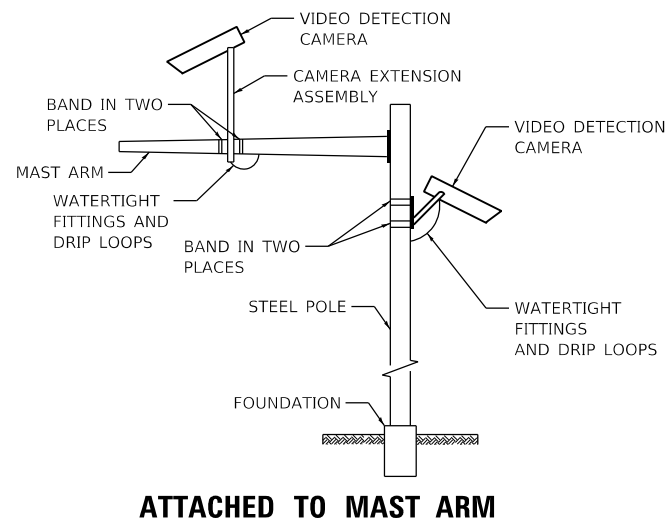
MODEL: Default
FILE NAME: p:\aecom\m-pw\hendley.com\AECOM_0516_MIA\Documents\60603202-Brush_College\00-CAD_GIS\910_CAD\03_SHEETS\01_LA\AECOM\Roadway\60603202_SHT_TempSignal_L14

TEMPORARY VIDEO DETECTION MOUNTING DETAILS

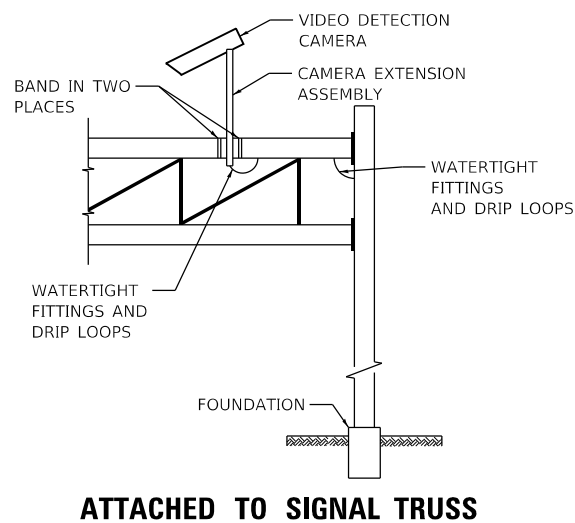
(NOT TO SCALE)



ATTACHED TO WOOD POLE



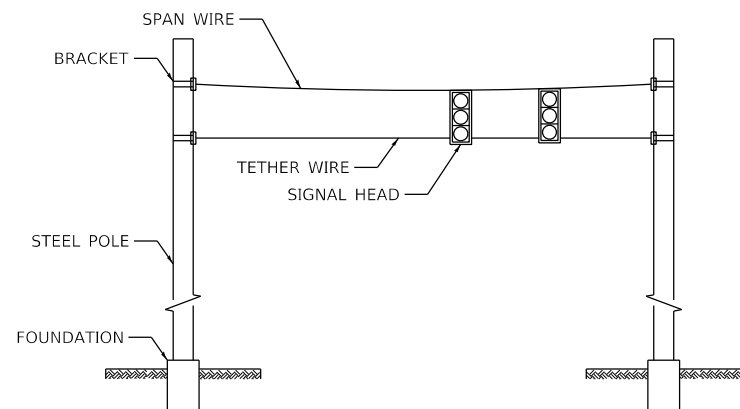
ATTACHED TO MAST ARM



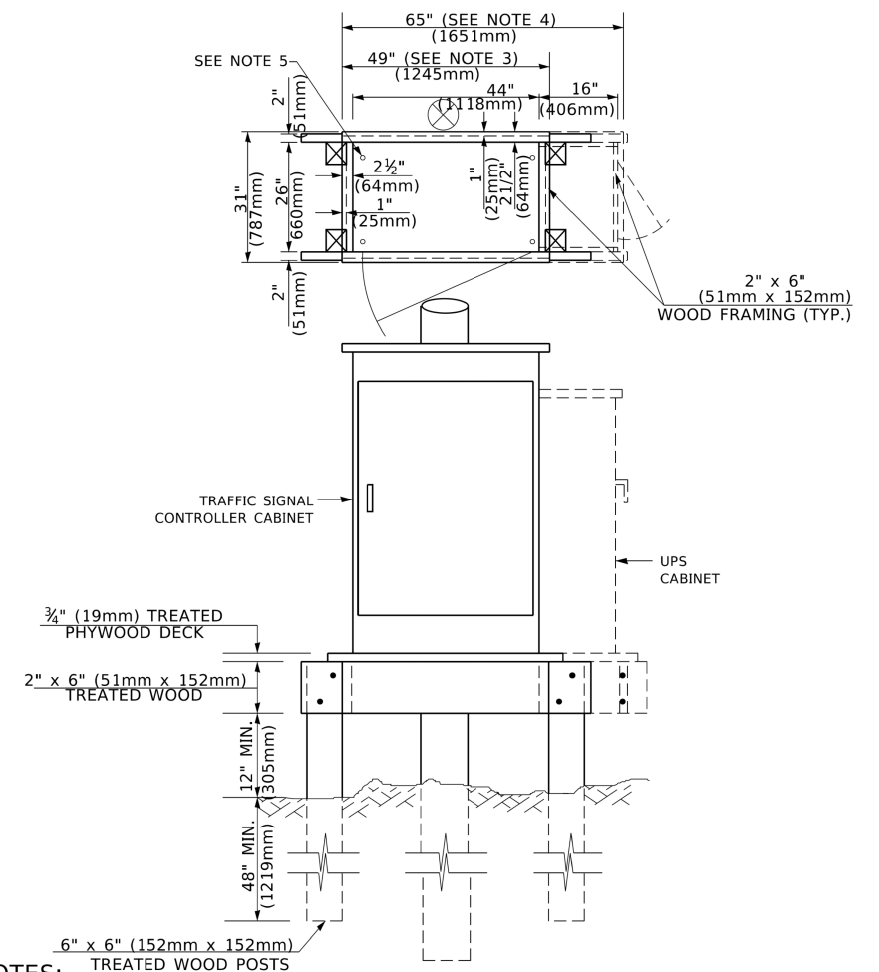
ATTACHED TO SIGNAL TRUSS

SPAN WIRE ATTACHED TO PROPOSED SIGNAL POLE

(NOT TO SCALE)



TEMPORARY SIGNAL CONTROLLER WOOD SUPPORT PLATFORM



NOTES:

1. BASED ON CONTROLLER CABINET TYPE IV WITH BASE DIMENSIONS OF 26" x 44" (660mm x 1118mm). ADJUST PLATFORM SIZE TO FIT CABINET BASE DIMENSIONS BEING SUPPLIED.
2. BASED ON UNINTERRUPTIBLE POWER SUPPLY CABINET WITH BASE DIMENSIONS OF 16" x 25" (406mm x 635mm). ADJUST PLATFORM SIZE TO FIT CABINET BASE DIMENSIONS BEING SUPPLIED.
3. PLATFORM SIZE FOR CONTROLLER CABINET TYPE IV.
4. PLATFORM SIZE FOR CONTROLLER CABINET TYPE IV AND UNINTERRUPTIBLE POWER SUPPLY CABINET.
5. DRILLED HOLES THROUGH THE PLATFORM BASE TO MATCH THE CONTROLLER CABINET BOLT TEMPLATE. FASTEN THE CONTROLLER CABINET TO THE PLATFORM WITH CARRIAGE BOLTS, WASHERS AND NUTS.
6. FASTEN ALL SUPPORT WOOD FRAMING TO THE WOOD POSTS WITH 2 LAG SCREWS FOR EACH CONNECTION..

MODEL: Default
FILE NAME: p:\aecom\m-pw\benley.com\AECOM_0516_MA\Documents\60603202-Brush_College\006-CAD_GIS\910_CAD\03_SHEETS\10_LAECOM\Roadway\60603202_SHT_TempSignal_L15



USER NAME = patrick.jordan
PLOT SCALE = 2,000' / in.
PLOT DATE = 4/28/2021

DESIGNED - PTJ
DRAWN - PTJ
CHECKED - MJL
DATE - 4/30/2021

REVISED -
REVISED -
REVISED -
REVISED -

STATE OF ILLINOIS
DEPARTMENT OF TRANSPORTATION

TEMPORARY TRAFFIC SIGNAL PLAN DETAILS

SCALE: N.T.S. SHEET 15 OF 15 SHEETS STA. TO STA.

F.A.U. RTE.	SECTION	COUNTY	TOTAL SHEETS	SHEET NO.
7448	09-00933-01-BR	MACON	1019	720
CONTRACT NO. 95893				
ILLINOIS FED. AID PROJECT				

ELECTRICAL GENERAL NOTES

- ALL SIGNAL HEADS SHALL HAVE 12" SECTIONS. MOUNTING HARDWARE SHALL BE UNPAINTED ALUMINUM. ALL BOLTS, SCREWS, NUTS AND WASHERS SHALL BE STAINLESS STEEL. ANTI-SEIZE PAST COMPOUND SHALL BE USED ON ALL MOUNTING HARDWARE CONNECTIONS.
- BACK PLATES SHALL BE ABS PLASTIC WITH REFLECTORIZED BORDER.
- THE LOCATION OF MAST ARM SUPPORTS SHALL BE APPROVED BY THE ENGINEER BEFORE FOUNDATIONS ARE CONSTRUCTED. MAST ARM POLES SHALL BE LOCATED A MINIMUM OF 10 FEET FROM THE EDGE OF PAVEMENT OR 2 FEET FROM THE EDGE OF SHOULDER, WHICHEVER DISTANCE IS GREATER. IN CURBED SECTION, THE MAST ARM POLES SHALL BE LOCATED A MINIMUM OF 5 FEET FROM THE FACE OF THE CURB. THESE DISTANCES ARE TO THE NEAR FACE OF THE MAST ARM POLE.
- ALL TRAFFIC SIGNAL CABLES SHALL BE #14 A.W.G. STRANDED COPPER UNLESS OTHERWISE SPECIFIED.
- ALL HANDHOLE'S SHALL BE CAST-IN-PLACE PORTLAND CEMENT CONCRETE (PER ARTICLE 814.03). THE CAST-IN-PLACE LEGEND IN THE COVER SHALL BE "TRAFFIC SIGNALS".
- SLOPE HANDHOLE COVERS TO MATCH PROPOSED GRADE ELEVATIONS.
- MAST ARM FOUNDATION DEPTHS SHOWN ARE APPROXIMATE. THE ENGINEER WILL PROVIDE SOIL BORINGS TO DETERMINE ACTUAL MAST ARM FOUNDATION DEPTHS. THE CONTRACTOR SHALL VERIFY REQUIRED DEPTHS PRIOR TO STEEL FABRICATION AND CONSTRUCTION OF CONCRETE FOUNDATIONS.
- CENTER TO CENTER DISTANCE BETWEEN THE CONDUITS, WHERE TWO OR MORE LOOP LEAD-IN CONDUITS ARE INSTALLED FROM THE EDGE OF THE PAVEMENT TO THE NEAREST HANDHOLE, SHALL BE SIX INCHES MINIMUM AT THE EDGE OF PAVEMENT.
- THERE SHALL BE FOUR (4) GROUND RODS IN THE CONTROLLER CABINET. GROUND WIRES SHALL BE TYPE XLP, NO. 6 A.W.G., STRANDED COPPER, GREEN COLOR CODED AND IN ACCORDANCE WITH STANDARD 873001 AND SECTION 873 OF THE STANDARD SPECIFICATIONS.
- CONDUIT SPLICES WILL NOT BE PAID FOR SEPARATELY, BUT SHALL BE CONSIDERED PART OF THE NEW CONDUIT INSTALLATION.
- THE LOCATION OF SIGNAL HEADS ON MAST ARMS SHALL BE APPROVED BY THE ENGINEER BEFORE MAST ARMS ARE INSTALLED.
- ALL UTILITIES SHALL BE LOCATED IN THE FIELD PRIOR TO ANY ATTEMPT TO CONSTRUCT ANY COMPONENT OF THE VARIOUS TRAFFIC SIGNAL INSTALLATIONS. AGENCIES KNOWN TO HAVE FACILITIES WITHIN THE LIMITS OF THIS IMPROVEMENT ARE THE FOLLOWING:

SANITARY SEWER:
 SANITARY DISTRICT OF DECATUR
 UTILITIES OR CITY OF DECATUR
 UTILITIES
 ONE GARY K. ANDERSON PLAZA
 DECATUR, ILLINOIS 62523
 (217) 422-6931 X216

STORM SEWER:
 CITY OF DECATUR UTILITIES
 ONE GARY K. ANDERSON PLAZA
 DECATUR, ILLINOIS 62523
 (217) 424-2747

WATER:
 CITY OF DECATUR UTILITIES
 ONE GARY K. ANDERSON PLAZA
 DECATUR, ILLINOIS 62523
 (217) 424-2747

ELECTRIC AND GAS:
 AMEREN ELECTRIC TRANSMISSION
 370 S. MAIN STREET (MC: C-25)
 DECATUR, ILLINOIS 62523
 (800) 755-5000 OR (217)-424-6430

COMMUNICATIONS:
 ATT
 1000 COMMERCE DRIVE, FLOOR 1
 OAK BROOK, ILLINOIS 60523
 (630) 573-6414

AMEREN GAS DISTRIBUTION &
 AMEREN ELECTRIC DISTRIBUTION
 2460 N. JASPER STREET
 DECATUR, ILLINOIS 62526
 (217)-424-8745

COMCAST
 (224) 229-5862

AMEREN GAS TRANSMISSION
 370 S. MAIN STREET
 DECATUR, ILLINOIS 62521
 (217)-424-8278

METRO COMMUNICATION
 8 SOUTH WASHINGTON STREET
 SULLIVAN, ILLINOIS 61951
 (217)-728-3605

AMEREN IP SOUTH
 COLLINSVILLE, ILLINOIS 62234
 618-301-5327

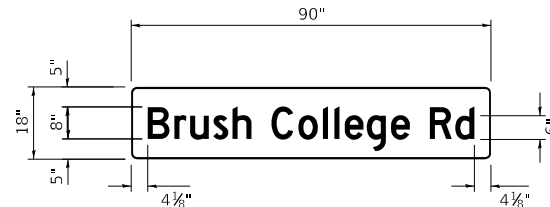
CITY OF DECATUR UTILITIES
 ONE GARY K. ANDERSON PLAZA
 DECATUR, ILLINOIS 62523
 (217) 424-2747

THE LOCATION OF EXISTING UTILITIES AS SHOWN ON THE PLANS HAVE BEEN LOCATED AT THE TIME OF SURVEY, OR BASED ON AVAILABLE EXISTING INFORMATION. NO GUARANTEE IS IMPLIED THAT ALL UTILITIES HAVE BEEN LOCATED OR DEPICTED ON THE PLANS. THE CONTRACTOR SHALL BE RESPONSIBLE FOR VERIFYING THE EXACT LOCATION OF ALL UTILITIES. IT MAY BE NECESSARY TO HAND DIG TEST HOLES TO EXPOSE EXISTING UTILITIES AT SOME LOCATIONS.

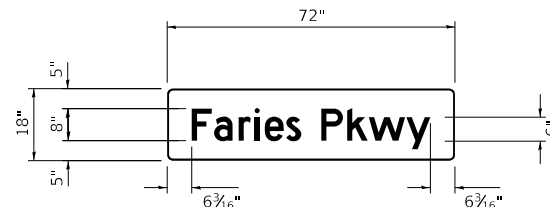


R3-5L
 24" X 30"

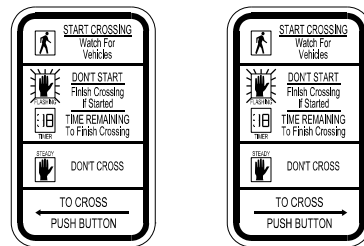
FURNISH & INSTALL EIGHT (8) EACH SIGN
 DETAIL OF
 SIGN PANEL - TYPE 1
 (NOT TO SCALE)



FURNISH & INSTALL ONE (1) EACH SIGN
 DETAIL OF
 SIGN PANEL - TYPE 2
 (NOT TO SCALE)



FURNISH & INSTALL ONE (1) EACH SIGN
 DETAIL OF
 SIGN PANEL - TYPE 1
 (NOT TO SCALE)



R10-3e
 9" X 15"

FURNISH & INSTALL EIGHT (8) EACH SIGN
 FURNISH & INSTALL FOUR (4) EACH SIGN

DETAIL OF
 SIGN PANEL - TYPE 1
 (NOT TO SCALE)

TRAFFIC SIGNAL QUANTITIES			
CODE NO.	ITEM	UNIT	TOTAL QUANTITIES
72000100	SIGN PANEL - TYPE 1	SQ FT	61
72000200	SIGN PANEL - TYPE 2	SQ FT	12
73303000	OVERHEAD SIGN STRUCTURE - MONOTUBE	FOOT	91.1
73400200	DRILLED SHAFT CONCRETE FOUNDATIONS	CU YD	14.7
80500100	SERVICE INSTALLATION, TYPE A	EACH	2
81028350	UNDERGROUND CONDUIT, PVC, 2" DIA.	FOOT	575
81028370	UNDERGROUND CONDUIT, PVC, 3" DIA.	FOOT	258
81028390	UNDERGROUND CONDUIT, PVC, 4" DIA.	FOOT	228
81028400	UNDERGROUND CONDUIT, PVC, 5" DIA.	FOOT	128
81400100	HANDHOLE	EACH	10
81400300	DOUBLE HANDHOLE	EACH	2
85700200	FULL-ACTUATED CONTROLLER AND TYPE IV CABINET	EACH	2
86200200	UNINTERRUPTABLE POWER SUPPLY, STANDARD	EACH	2
87301225	ELECTRIC CABLE IN CONDUIT, SIGNAL NO. 14 3C	FOOT	4,409
87301245	ELECTRIC CABLE IN CONDUIT, SIGNAL NO. 14 5C	FOOT	9,066
87301805	ELECTRIC CABLE IN CONDUIT, SERVICE, NO. 6 2 C	FOOT	32
87301900	ELECTRIC CABLE IN CONDUIT, EQUIPMENT GROUNDING CONDUCTOR, NO. 6 1C	FOOT	1,712
87501000	TRAFFIC SIGNAL POST, 14 FT.	EACH	9
87600100	PEDESTRIAN PUSH-BUTTON POST, TYPE I	EACH	4
87700180	STEEL MAST ARM ASSEMBLY AND POLE, 28 FT.	EACH	1
87702930	STEEL COMBINATION MAST ARM ASSEMBLY AND POLE 40 FT.	EACH	1
87702940	STEEL COMBINATION MAST ARM ASSEMBLY AND POLE 42 FT.	EACH	1
87702950	STEEL COMBINATION MAST ARM ASSEMBLY AND POLE 44 FT.	EACH	1
87702985	STEEL COMBINATION MAST ARM ASSEMBLY AND POLE 52 FT.	EACH	1
87800100	CONCRETE FOUNDATION, TYPE A	FOOT	27
87800150	CONCRETE FOUNDATION, TYPE C	FOOT	6
87800415	CONCRETE FOUNDATION, TYPE E 36-INCH DIAMETER	FOOT	73
88040070	SIGNAL HEAD, POLYCARBONATE, LED, 1-FACE, 3-SECTION, BRACKET MOUNTED	EACH	16
88040090	SIGNAL HEAD, POLYCARBONATE, LED, 1-FACE, 3-SECTION, MAST ARM MOUNTED	EACH	16
88102825	PEDESTRIAN SIGNAL HEAD, POLYCARBONATE, LED, 1-FACE, BRACKET MOUNTED WITH COUNT DOWN TIMER	EACH	12
88200510	TRAFFIC SIGNAL BACKPLATE, RETROREFLECTIVE	EACH	16
88800100	PEDESTRIAN PUSH-BUTTON	EACH	12
X1400399	VIDEO DETECTION SYSTEM COMPLETE	EACH	2
X8870300	EMERGENCY VEHICLE PRIORITY SYSTEM	EACH	2

MODEL: Default
 FILE NAME: p:\metcom\m-pw\hennley.com\AECON_051\NA\Documents\60603202-Brush_College\006-CAD GIS\10_CAD\03_SHEETS\04-KASKASKIA\Sigmas\60603202_SHT_15_D_Notes_S00-01.dgn



USER NAME = rjo	DESIGNED - LDC	REVISED -
PLOT SCALE = 2,000' / 1" =	CHECKED - LDC	REVISED -
PLOT DATE = 4/27/2021	DATE - 4/30/2021	REVISED -

**STATE OF ILLINOIS
 DEPARTMENT OF TRANSPORTATION**

**BRUSH COLLEGE ROAD & FARIES PARKWAY
 TRAFFIC SIGNAL PLAN NOTES AND QUANTITIES**

SCALE: SHEET 1 OF 10 SHEETS STA. TO STA.

F.A.U. RTE.	SECTION	COUNTY	TOTAL SHEETS	SHEET NO.
7448	09-00933-01-BR	MACON	1019	721
CONTRACT NO. 95893				
ILLINOIS FED. AID PROJECT				

SCHEDULE OF POST & MAST ARM ASSEMBLIES BRUSH COLLEGE ROAD AND CONNECTOR ROAD										
REF.	LOCATION	TYPE	LENGTH	FOUNDATION TYPE	FOUNDATION DEPTH	STATION	OFFSET	BOLT CIRCLE	NO. ANCHOR RODS	ANCHOR ROD SIZE
MA 1	NORTHWEST QUADRANT	S MAA & P	28.0 FT	DRILL SHAFT CONC FDN *	29.0 FT.	55+70.00	61.10 LT	18 IN.	4	1 3/4" x 7'
TRUSS 1	SOUTHWEST QUADRANT & SOUTHEAST QUADRANT	OH SN STR-MOTUBE	91.1 FT	DRILL SHAFT CONC FDN *	26.0 FT.	54+91.53	56.52 LT			
				DRILL SHAFT CONC FDN *	14.0 FT.		34.58 RT			
TSP 2	SOUTHEAST QUADRANT	TS POST A 14		CONC FDN TY A	3.0 FT.	54+68.40	92.38 RT			
TSP 4	SOUTHEAST QUADRANT	TS POST A 14		CONC FDN TY A	3.0 FT.	54+96.23	68.41 RT			
MA 2	NORTHEAST QUADRANT	STL COMB MAA&P	44.0 FT.	CONC FDN TY E 36D	13.0 FT.	55+98.34	49.78 RT	21 IN.	6	1 3/4" x 7'
TSP 5	NORTHEAST QUADRANT	TS POST A 14		CONC FDN TY A	3.0 FT.	56+35.03	55.29 RT			
PB 1	NORTHEAST QUADRANT	PED PUSH-BUT POST T1				56+65.24	83.70 RT			
TSP 6	NORTHEAST QUADRANT	TS POST A 14		CONC FDN TY A	3.0 FT.	56+75.86	87.69 RT			

*NOTE: SEE SHEETS 7, 8, 9, & 10 OF 10 FOR DRILLED SHAFT CONCRETE FOUNDATION DETAILS.

SCHEDULE OF HANDHOLE QUANTITIES BRUSH COLLEGE ROAD AND CONNECTOR ROAD				
REF.	LOCATION	DESCRIPTION	STATION	OFFSET
HH-12	NORTHWEST QUADRANT	HANDHOLE	55+60.00	62.00 LT
HH-11	SOUTHWEST QUADRANT	HANDHOLE	55+00.00	58.00 LT
HH-4	SOUTHEAST QUADRANT	HANDHOLE	54+60.30	82.13 RT
HH-3	SOUTHEAST QUADRANT	HANDHOLE	55+02.91	78.96 RT
HH-2	NORTHEAST QUADRANT	HANDHOLE	56+10.66	60.90 RT
DHH-1	NORTHEAST QUADRANT	DOUBLE HANDHOLE	56+69.30	100.69 RT

SCHEDULE OF SIGNAL HEAD QUANTITIES BRUSH COLLEGE ROAD AND CONNECTOR ROAD			
QTY.	UNIT	ITEM	SIGNAL #
8	EACH	SH, P, LED, 1F, 3-SEC, BM	5,8,11,12,13,14,15,16
8	EACH	SH, P, LED, 1F, 3-SEC, MAM	1,2,3,4,6,7,9,10
8	EACH	TRAFFIC SIGNAL BACKPLATE, FORMED PLASTIC	1,2,3,4,6,7,9,10
6	EACH	PED, SH, P, LED, 1F, BM CT	

SCHEDULE OF POST & MAST ARM ASSEMBLIES FARIES PARKWAY AND CONNECTOR ROAD										
REF.	LOCATION	TYPE	LENGTH	FOUNDATION TYPE	FOUNDATION DEPTH	STATION	OFFSET	BOLT CIRCLE	NO. ANCHOR RODS	ANCHOR ROD SIZE
MA 3	NORTHWEST QUADRANT	STL COMB MAA&P	52.0 FT.	CONC FDN TY E 36D	25.0 FT.	214+38.04	47.50 LT	21 IN.	6	1 3/4" x 7'
TSP 7	SOUTHWEST QUADRANT	TS POST A 14		CONC FDN TY A	3.0 FT.	213+86.52	100.60 RT			
PB 2	SOUTHWEST QUADRANT	PED PUSH-BUT POST T1				213+97.25	96.77 RT			
TSP 8	SOUTHWEST QUADRANT	TS POST A 14		CONC FDN TY A	3.0 FT.	214+18.10	47.61 RT			
TSP 9	SOUTHWEST QUADRANT	TS POST A 14		CONC FDN TY A	3.0 FT.	214+23.19	63.51 RT			
PB 3	SOUTHWEST QUADRANT	PED PUSH-BUT POST T1				214+30.07	72.51 RT			
MA 4	NORTHEAST QUADRANT	STL COMB MAA&P	42.0 FT.	CONC FDN TY E 36D	15.0 FT.	215+30.00	47.50 LT	21 IN.	6	1 3/4" x 7'
TSP 10	SOUTHEAST QUADRANT	TS POST A 14		CONC FDN TY A	3.0 FT.	215+21.83	72.79 RT			
PB 4	SOUTHEAST QUADRANT	PED PUSH-BUT POST T1				215+61.18	86.09 RT			
TSP 11	SOUTHEAST QUADRANT	TS POST A 14		CONC FDN TY A	3.0 FT.	215+64.83	96.98 RT			
MA 5	SOUTHEAST QUADRANT	STL COMB MAA&P	40.0 FT.	CONC FDN TY E 36D	20.0 FT.	215+21.22	60.90 RT	21 IN.	6	1 3/4" x 7'

SCHEDULE OF HANDHOLE QUANTITIES FARIES PARKWAY AND CONNECTOR ROAD				
REF.	LOCATION	DESCRIPTION	STATION	OFFSET
DHH-5	SOUTHWEST QUADRANT	DOUBLE HANDHOLE	213+70.42	92.13 RT
HH-6	SOUTHWEST QUADRANT	HANDHOLE	214+09.34	51.08 RT
HH-7	SOUTHEAST QUADRANT	HANDHOLE	215+25.23	48.05 RT
HH-8	SOUTHEAST QUADRANT	HANDHOLE	215+51.34	93.90 RT
HH-9	NORTHWEST QUADRANT	HANDHOLE	214+09.34	43.50 LT
HH-10	NORTHEAST QUADRANT	HANDHOLE	215+20.00	43.50 LT

SCHEDULE OF SIGNAL HEAD QUANTITIES FARIES PARKWAY AND CONNECTOR ROAD			
QTY.	UNIT	ITEM	SIGNAL #
8	EACH	SH, P, LED, 1F, 3-SEC, BM	21,24,27,28,29,30,31,32
8	EACH	SH, P, LED, 1F, 3-SEC, MAM	17,18,19,20,22,23,25,26
8	EACH	TRAFFIC SIGNAL BACKPLATE, FORMED PLASTIC	17,18,19,20,22,23,25,26
6	EACH	PED, SH, P, LED, 1F, BM CT	

MODEL: Default
FILE NAME: p:\metcom\m-pw\hendley.com\AECOM_0516_M\Documents\60603202-Brush\College\000-CAD GIS\910_CAD\03_SHEETS\04-KASKASKIA\SIGNALS\60603202_SHT_TS_02_Schedule.dgn



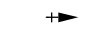
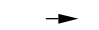







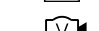



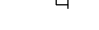
USER NAME = rjo	DESIGNED - LDC	REVISED -
	DRAWN - RJO	REVISED -
PLOT SCALE = 2,000' / in.	CHECKED - LDC	REVISED -
PLOT DATE = 4/27/2021	DATE - 4/30/2021	REVISED -

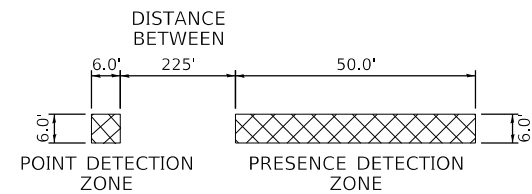
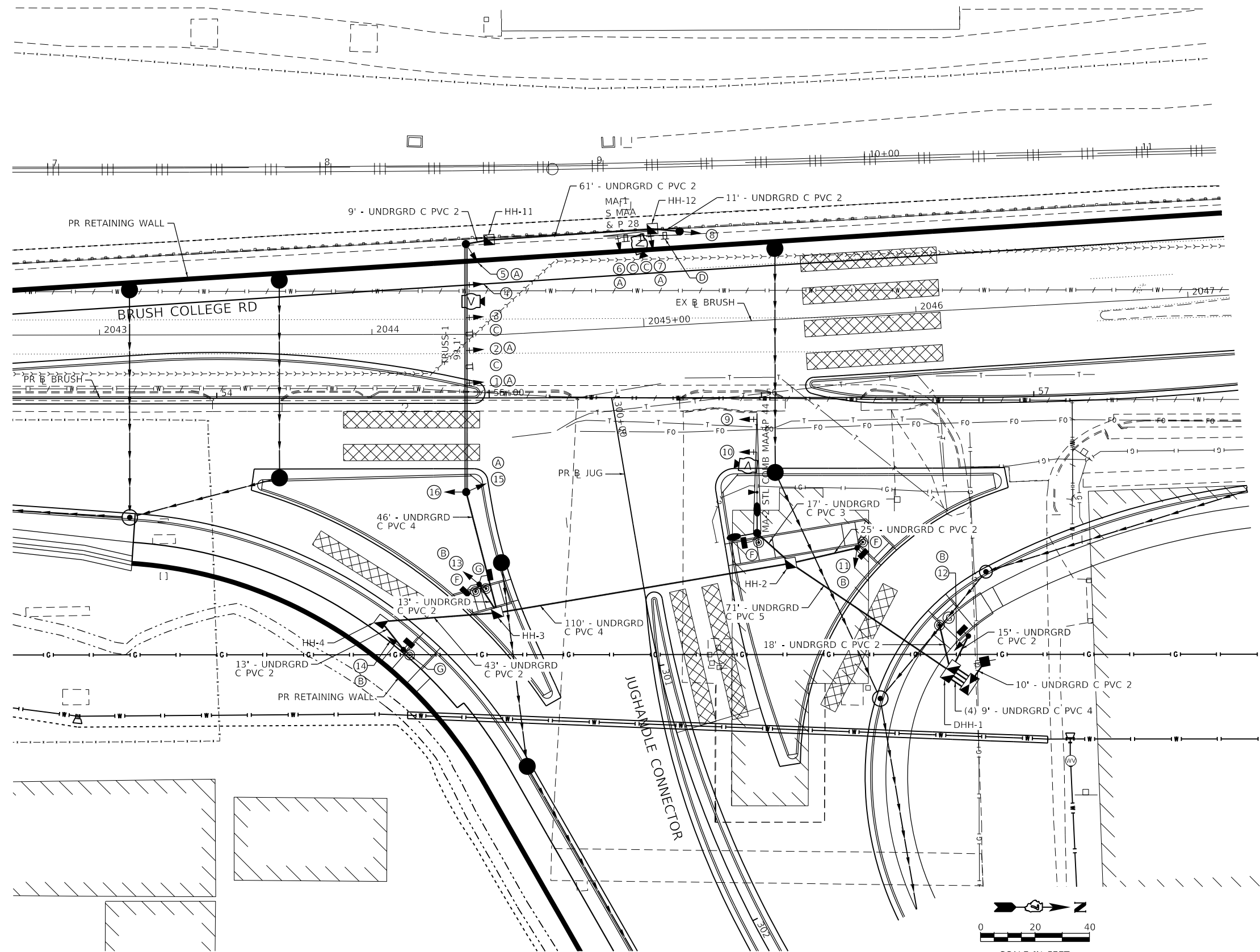
STATE OF ILLINOIS
DEPARTMENT OF TRANSPORTATION

BRUSH COLLEGE ROAD & FARIES PARKWAY TRAFFIC SIGNAL PLAN SCHEDULES	
SCALE:	SHEET 2 OF 10 SHEETS STA. TO STA.

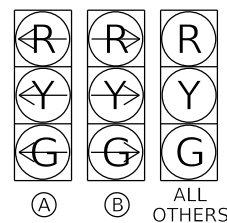
F.A.U. RTE.	SECTION	COUNTY	TOTAL SHEETS	SHEET NO.
7448	09-00933-01-BR	MACON	1019	722
CONTRACT NO. 95893				
ILLINOIS FED. AID PROJECT				

TRAFFIC SIGNAL LEGEND

-  PROPOSED SIGNAL HEAD WITH BACKPLATE
-  PROPOSED SIGNAL HEAD WITHOUT BACKPLATE
-  PROPOSED HANDHOLE
-  PROPOSED DOUBLE HANDHOLE
-  PROPOSED CONDUIT
-  PROPOSED COMBINATION MAST ARM ASSEMBLY & POLE (LENGTH SPECIFIED)
-  PROPOSED TRAFFIC SIGNAL POST
-  PROPOSED SERVICE POLE
-  PROPOSED CONTROLLER WITH CONCRETE FOUNDATION, TYPE D
-  PROPOSED TRAFFIC SIGNAL VIDEO DETECTOR SYSTEM
-  PROPOSED TRAFFIC SIGNAL PEDESTRIAN SIGNAL HEAD
-  PROPOSED TRAFFIC SIGNAL PEDESTRIAN PUSH BUTTON
-  PROPOSED SIGN
-  PROPOSED EMERGENCY VEHICLE PRIORITY SYSTEM



TYPICAL LAYOUT
PROPOSED VIDEO DETECTION ZONE



MODEL: Default
 FILE NAME: p:\mcom\m-pw\benley.com\AECOM_0516_MIA\Documents\60603202-Brush_College\00-CAD_GIS\910_CAD\03_SHEETS\04-KASKASKIA\SIGNALS\60603202_SHT_15_03_Brush03.dgn
 PROJECT: PROFESSIONAL DESIGN SERVICES
 ILLINOIS PROFESSIONAL DESIGN FIRM
 KASKASKIA ENGINEERING GROUP, LLC
 184.004773
 20-5880586



USER NAME = rjo	DESIGNED - LDC	REVISED -
	DRAWN - RJO	REVISED -
PLOT SCALE = 40.0000' / in.	CHECKED - LDC	REVISED -
PLOT DATE = 4/27/2021	DATE - 4/30/2021	REVISED -

STATE OF ILLINOIS
DEPARTMENT OF TRANSPORTATION

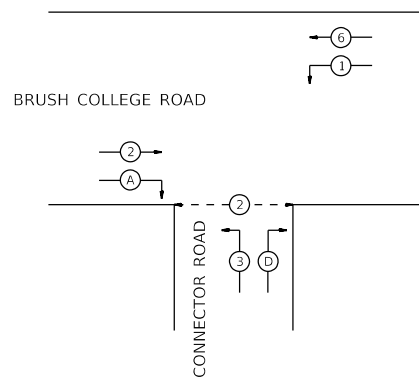
BRUSH COLLEGE ROAD
TRAFFIC SIGNAL INSTALLATION PLAN

SCALE: 1"=20' SHEET 3 OF 10 SHEETS STA. 52+00.00 TO STA. 57+75.00

F.A.U. RTE. 7448	SECTION 09-00933-01-BR	COUNTY MACON	TOTAL SHEETS 1019	SHEET NO. 723
CONTRACT NO. 95893				
ILLINOIS FED. AID PROJECT				

CABLE DIAGRAM LEGEND

- ELECTRIC CABLE IN CONDUIT
- 5/C NUMBER OF CONDUCTORS IN CABLE
- PROPOSED SERVICE INSTALLATION
- NO. 14 AMERICAN WIRE GAUGE (AWG) SIZE 14 CONDUCTORS (SEE GENERAL NOTES)
- C.D. CALL DELAY (SEE GENERAL NOTES)
- C.C.O. CALL CARRY OVER (SEE GENERAL NOTES)
- CABLE SPLICE (SEE GENERAL NOTES)
- ⓧ TRAFFIC SIGNAL VIDEO DETECTOR SYSTEM
- Ⓞ PEDESTRIAN PUSH BUTTON
- Ⓜ PEDESTRIAN SIGNAL HEAD WITH COUNTDOWN DISPLAY
- ▲ EMERGENCY VEHICLE PRIORITY SYSTEM



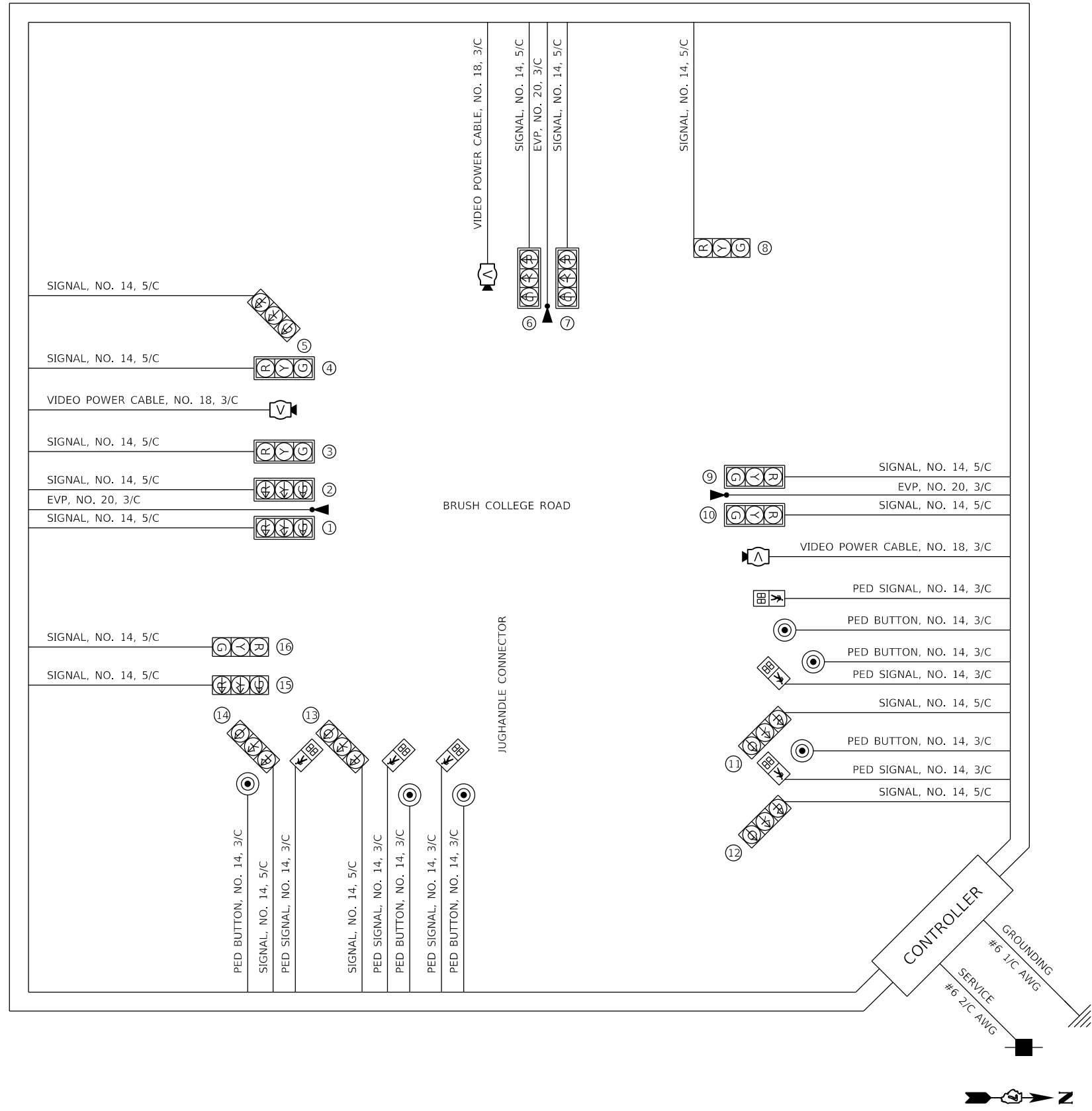
PHASE DESIGNATION DIAGRAM

SEQUENCE OF OPERATIONS

FULL-ACTUATED CONTROLLER AND TYPE IV CABINET								
PHASE Ø	1	2	3	4	5	6	7	8
MOVEMENT	EB LT	WB	NB LT	N/A	N/A	EB	N/A	N/A
CONCURRENT MOVEMENT PERMITTED	6 OR OLD	6	OLA			2		

PEDESTRIAN SIGNAL BY ACTUATION ONLY

GROUNDING #6 1/C AWG



MODEL: Default
FILE NAME: p:\mcom\p-w\benley.com\AECOM_0518_NA\Documents\60603202-Brush\College\006-CAD GIS\010_CAD\01_SHEETS\04-KASKASKIA\SIGNALS\60603202_SHT_15_P4_Brush-04.dgn



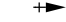
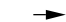









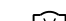
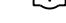

USER NAME = rjo	DESIGNED - LDC	REVISED -
PLOT SCALE = 40.0000 ' / in.	DRAWN - RJO	REVISED -
PLOT DATE = 4/27/2021	CHECKED - LDC	REVISED -
	DATE - 4/30/2021	REVISED -

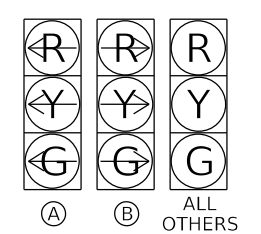
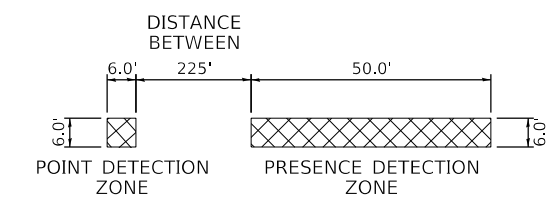
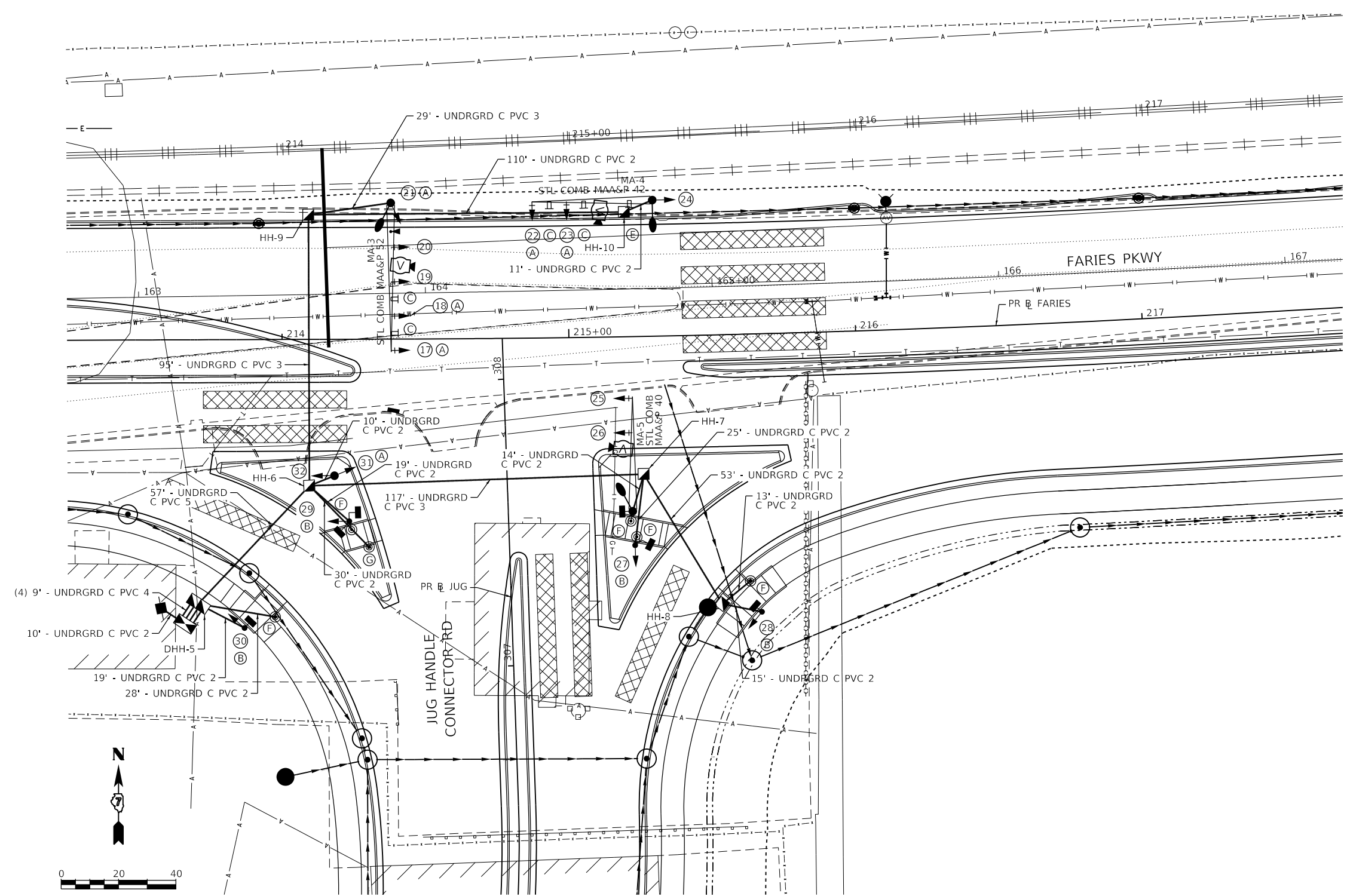
**STATE OF ILLINOIS
DEPARTMENT OF TRANSPORTATION**

BRUSH COLLEGE ROAD TRAFFIC SIGNAL PLAN CABLE DIAGRAM			
SCALE:	SHEET 4	OF 10 SHEETS	STA. TO STA.

F.A.U. RTE.	SECTION	COUNTY	TOTAL SHEETS	SHEET NO.
7448	09-00933-01-BR	MACON	1019	724
CONTRACT NO. 95893				
ILLINOIS FED. AID PROJECT				

TRAFFIC SIGNAL LEGEND

-  PROPOSED SIGNAL HEAD WITH BACKPLATE
-  PROPOSED SIGNAL HEAD WITHOUT BACKPLATE
-  PROPOSED HANDHOLE
-  PROPOSED DOUBLE HANDHOLE
-  PROPOSED CONDUIT
-  PROPOSED COMBINATION MAST ARM ASSEMBLY & POLE (LENGTH SPECIFIED)
-  PROPOSED TRAFFIC SIGNAL POST
-  PROPOSED SERVICE POLE
-  PROPOSED CONTROLLER WITH CONCRETE FOUNDATION, TYPE D
-  PROPOSED TRAFFIC SIGNAL VIDEO DETECTOR SYSTEM
-  PROPOSED TRAFFIC SIGNAL PEDESTRIAN SIGNAL HEAD
-  PROPOSED TRAFFIC SIGNAL PEDESTRIAN PUSH BUTTON
-  PROPOSED SIGN
-  PROPOSED EMERGENCY VEHICLE PRIORITY SYSTEM



MODEL: Default
 FILE NAME: p:\w\com\m-pw\hendley.com\AECOM_051\MA\Documents\60603202-Brush_College\00-CAD GIS\010_CAD\01_SHEETS\04-KASKASKIA\Sigmas\60603202_SHT_15_05_Faries.dgn
 PROJECT: PROFESSIONAL SERVICES
 LICENSE NO. 184,004,773
 PROFESSIONAL DESIGNER: Eric
 PROFESSIONAL ENGINEERING GROUP 20-5880586

Kaskaskia
 Engineering Group, LLC
 PROFESSIONAL SERVICES
 LICENSE NO. 184,004,773
 PROFESSIONAL DESIGNER: Eric
 PROFESSIONAL ENGINEERING GROUP 20-5880586

USER NAME = rjo	DESIGNED - LDC	REVISED -
PLOT SCALE = 40.0000' / in.	DRAWN - RJO	REVISED -
PLOT DATE = 4/27/2021	CHECKED - LDC	REVISED -
	DATE - 4/30/2021	REVISED -

STATE OF ILLINOIS
DEPARTMENT OF TRANSPORTATION

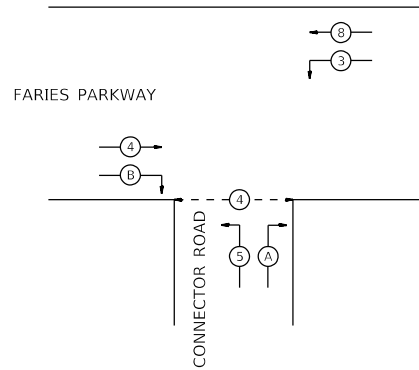
FARIES PARKWAY
TRAFFIC SIGNAL INSTALLATION PLAN

SCALE: 1"=20' SHEET 5 OF 10 SHEETS STA. 213+25.00 TO STA. 219+00.00

F.A.U. RTE. 7448	SECTION 09-00933-01-BR	COUNTY MACON	TOTAL SHEETS 1019	SHEET NO. 725
CONTRACT NO. 95893				
ILLINOIS FED. AID PROJECT				

CABLE DIAGRAM LEGEND

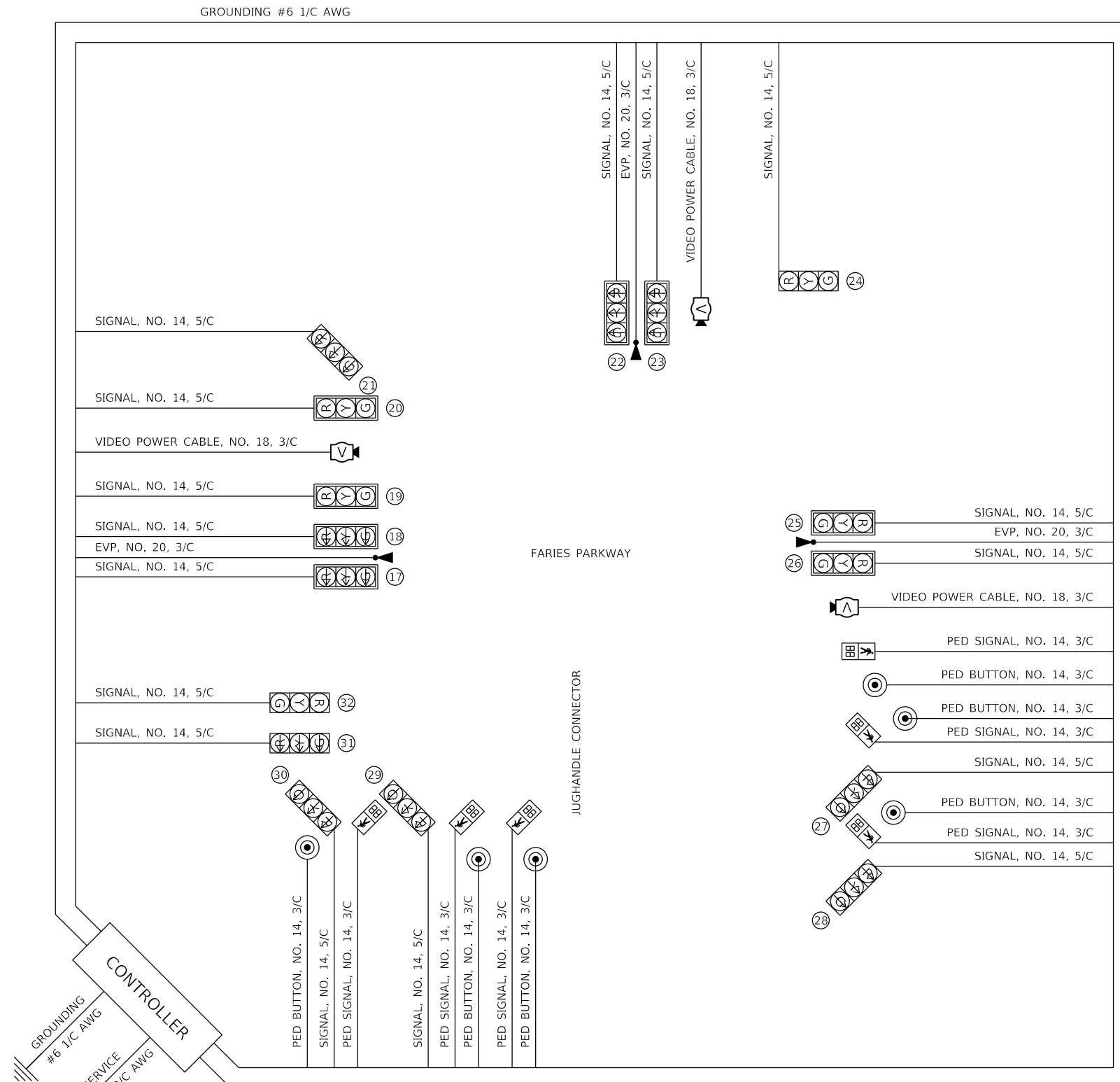
- ELECTRIC CABLE IN CONDUIT
- 5/C NUMBER OF CONDUCTORS IN CABLE
- PROPOSED SERVICE INSTALLATION
- NO. 14 AMERICAN WIRE GAUGE (AWG) SIZE 14 CONDUCTORS (SEE GENERAL NOTES)
- C.D. CALL DELAY (SEE GENERAL NOTES)
- C.C.O. CALL CARRY OVER (SEE GENERAL NOTES)
- CABLE SPLICE (SEE GENERAL NOTES)
- ⓧ TRAFFIC SIGNAL VIDEO DETECTOR SYSTEM
- ⊙ PEDESTRIAN PUSH BUTTON
- Ⓜ PEDESTRIAN SIGNAL HEAD WITH COUNTDOWN DISPLAY
- ▲ EMERGENCY VEHICLE PRIORITY SYSTEM



SEQUENCE OF OPERATIONS

FULL-ACTUATED CONTROLLER AND TYPE IV CABINET								
PHASE Ø	1	2	3	4	5	6	7	8
MOVEMENT	N/A	N/A	NB LT	SB	WB LT	N/A	N/A	NB
CONCURRENT MOVEMENT PERMITTED			OLA	8	OLB			3

PEDESTRIAN SIGNAL BY ACTUATION ONLY



MODEL: Default; FILE NAME: p:\mecon\m-pw\benley.com\AECOM_051_NA\Documents\60603202-Brush\College\006-CAD GIS\910_CAD\03_SHEETS\04-KASKASKIA\SIGNALS\60603202_SHT_T5_06_Faries-06.dgn



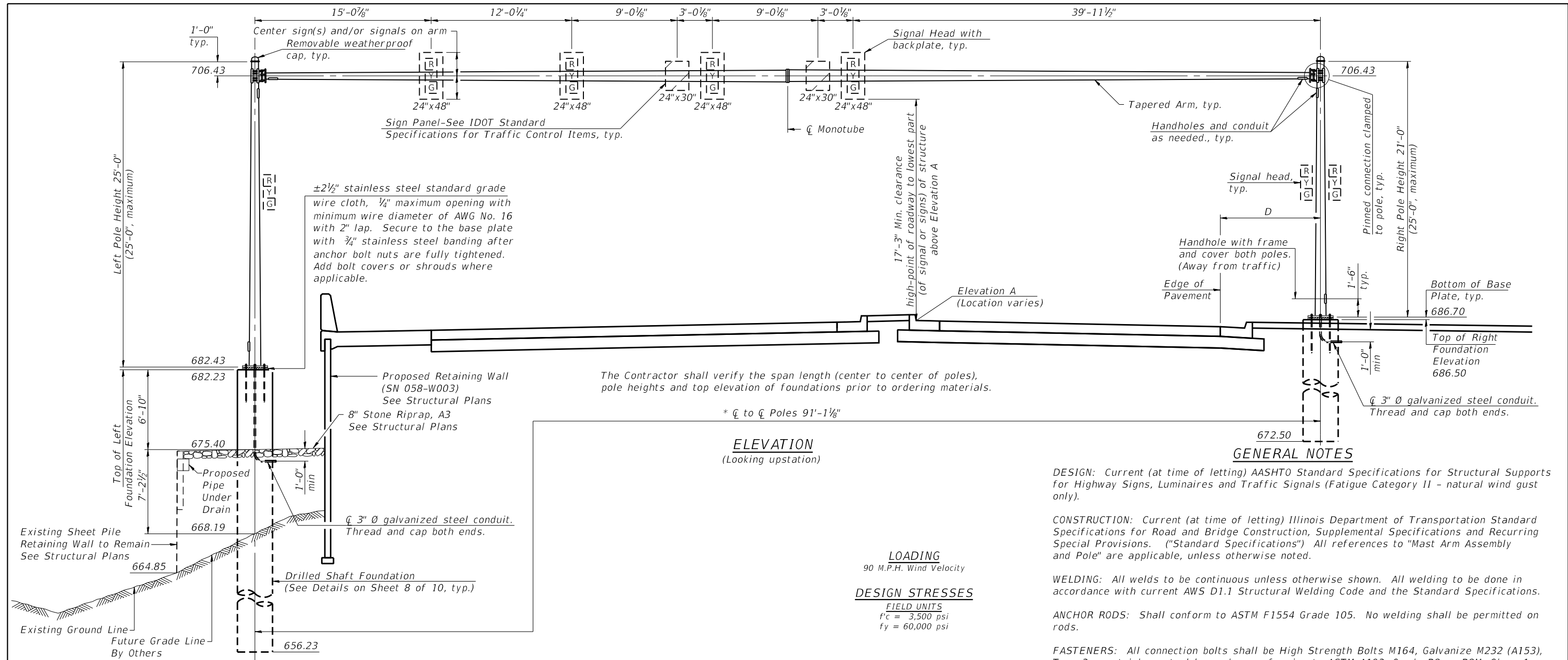
USER NAME = rjo	DESIGNED - LDC	REVISED -
PLOT SCALE = 40.0000 ' / in.	DRAWN - RJO	REVISED -
PLOT DATE = 4/27/2021	CHECKED - LDC	REVISED -
	DATE - 4/30/2021	REVISED -

**STATE OF ILLINOIS
DEPARTMENT OF TRANSPORTATION**

**FARIES PARKWAY
TRAFFIC SIGNAL PLAN CABLE DIAGRAM**

SCALE: SHEET 6 OF 10 SHEETS STA. TO STA.

F.A.U. RTE.	SECTION	COUNTY	TOTAL SHEETS	SHEET NO.
7448	09-00933-01-BR	MACON	1019	726
CONTRACT NO. 95893				
ILLINOIS FED. AID PROJECT				



The Contractor shall verify the span length (center to center of poles), pole heights and top elevation of foundations prior to ordering materials.

* ϕ to ϕ Poles 91'-1 1/8"

ELEVATION
(Looking upstation)

LOADING
90 M.P.H. Wind Velocity

DESIGN STRESSES
FIELD UNITS
 $f^c = 3,500$ psi
 $f_y = 60,000$ psi

GENERAL NOTES

- DESIGN:** Current (at time of letting) AASHTO Standard Specifications for Structural Supports for Highway Signs, Luminaires and Traffic Signals (Fatigue Category II - natural wind gust only).
- CONSTRUCTION:** Current (at time of letting) Illinois Department of Transportation Standard Specifications for Road and Bridge Construction, Supplemental Specifications and Recurring Special Provisions. ("Standard Specifications") All references to "Mast Arm Assembly and Pole" are applicable, unless otherwise noted.
- WELDING:** All welds to be continuous unless otherwise shown. All welding to be done in accordance with current AWS D1.1 Structural Welding Code and the Standard Specifications.
- ANCHOR RODS:** Shall conform to ASTM F1554 Grade 105. No welding shall be permitted on rods.
- FASTENERS:** All connection bolts shall be High Strength Bolts M164, Galvanize M232 (A153), Type 3, or stainless steel heavy hex conforming to ASTM A193, Grade B8 or B8M, Class 1. U-bolts shall be produced from ASTM A276 Type 304, 304L, 316 or 316L, Condition A, cold finished, or an equivalent material acceptable to the Engineer. Nuts for stainless steel bolts shall be stainless steel conforming to ASTM A194, Grade 8 (AISI Type 304) or Grade 8F (AISI Type 303). All nuts shall be "locknuts" with nylon or steel inserts and semifinished hexagonal heads equivalent to the finished heavy hex series of the American National Standard. Washers for stainless steel bolts shall be stainless steel conforming to ASTM A240, Type 302 or 304.
- REINFORCEMENT BARS:** Reinforcement Bars designated (E) shall be epoxy coated in accordance with the Standard Specifications.
- CAMBER:** Minimum AASHTO camber = $L / 1000 + \text{dead load camber}$.
- FOUNDATIONS:** The contract unit price for Drilled Shaft Concrete Foundations shall include reinforcement bars complete in place.
- SIGNS AND SIGNALS:** See sheets 1 thru 4 of 10 for details of proposed signs and signals.

* Due to non-standard monotube, Contractor/fabricator is to required to submit shop drawings and design sealed by an IL license SE.

BILL OF MATERIAL

ITEM	UNIT	TOTAL
OVERHEAD SIGN STRUCTURE MONOTUBE SINGLE	Foot	91.1
DRILLED SHAFT CONCRETE FOUNDATIONS	Cu. Yds	9.4

SIGN STRUCTURE DATA TABLE

Structure Number	Station	ϕ to ϕ Poles	Elevation A	Dimension D	Actual Sign/Signal Area	Left Foundation			Right Foundation			Class SI Concrete (Cu. Yds.)				
						Elevation Top	Elev. Bottom	A	B	F	Elevation Top		Elev. Bottom	A	B	F
7M058LBRUR001.0	54+91.53	91'-1 1/8"	686.43	8'-7"	42 Sq Ft	682.23	656.23	14'-0"	12'-0"	26'-0"	686.50	672.50	3 1/4"	13'-8 3/4"	14'-0"	9.4

MODEL: Default
FILE NAME: p:\lsc\mcm-pw-bentley.com\AECOM_051\MA\Documents\60603202-Brush\College\900c-CAD\GIS\910_CAD\03_SHEETS\04-KASKASKIA\SIGNALS\60603202_SHT_15_07.dgn



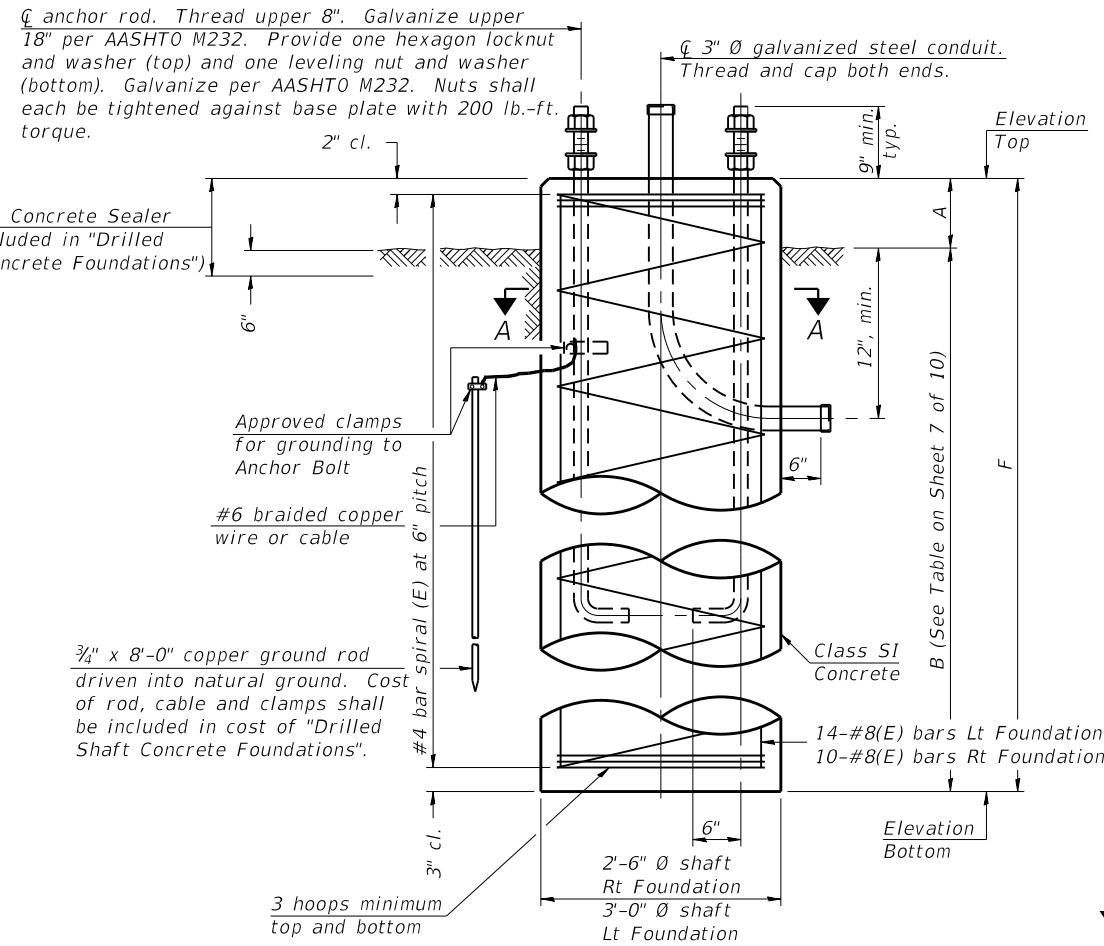
USER NAME = rjo	DESIGNED - MLC	REVISED -
PLOT SCALE = 2.0000' / in.	DRAWN - RJO	REVISED -
PLOT DATE = 4/27/2021	CHECKED - JW	REVISED -
	DATE - 4/30/2021	REVISED -

**STATE OF ILLINOIS
DEPARTMENT OF TRANSPORTATION**

MONOTUBE SIGN STRUCTURE

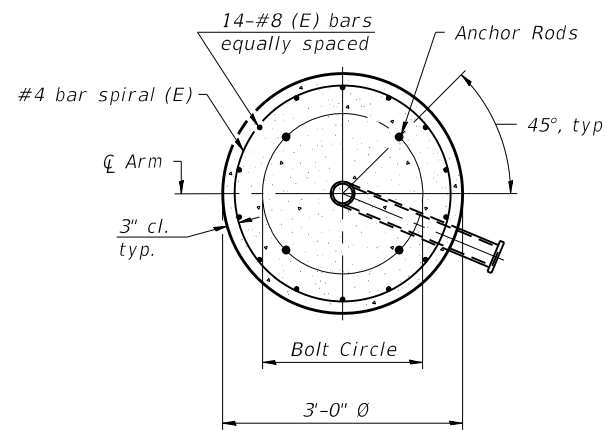
SCALE: SHEET 7 OF 10 SHEETS STA. TO STA.

F.A.U. RTE.	SECTION	COUNTY	TOTAL SHEETS	SHEET NO.
7448	09-00933-01-BR	MACON	1019	727
CONTRACT NO. 95893				
ILLINOIS FED. AID PROJECT				

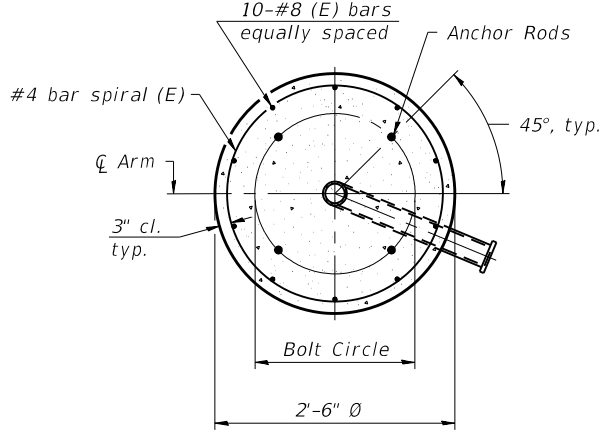


FOUNDATION DETAILS

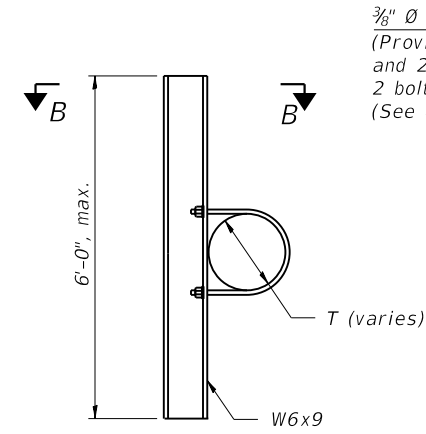
Typical, except conduit may only be required at one foundation. Provide conduit openings both poles.



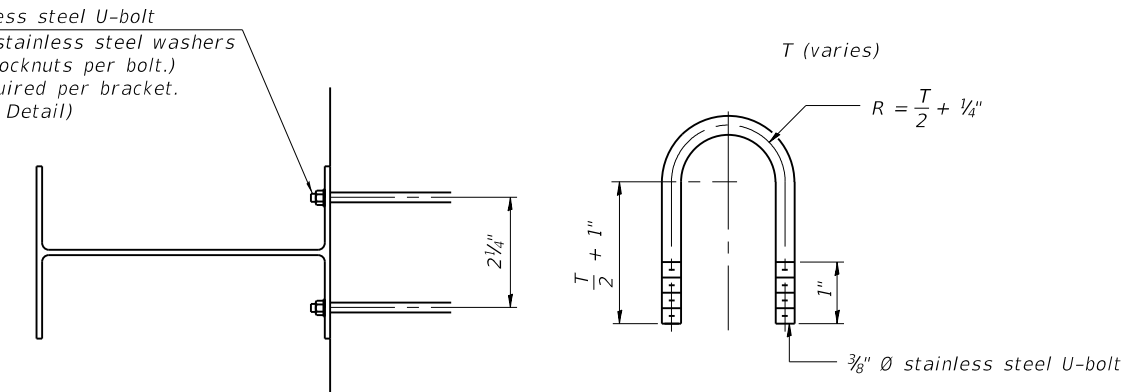
SECTION A-A
Lt Foundation



SECTION A-A
Rt Foundation



SIGN MOUNTING BRACKET
(Minimum 2 Brackets Each Sign)



FOUNDATIONS:

No sonotubes or decomposable forms shall be used below the lower conduit entrance. Permanent metal forms or other shielding may not be left in place below that elevation without the Engineer's written permission.

Concrete shall be placed monolithically, without construction joints.

Backfill shall be placed per Article 502 of Standard Specification and prior to erection of support column.

A normal surface finish followed by a Concrete Sealer application will be required on concrete surfaces above the lowest elevation 6" below finished ground line. Cost included in Drilled Shaft Concrete Foundation.

NOTE:
See Standard Plan 880006.01 Traffic Signal Mounting Details for signal head mounting details.

MODEL: Default
 FILE NAME: p:\lsc\com-hw-pw-bentley.com\AECOM_051\IA\Documents\60603202-Brush\College\006-CAD\GIS\910_CAD\03_SHEETS\04-KASKASKIA\Sigmas\60603202_SHT_15_08_10mod02.dgn



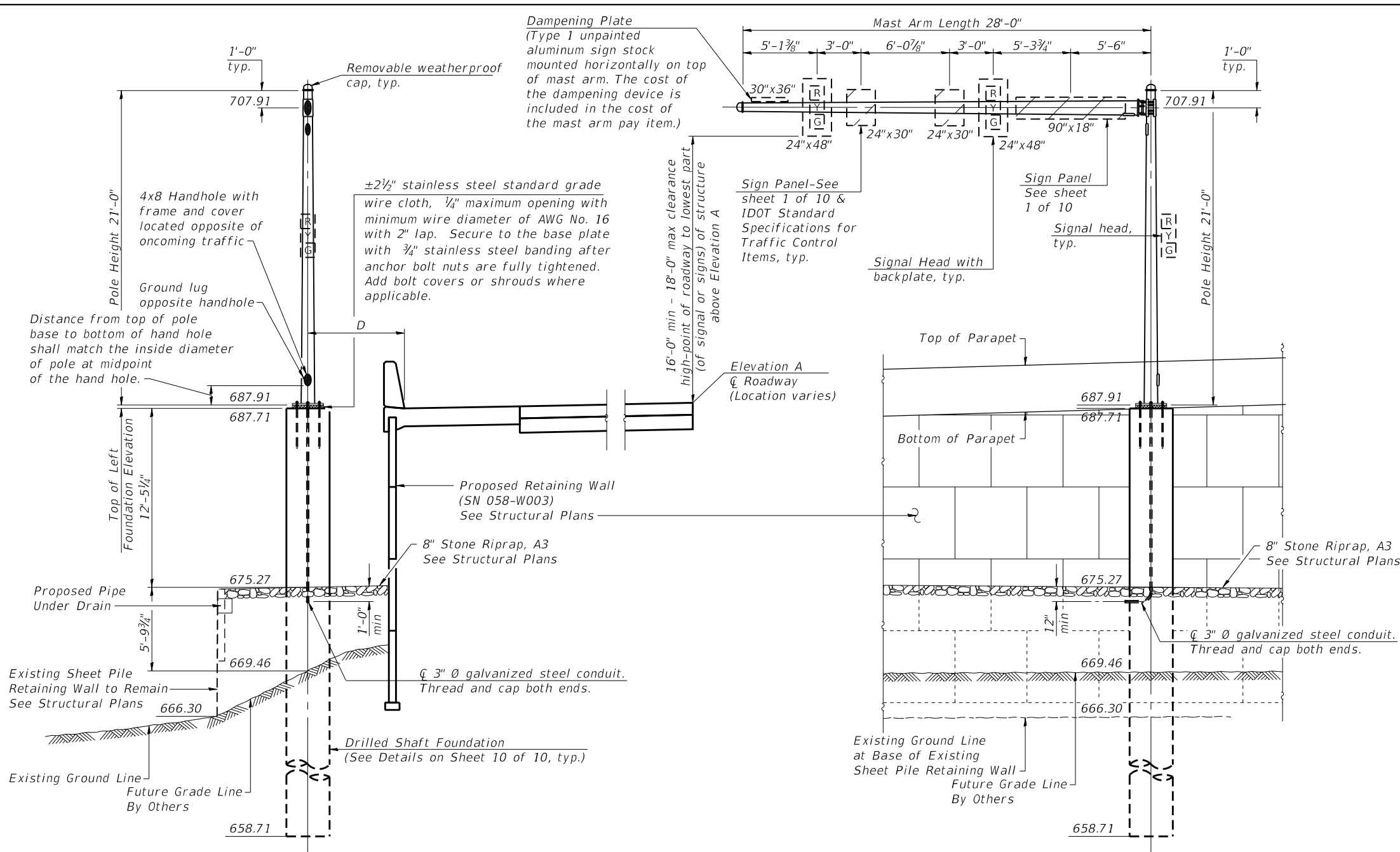
USER NAME = rjo	DESIGNED - MLC	REVISED -
PLOT SCALE = 2,000' / in.	DRAWN - RJO	REVISED -
PLOT DATE = 4/27/2021	CHECKED - JW	REVISED -
	DATE - 4/30/2021	REVISED -

STATE OF ILLINOIS
DEPARTMENT OF TRANSPORTATION

MONOTUBE SIGN STRUCTURE			
FOUNDATION AND SIGN BRACKETS			
SCALE:	SHEET 8	OF 10 SHEETS	STA. TO STA.

F.A.U. RTE.	SECTION	COUNTY	TOTAL SHEETS	SHEET NO.
7448	09-00933-01-BR	MACON	1019	728
CONTRACT NO. 95893				
ILLINOIS FED. AID PROJECT				

MODEL: Default
 FILE NAME: p:\mcom\p-w-bentley.com\AECOM_051\MA\Documents\60603202-Brush\College\006-CAD\GIS\910_CAD\03_SHEETS\04-KASKASKIA\Signal\60603202_SHT_15_09_Mast01.dgn
 USER: mcom\p-w-bentley.com\AECOM_051\MA\Documents\60603202-Brush\College\006-CAD\GIS\910_CAD\03_SHEETS\04-KASKASKIA\Signal\60603202_SHT_15_09_Mast01.dgn



ELEVATION
(Looking upstation)

ELEVATION
(Looking West)

GENERAL NOTES

DESIGN: Current (at time of letting) AASHTO Standard Specifications for Structural Supports for Highway Signs, Luminaires and Traffic Signals (Fatigue Category II - natural wind gust only).

CONSTRUCTION: Current (at time of letting) Illinois Department of Transportation Standard Specifications for Road and Bridge Construction, Supplemental Specifications and Recurring Special Provisions. ("Standard Specifications") All references to "Mast Arm Assembly and Pole" are applicable, unless otherwise noted.

WELDING: All welds to be continuous unless otherwise shown. All welding to be done in accordance with current AWS D1.1 Structural Welding Code and the Standard Specifications.

ANCHOR RODS: Shall conform to ASTM F1554 Grade 105. No welding shall be permitted on rods.

FASTENERS: All connection bolts shall be High Strength Bolts M164, Galvanize M232 (A153), Type 3, or stainless steel heavy hex conforming to ASTM A193, Grade B8 or B8M, Class 1. U-bolts shall be produced from ASTM A276 Type 304, 304L, 316 or 316L, Condition A, cold finished, or an equivalent material acceptable to the Engineer. Nuts for stainless steel bolts shall be stainless steel conforming to ASTM A194, Grade 8 (AISI Type 304) or Grade 8F (AISI Type 303). All nuts shall be "locknuts" with nylon or steel inserts and semifinished hexagonal heads equivalent to the finished heavy hex series of the American National Standard. Washers for stainless steel bolts shall be stainless steel conforming to ASTM A240, Type 302 or 304.

REINFORCEMENT BARS: Reinforcement Bars designated (E) shall be epoxy coated in accordance with the Standard Specifications.

CAMBER: Minimum AASHTO camber = $L / 1000 + \text{dead load camber}$.

FOUNDATIONS: The contract unit price for Drilled Shaft Concrete Foundations shall include reinforcement bars complete in place.

SIGNS AND SIGNALS: See sheets 1 thru 4 of 10 for details of proposed signs and signals.

SIGN SUPPORT STRUCTURES: Sign support structures may be subject to damaging vibrations and oscillations when sign panels are not in place during erection or maintenance of the structure. To avoid these vibrations and oscillations, consideration should be given to attaching temporary blank sign panels to the structure.

Cost of Mast Arm and Pole paid for under pay item 87700180 - STEEL MAST ARM ASSEMBLY AND POLE, 28 FT. See signal schedule on sheet 2 of 10 and Traffic Signal Quantities on sheet 1 of 10.

LOADING
90 M.P.H. Wind Velocity

DESIGN STRESSES

FIELD UNITS
f'c = 3,500 psi
fy = 60,000 psi

SIGN STRUCTURE DATA TABLE

Structure Number	Station	Elevation A	Dimension D	Actual Sign/Signal Area	Foundation			Class SI Concrete (Cu. Yds.)		
					Elevation Top	Elev. Bottom	A			
7C058LBRUL0001.0	55+70.00	688.78	6'-8 1/2"	38 Sq Ft	687.71	658.71	18'-3"	10'-9"	29'-0"	5.3

BILL OF MATERIAL

ITEM	UNIT	TOTAL
DRILLED SHAFT CONCRETE FOUNDATIONS	Cu. Yds.	5.3



USER NAME = rjo	DESIGNED - MLC	REVISED -
PLOT SCALE = 2,000' / in.	DRAWN - RJO	REVISED -
PLOT DATE = 4/27/2021	CHECKED - JW	REVISED -
	DATE - 4/30/2021	REVISED -

STATE OF ILLINOIS
DEPARTMENT OF TRANSPORTATION

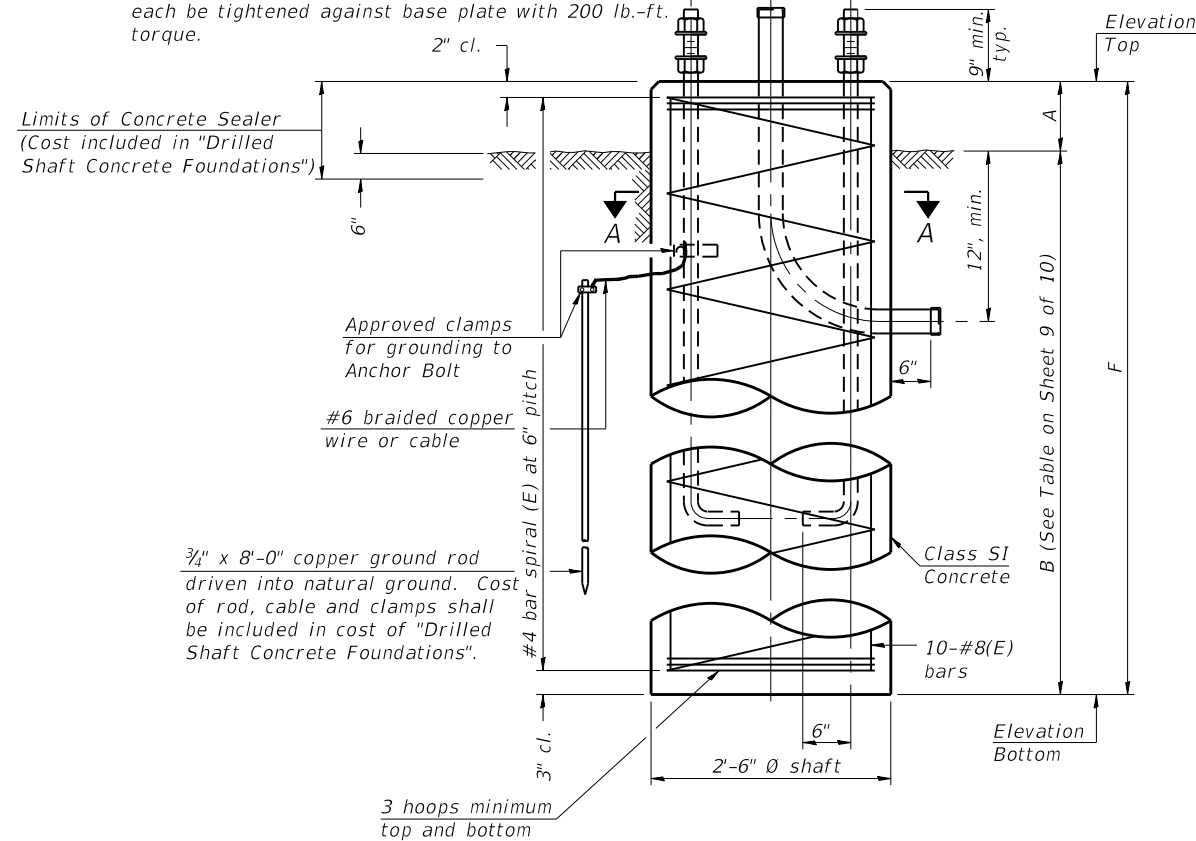
MA-1 STEEL MAST ARM ASSEMBLY & POLE 28
FOUNDATION PLAN

SCALE: SHEET 9 OF 10 SHEETS STA. TO STA.

F.A.U. RTE.	SECTION	COUNTY	TOTAL SHEETS	SHEET NO.
7448	09-00933-01-BR	MACON	1019	729
CONTRACT NO. 95893				
ILLINOIS FED. AID PROJECT				

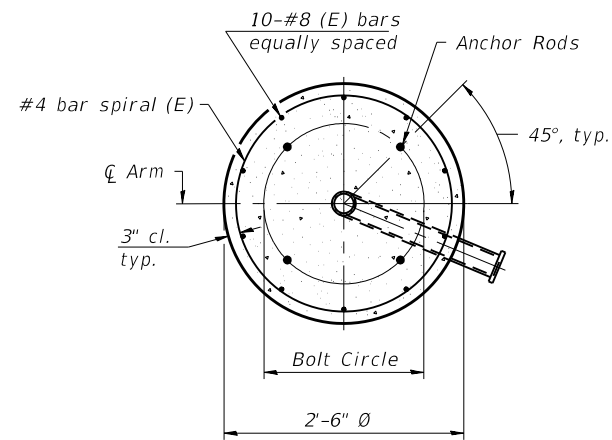
Ø anchor rod. Thread upper 8". Galvanize upper 18" per AASHTO M232. Provide one hexagon locknut and washer (top) and one leveling nut and washer (bottom). Galvanize per AASHTO M232. Nuts shall each be tightened against base plate with 200 lb.-ft. torque.

Ø 3" Ø galvanized steel conduit. Thread and cap both ends.



FOUNDATION DETAILS

Typical, except conduit may only be required at one foundation. Provide conduit openings both poles.



SECTION A-A

FOUNDATIONS:

No sonotubes or decomposable forms shall be used below the lower conduit entrance. Permanent metal forms or other shielding may not be left in place below that elevation without the Engineer's written permission. Concrete shall be placed monolithically, without construction joints. Backfill shall be placed per Article 502 of Standard Specification and prior to erection of support column. A normal surface finish followed by a Concrete Sealer application will be required on concrete surfaces above the lowest elevation 6" below finished ground line. Cost included in Drilled Shaft Concrete Foundation.

NOTE:

See Standard Plan 880006.01 Traffic Signal Mounting Details for signal head mounting details. See sheet 3 of 10 for anchor rod diameter and bolt circle dimension.

MODEL: Default
FILE NAME: p:\metcom\hp-pw\benley.com\AECOM_0516_MA\Documents\60603202-Brush\College\006-CAD\GIS\910_CAD\01_SHEETS\04-KASKASKIA\Sigmas\60603202_SHT_15_10_Mast02.dgn



USER NAME = rjo	DESIGNED - MLC	REVISED -
PLOT SCALE = 2,000' / in.	DRAWN - RJO	REVISED -
PLOT DATE = 4/27/2021	CHECKED - JW	REVISED -
	DATE - 4/30/2021	REVISED -

**STATE OF ILLINOIS
DEPARTMENT OF TRANSPORTATION**

**MA-1 STEEL MAST ARM ASSEMBLY & POLE 28
FOUNDATION PLAN**

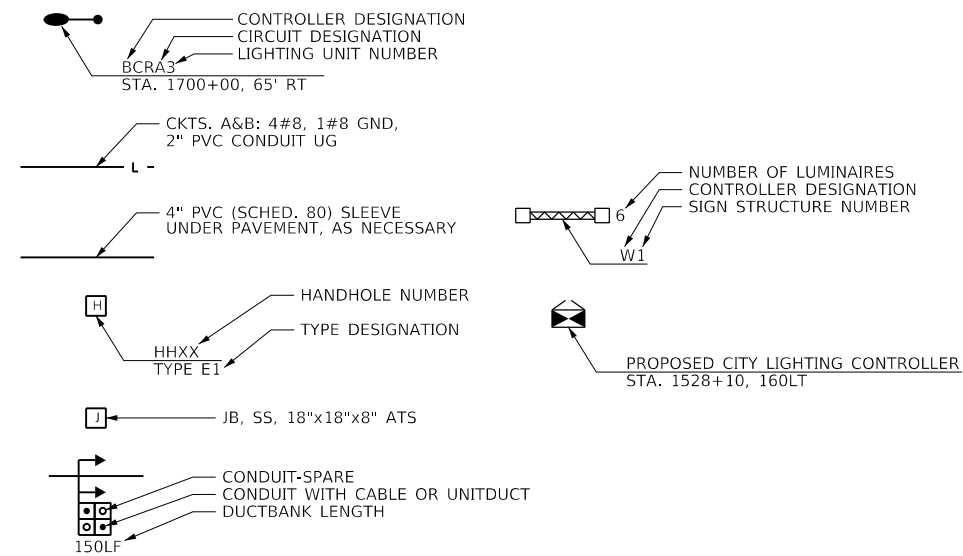
SCALE: SHEET 10 OF 10 SHEETS STA. TO STA.

F.A.U. RTE.	SECTION	COUNTY	TOTAL SHEETS	SHEET NO.
7448	09-00933-01-BR	MACON	1019	730
CONTRACT NO. 95893				
ILLINOIS FED. AID PROJECT				

ELECTRICAL SYMBOLS FOR PROPOSED WORK

	PROPOSED LIGHTING UNIT 40' M.H., 12' MA, LED LUMINAIRE, 240V ALUMINUM POLE		LIGHTED SIGN STRUCTURE-CANTILEVER TYPE (NUMBER OF FLUORESCENT FIXTURES AS INDICATED - TYP.)
	PROPOSED COMBINATION LIGHTING UNIT 45' M.H., 1 OR 2 LIGHTING 15' MA, LED LUMINAIRE, 240V, MOUNTED ON TRAFFIC SIGNAL MAST ARM ASSEMBLY AND POLE		LIGHTED SIGN STRUCTURE-TRUSS TYPE
			LIGHTED SIGN STRUCTURE-BRIDGE MOUNT TYPE
	UNDERPASS LUMINAIRE: LED, TYPE AS SHOWN ON PLANS (PRIMARY DISTRIBUTION PATTERN DIRECTION AS INDICATED BY ARROW)		DYNAMIC MESSAGE SIGN
	MANHOLE		FLASHING BEACON SIGN
	ELECTRIC HANDHOLE: TYPE AS INDICATED		CLOSED CIRCUIT TELEVISION CAMERA
	TYPE E1: PRECAST CONCRETE, 21.5"x21.5"x30", IDOT STANDARD 814001		MICROWAVE DETECTOR
	TYPE E2: PRECAST CONCRETE-HEAVY DUTY, 22"x22"x30", IDOT STANDARD 814001		DETECTOR LOOP
	TYPE C1: COMMUNICATIONS VAULT, 49 3/8"x32 1/2"x57"		PROPOSED LIGHTING CONTROLLER CABINET 100A, 120/240V, 1-PH, 3 WIRE CITY MAINTAINED
	TYPE S1: PRECAST CONCRETE-HEAVY DUTY, 22"x22"x36"		AERIAL CABLE
	TYPE S2: PRECAST CONCRETE-HEAVY DUTY SPECIAL, 30"x30"x36"		FLEXIBLE CONDUIT
	DOUBLE HANDHOLE		RACEWAY EMBEDDED IN STRUCTURE
	JUNCTION BOX: TYPE AND SIZE AS INDICATED ON PLANS		EXPOSED CONDUIT
	PULL BOX: TYPE AND SIZE AS INDICATED ON PLANS		RACEWAY OR DIRECT BURIAL CABLE UNDERGROUND WITHOUT ENCASEMENT
	TELEPHONE CONNECTION		RIGID GALVANIZED STEEL CONDUIT SLEEVE, INSTALLED BELOW PAVEMENT
	PAD MOUNTED ELECTRIC UTILITY TRANSFORMER		UNDERGROUND REINFORCED CONCRETE ENCASED CONDUIT DUCTBANK, UNLESS NOTED OTHERWISE. (NUMBER, TYPE, AND SIZE OF DUCTS AS SHOWN)
	ELECTRIC UTILITY POLE		CONDUIT TURNED DOWN
	GROUND ROD		CONDUIT TURNED UP
	MAIN SERVICE FUSED DISCONNECT SWITCH (RATING AS INDICATED ON THE PLANS)		
	PHOTOCELL		

GENERAL ELECTRICAL CALLOUTS



ABBREVIATIONS	
ABBREVIATION	DESCRIPTION
AC	ALTERNATING CURRENT
A/C	AERIAL CABLE
A.D.A.	AMERICANS WITH DISABILITIES ACT
AFG	ABOVE FINISHED GRADE
A/R	AERIAL CABLE TO BE REMOVED
ATS	ATTACHED TO STRUCTURE
B	BASELINE
BOE	IDOT BUREAU OF ELECTRICITY
CB	CIRCUIT BREAKER
CKT	CIRCUIT
C	CENTERLINE
CLC	COMBINATION LIGHTING CONTROLLER
CM	CENTIMETER
CNC	COILABLE NONMETALLIC CONDUIT
CP	CONTROL PANEL
CT	CURRENT TRANSFORMER
DA	DAVIT ARM
DC	DIRECT CURRENT
DIA	DIAMETER
DP	DISTRIBUTION PANEL
E	EXISTING UNIT TO REMAIN
ECA	ELECTRIC CABLE ASSEMBLY
EM	EXISTING UNIT TO BE MODIFIED (e.g. NEW LUMINAIRE, BALLAST OR MAST ARM)
EOP	EDGE OF PAVEMENT
ER	EXISTING RELOCATED UNIT IN PROPOSED LOCATION
ET	EXISTING TEMPORARY UNIT TO REMAIN
ETR	EXISTING TEMPORARY RELOCATED UNIT
FT	FEET OR FOOT
FND BW	FOUNDATION BARRIER WALL
FND BW OS	FOUNDATION BARRIER WALL OFFSET
FND CON	FOUNDATION CONCRETE
FND CON OS	FOUNDATION CONCRETE OFFSET
FND MET	FOUNDATION METAL
FND PW	FOUNDATION PARAPET WALL
FU	FUSE
GFCI	GROUND FAULT CIRCUIT INTERRUPTER
GND	GROUND
HID	HIGH INTENSITY DISCHARGE
HPS	HIGH PRESSURE SODIUM
IDOT	ILLINOIS DEPARTMENT OF TRANSPORTATION
JB	JUNCTION BOX
KVA	KILOVOLT-AMPERE
KW	KILOWATTS
LT	LEFT
LTFMC	LIQUIDTIGHT FLEXIBLE METAL CONDUIT
LTG	LIGHTING
M	METER
MA	MAST ARM
MM	MILLIMETER
MTG HT	MOUNTING HEIGHT
MW	MESSANGER WIRE
NO. #	NUMBER
P	PROPOSED
PB	PUSH BUTTON
PH, ∅	PHASE
PNL	PANEL
PVC	POLYVINYL CHLORIDE
PVCC RGC	PVC COATED RIGID GALVANIZED STEEL CONDUIT
PT	POTENTIAL TRANSFORMER
R	EXISTING UNIT TO BE REMOVED (OWNER SALVAGED U.N.O.)
RR	EXISTING UNIT TO BE REMOVED AND RELOCATED
RECP	RECEPTACLE
RGC	RIGID GALVANIZED STEEL CONDUIT
RT	RIGHT
SEL SW	SELECTOR SWITCH
SPARE	SPARE
SPACE	SPACE
SS	STAINLESS STEEL
STA	STATION
STRUCT	STRUCTURE
T	TEMPORARY LIGHTING UNIT
TMP	TEMPORARY
TR	TEMPORARY UNIT TO BE REMOVED, SALVAGE EQUIPMENT AS SPECIFIED
TRR	TEMPORARY UNIT TO BE REMOVED AND RELOCATED
TUR	TEMPORARY UNIT ON UTILITY POLE TO BE REMOVED
TYP.	TYPICAL
UD	UNIT DUCT
UG	UNDERGROUND
U.N.O.	UNLESS NOTED OTHERWISE
WP	WOOD POLE
XFMR	TRANSFORMER

GENERAL NOTES:

- THE CONTRACTOR SHALL VERIFY ALL OF THE INFORMATION SHOWN ON THE CONTRACT DRAWINGS, WHICH WOULD AFFECT THE WORK UNDER THIS CONTRACT.
- IT IS THE RESPONSIBILITY OF THE CONTRACTOR TO ASCERTAIN EXISTING FIELD CONDITIONS BEFORE BIDDING ON THIS PROJECT, SPECIFICALLY AS THEY RELATE TO LUMP SUM ITEMS AND UNIT PRICE ITEMS.
- ALL NEW CONDUIT, UNIT DUCTS, DIRECT BURIAL CABLE, AND APPURTENANCES ARE INDICATED DIAGRAMMATICALLY ON THE DRAWINGS. THE ACTUAL LOCATIONS IN THE FIELD SHALL MEET WITH APPROVAL OF THE ENGINEER.
- THE ELECTRICAL WORK SHALL BE PERFORMED IN ACCORDANCE WITH THE IDOT STANDARD SPECIFICATIONS FOR ROAD AND BRIDGE CONSTRUCTION AND ASSOCIATED SUPPLEMENTAL CONDITIONS.
- THE SCALE SHOWN ON PLAN DRAWINGS APPLIES ONLY TO THE FULL SIZE PLANS AND NOT TO REDUCED SIZE PLANS.
- THE CONTRACTOR SHALL FURNISH AND INSTALL LUMINAIRES IN ACCORDANCE WITH THE SUPPLIER'S RECOMMENDATIONS AND IN ACCORDANCE WITH THE SPECIFICATIONS. THE COST OF THIS WORK AND MATERIAL SHALL BE INCLUDED IN THE APPLICABLE LUMINAIRE PAY ITEM. SEPARATE PAYMENT WILL NOT BE MADE.
- ALL LUMINAIRES SHALL BE ORIENTED WITH THE OPTICS PERPENDICULAR TO THE ROADWAY UNLESS OTHERWISE INDICATED OR DIRECTED BY THE ENGINEER. THIS WORK SHALL BE CONSIDERED INCLUDED IN THE APPLICABLE LUMINAIRE PAY ITEMS. SEPARATE PAYMENT WILL NOT BE MADE.
- ALL LIGHTING EQUIPMENT REMOVED AS PART OF THIS CONTRACT SHALL REMAIN THE PROPERTY OF THE CITY AND SHALL BE DELIVERED TO THE STATE MAINTENANCE FACILITY.
- CONDUITS AND UNIT DUCTS SHALL BE INSTALLED AT A MINIMUM 760 MM (30 INCHES) DEPTH BELOW GRADE AND POSITIONED IN THE FIELD TO AVOID CONFLICT WITH ROADWAY UNDER DRAINS AND OTHER EXISTING AND PROPOSED UTILITIES. THE CONTRACTOR SHALL INCREASE DEPTH OF UNIT DUCT AND CONDUIT AS REQUIRED AT NO ADDITIONAL COST TO THE STATE/CITY. THE CONTRACTOR SHALL COORDINATE RACEWAY DEPTH WITH THE ELECTRICAL DETAILS AND THE ENGINEER.
- WHERE THE CONTRACTOR'S EXCAVATION MEETS AN OBSTRUCTION, THE CONTRACTOR SHALL NOTIFY THE ENGINEER FOR DIRECTION IN WRITING PRIOR TO EXCAVATION. THE CONTRACTOR SHALL RESTORE ANY DAMAGE TO EXISTING SYSTEMS OR UTILITIES AND REMOVE EXISTING OBSTRUCTIONS AND FOUNDATIONS TO THE SATISFACTION OF THE ENGINEER. THIS WORK SHALL BE CONSIDERED INCIDENTAL TO THE APPROPRIATE PAY ITEM.
- WHEREVER THE TEMPORARY AERIAL CABLE IS REQUIRED TO CROSS AN EXISTING AND/OR PROPOSED ROADWAY, THE CONTRACTOR SHALL MAINTAIN A MINIMUM OF 6 METER (20 FEET) OF VERTICAL CLEARANCE OVER THE ROADWAY AT ALL TIMES.
- THE POLES SHALL BE KEPT OUT OF DITCH AREA AND PLACED CLOSER TO THE ROADWAY, IF NEEDED, TO GET OUT OF FLOW LINE.
- COORDINATE ALL WORK WITH OTHER DISCIPLINES AND CONTRACTORS INCLUDING TRAFFIC SIGNAL WORK. INSTALL LIGHT FIXTURES AND LIGHTING MAST ARMS ON COMBINATION TRAFFIC AND LIGHTING POLES ACCORDING TO IDOT STANDARDS AND SPECIFICATIONS.
- ALL MATERIALS, EQUIPMENT AND LABOR NEEDED TO INSTALL AND CONNECT THE SERVICE FROM THE UTILITY TRANSFORMER (GROUND OR POLE MOUNTED) OR SERVICE PEDESTAL TO THE LIGHTING CONTROLLER CABINET SHALL BE INCLUDED UNDER PAY ITEM NO. 80400100 - ELECTRIC SERVICE INSTALLATION. WORK SHALL INCLUDE THE SERVICE WEATHER HEAD, RISERS, TRANSFORMER CONCRETE BASE (IF REQUIRED), CABLE, CONDUIT AND TRENCHING FOR THE CONDUIT AS SHOWN ON THE PLANS OR AS NEEDED TO COMPLETE THE INSTALLATION. ALL OTHER HARDWARE, CONNECTIONS, SPLICING, AND WIRING TO THE NEW LIGHTING CONTROLLER ARE ALSO INCLUDED UNDER THE SAME PAY ITEM. THE ELECTRIC SERVICE CABLE AND CONDUIT SIZE MUST BE AS SHOWN ON THE PLANS OR REQUIRED BY CODE. THE CONTRACTOR WILL BE REIMBURSED FOR ANY PAYMENT MADE DIRECTLY TO THE ELECTRIC UTILITY FOR ITS WORK UNDER A SEPARATE PAY ITEM.
- THE CONTRACTOR MUST OBTAIN ALL NECESSARY AND REQUIRED PERMITS PRIOR TO COMMENCING WORK AND MUST COMPLY WITH ALL STATE, COUNTY AND CITY RULES AND REGULATIONS.
- THE CONTRACTOR MUST COORDINATE ALL CONSTRUCTION ACTIVITIES WITH THE UTILITIES BEFORE STARTING WORK. COORDINATE NEW ELECTRIC SERVICES WITH AMEREN-ILLINOIS AS SOON AS NOTICE TO PROCEED IS GIVEN IN ORDER TO AVOID DELAYS IN OBTAINING THE ELECTRIC SERVICES.
- CONTRACTOR MUST VERIFY ALL LIGHT POLE LOCATIONS PROPOSED TO BE INSTALLED ON STRUCTURES PRIOR TO THE ORDERING OF MATERIALS FOR INSTALLATION OF LIGHT POLES ON WALLS, PARAPETS AND OTHER STRUCTURES. COORDINATE ALL LIGHTING AND ELECTRICAL WORK WITH STRUCTURAL PLANS AND DETAILS. REFER ALL CONFLICTS AND ISSUES TO THE CONSTRUCTION MANAGER FOR RESOLUTION BEFORE ACQUIRING ANY MATERIALS OR PROCEEDING WITH INSTALLATION OF CONCRETE FOR FOUNDATIONS.

MODEL: Default
FILE NAME: p:\aecom\m-pw\hendley.com\AECOM_0516_MIA\Documents\60603202-Brush_College\000-CAD_GIS\9_10_CAD\03_SHEETS\01_AECOM\Roadway\60603202_SHT_Lighting_01_Symbols



USER NAME = myersc	DESIGNED - MAE	REVISED -
PLOT SCALE = 40.0000 ' / in.	DRAWN - CAM	REVISED -
PLOT DATE = 10/29/2021	CHECKED - WDS	REVISED -
	DATE - 10/22/2021	REVISED -

**STATE OF ILLINOIS
DEPARTMENT OF TRANSPORTATION**

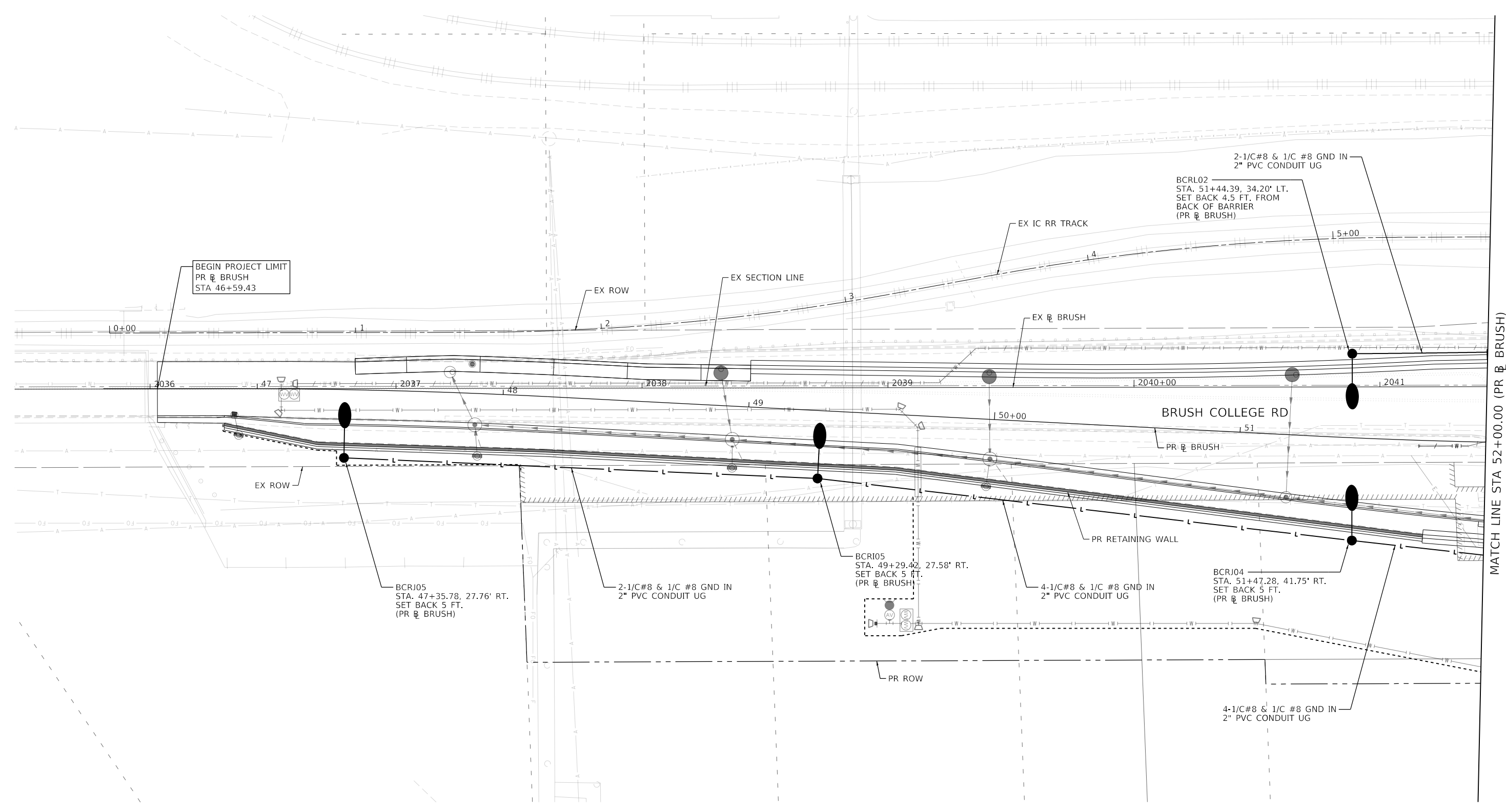
**PROPOSED LIGHTING PLAN
ELECTRICAL SYMBOLS AND ABBREVIATIONS**

SCALE: N.T.S SHEET 1 OF 11 SHEETS STA. TO STA.

F.A.U. RTE.	SECTION	COUNTY	TOTAL SHEETS	SHEET NO.
7448	09-00933-01-BR	MACON	1019	731
CONTRACT NO. 95893				
ILLINOIS FED. AID PROJECT				

RL-01

MODEL: Default
 FILE NAME: p:\aecom\m-pw\benley.com\AECOM_0510_M\Documents\60603202-Brush_College\00-CAD_GIS\10_CAD\03_SHEETS\10_AECOM\Roadway\60603202_SHT_Lighting_07_Brush-01



MATCH LINE STA 52+00.00 (PR BRUSH)



USER NAME = myersc
 PLOT SCALE = 40.0000 ' / in.
 PLOT DATE = 4/27/2021

DESIGNED - MAE
 DRAWN - CAM
 CHECKED - WDS
 DATE - 4/30/2021

REVISED -
 REVISED -
 REVISED -
 REVISED -

STATE OF ILLINOIS
 DEPARTMENT OF TRANSPORTATION

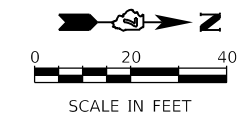
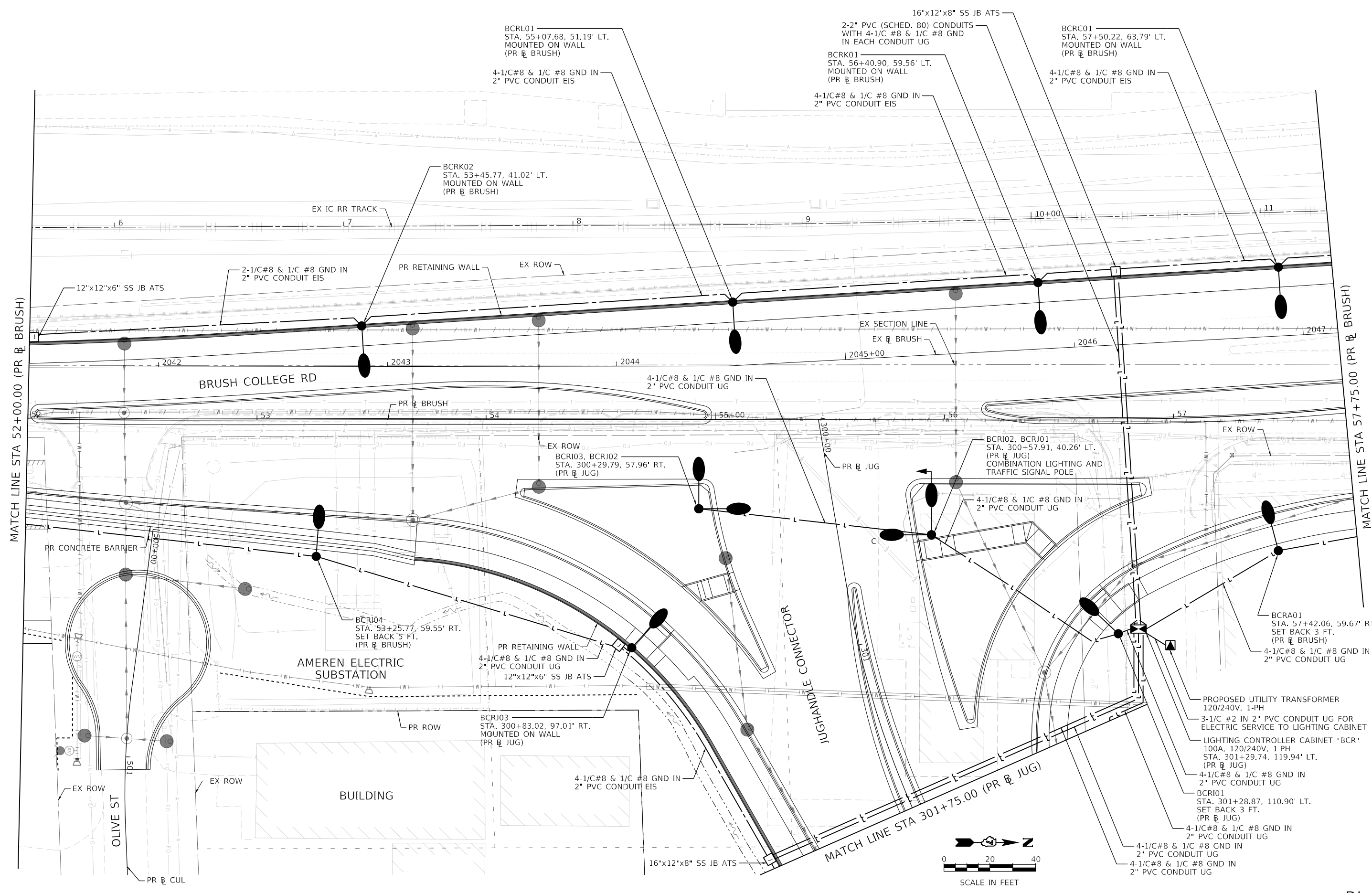
BRUSH COLLEGE ROAD
 PROPOSED LIGHTING PLAN

SCALE: 1"=20' SHEET 2 OF 11 SHEETS STA. 46+59.43 TO STA. 52+00.00

F.A.U. RTE.	SECTION	COUNTY	TOTAL SHEETS	SHEET NO.
7448	09-00933-01-BR	MACON	1019	732
CONTRACT NO. 95893				
ILLINOIS FED. AID PROJECT				

RL-02

MODEL: Default
 FILE NAME: p:\aecom\m-pw-bentley.com\AECOM_0516_MA\Documents\60603202-Brush_College\00-CAD_GIS\910_CAD\03_SHEETS\01_LA\AECOM\Roadway\60603202_SHT_Lighting_03_Brush-02



USER NAME = myersc	DESIGNED - MAE	REVISED -
PLOT SCALE = 40.0000' / in.	DRAWN - CAM	REVISED -
PLOT DATE = 4/27/2021	CHECKED - WDS	REVISED -
	DATE - 4/30/2021	REVISED -

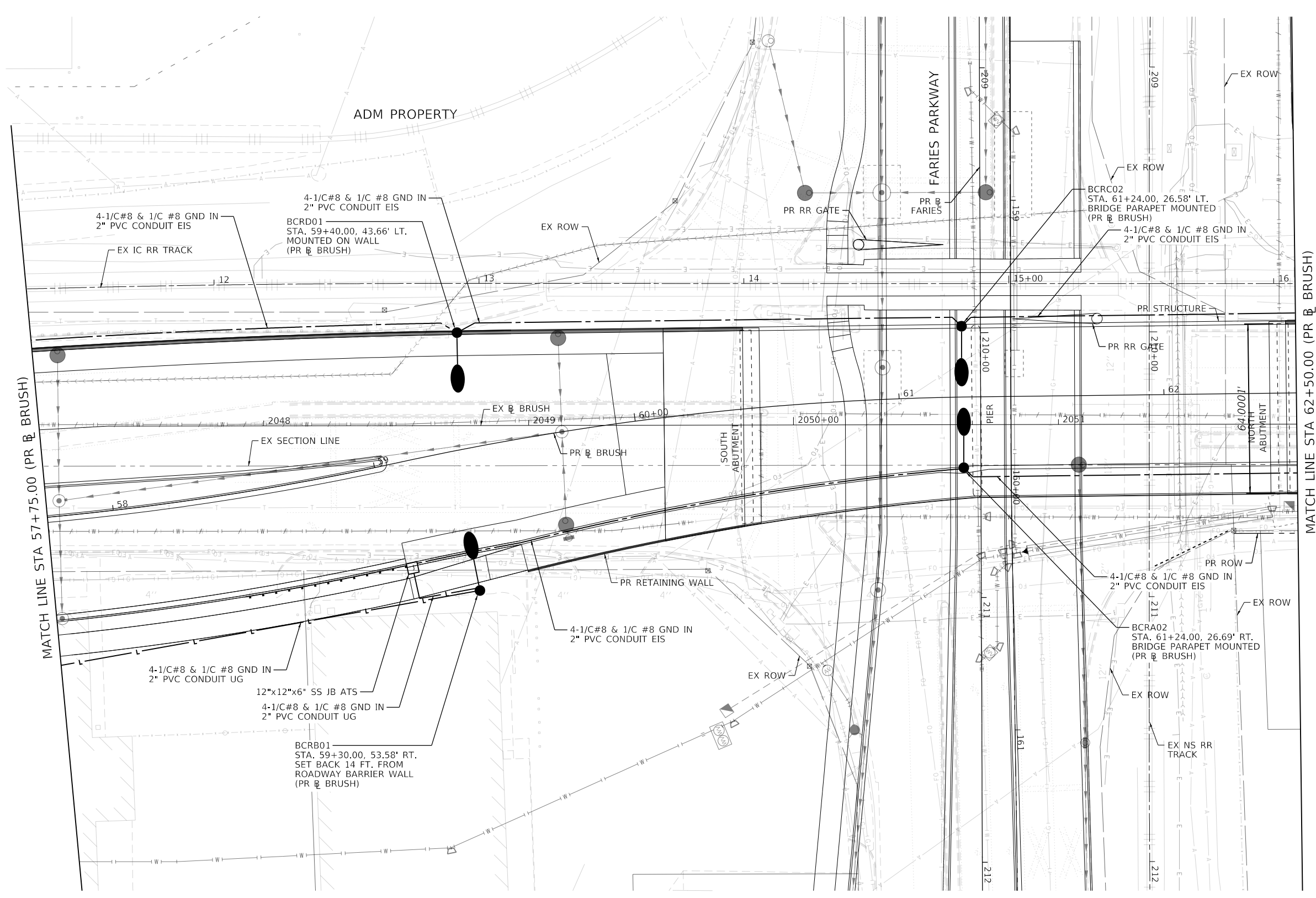
**STATE OF ILLINOIS
 DEPARTMENT OF TRANSPORTATION**

BRUSH COLLEGE ROAD PROPOSED LIGHTING PLAN	
SCALE: 1"=20'	SHEET 3 OF 11 SHEETS
STA. 52+00.00	TO STA. 57+75.00

F.A.U. RTE.	SECTION	COUNTY	TOTAL SHEETS	SHEET NO.
7448	09-00933-01-BR	MACON	1019	733
CONTRACT NO. 95893				
ILLINOIS FED. AID PROJECT				

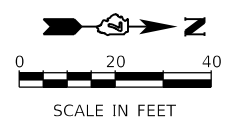
RL-03

MODEL: Default
 FILE NAME: p:\aecom\m-pw\benley.com\AECOM_0516_MA\Documents\60603202-Brush_College\00-CAD_GIS\910_CAD\03_SHEETS\10_LA\AECOM\Roadway\60603202_SHT_Lighting_01_Brush-03



MATCH LINE STA 57+75.00 (PR BRUSH)

MATCH LINE STA 62+50.00 (PR BRUSH)



USER NAME = myersc	DESIGNED - MAE	REVISED -
PLOT SCALE = 40.0000' / in.	DRAWN - CAM	REVISED -
PLOT DATE = 4/27/2021	CHECKED - WDS	REVISED -
	DATE - 4/30/2021	REVISED -

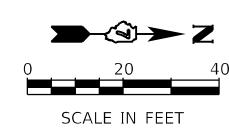
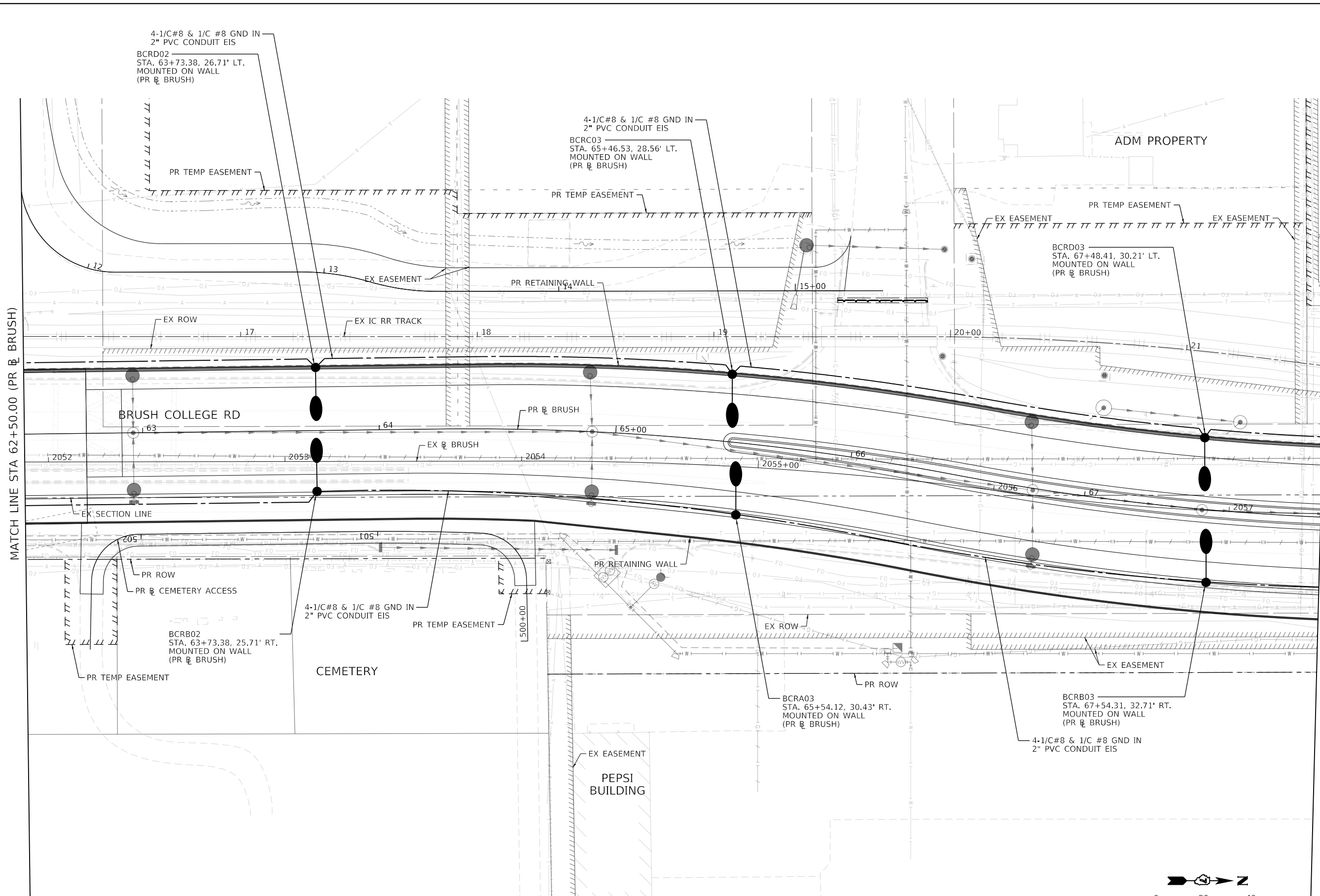
**STATE OF ILLINOIS
 DEPARTMENT OF TRANSPORTATION**

BRUSH COLLEGE ROAD PROPOSED LIGHTING PLAN	
SCALE: 1"=20'	SHEET 4 OF 11 SHEETS
STA. 57+75.00	TO STA. 62+50.00

F.A.U. RTE. 7448	SECTION 09-00933-01-BR	COUNTY MACON	TOTAL SHEETS 1019	SHEET NO. 734
CONTRACT NO. 95893				
ILLINOIS FED. AID PROJECT				

RL-04

MODEL: Default
 FILE NAME: p:\aecom\m-pw\hennley.com\AECOM\0510_MIA\Documents\60603202-Brush_College\00-CAD GIS\010_CAD\013_SHEETS\01_LA\AECOM\Roadway\60603202_SHT_Lighting_05_Brush-04



USER NAME = myersc
 PLOT SCALE = 40.0000' / in.
 PLOT DATE = 10/29/2021

DESIGNED - MAE
 DRAWN - CAM
 CHECKED - WDS
 DATE - 10/22/2021

REVISED -
 REVISED -
 REVISED -
 REVISED -

STATE OF ILLINOIS
 DEPARTMENT OF TRANSPORTATION

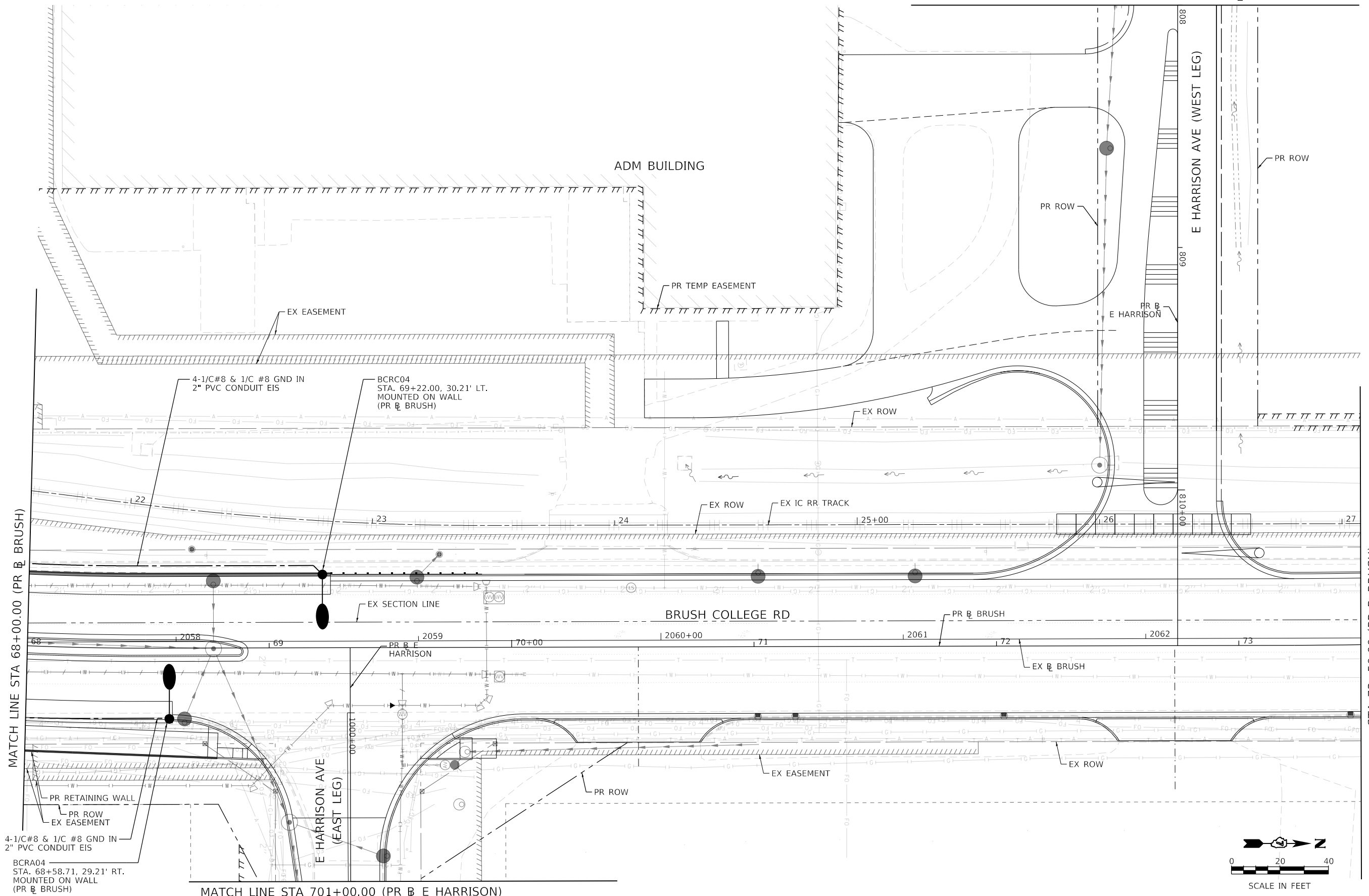
BRUSH COLLEGE ROAD
 PROPOSED LIGHTING PLAN

SCALE: 1"=20' SHEET 5 OF 11 SHEETS STA. 62+50.00 TO STA. 68+00.00

F.A.U. RTE.	SECTION	COUNTY	TOTAL SHEETS	SHEET NO.
7448	09-00933-01-BR	MACON	1019	735
CONTRACT NO. 95893				
		ILLINOIS FED. AID PROJECT		

RL-05

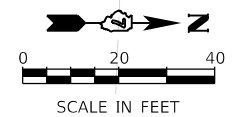
MATCH LINE STA 808+00.00 (PR E HARRISON)



MATCH LINE STA 68+00.00 (PR E BRUSH)

STA 73+50.00 (PR E BRUSH)

MATCH LINE STA 701+00.00 (PR E HARRISON)



MODEL: Default
FILE NAME: p:\aecom\m-pw\benley.com\AECOM_051\A\Documents\60603202-Brush_College\00-CAD_GIS\010_CAD\013_SHEETS\01_L\AECOM\Roadway\60603202_SHT_Lighting_06_Brush-05



USER NAME = myersc
PLOT SCALE = 40.0000 ' / in.
PLOT DATE = 4/27/2021

DESIGNED - MAE
DRAWN - CAM
CHECKED - WDS
DATE - 4/30/2021

REVISED -
REVISED -
REVISED -
REVISED -

STATE OF ILLINOIS
DEPARTMENT OF TRANSPORTATION

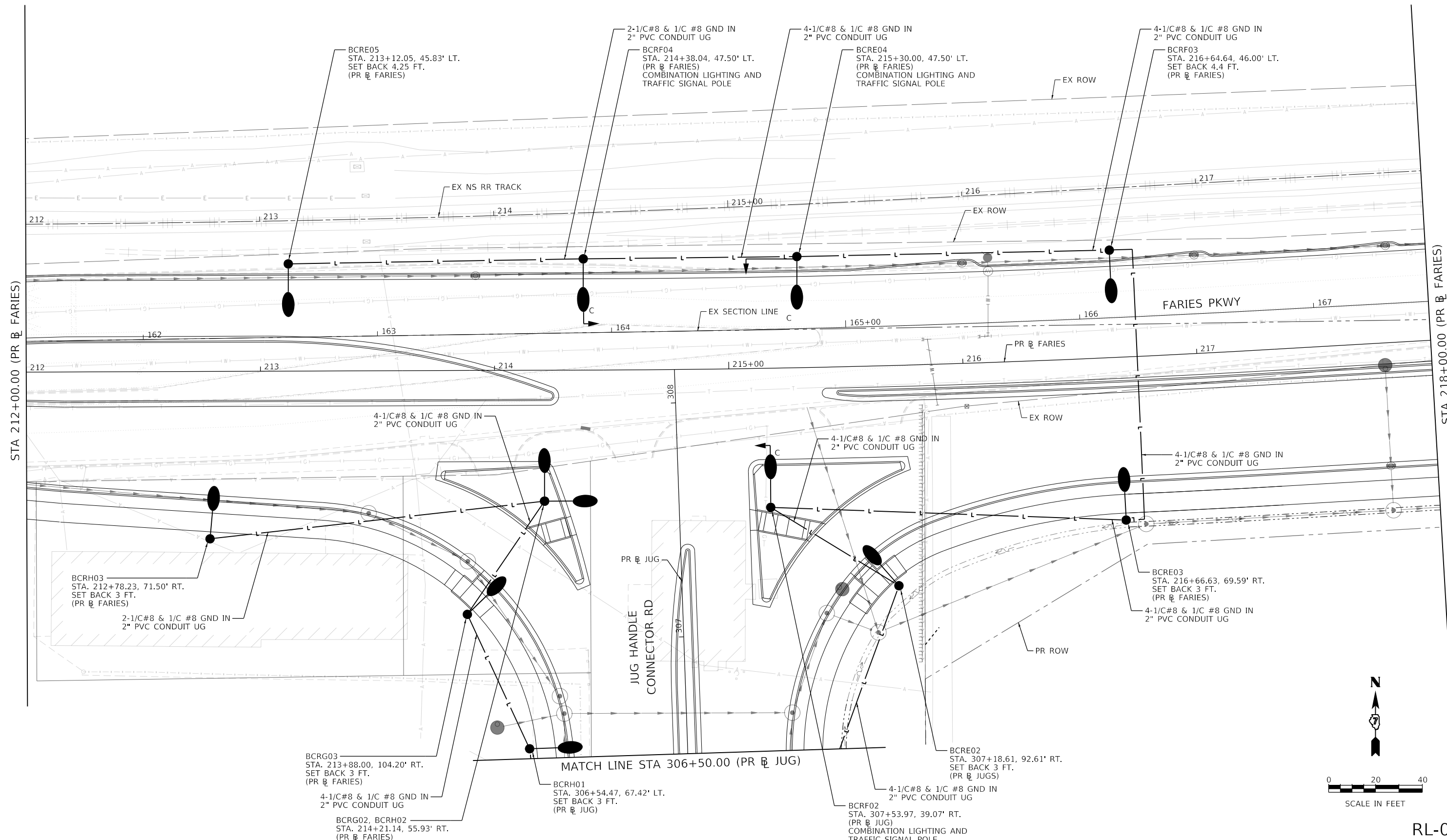
BRUSH COLLEGE ROAD
PROPOSED LIGHTING PLAN

SCALE: 1"=20' SHEET 6 OF 11 SHEETS STA. 68+00.00 TO STA. 73+50.00

F.A.U. RTE.	SECTION	COUNTY	TOTAL SHEETS	SHEET NO.
7448	09-00933-01-BR	MACON	1019	736
CONTRACT NO. 95893				
ILLINOIS FED. AID PROJECT				

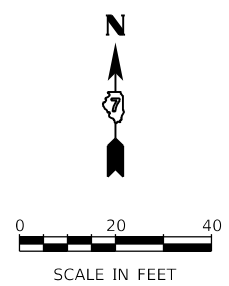
RL-06

MODEL: Default
 FILE NAME: p:\aecom\m-pw\benley.com\AECOM_0516_MA\Documents\60603202-Brush_College\006-CAD GIS\910_CAD\03_SHEETS\01_LA\AECOM\Roadway\60603202_SHT_Lighting_07_Farley-03



STA 218+00.00 (PR FARIES)

STA 212+00.00 (PR FARIES)



RL-07



USER NAME = myersc	DESIGNED - MAE	REVISED -
PLOT SCALE = 40.0000' / in.	DRAWN - CAM	REVISED -
PLOT DATE = 4/27/2021	CHECKED - WDS	REVISED -
	DATE - 4/30/2021	REVISED -

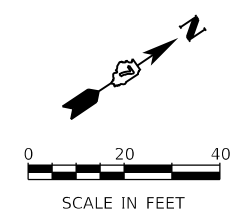
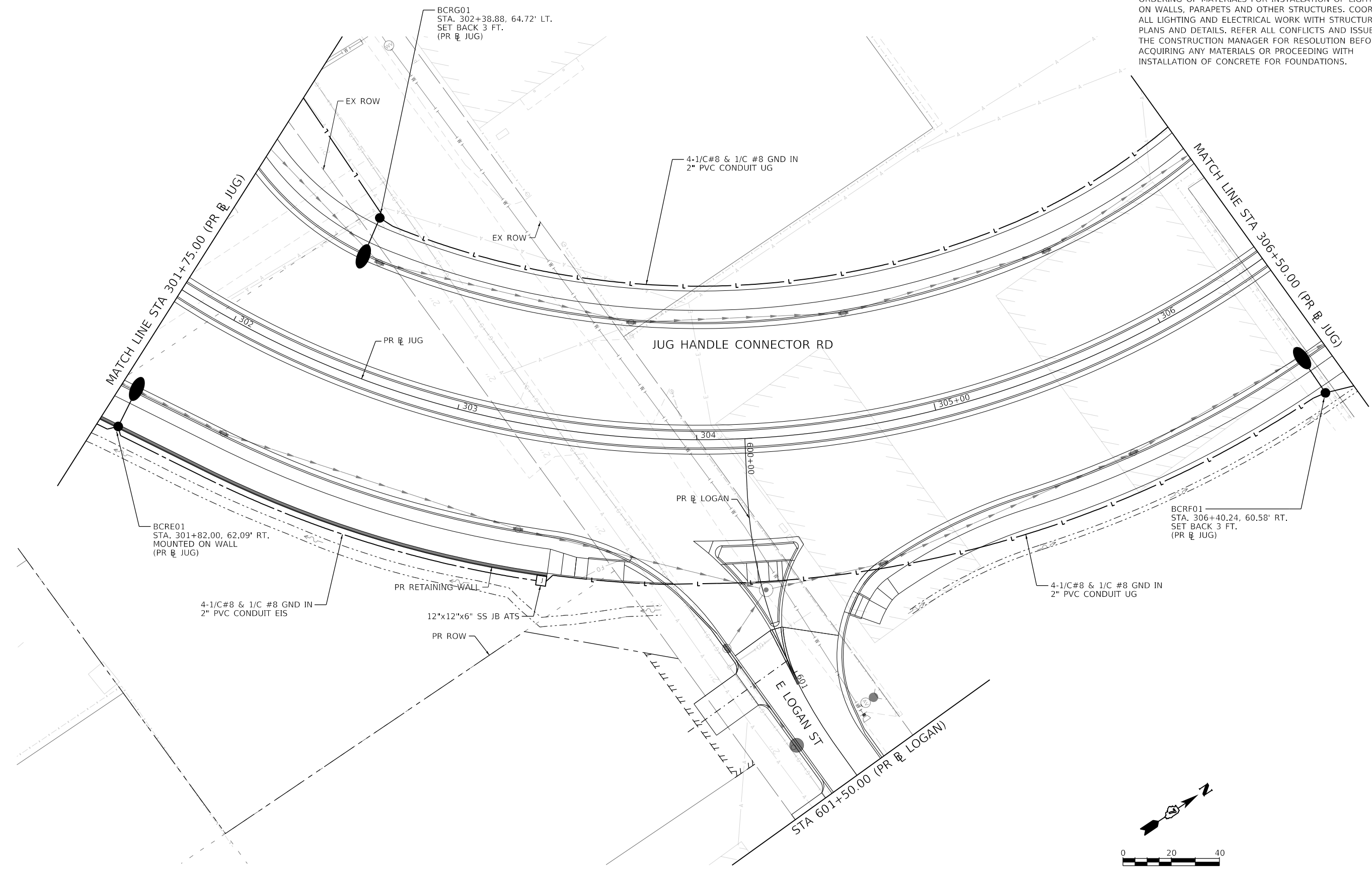
STATE OF ILLINOIS
 DEPARTMENT OF TRANSPORTATION

FARIES PARKWAY
 PROPOSED LIGHTING PLAN
 SCALE: 1"=20' SHEET 7 OF 11 SHEETS STA. 212+00.00 TO STA. 218+00.00

F.A.U. RTE.	SECTION	COUNTY	TOTAL SHEETS	SHEET NO.
7448	09-00933-01-BR	MACON	1019	737
CONTRACT NO. 95893				
ILLINOIS FED. AID PROJECT				

NOTES

1. CONTRACTOR MUST VERIFY ALL LIGHT POLE LOCATIONS PROPOSED TO BE INSTALLED ON STRUCTURES PRIOR TO THE ORDERING OF MATERIALS FOR INSTALLATION OF LIGHT POLES ON WALLS, PARAPETS AND OTHER STRUCTURES. COORDINATE ALL LIGHTING AND ELECTRICAL WORK WITH STRUCTURAL PLANS AND DETAILS. REFER ALL CONFLICTS AND ISSUES TO THE CONSTRUCTION MANAGER FOR RESOLUTION BEFORE ACQUIRING ANY MATERIALS OR PROCEEDING WITH INSTALLATION OF CONCRETE FOR FOUNDATIONS.



MODEL: Default
 FILE NAME: p:\aecom\m-pw-bentley.com\AECOM_051\A\Documents\60603202-Brush College\000-CAD GIS\10_CAD\03_SHEETS\10_L\AECOM\Roadway\60603202_SHT_Lighting_08_1up-01



USER NAME = myersc	DESIGNED - MAE	REVISED -
DRAWN - CAM	REVISED -	
PLOT SCALE = 40.0000 ' / in.	CHECKED - WDS	REVISED -
PLOT DATE = 10/29/2021	DATE - 10/22/2021	REVISED -

STATE OF ILLINOIS
DEPARTMENT OF TRANSPORTATION

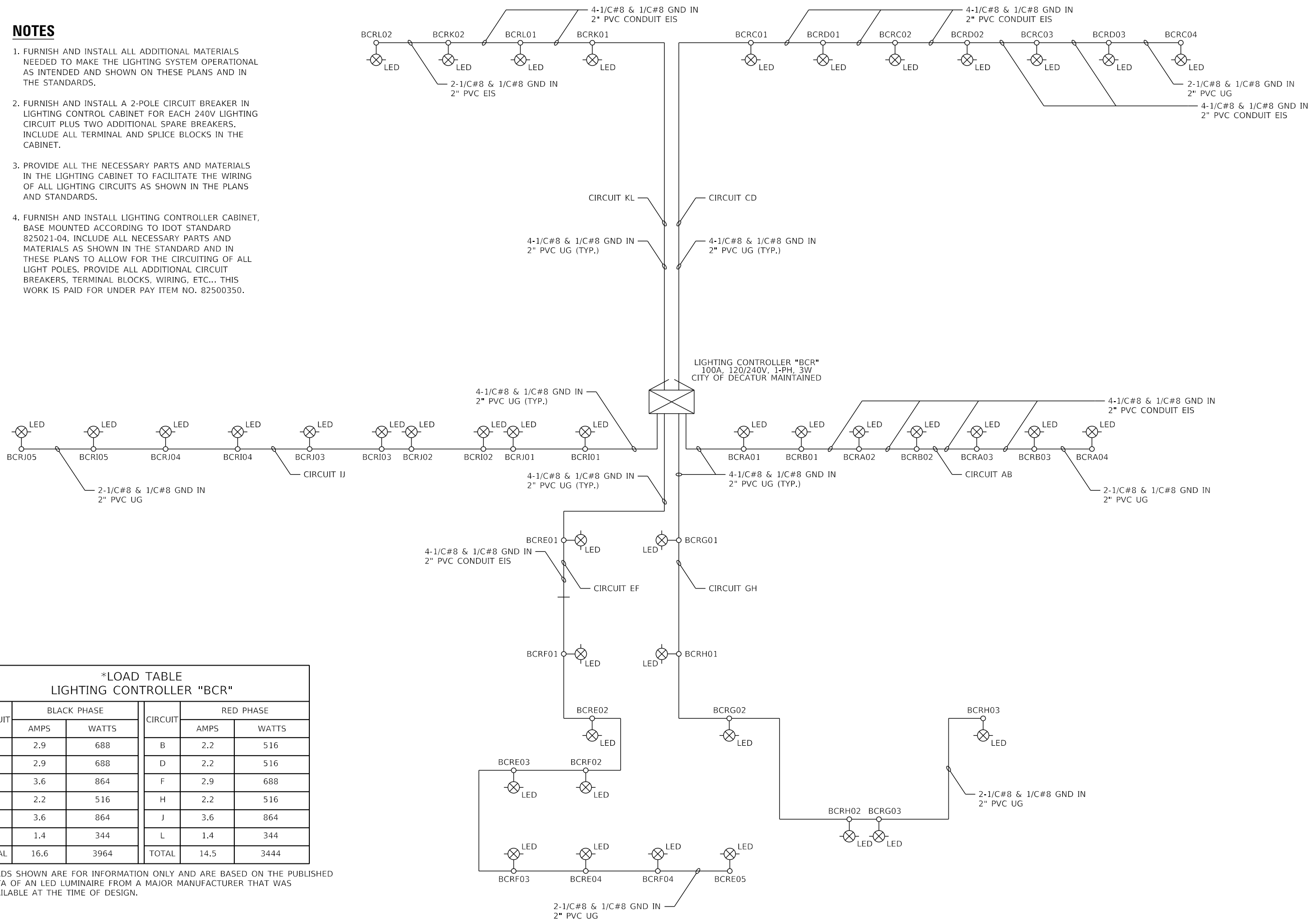
JUG HANDLE CONNECTOR ROAD PROPOSED LIGHTING PLAN	
SCALE: 1"=20'	SHEET 8 OF 11 SHEETS
STA. 301+75.00	TO STA. 306+50.00

F.A.U. RTE. 7448	SECTION 09-00933-01-BR	COUNTY MACON	TOTAL SHEETS 1019	SHEET NO. 738
CONTRACT NO. 95893				
ILLINOIS FED. AID PROJECT				

RL-08

NOTES

1. FURNISH AND INSTALL ALL ADDITIONAL MATERIALS NEEDED TO MAKE THE LIGHTING SYSTEM OPERATIONAL AS INTENDED AND SHOWN ON THESE PLANS AND IN THE STANDARDS.
2. FURNISH AND INSTALL A 2-POLE CIRCUIT BREAKER IN LIGHTING CONTROL CABINET FOR EACH 240V LIGHTING CIRCUIT PLUS TWO ADDITIONAL SPARE BREAKERS. INCLUDE ALL TERMINAL AND SPLICE BLOCKS IN THE CABINET.
3. PROVIDE ALL THE NECESSARY PARTS AND MATERIALS IN THE LIGHTING CABINET TO FACILITATE THE WIRING OF ALL LIGHTING CIRCUITS AS SHOWN IN THE PLANS AND STANDARDS.
4. FURNISH AND INSTALL LIGHTING CONTROLLER CABINET, BASE MOUNTED ACCORDING TO IDOT STANDARD 825021-04. INCLUDE ALL NECESSARY PARTS AND MATERIALS AS SHOWN IN THE STANDARD AND IN THESE PLANS TO ALLOW FOR THE CIRCUITING OF ALL LIGHT POLES. PROVIDE ALL ADDITIONAL CIRCUIT BREAKERS, TERMINAL BLOCKS, WIRING, ETC... THIS WORK IS PAID FOR UNDER PAY ITEM NO. 82500350.



***LOAD TABLE
LIGHTING CONTROLLER "BCR"**

CIRCUIT	BLACK PHASE		CIRCUIT	RED PHASE	
	AMPS	WATTS		AMPS	WATTS
A	2.9	688	B	2.2	516
C	2.9	688	D	2.2	516
E	3.6	864	F	2.9	688
G	2.2	516	H	2.2	516
I	3.6	864	J	3.6	864
K	1.4	344	L	1.4	344
TOTAL	16.6	3964	TOTAL	14.5	3444

* LOADS SHOWN ARE FOR INFORMATION ONLY AND ARE BASED ON THE PUBLISHED DATA OF AN LED LUMINAIRE FROM A MAJOR MANUFACTURER THAT WAS AVAILABLE AT THE TIME OF DESIGN.

MODEL: Default
FILE NAME: p:\aecom\m-pw\benley.com\AECOM_051\NA\Documents\60603202-Brush_College\006-CAD_GIS\910_CAD\03_SHEETS\01_L4\AECOM\Roadway\60603202_SHT_Lighting_09_WiringDia



USER NAME = myersc
PLOT SCALE = 40.0000 ' / in.
PLOT DATE = 4/27/2021

DESIGNED - MAE
DRAWN - CAM
CHECKED - WDS
DATE - 4/30/2021

REVISED -
REVISED -
REVISED -
REVISED -

**STATE OF ILLINOIS
DEPARTMENT OF TRANSPORTATION**

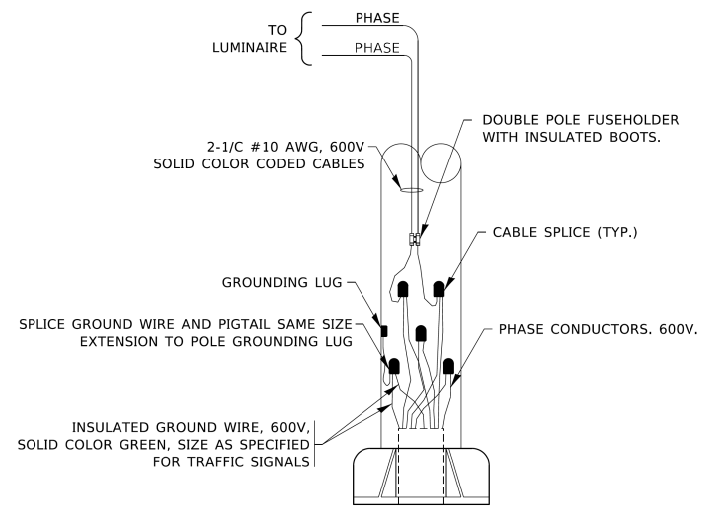
**PROPOSED LIGHTING PLAN
LIGHTING CONTROLLER WIRING DIAGRAM**

SCALE: N.T.S SHEET 9 OF 11 SHEETS STA. TO STA.

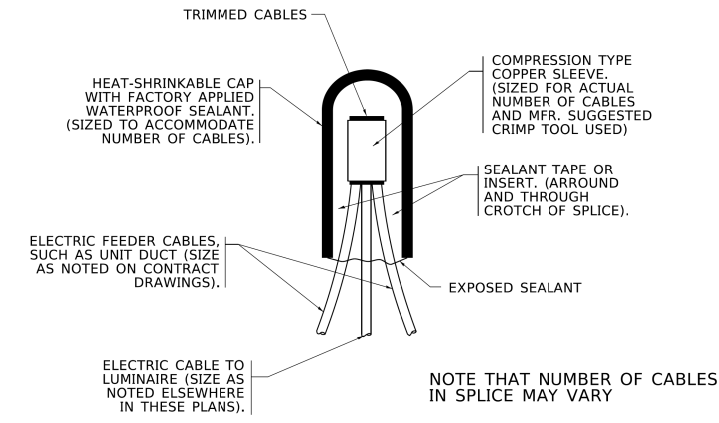
F.A.U. RTE.	SECTION	COUNTY	TOTAL SHEETS	SHEET NO.
7448	09-00933-01-BR	MACON	1019	739
CONTRACT NO. 95893				
ILLINOIS FED. AID PROJECT				

RL-09

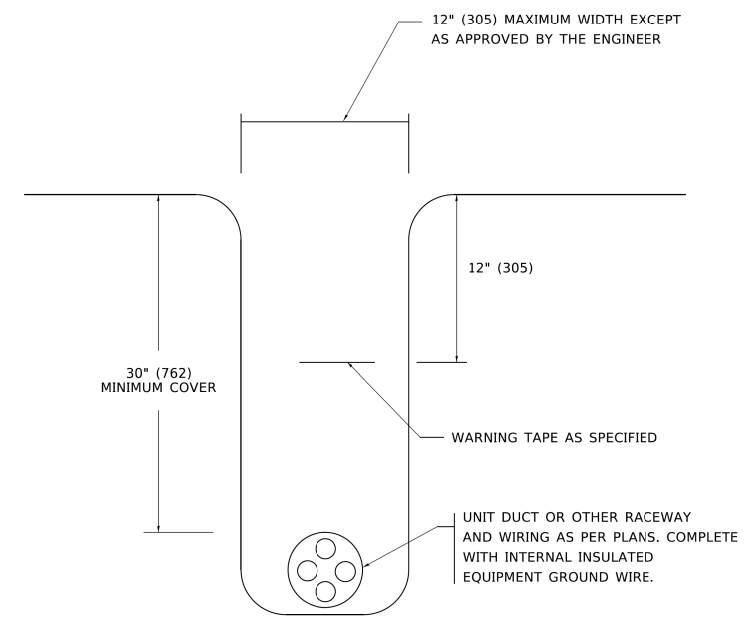
MODEL: Default
 FILE NAME: p:\aecom\m-pw\benley.com\AECOM_0510_NA\Documents\60603202-Brush College\006-CAD GIS\010_CAD\013_SHEETS\010_L4ECON\Roadway\60603202_SHT_Lighting_10_Details



COMBINATION POLE WIRING DETAIL
 (NOT TO SCALE)



TYPICAL SPLICE DETAIL
 N.T.S.



TYPICAL WIRING IN TRENCH DETAIL
 N.T.S.



USER NAME = myersc	DESIGNED - MAE	REVISED -
PLOT SCALE = 40.0000 ' / in.	DRAWN - CAM	REVISED -
PLOT DATE = 4/27/2021	CHECKED - WDS	REVISED -
	DATE - 4/30/2021	REVISED -

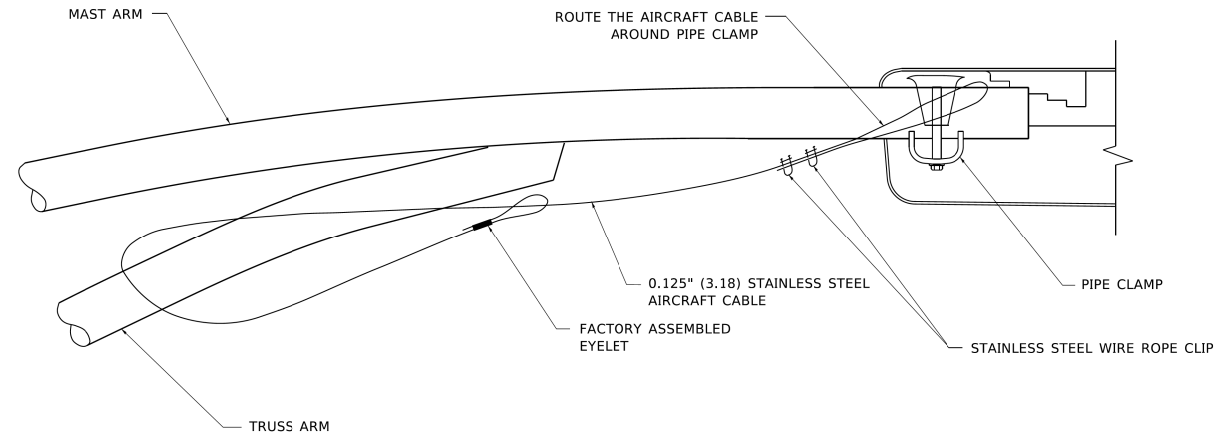
STATE OF ILLINOIS
 DEPARTMENT OF TRANSPORTATION

ELECTRICAL DETAILS

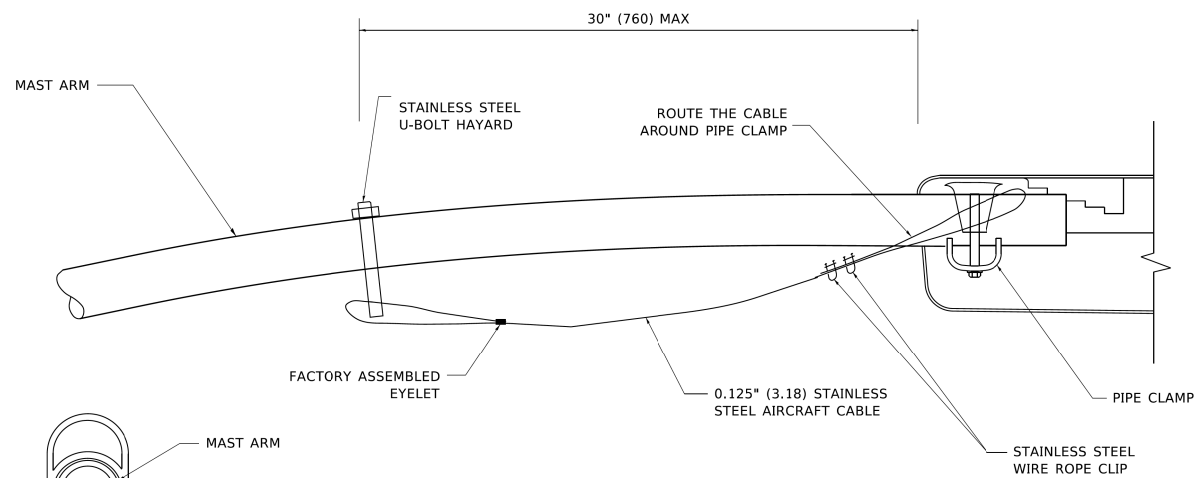
SCALE: N.T.S SHEET 10 OF 11 SHEETS STA. TO STA.

F.A.U. RTE.	SECTION	COUNTY	TOTAL SHEETS	SHEET NO.
7448	09-00933-01-BR	MACON	1019	740
CONTRACT NO. 95893				
ILLINOIS FED. AID PROJECT				

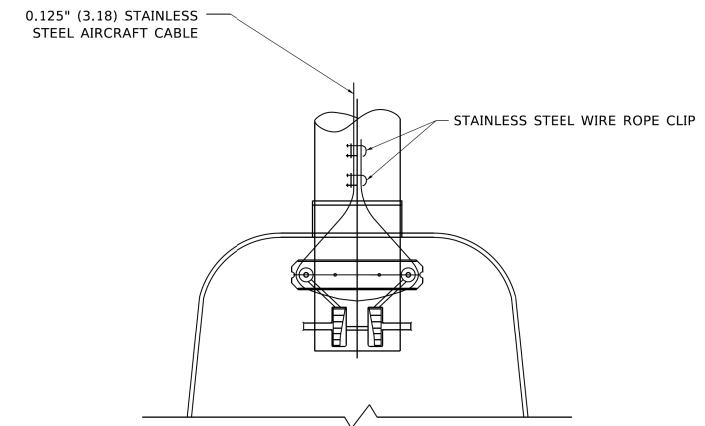
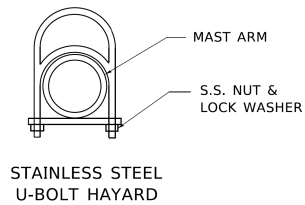
MODEL: Default
FILE NAME: p:\aecom\p-w-bentley.com\AECOM_0516_MA\Documents\60603202-Brush College\00-CAD GIS\010_CAD\03_SHEETS\01_L_AECOM\Roadway\60603202_SHT_Lighting_11_Details



SIDE VIEW (TRUSS ARM)
N.T.S.



SIDE VIEW (SINGLE MEMBER OR DAVIT ARM)
N.T.S.



BOTTOM VIEW
N.T.S.

NOTES:

1. ALL DIMENSIONS ARE IN MILLIMETERS (INCHES) UNLESS OTHERWISE SHOWN.
2. CONTRACTOR SHALL ADJUST THE WIRE CLIP TO ELIMINATE ANY SLACK FROM THE WIRE ROPE.
3. THE 0.125" (3.18) STAINLESS STEEL AIRCRAFT CABLE SHALL REMAIN VISIBLE FROM THE GROUND LEVEL.
4. THE BREAKING STRENGTH OF THE CABLE SHALL BE 1700 LBS. MIN.



USER NAME = myersc	DESIGNED - MAE	REVISED -
PLOT SCALE = 40.0000 ' / in.	DRAWN - CAM	REVISED -
PLOT DATE = 4/27/2021	CHECKED - WDS	REVISED -
	DATE - 4/30/2021	REVISED -

**STATE OF ILLINOIS
DEPARTMENT OF TRANSPORTATION**

ELECTRICAL DETAILS

SCALE: N.T.S. SHEET 11 OF 11 SHEETS STA. TO STA.

F.A.U. RTE.	SECTION	COUNTY	TOTAL SHEETS	SHEET NO.
7448	09-00933-01-BR	MACON	1019	741
CONTRACT NO. 95893				
ILLINOIS FED. AID PROJECT				



DECATUR, ILLINOIS

ILLINOIS CENTRAL RAILROAD STALEY HOLE LEAD TRACK

PROJECT INFORMATION

PROPERTY OWNERS: ILLINOIS CENTRAL RAILROAD COMPANY

FACILITY OWNER/OPERATOR: ILLINOIS CENTRAL RAILROAD COMPANY

PLANS DEVELOPED BY: AECOM
CONTACT: RUSSELL COATE
303 EAST WACKER DRIVE
SUITE 1400
CHICAGO, IL 60601
PHONE: (312) 861-4062

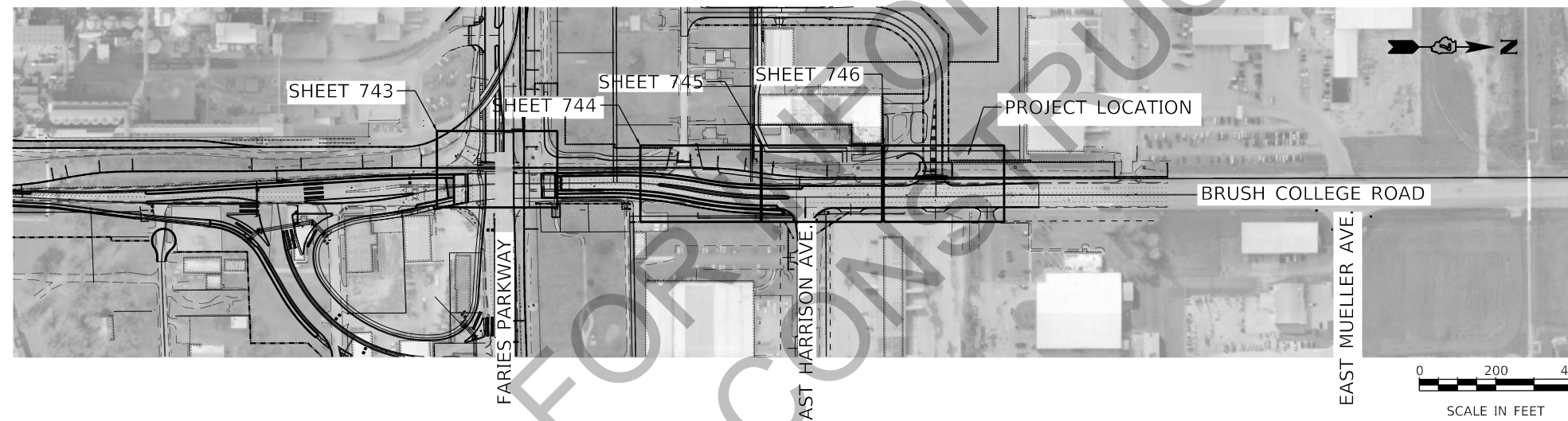
PROJECT OWNER: ILLINOIS CENTRAL RAILROAD COMPANY
CHICAGO DIVISION
17641 S ASHLAND AVE
HOMEWOOD, IL 60430

REFERENCE DATUM: HORIZONTAL: NAD 83
VERTICAL: NAVD 1988
SURVEY FEET

PROJECT SPECIFICATIONS: CONTRACTOR SHALL ADHERE TO
CN ENGINEERING SPECIFICATIONS FOR
INDUSTRIAL TRACKS EFFECTIVE JUNE 15, 2011

PROJECT NOTES: ICRR FORCES AND/OR RAILROAD
CONTRACTOR TO COORDINATE WITH
ROADWAY CONTRACTOR FOR SCHEDULE AND
SEQUENCE OF CONSTRUCTION OF GRADE
CROSSING CLOSURES AND PROPOSED GRADE
CROSSING CONSTRUCTION

INDEX OF DRAWINGS	
SHEET NO.	TITLE
742 OF 1019	IC RR TITLE SHEET
743 OF 1019	PROPOSED GRADE CROSSING MODIFICATIONS AT FARIES PARKWAY
744 OF 1019	EXISTING GRADE CROSSING REMOVAL AT EXISTING EAST HARRISON AVENUE
745 OF 1019	EXISTING GRADE CROSSING REMOVAL AT EXISTING ADM ENTRANCE
746 OF 1019	PROPOSED GRADE CROSSING AT PROPOSED EAST HARRISON AVENUE
747 OF 1019	GRADE CROSSING DETAILS



PROJECT LOCATION AND KEYMAP

BRUSH COLLEGE ROAD ICRR BILL OF MATERIALS			
ITEM	DESCRIPTION	QTY	UNIT
1	Remove Track, Rails, Wood Ties and OTM (ADM Entrance)	80	TF
2	Track Crossing Panel Removal (3 xings)	210	TF
3	Track Ballast Includes Lift and Line and Unloading Ballast Cars	100	TN
4	No. 2 Hardwood Track Ties (20" centers)	48	EA
5	New Crossing Ties and all OTMs for ADM entrance	80	TF
6	Rail, 115LB RE, CWR	160	LF
7	Cut Spike fasteners (Assume min. 2 spikes per plate and 4 per plate at box anchors, 240/keg)	1	KEGS
8	Box Anchors (Every other tie per A11)	96	EA
9	Tie Plates	96	EA
10	Track Surface and Line	80	TF
11	Track Crossing Panels - Timber Panels	80	TF
12	Railroad Crossing Equipment (signal bungalow, gates, flashers)	2	EA

NOTE: SEE ROADWAY PLANS FOR ROADWAY QUANTITIES

100% DESIGN



USER NAME = Seth.Walker	DESIGNED - SJM	REVISED -
	DRAWN - MLW	REVISED -
PLOT SCALE = 400,0000' / in.	CHECKED - RAC	REVISED -
PLOT DATE = 10/21/2021	DATE - 10/22/2021	REVISED -

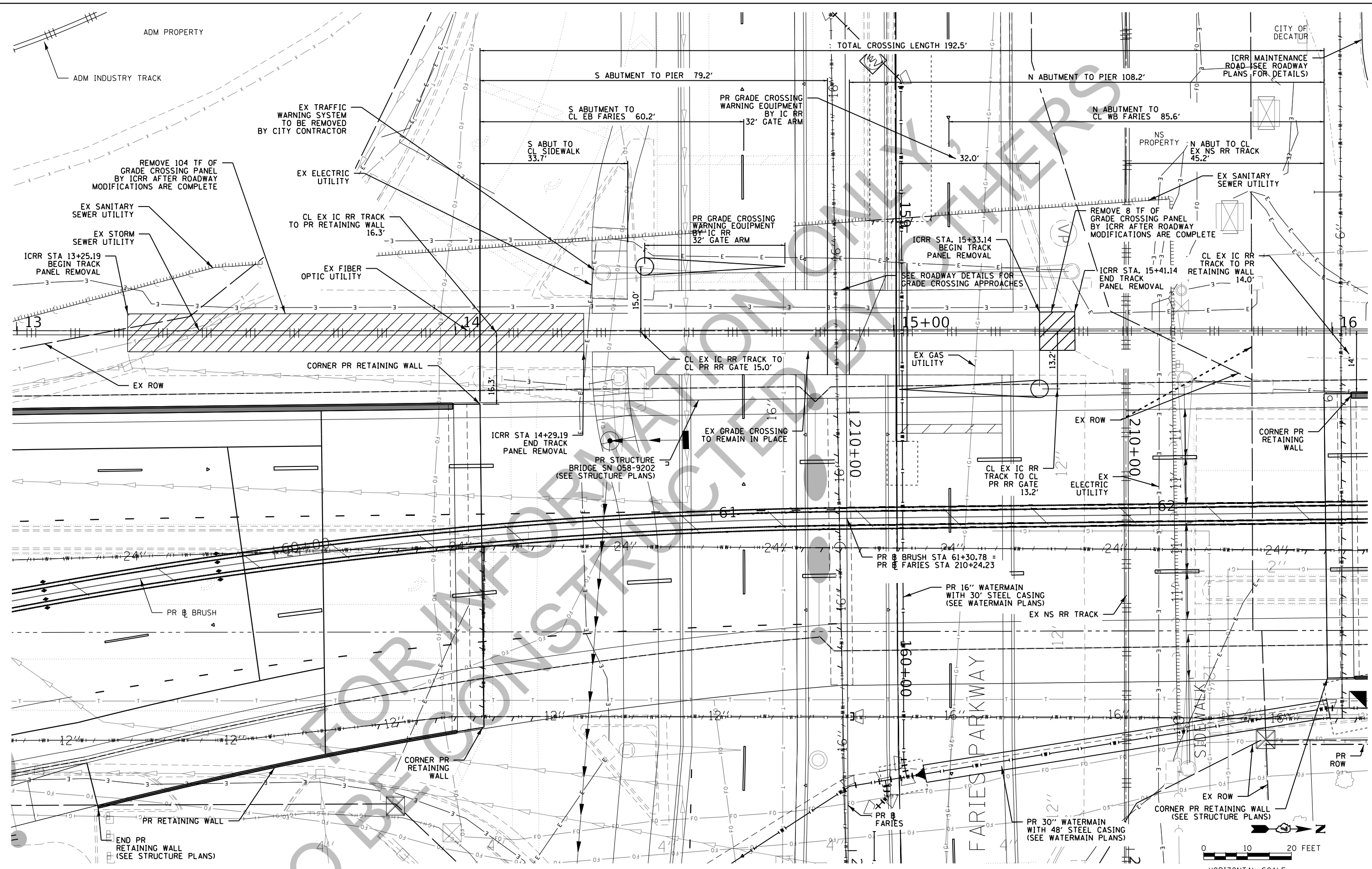
STATE OF ILLINOIS
DEPARTMENT OF TRANSPORTATION

BRUSH COLLEGE ROAD
IC RR TITLE SHEET

SCALE: 1"=200' SHEET 742 OF 1019 SHEETS STA. TO STA.

F.A.U. RTE.	SECTION	COUNTY	TOTAL SHEETS	SHEET NO.
7448	09-00933-01-BR	MACON	1019	742
CONTRACT NO. 95893				
ILLINOIS FED. AID PROJECT				

MODEL: Default
FILE NAME: p:\aecom\m-pw\hntley.com\AECOM_0516_NA\Documents\6060302-Brush_College\00-CAD_GIS\910_CAD\03_SHEETS\01_AECOM\Railroad\606030202_SHT01_Cover_01_Brush-01.dgn



MODEL: Default
 FILE NAME: p:\mcom\pww\hennley.com\AECOM_D51\MA\Documents\60603202-Brush_College\00-CAD_GIS\910_CAD\03_SHEETS\01_AECOM\Railroad\60603202_SHT02_Crossing\01_Brush-03.dgn



USER NAME = monica.crinion
 PLOT SCALE = 20.0000" / in.
 PLOT DATE = 10/30/2021

DESIGNED - SJM
 DRAWN - MLW
 CHECKED - RAC
 DATE - 10/22/2021

REVISED -
 REVISED -
 REVISED -
 REVISED -

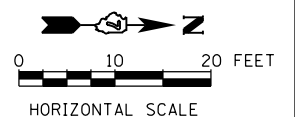
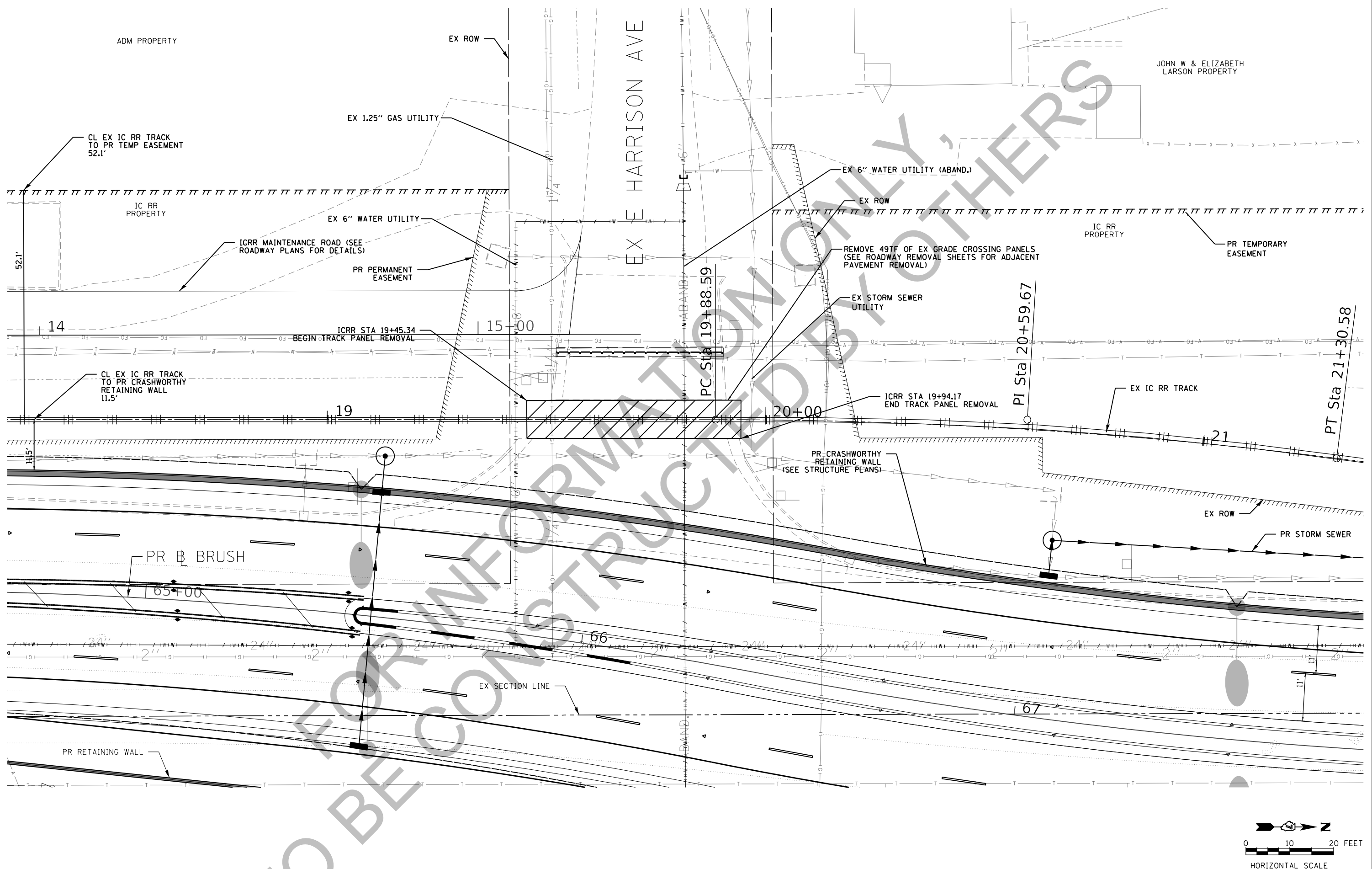
**STATE OF ILLINOIS
 DEPARTMENT OF TRANSPORTATION**

**BRUSH COLLEGE ROAD
 PROPOSED GRADE CROSSING MODIFICATIONS AT
 FARIES PARKWAY**
 SCALE: 1"=10' SHEET 743 OF 1019 SHEETS STA. 13+00.00 TO STA. 16+08.00

F.A.U. RTE.	SECTION	COUNTY	TOTAL SHEETS	SHEET NO.
7448	09-00933-01-BR	MACON	1019	743
CONTRACT NO. 95893				
ILLINOIS FED. AID PROJECT				



MODEL: Default
 FILE NAME: p:\aecom\m-pw\hennley.com\AECOM_0516_MA\Documents\60603202-Brush_College\00-CAD_GIS\910_CAD\03_SHEETS\01_AECOM\Railroad\60603202_SHT03_Crossing02_Brush-04.dgn



USER NAME = monica.crinion	DESIGNED - SJM	REVISED -
PLOT SCALE = 20.0000' / in.	DRAWN - MLW	REVISED -
PLOT DATE = 10/30/2021	CHECKED - RAC	REVISED -
	DATE - 10/22/2021	REVISED -

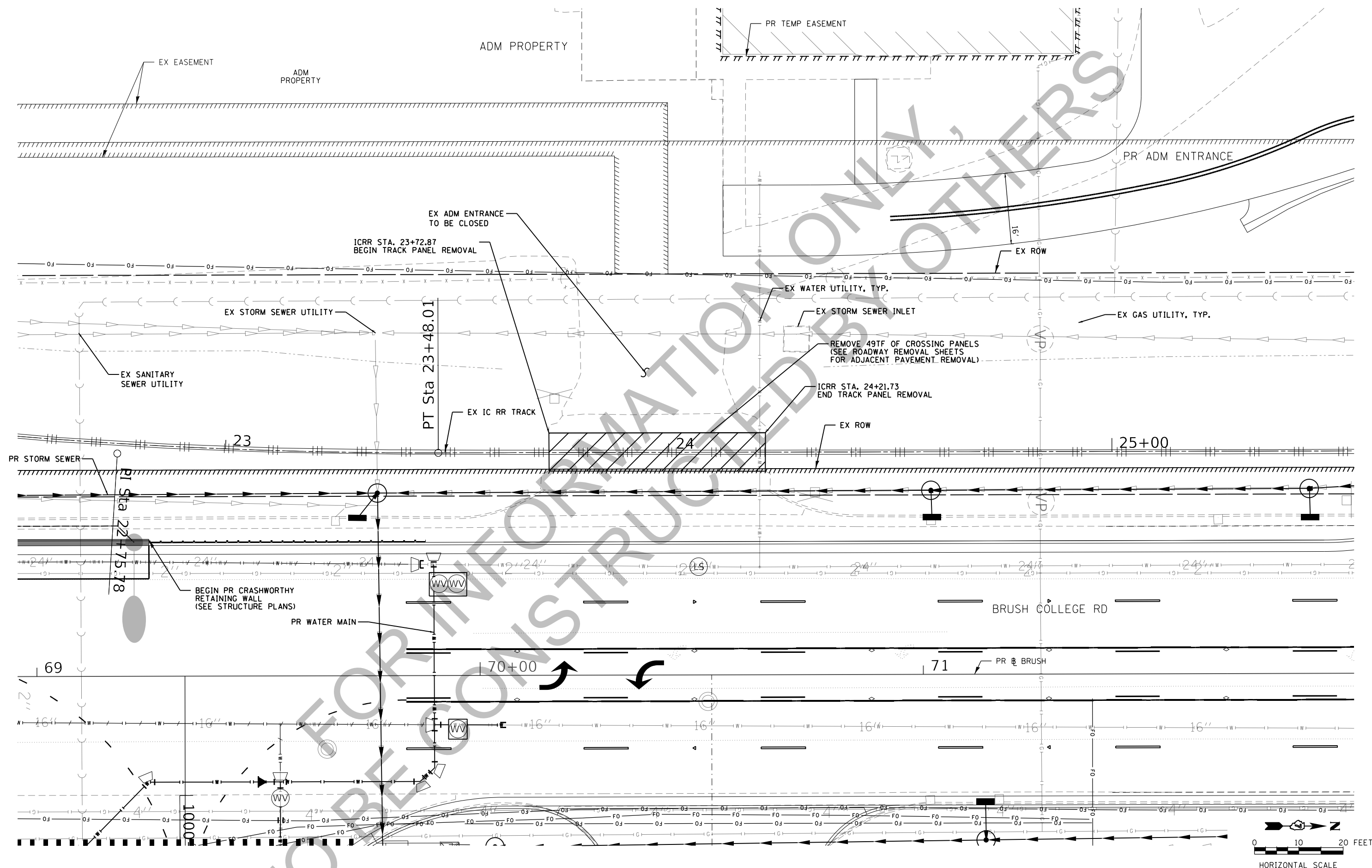
**STATE OF ILLINOIS
 DEPARTMENT OF TRANSPORTATION**

**BRUSH COLLEGE ROAD
 GRADE CROSSING REMOVAL AT
 EXISTING HARRISON AVENUE**

SCALE: 1"=10' SHEET 744 OF 1019 SHEETS STA. 18+27.00 TO STA. 21+36.00

F.A.U. RTE.	SECTION	COUNTY	TOTAL SHEETS	SHEET NO.
7448	09-00933-01-BR	MACON	1019	744
CONTRACT NO. 95893				
ILLINOIS FED. AID PROJECT				

MODEL: Default
 FILE NAME: p:\mecom\p-w\benley.com\AECOM_051\MA\Documents\60603202-Brush_College\09-00-CAD_GIS\910_CAD\03_SHEETS\01_AECOM\Railroad\60603202_SHT04_Crossing_03_Brush.dgn



USER NAME = monica.crinion	DESIGNED - SJM	REVISED -
PLOT SCALE = 20.0000' / in.	DRAWN - MLW	REVISED -
PLOT DATE = 10/30/2021	CHECKED - RAC	REVISED -
	DATE - 10/22/2021	REVISED -

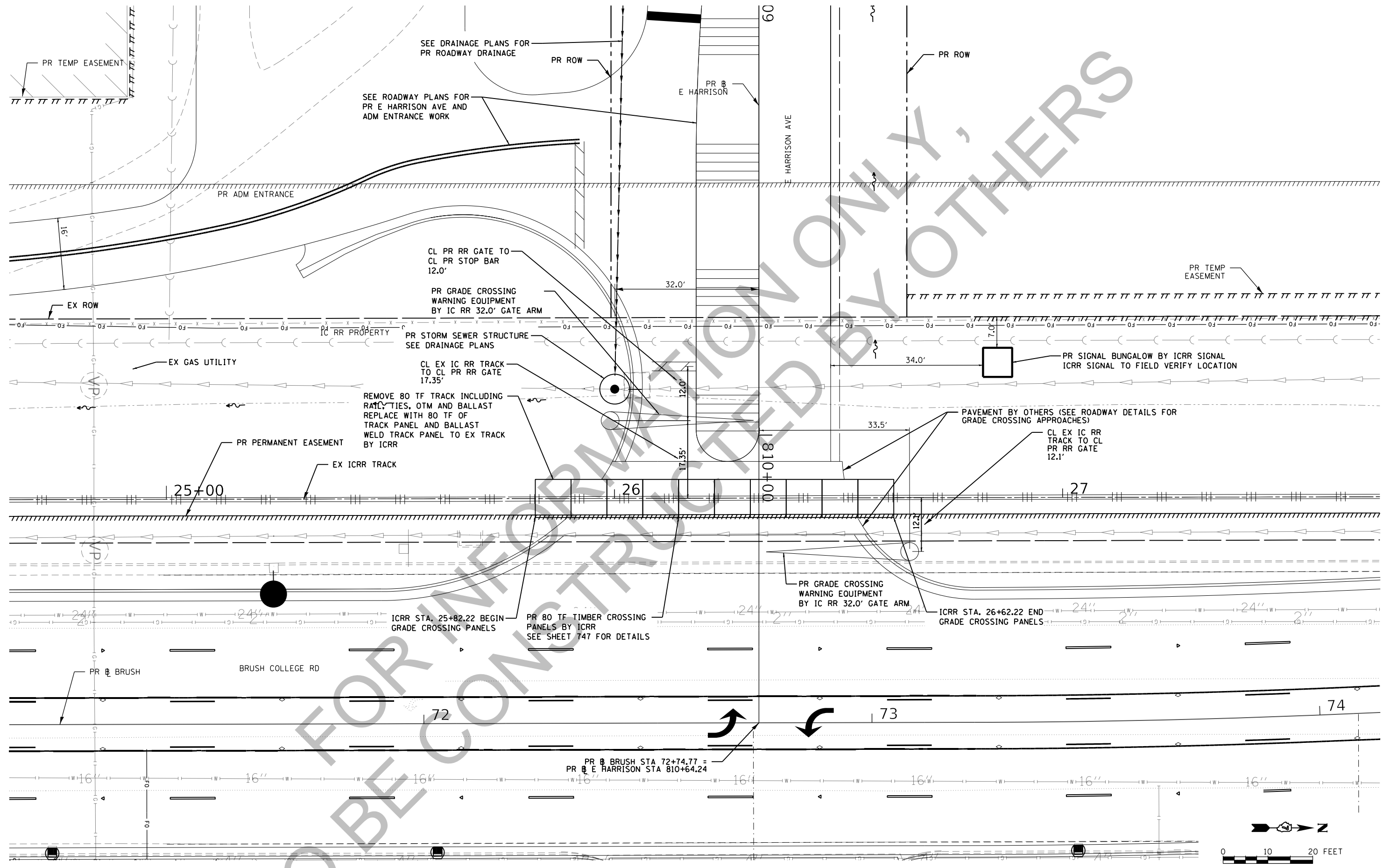
**STATE OF ILLINOIS
 DEPARTMENT OF TRANSPORTATION**

**BRUSH COLLEGE ROAD
 GRADE CROSSING REMOVAL AT
 EXISTING ADM ENTRANCE**

SCALE: 1"=10' SHEET 745 OF 1019 SHEETS STA. 21+50.00 TO STA. 24+55.00

F.A.U. RTE.	SECTION	COUNTY	TOTAL SHEETS	SHEET NO.
7448	09-00933-01-BR	MACON	1019	745
CONTRACT NO. 95893				
ILLINOIS FED. AID PROJECT				

MODEL: Default
 FILE NAME: p:\aecom\m-pw\hntley.com\AECOM_051_MA\Documents\60603202-Brush_College\00-CAD GIS\09_10_CAD\03_SHEETS\01_AECOM\Railroad\60603202_SHT05_Crossing04_Brush-05.dgn



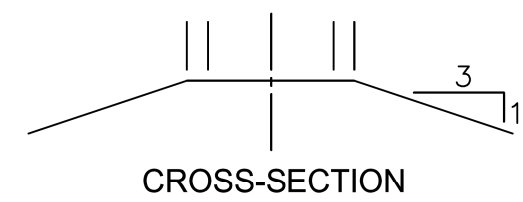
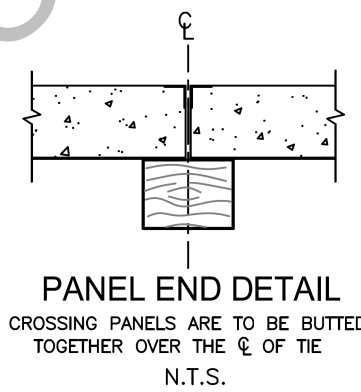
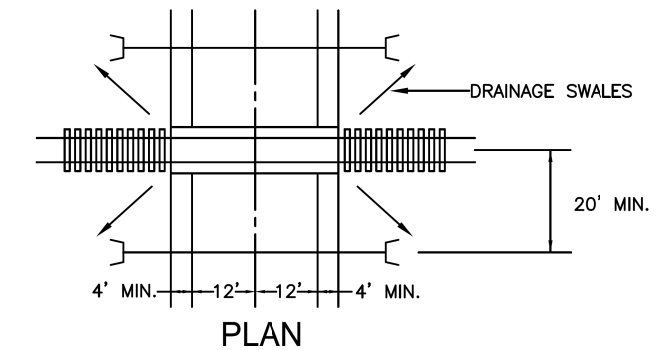
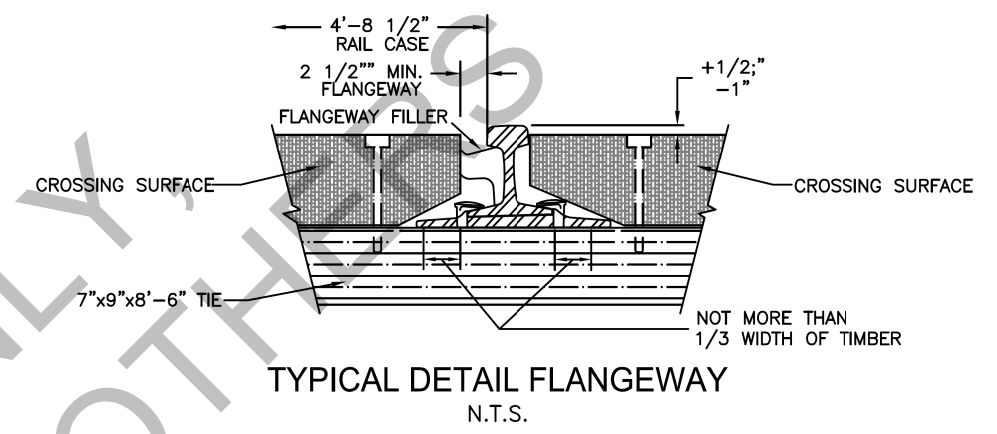
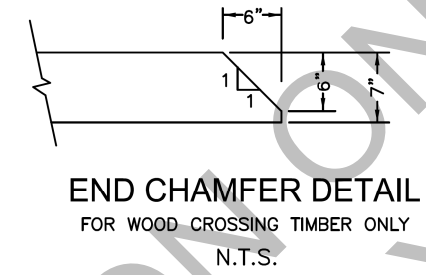
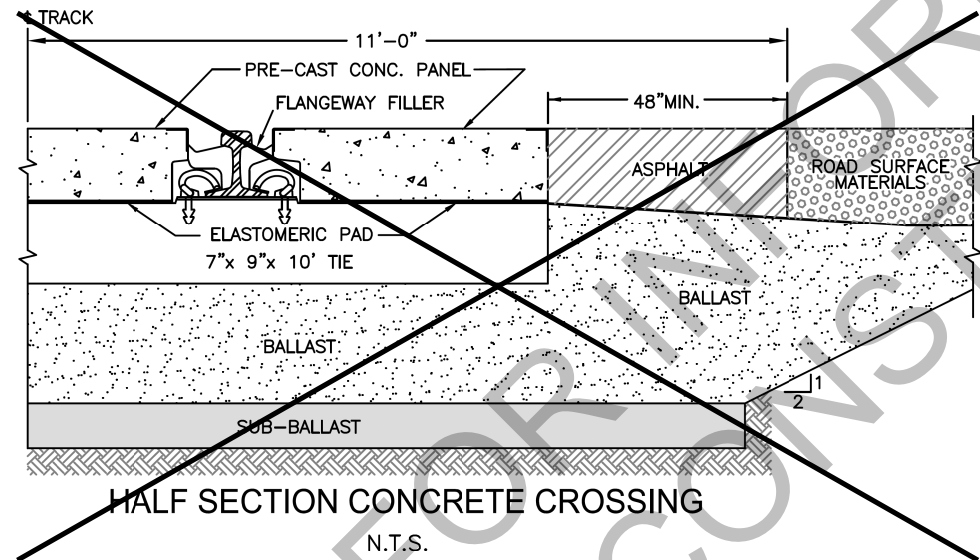
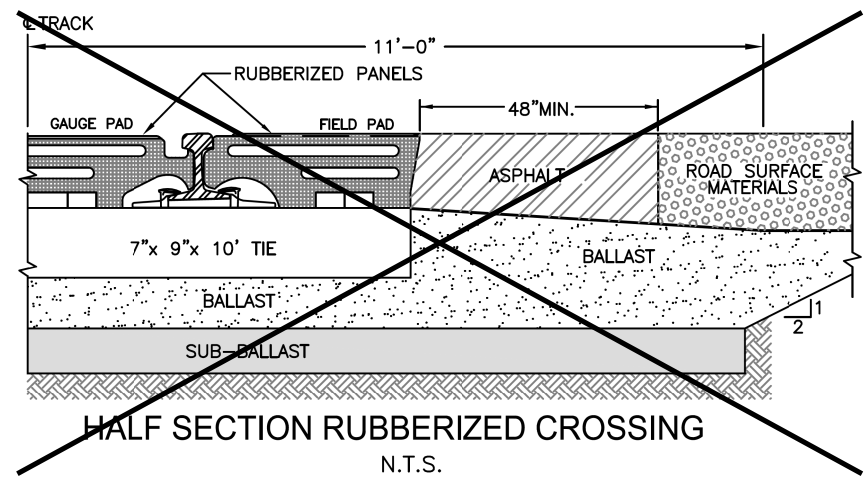
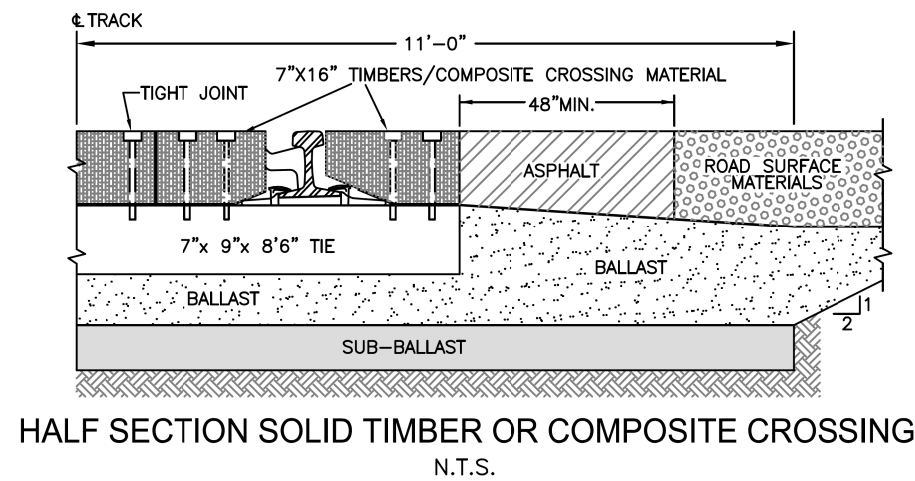
USER NAME = monica.crinion	DESIGNED - SJM	REVISED -
PLOT SCALE = 20.0000' / in.	DRAWN - MLW	REVISED -
PLOT DATE = 10/30/2021	CHECKED - RAC	REVISED -
	DATE - 10/22/2021	REVISED -

STATE OF ILLINOIS
 DEPARTMENT OF TRANSPORTATION

BRUSH COLLEGE ROAD
 PROPOSED GRADE CROSSING
 AT PROPOSED EAST HARRISON AVENUE


SCALE: 1"=10'
 SHEET 746 OF 1019 SHEETS
 STA. 23+65.00 TO STA. 26+70.00

F.A.U. RTE.	SECTION	COUNTY	TOTAL SHEETS	SHEET NO.
7448	09-00933-01-BR	MACON	1019	746
CONTRACT NO. 95893				
ILLINOIS FED. AID PROJECT				



- NOTES:
- CROSSING LENGTH SHOULD EXTEND ENTIRE WIDTH OF USABLE SHOULDERS.
 - CROWN IN ROADWAY SHOULD BE ELIMINATED AT CROSSING SO AS TO MATCH GRADE AND PROFILE OF RAILROAD.
 - DRAINAGE CULVERTS IN TRACKSIDE DITCHES SHOULD BE APPROPRIATELY SIZED (24" MINIMUM DIAMETER) AND INSTALLED AT AN ELEVATION WHICH PERMITS UNRESTRICTED FLOW. CULVERTS SHOULD ALSO BE OF SUFFICIENT LENGTH AND/OR EQUIPPED WITH FLARED ENDS OR HEADWALLS TO PRECLUDE COLLAPSE OF ROADWAY SHOULDER AT OR AROUND CULVERT ENDS.

- NOTE:
- FASTENING TO BE WITH 5/8" DRIVE SPIKE OF A LENGTH TO PENETRATE CROSS TIE 3" OR MORE.
 - USE ONE FASTENING PER TIMBER PER CROSS TIE, ALTERNATE POSITION BORE TIMBER 9/16" AND COUNTERSINK PILOT BORE CROSS TIE.
 - FULLY ASPHALTED OR AGGREGATE CROSSINGS ARE NOT ALLOWED
 - CROSSINGS IN CURVES WILL NEED TIES TO BE SPACED IN RADIAL FAN ARRANGEMENT
 - CROSSINGS IN CURVES MAY NEED TO BE SPECIALLY ORDERED.

REVISIONS		DATE		BY	
					
ROAD CROSSING DETAILS					
OFFICE OF DESIGN & CONSTRUCTION					
SHEET 1 OF 1		DRAWN BY: DAP		SCALE: NONE	
		CHECKED BY:		DATE: 15 NOV 15	
				FILE:	



USER NAME = stephen.moore	DESIGNED - SJM	REVISED -
	DRAWN - MLW	REVISED -
PLOT SCALE = 20.0000 ' / in.	CHECKED - RAC	REVISED -
PLOT DATE = 4/26/2021	DATE - 4/30/2021	REVISED -

STATE OF ILLINOIS
DEPARTMENT OF TRANSPORTATION

BRUSH COLLEGE ROAD
GRADE CROSSING DETAILS
(CN RAILROAD A19 STANDARD)

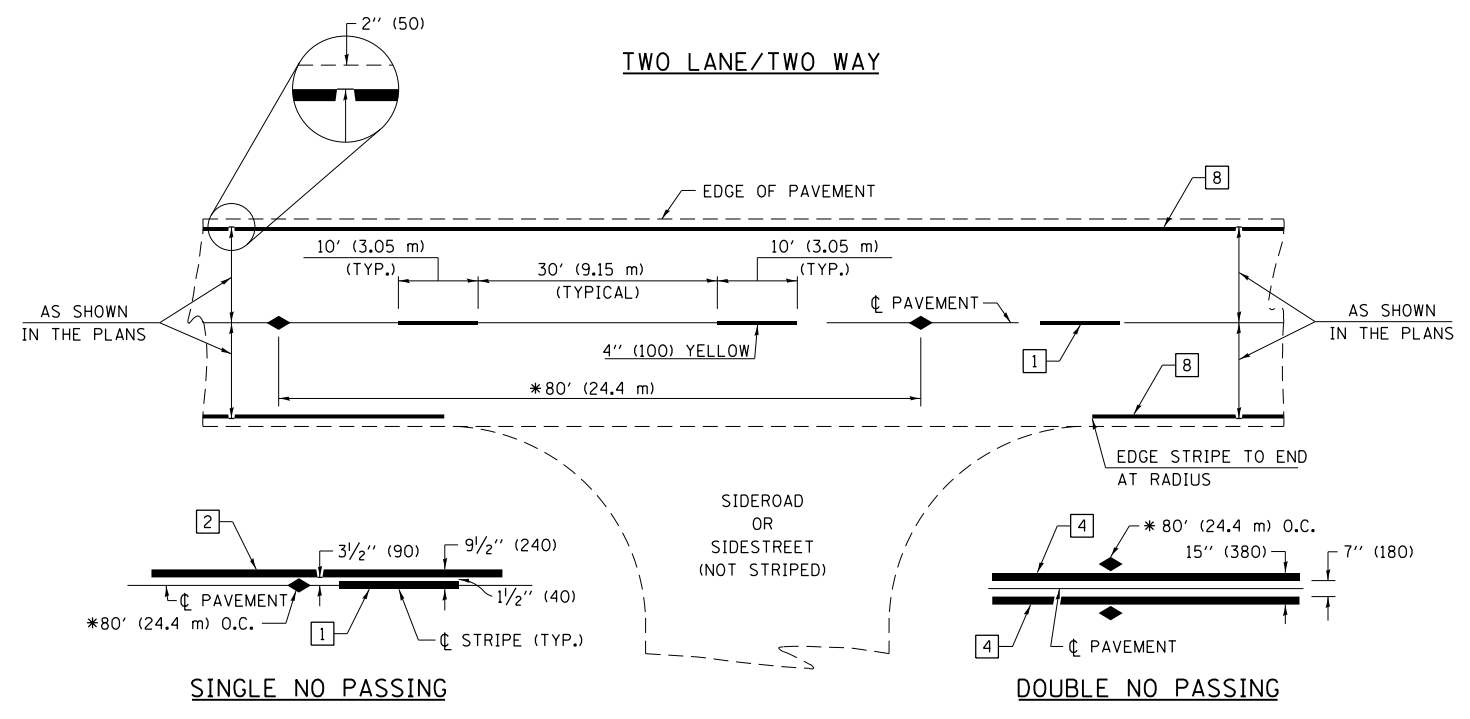
SCALE: N.T.S. SHEET 747 OF 1019 SHEETS STA. TO STA.

F.A.U. RTE.	SECTION	COUNTY	TOTAL SHEETS
7448	09-00933-01-BR	MACON	1019 747
CONTRACT NO. 95893			
ILLINOIS FED. AID PROJECT			

A19

MODEL: Default
FILE NAME: p:\w\mcom\m-pw\benley.com\AECOM_051\MA\Documents\60603202-Brush_College\000-CAD_GIS\910_CAD\03_SHEETS\01_AECOM\Railroad\60603202_SHT06_Detail01_CNCrossing-01.dgn

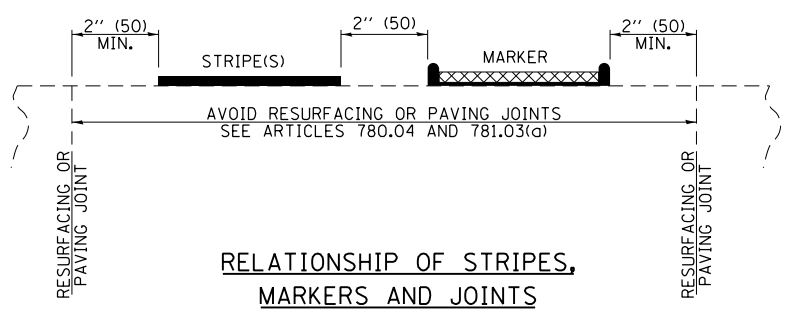
FILE NAME = ps\vecom-pp\p\hmt\j\com\ECOM\DS16_IL\Documents\60683202-Brach_Coll\Legs_900-CAD_GIS\910_CAD_03_SHEETS\01_AECOM\Detail\60683202_SHT_07_Detail-01.dgn



* REDUCE TO 40' (12.2 m) O.C. ON CURVES WITH POSTED OR ADVISORY SPEEDS OF 45 mph (70 km/h) OR LESS.

PAVEMENT MARKING LEGEND

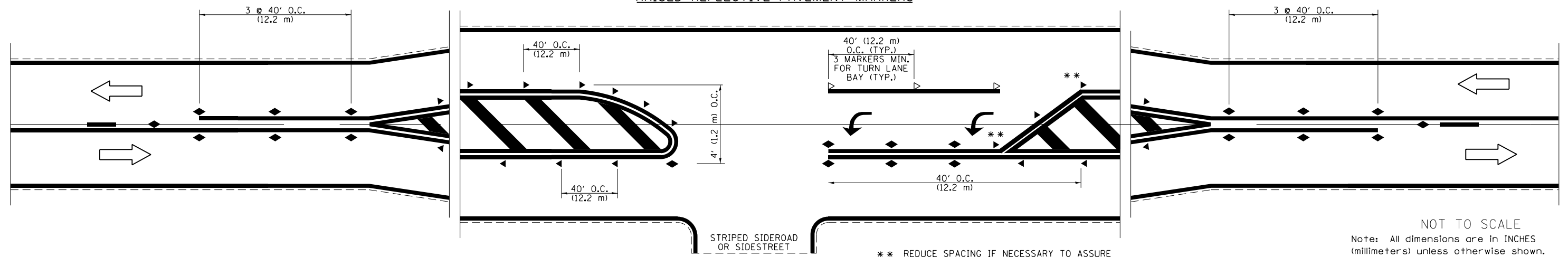
- 1 4" (100) SKIP-DASH (YELLOW)
 - 2 4" (100) SOLID (YELLOW)
 - 3 12" (300) DIAGONAL (YELLOW)
 - 4 4" (100) DOUBLE YELLOW (NARROW)
 - 5 12" (300) SOLID WHITE
 - 6 RESERVED
 - 7 6" (150) SKIP-DASH (WHITE)
 - 8 4" (100) SOLID (WHITE)
 - 9 12" (300) DIAGONAL (WHITE)
 - 10 6" (150) SOLID (WHITE)
 - 11 24" (600) STOP BAR (WHITE)
 - 12 8" (200) SOLID (WHITE)
 - 13 4" (100) PARKING WHITE
-



TYPICAL PAVEMENT MARKERS LEGEND

- ◆ TWO-WAY AMBER MARKER
- ▶ ONE-WAY AMBER MARKER
- ▷ ONE-WAY CRYSTAL MARKER

RAISED REFLECTIVE PAVEMENT MARKERS



** REDUCE SPACING IF NECESSARY TO ASSURE MARKERS AT CORNER POINTS.

NOT TO SCALE
Note: All dimensions are in INCHES (millimeters) unless otherwise shown.

USER NAME = elif.uiger	DESIGNED -	REVISED -
	DRAWN -	REVISED -
PLOT SCALE = 2.0000' / in.	CHECKED -	REVISED -
PLOT DATE = 4/27/2021	DATE -	REVISED -

**STATE OF ILLINOIS
DEPARTMENT OF TRANSPORTATION**

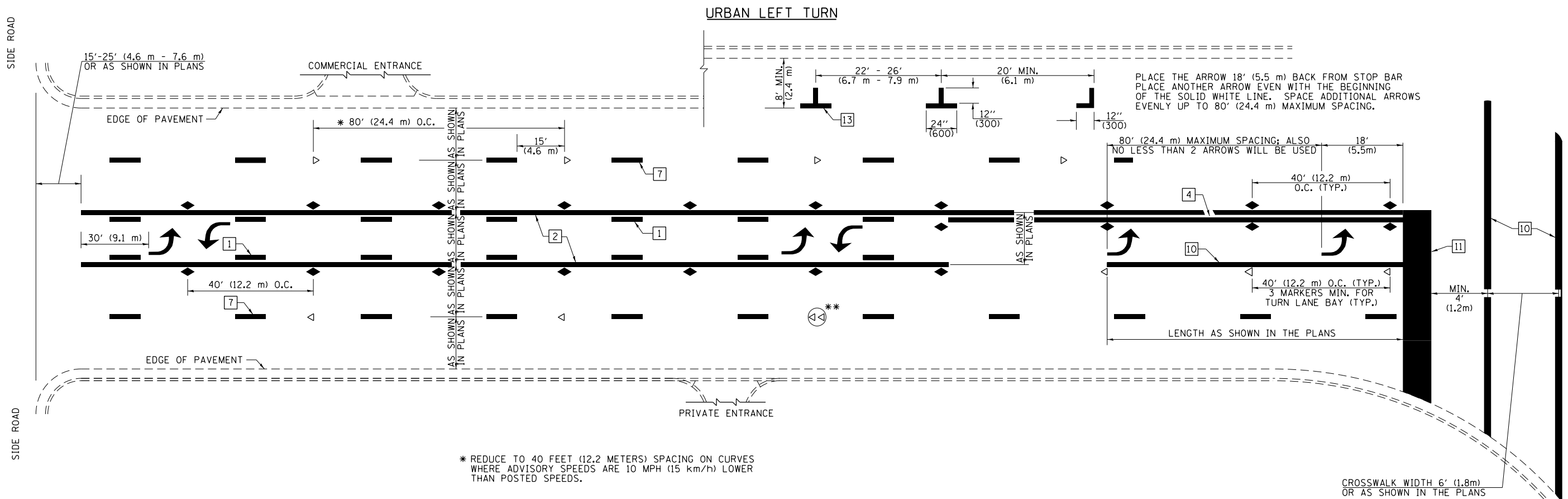
PAVEMENT MARKING AND RAISED REFLECTIVE PAVEMENT MARKERS (RURAL & URBAN APPLICATIONS)

SCALE: N/A	SHEET NO. 1 OF 4 SHEETS	STA. TO STA.
------------	-------------------------	--------------

DISTRICT 7 DETAIL NO. 7800001

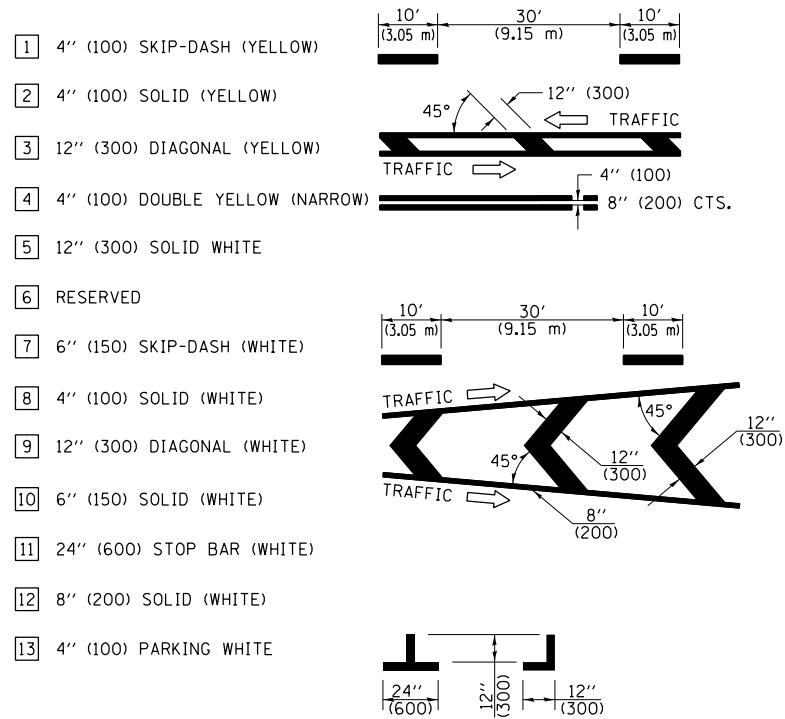
F.A. RTE.	SECTION	COUNTY	TOTAL SHEETS	SHEET NO.
744B	09-00933-01-BR	MACON	1019	748
CONTRACT NO.			95893	
ILLINOIS FED. AID PROJECT				

FILE: \\msc\p\p\aecon\ne-pw\ben\tej\com\p\aecon\DS16_NA\Documents\68603202-Brush_College\900-CAD_GIS\910-CAD_V03-SHEETS\01-AECOM\Details\68603202-SHT_D7_Detail-02.dgn



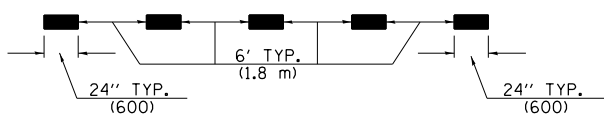
- * REDUCE TO 40 FEET (12.2 METERS) SPACING ON CURVES WHERE ADVISORY SPEEDS ARE 10 MPH (15 km/h) LOWER THAN POSTED SPEEDS.
- ** DOUBLE LANE LINE MARKERS SHALL BE SPECIFIED AND SPACED AS SHOWN IN HIGHWAY STANDARD 781001 FOR MULTI-LANE DIVIDED AND UNDIVIDED HIGHWAYS.

PAVEMENT MARKING LEGEND

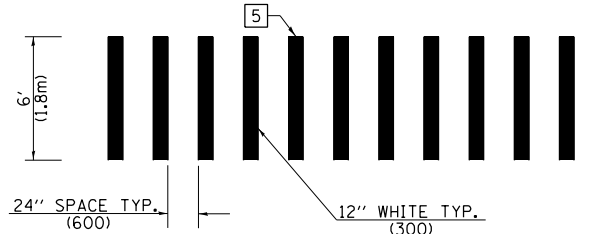


GENERAL NOTES

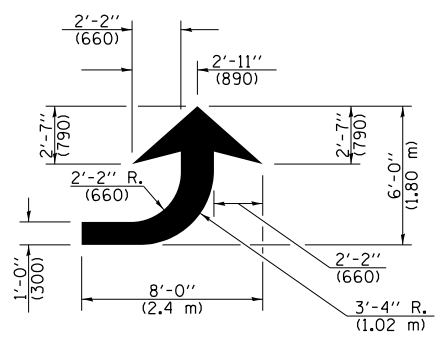
1. TURN ARROW PAIRS SHALL BE PLACED AT 250' (75 m) INTERVALS AND SHALL BE EVENLY SPACED BETWEEN BOTH ENDS OF THE BIDIRECTIONAL LEFT TURN LANE. USE A MINIMUM OF TWO PAIRS PER BLOCK.
2. THE SOLID YELLOW PAVEMENT MARKINGS [2] SHOULD GENERALLY START OR END NEAR THE RADIUS POINT OF EACH STREET RETURN EXCEPT WHERE ONE OR BOTH ENDS WOULD INCLUDE STOP BARS.
3. THE SKIP-DASH PAVEMENT MARKINGS [1] OR [7] SHOULD BE CENTERED BETWEEN BOTH ENDS OF EACH CITY BLOCK AND SHALL BE PLACED SO THEY LINE UP ACROSS FROM EACH OTHER.
4. USE LARGE ARROW SIZE FOR BOTH RURAL AND URBAN LOCATIONS. (SEE LAST PAGE OF SECTION 780x FOR SYMBOLS TABLE)
5. LANE LINE EXTENSIONS SHALL BE THE SAME COLOR AND WIDTH AS THE LANE LINE BEING EXTENDED.



LANE LINE EXTENSIONS

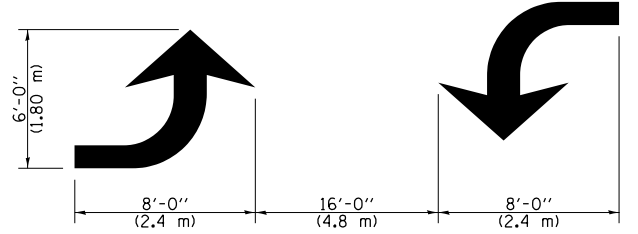


CROSSWALK DETAIL (DECATUR CITY LIMITS ONLY)



LEFT ARROW

REVERSE FOR RIGHT ARROW
AREA = 15.6 SQ. FT. (1.47 m²)
(WHITE)



TYPICAL DOUBLE TURN ARROWS (WHITE)

NOT TO SCALE

Note: All dimensions are in INCHES (millimeters) unless otherwise shown.

USER NAME = elif.uilger	DESIGNED -	REVISED -
PLOT SCALE = 2.0000' / in.	DRAWN -	REVISED -
PLOT DATE = 4/27/2021	CHECKED -	REVISED -
	DATE -	REVISED -

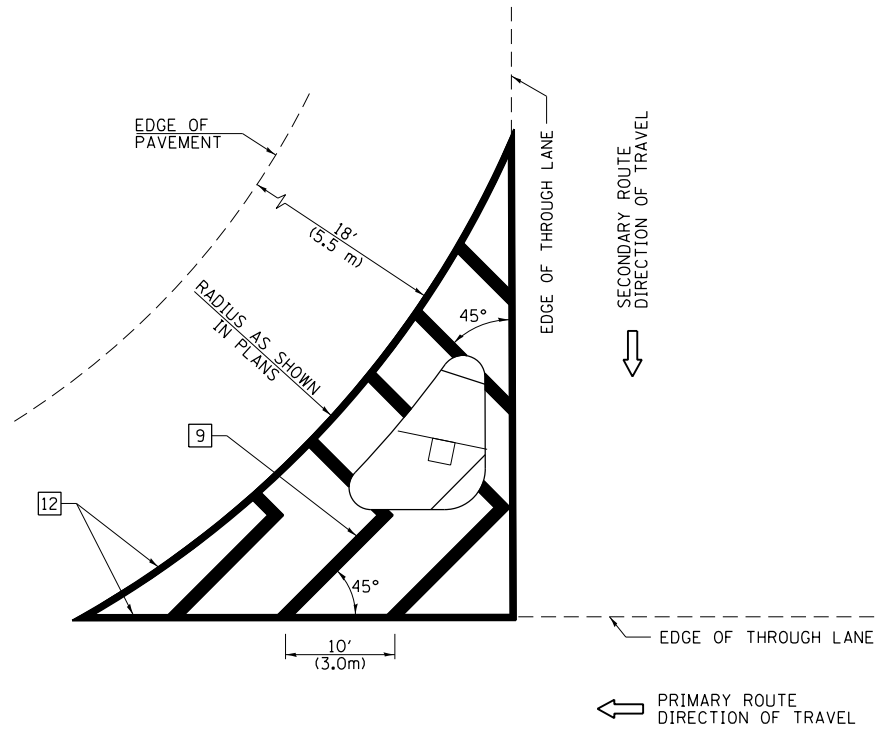
**STATE OF ILLINOIS
DEPARTMENT OF TRANSPORTATION**

**PAVEMENT MARKING AND RAISED REFLECTIVE PAVEMENT MARKERS
(RURAL & URBAN APPLICATIONS)**

SCALE: N/A SHEET NO. 2 OF 4 SHEETS STA. TO STA.

DISTRICT 7 DETAIL NO. 78000001				
F.A. RTE.	SECTION	COUNTY	TOTAL SHEETS	SHEET NO.
744B	09-00933-01-BR	MACON	1019	749
CONTRACT NO.			95893	
ILLINOIS FED. AID PROJECT				

ISLAND

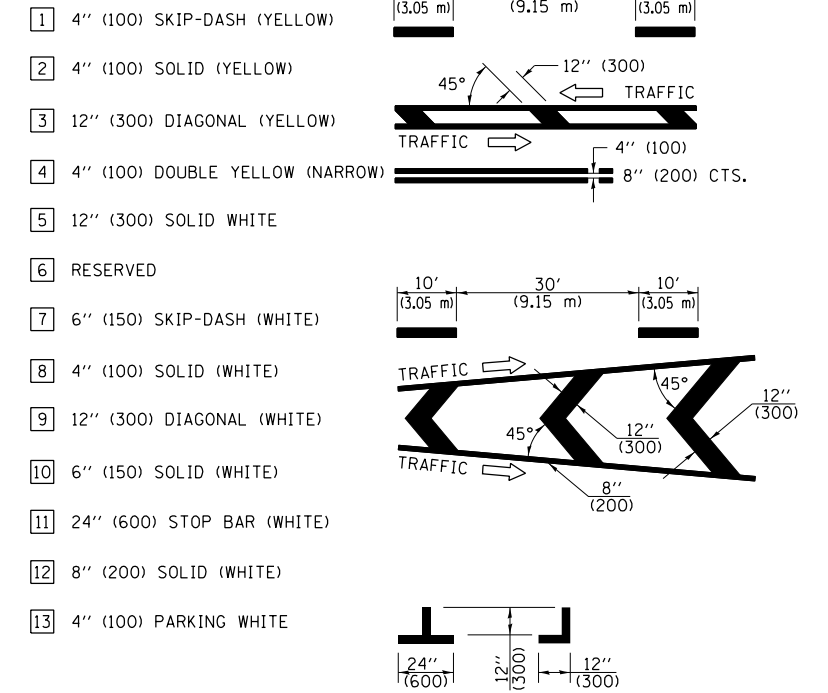


GENERAL NOTES

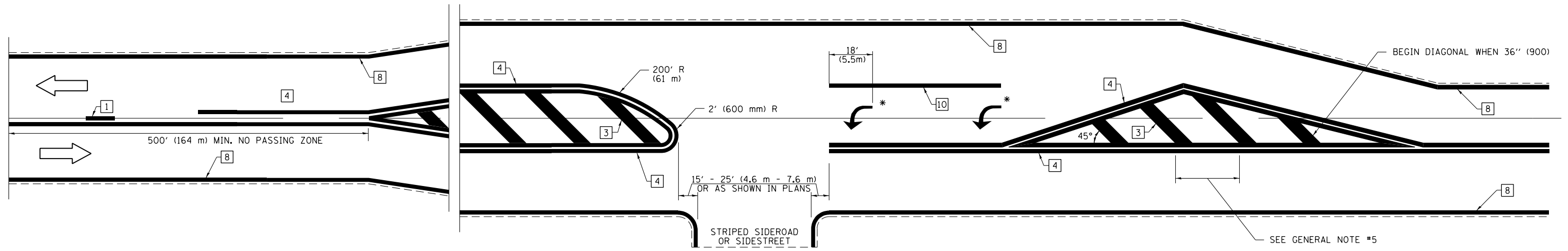
1. RAISED AND CORRUGATED MEDIANS SHALL BE OUTLINED WITH [2] IF PRESENT.
2. SOME OF THE INFORMATION INCLUDED WITH THIS DETAIL MAY NOT BE APPLICABLE TO THIS IMPROVEMENT.
3. PAVEMENT MARKINGS ARE TO BE EXTENDED THROUGH OMISSIONS WHEN APPLICABLE.
4. FINAL PAVEMENT MARKINGS SHALL BE IN PLACE PRIOR TO PLACING ANY RAISED REFLECTIVE PAVEMENT MARKERS.
5. THE FOLLOWING CRITERIA SHALL BE USED FOR SELECTING THE DIAGONAL PAVEMENT MARKING SPACING:

< 30 MPH (< 50 km/h)	15' (4.5 m)
30-45 MPH (50-75 km/h)	20' (6.0 m)
> 45 MPH (> 75 km/h)	30' (9.0 m)

PAVEMENT MARKING LEGEND



RURAL LEFT TURN STRIPING



* PLACE AN ARROW 18' (5.5 m) BACK FROM STOP BAR. PLACE ANOTHER ARROW EVEN WITH THE BEGINNING OF THE SOLID WHITE LINE. SPACE ADDITIONAL ARROWS EVENLY UP TO 80' (24.4 m) MAXIMUM SPACING. USE MINIMUM OF 2 ARROWS.

NOT TO SCALE
Note: All dimensions are in INCHES (millimeters) unless otherwise shown.

DISTRICT 7 DETAIL NO. 7800001

USER NAME = elif.uilger	DESIGNED -	REVISED -
	DRAWN -	REVISED -
PLOT SCALE = 2.0000' / in.	CHECKED -	REVISED -
PLOT DATE = 4/27/2021	DATE -	REVISED -

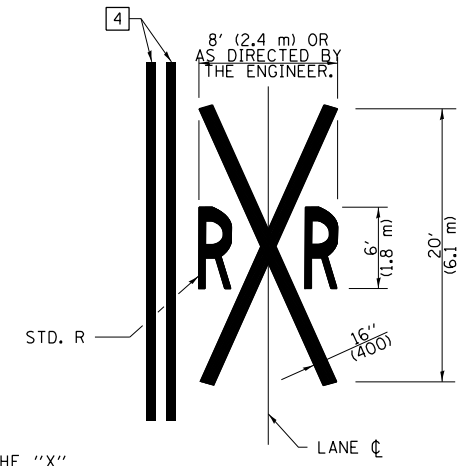
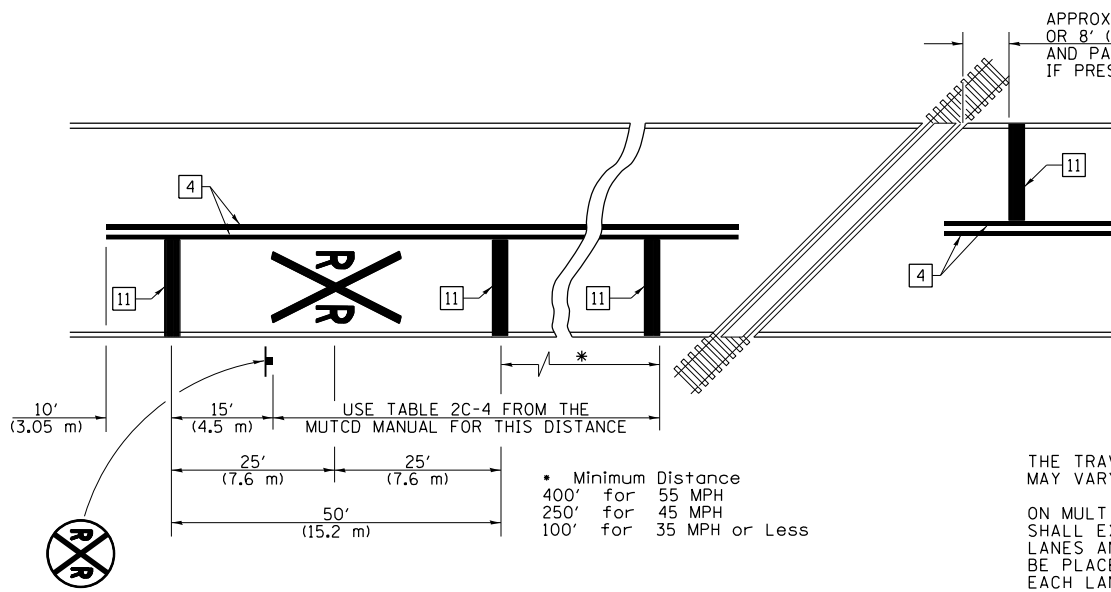
**STATE OF ILLINOIS
DEPARTMENT OF TRANSPORTATION**

**PAVEMENT MARKING AND RAISED REFLECTIVE PAVEMENT MARKERS
(RURAL & URBAN APPLICATIONS)**

SCALE: N/A SHEET NO. 3 OF 4 SHEETS STA. TO STA.

F.A. RTE.	SECTION	COUNTY	TOTAL SHEETS	SHEET NO.
744B	09-00933-01-BR	MACON	1019	750
CONTRACT NO.			95893	
ILLINOIS FED. AID PROJECT				

PAVEMENT MARKINGS AT RAILROAD-HIGHWAY GRADE CROSSING



NOTES

THE TRAVERSE SPREAD OF THE "X" MAY VARY ACCORDING TO LANE WIDTH.

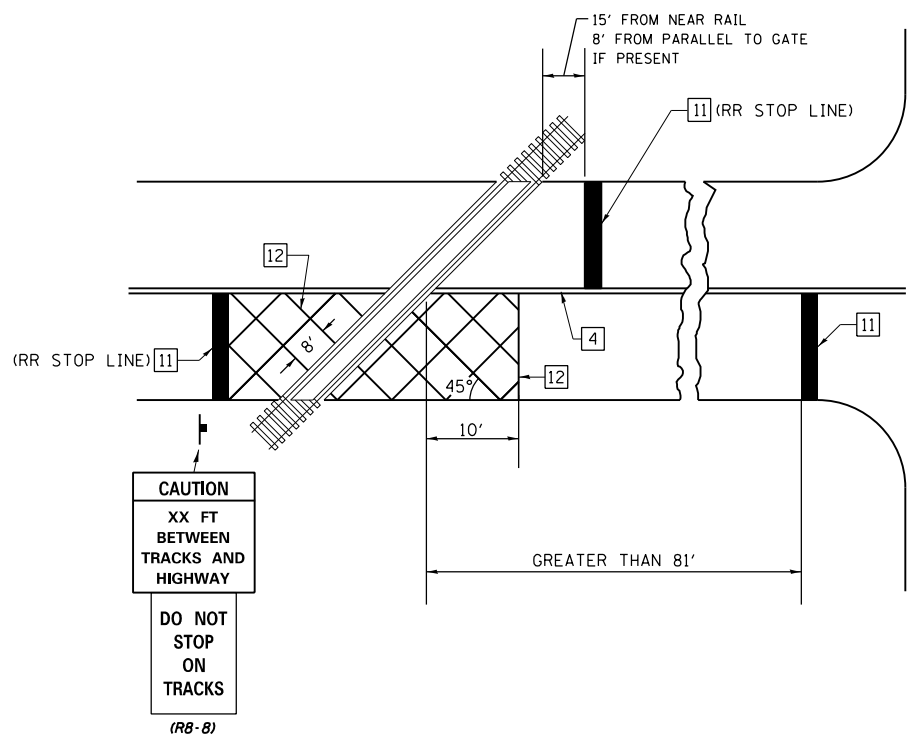
ON MULTI-LANE ROADS, THE STOP LINES SHALL EXTEND ACROSS ALL APPROACH LANES AND SEPARATE RXR SYMBOLS SHALL BE PLACED ADJACENT TO EACH OTHER IN EACH LANE.

WHEN THE PAVEMENT MARKING SYMBOL IS USED, A PORTION OF THE SYMBOL SHOULD BE LOCATED DIRECTLY ADJACENT TO THE ADVANCE WARNING SIGN (W10-1) AS PLACED BY TABLE II-1, CONDITION B OF THE MUTCD.

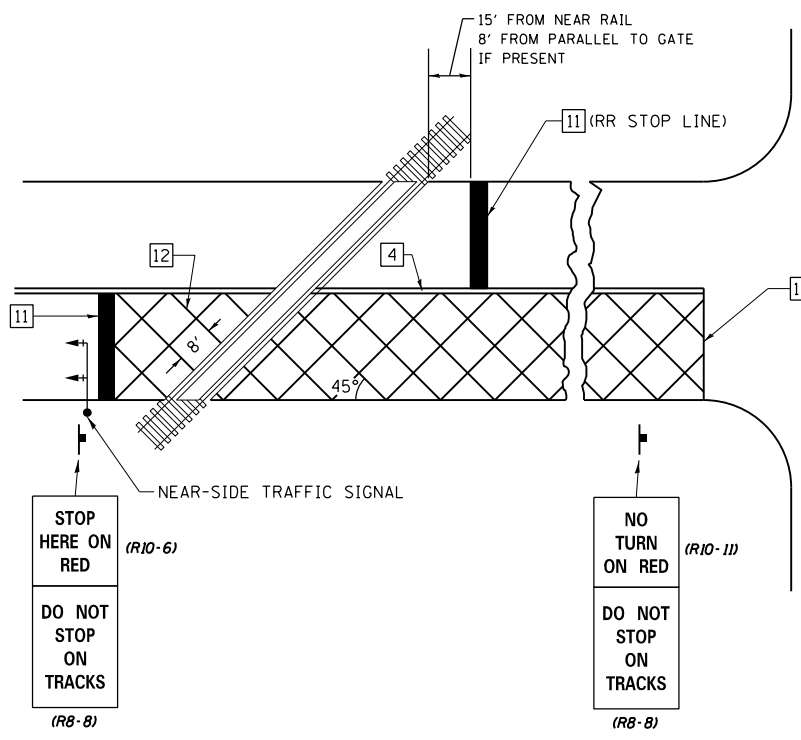
PAVEMENT MARKING LEGEND

- 1 4" (100) SKIP-DASH (YELLOW)
- 2 4" (100) SOLID (YELLOW)
- 3 12" (300) DIAGONAL (YELLOW)
- 4 4" (100) DOUBLE YELLOW (NARROW)
- 5 12" (300) SOLID WHITE
- 6 RESERVED
- 7 6" (150) SKIP-DASH (WHITE)
- 8 4" (100) SOLID (WHITE)
- 9 12" (300) DIAGONAL (WHITE)
- 10 6" (150) SOLID (WHITE)
- 11 24" (600) STOP BAR (WHITE)
- 12 8" (200) SOLID (WHITE)
- 13 4" (100) PARKING WHITE

RAILROAD CROSSING WITH INTERCONNECT ONLY



RAILROAD CROSSING WITH INTERCONNECT AND PRE-SIGNALS



GENERAL NOTES

1. SUPPLEMENTAL PAVEMENT MARKINGS TO BE INSTALLED ONLY ON APPROACHES TO INTERSECTIONS CONTROLLED BY TRAFFIC SIGNALS WHICH ARE INTERCONNECTED WITH THE RAILROAD WARNING SIGNALS.
2. EXTEND PAVEMENT MARKINGS TO THE INTERSECTION ONLY WHERE NEAR-SIDE TRAFFIC SIGNALS ARE USED.

SUPPLEMENTAL PAVEMENT MARKING TREATMENT FOR RAILROAD-HIGHWAY GRADE CROSSING

NOT TO SCALE

Note: All dimensions are in INCHES (millimeters) unless otherwise shown.

DISTRICT 7 DETAIL NO. 7800001

FILE NAME = p:\aecom\p\ben\lley\com\AECOM_DS16_NA\Documents\686802202-Brush_College\900-CAD_03_SHEETS\01_AECOM\Detail\686802202_SHT_D7_Detail_04.dgn

USER NAME = elif.uilger	DESIGNED -	REVISED -
PLOT SCALE = 2.0000' / in.	DRAWN -	REVISED -
PLOT DATE = 4/27/2021	CHECKED -	REVISED -
	DATE -	REVISED -

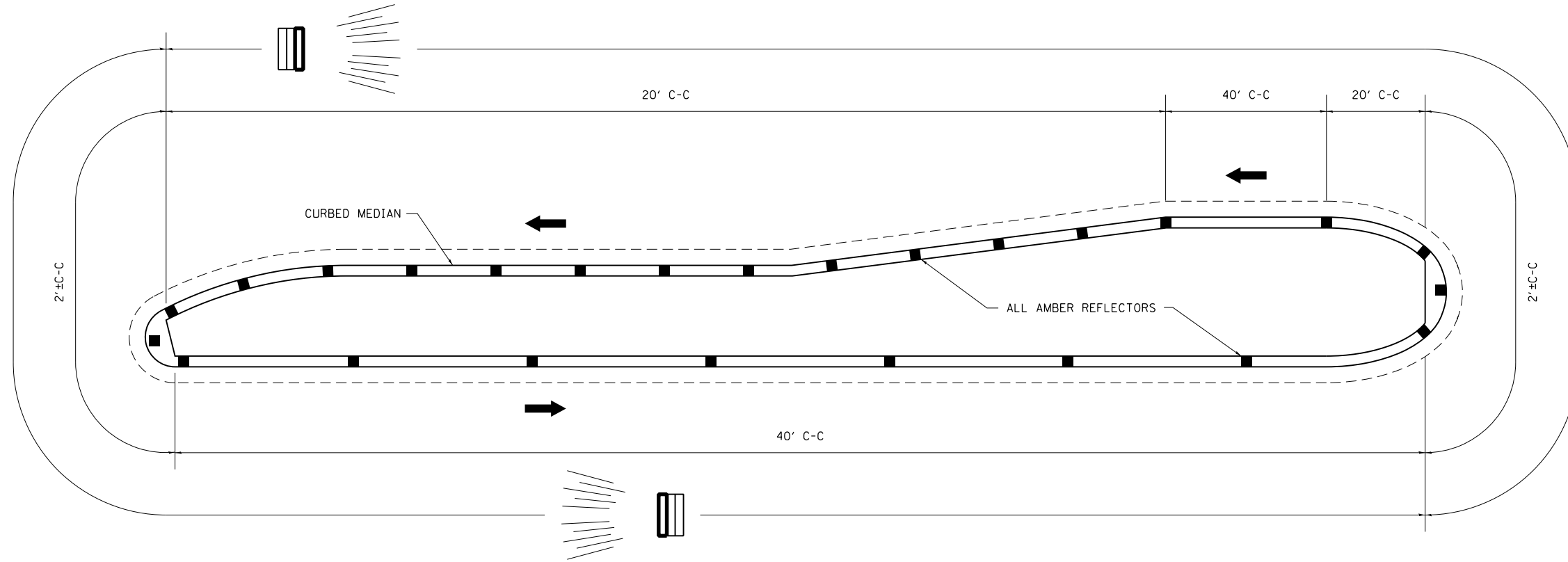
STATE OF ILLINOIS
DEPARTMENT OF TRANSPORTATION

PAVEMENT MARKING AND RAISED REFLECTIVE PAVEMENT MARKERS
(RURAL & URBAN APPLICATIONS)

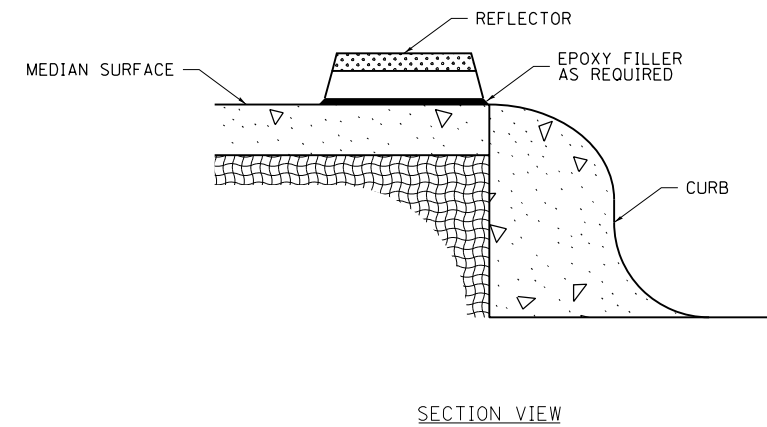
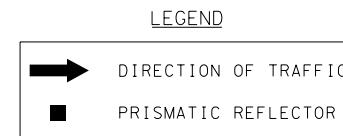
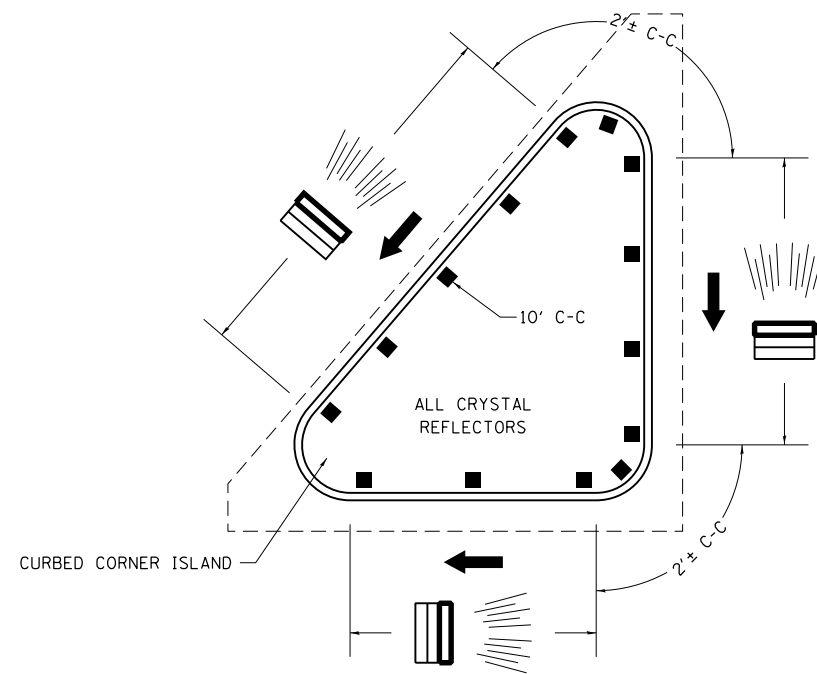
SCALE: N/A SHEET NO. 4 OF 4 SHEETS STA. TO STA.

F.A. RTE.	SECTION	COUNTY	TOTAL SHEETS	SHEET NO.
744B	09-00933-01-BR	MACON	1019	751
CONTRACT NO.			95893	
ILLINOIS FED. AID PROJECT				

TYPICAL PLACEMENT OF PRISMATIC CURB REFLECTORS



1. PRISMATIC REFLECTORS SHALL BE MONO-DIRECTIONAL AND POSITIONED SO THAT THE REFLECTIVE FACE IS FACING THE APPROACHING TRAFFIC.
2. PRISMATIC REFLECTORS SHALL BE SECURED IN PLACE WITH AN EPOXY ADHESIVE.
3. PRISMATIC REFLECTORS SHALL BE EITHER AMBER OR CRYSTAL IN COLOR.
4. REFER TO SCHEDULES FOR PRISMATIC REFLECTOR QUANTITIES.
5. USE A MINIMUM OF 3 REFLECTORS ON ISLAND NOSES.



NOT TO SCALE

DISTRICT 7 DETAIL NO. 78200300

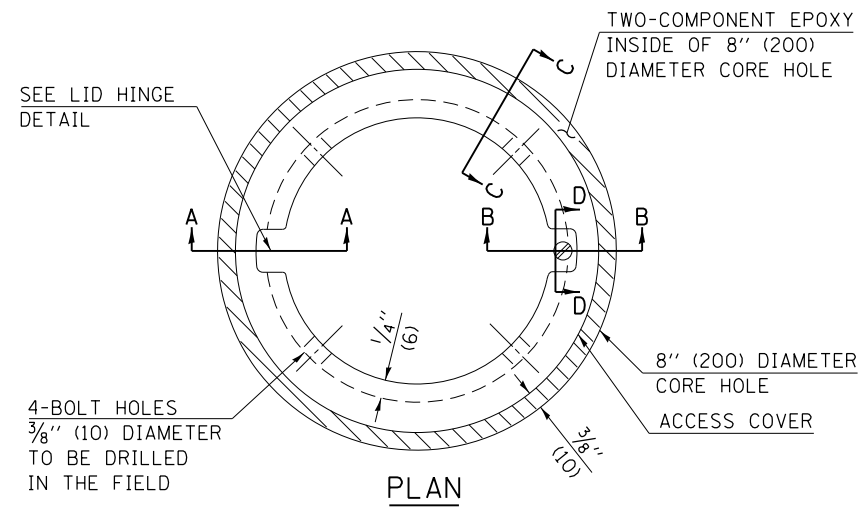
USER NAME = elif.uiger	DESIGNED -	REVISED -
	DRAWN -	REVISED -
PLOT SCALE = 2.0000' / in.	CHECKED -	REVISED -
PLOT DATE = 4/27/2021	DATE -	REVISED -

STATE OF ILLINOIS
DEPARTMENT OF TRANSPORTATION

PRISMATIC CURB REFLECTOR

SCALE: N/A SHEET NO. 1 OF 1 SHEETS STA. TO STA.

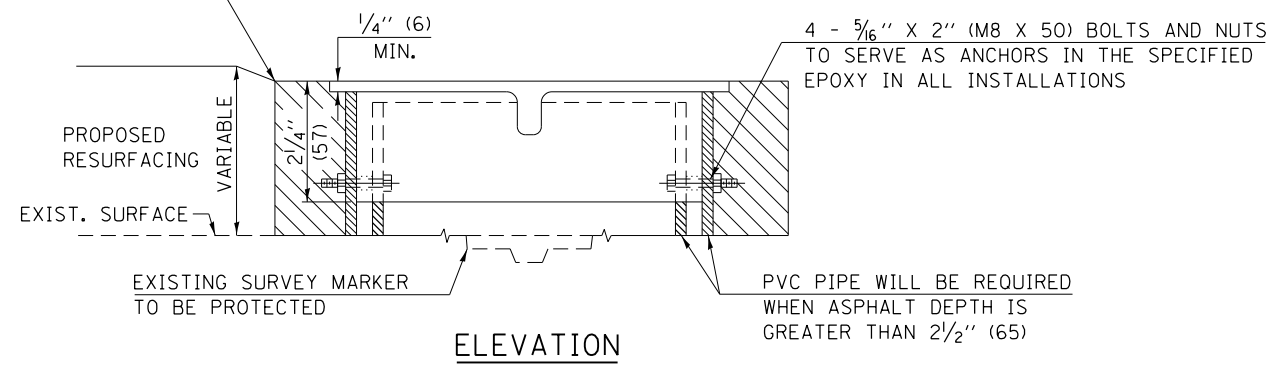
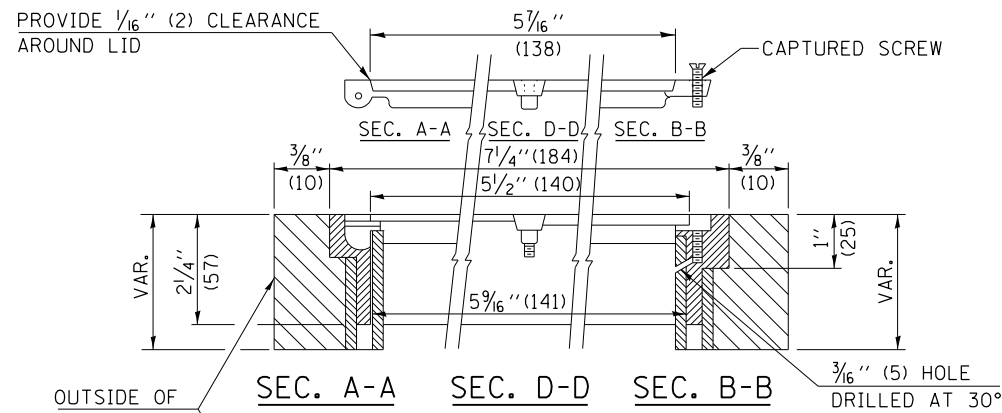
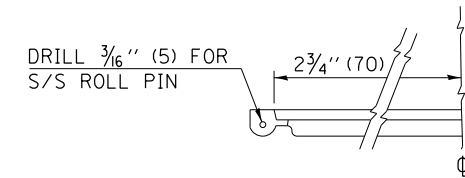
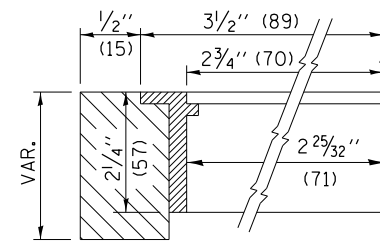
F.A. RTE.	SECTION	COUNTY	TOTAL SHEETS	SHEET NO.
744B	09-00933-01-BR	MACON	1019	752
CONTRACT NO. 95893				
FED. ROAD DIST. NO.		ILLINOIS FED. AID PROJECT		



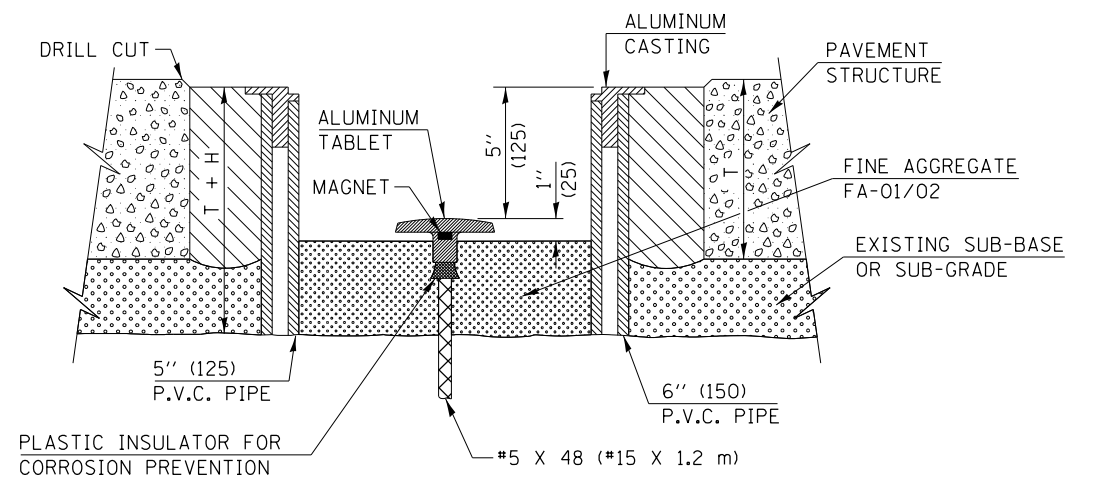
LEGEND

- ALUMINUM CASTING
- 5" (125) OR 6" (150) P.V.C. PIPE
- TWO-COMPONENT EPOXY
- T = THICKNESS OF PAVEMENT STRUCTURE
- H = THE THICKNESS OF THE SUB-BASE GRANULAR + 1" (25)

BILL OF MATERIAL	
ALUMINUM CASTING OF THE DIMENSIONS AND SPECIFICATIONS SHOWN OR OTHER SUBJECT TO ENGINEER'S APPROVAL OF SHOP DRAWINGS, 4 EACH - $\frac{5}{16}$ " X 2" (M8 X 50) BOLTS WITH NUTS, EPOXY, 5" OR 6" (125 mm OR 150 mm) DIAMETER P.V.C. PIPE, SCHEDULE 40 (WHEN REQUIRED).	



EXISTING SURVEY MARKER



PROPOSED SURVEY MARKER

NOT TO SCALE
 Note: All dimensions are in INCHES (millimeters) unless otherwise shown.

DISTRICT 7 DETAIL NO. 2007020

USER NAME = elif.uiger	DESIGNED -	REVISED - MAD 6-11
PLOT SCALE = 2.000' / in.	DRAWN -	REVISED -
PLOT DATE = 4/27/2021	CHECKED -	REVISED -
	DATE -	REVISED -

**STATE OF ILLINOIS
 DEPARTMENT OF TRANSPORTATION**

SURVEY MARKER VAULT

SCALE: N/A SHEET NO. 1 OF 1 SHEETS STA. TO STA.

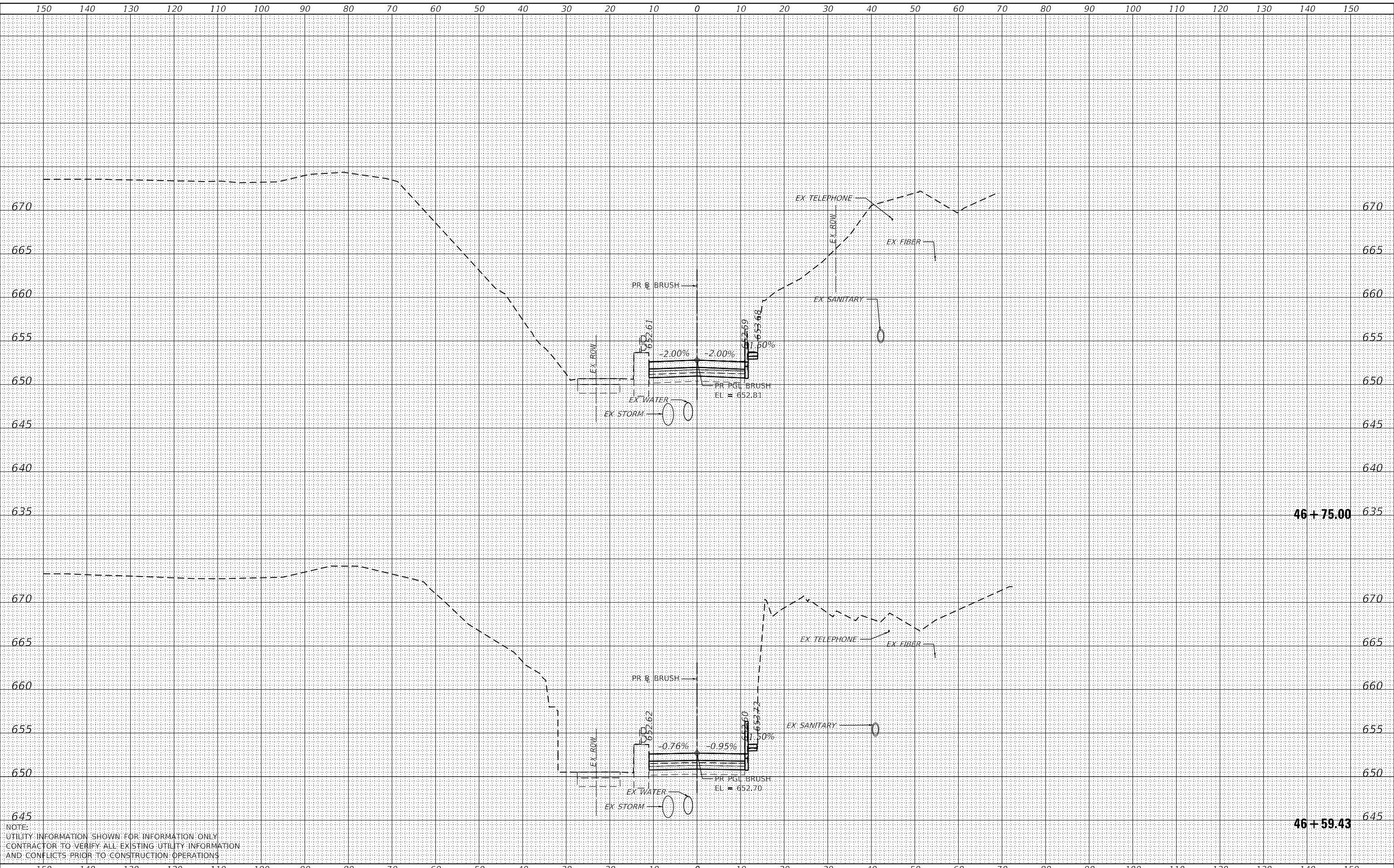
F.A. RTE.	SECTION	COUNTY	TOTAL SHEETS	SHEET NO.
744B	09-00933-01-BR	MACON	1019	752A
CONTRACT NO.			95893	
FED. ROAD DIST. NO.		ILLINOIS FED. AID PROJECT		

FILE NAME = p:\a\ecomm\p\ubentl\j\com\ECOM.DS16.NA\Documents\60603202-Brush College\900-CAD\GIS\910.CAD\03.SHEETS\01.AECOM\Details\60603202.SHT.D7.Detail-06.dgn
 p:\a\ecomm\p\ubentl\j\com\ECOM.DS16.NA\Documents\60603202-Brush College\900-CAD\GIS\910.CAD\03.SHEETS\01.AECOM\Details\60603202.SHT.D7.Detail-06.dgn

DATE	
BY	
SURVEYED	
PLOTTED	
TEMPLATE	
NOTE BOOK	
AREAS CHECKED	

DATE	
BY	
SURVEYED	
PLOTTED	
TEMPLATE	
NOTE BOOK	
AREAS CHECKED	

MODEL: Definit
 FILE NAME: D:\a\ecomp\m-h\shw\hobby\com\AECOM_D515\1\Documents\60603202-Brush\College09-CAD\03_SHEET501_AECOM\Cross_Section60603202_SHT_51_Brush.dgn



NOTE:
 UTILITY INFORMATION SHOWN FOR INFORMATION ONLY
 CONTRACTOR TO VERIFY ALL EXISTING UTILITY INFORMATION
 AND CONFLICTS PRIOR TO CONSTRUCTION OPERATIONS



USER NAME =	SearsB
DESIGNED -	LMB
DRAWN -	LMB
CHECKED -	WBS
DATE -	4/30/2021
REVISIONS	
REVISED -	
REVISED -	
REVISED -	

**STATE OF ILLINOIS
 DEPARTMENT OF TRANSPORTATION**

**BRUSH COLLEGE ROAD
 CROSS SECTIONS**

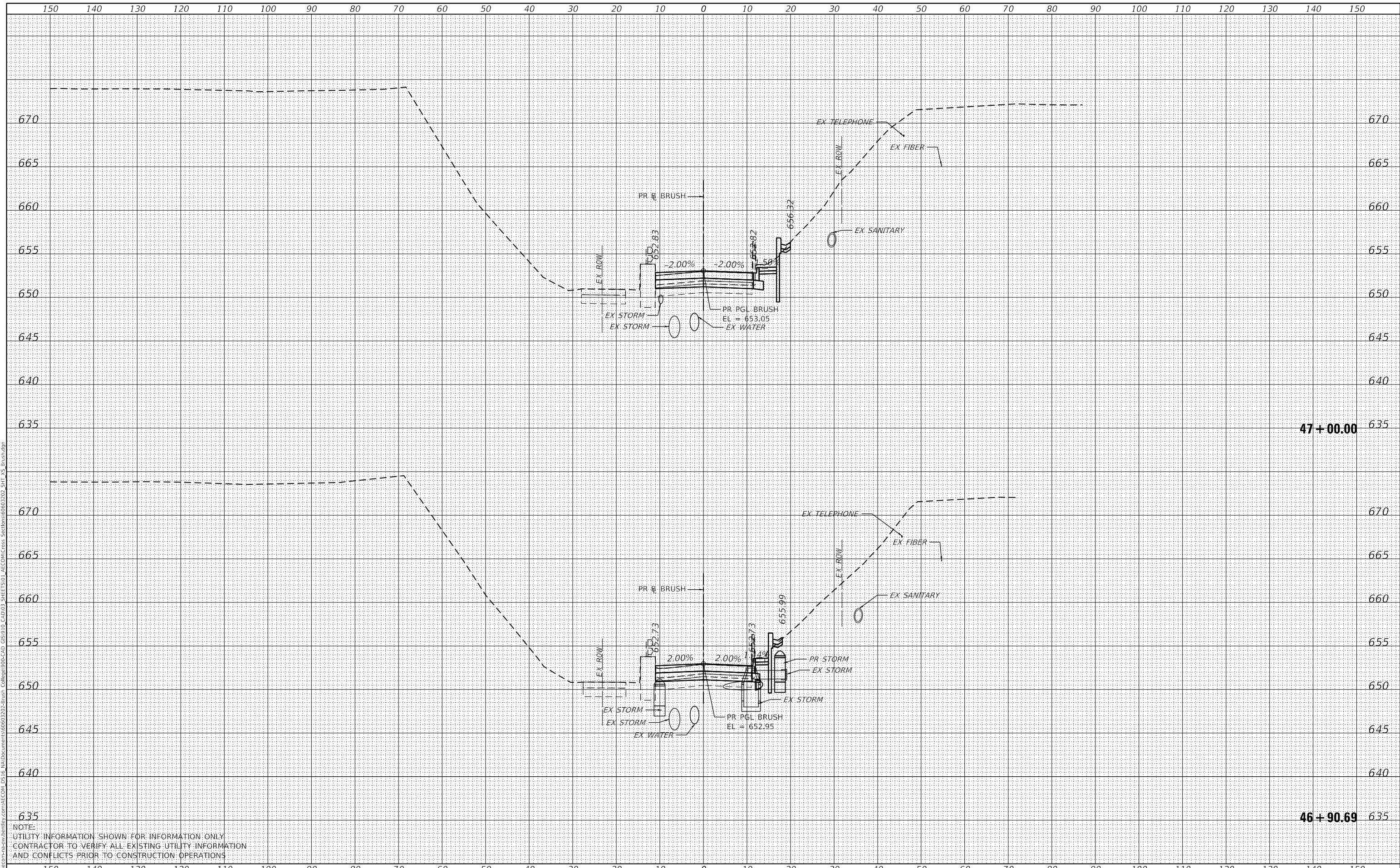
1"=10' H, 1"=5' V
 SCALE: SHEET 1 OF 73 SHEETS STA. 46+59.43 TO STA. 46+75.00

F.A.U. RTE.	SECTION	COUNTY	TOTAL SHEETS	SHEET NO.
7448	09-00933-01-BR	MACON	1019	753
CONTRACT NO. 95893				
ILLINOIS FED. AID PROJECT				

DATE	
BY	
FINAL SURVEY	SURVEYED
NOTE BOOK	PLOTTED
NO.	TEMPLATE
	AREAS CHECKED

DATE	
BY	
ORIGINAL SURVEY	SURVEYED
NOTE BOOK	PLOTTED
NO.	TEMPLATE
	AREAS CHECKED

MODEL: Definit
 FILE NAME: D:\aecom\m-h-bentley.com\AECOM_D515\IADocuments\0903302\Brush College\0903302_SHT_46+90.69.dwg
 SHEET501.AECOM.Cross Sections\0903302_SHT_46+90.69.dwg



NOTE:
 UTILITY INFORMATION SHOWN FOR INFORMATION ONLY
 CONTRACTOR TO VERIFY ALL EXISTING UTILITY INFORMATION
 AND CONFLICTS PRIOR TO CONSTRUCTION OPERATIONS



USER NAME =	SearsB
DESIGNED -	LMB
DRAWN -	LMB
CHECKED -	WBS
DATE -	4/30/2021

REVISED -	
REVISED -	
REVISED -	
REVISED -	

STATE OF ILLINOIS
 DEPARTMENT OF TRANSPORTATION

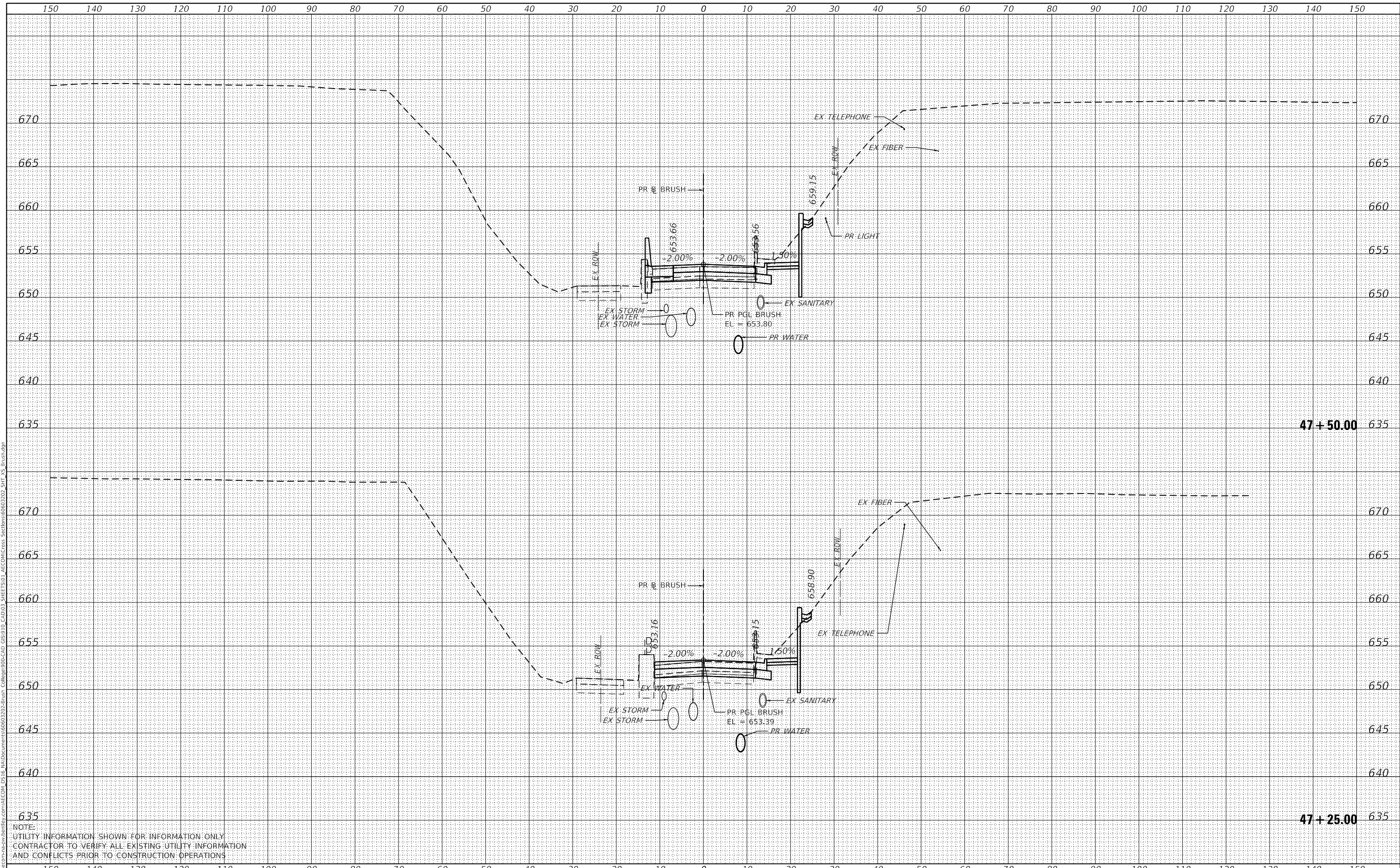
BRUSH COLLEGE ROAD
 CROSS SECTIONS
 1"=10' H, 1"=5' V
 SCALE: SHEET 2 OF 73 SHEETS STA. 46+90.69 TO STA. 47+00.00

F.A.U. RTE.	SECTION	COUNTY	TOTAL SHEETS	SHEET NO.
7448	09-00933-01-BR	MACON	1019	754
CONTRACT NO. 95893				
ILLINOIS FED. AID PROJECT				

DATE	
BY	
FINAL SURVEY	SURVEYED
NOTE BOOK	PLOTTED
NO.	TEMPLATE
	AREAS CHECKED

DATE	
BY	
ORIGINAL SURVEY	SURVEYED
NOTE BOOK	PLOTTED
NO.	TEMPLATE
	AREAS CHECKED

MODEL: Definit
 FILE NAME: D:\a\ecomp\m-h\shw\hobby\com\AECOM_D515\I\Documents\60603202-Brush\Collage\90-Cross_Section\60603202_SHT_US_Brush.dgn



NOTE:
 UTILITY INFORMATION SHOWN FOR INFORMATION ONLY
 CONTRACTOR TO VERIFY ALL EXISTING UTILITY INFORMATION
 AND CONFLICTS PRIOR TO CONSTRUCTION OPERATIONS



USER NAME =	SearsB
DESIGNED -	LMB
DRAWN -	LMB
CHECKED -	WBS
DATE -	4/30/2021

REVISED -	
REVISED -	
REVISED -	
REVISED -	

STATE OF ILLINOIS
 DEPARTMENT OF TRANSPORTATION

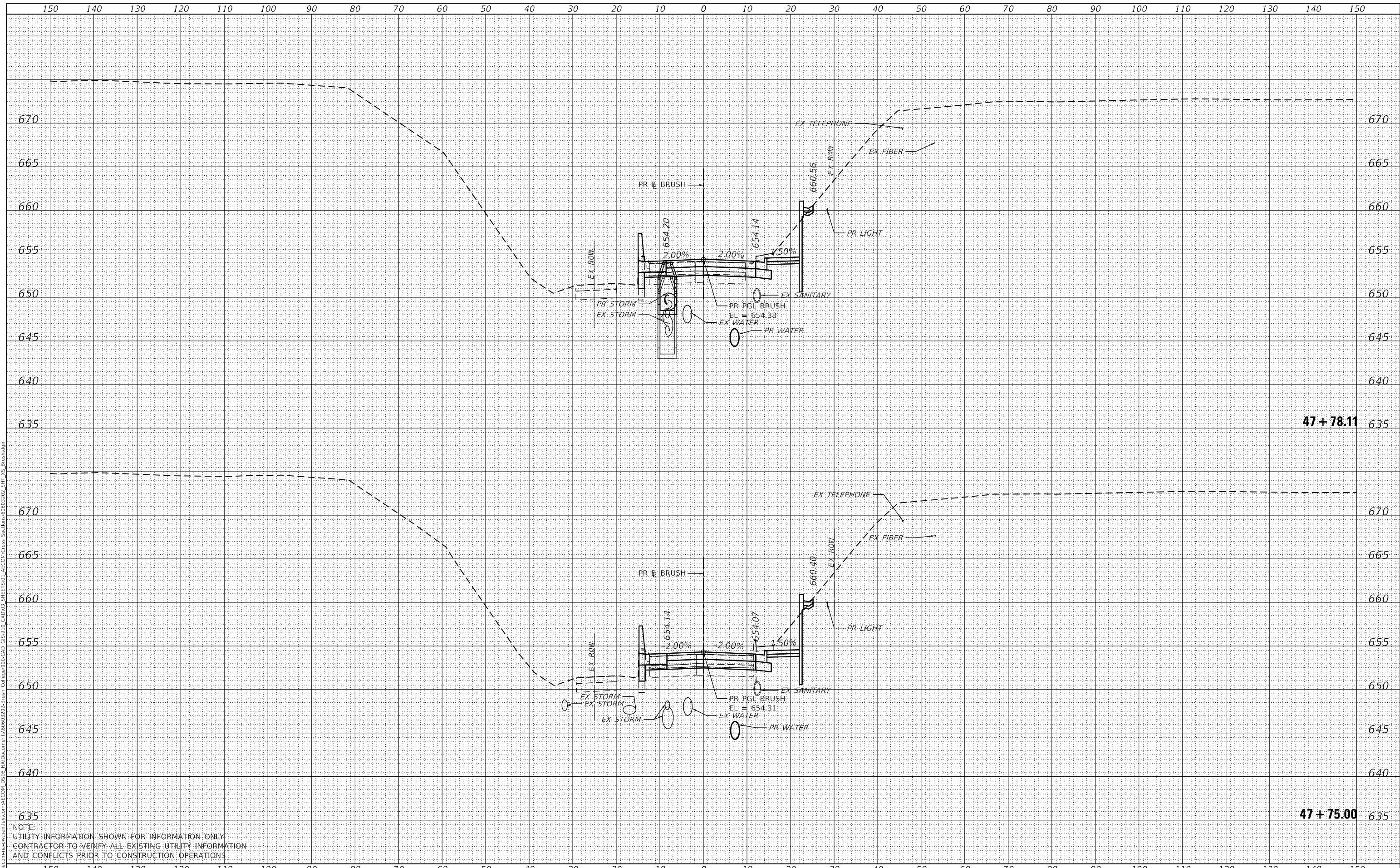
BRUSH COLLEGE ROAD
 CROSS SECTIONS
 1"=10' H, 1"=5' V
 SCALE: SHEET 3 OF 73 SHEETS STA. 47+25.00 TO STA. 47+50.00

F.A.U. RTE.	SECTION	COUNTY	TOTAL SHEETS	SHEET NO.
7448	09-00933-01-BR	MACON	1019	755
CONTRACT NO. 95893				
ILLINOIS FED. AID PROJECT				

DATE	
BY	
FINAL SURVEY	SURVEYED
NOTE BOOK	PLOTTED
NO.	TEMPLATE
	AREAS CHECKED

DATE	
BY	
ORIGINAL SURVEY	SURVEYED
NOTE BOOK	PLOTTED
NO.	TEMPLATE
	AREAS CHECKED

MODEL: Definit
 FILE NAME: D:\a\ecomp\m-h\shw\hobby\com\AECOM_D515\I\Documents\9093202-Brush\Collage\9093202-Brush\AECOM\Cross Sections\9093202_SHT_US_Brush.dgn



NOTE:
 UTILITY INFORMATION SHOWN FOR INFORMATION ONLY
 CONTRACTOR TO VERIFY ALL EXISTING UTILITY INFORMATION
 AND CONFLICTS PRIOR TO CONSTRUCTION OPERATIONS



USER NAME	= SearsB
DESIGNED	- LMB
DRAWN	- LMB
CHECKED	- WBS
DATE	- 4/30/2021
PLOT SCALE	= 20.0000 ' / in.
PLOT DATE	= 5/5/2021

REVISED	-
REVISED	-
REVISED	-
REVISED	-

STATE OF ILLINOIS
 DEPARTMENT OF TRANSPORTATION

1"=10' H, 1"=5' V
 SCALE:

BRUSH COLLEGE ROAD
 CROSS SECTIONS

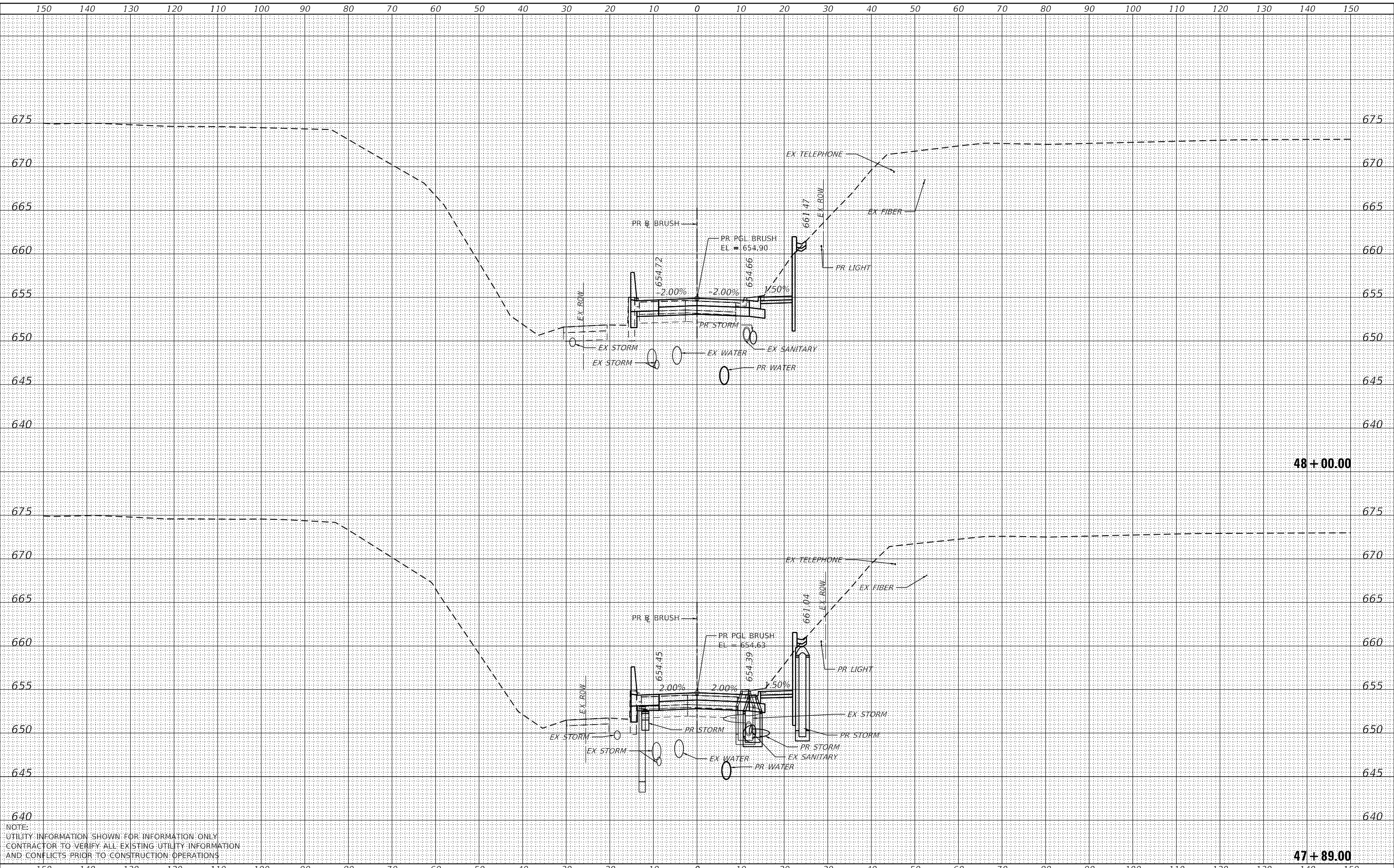
SHEET 4 OF 73 SHEETS STA. 47+75.00 TO STA. 47+78.11

F.A.U. RTE.	SECTION	COUNTY	TOTAL SHEETS	SHEET NO.
7448	09-00933-01-BR	MACON	1019	756
CONTRACT NO. 95893				
ILLINOIS FED. AID PROJECT				

DATE	
BY	
FINAL SURVEY	SURVEYED
NOTE BOOK	PLOTTED
NO.	TEMPLATE
	AREAS CHECKED

DATE	
BY	
ORIGINAL SURVEY	SURVEYED
NOTE BOOK	PLOTTED
NO.	TEMPLATE
	AREAS CHECKED

MODEL: Default
 FILE NAME: D:\a\ecomp\m-h\shw\hobby\com\AECOM_D515\1\1\Documents\60603202-Brush\Collage\90-Cross_Section\60603202_SHT_US_Brush.dgn



NOTE:
 UTILITY INFORMATION SHOWN FOR INFORMATION ONLY
 CONTRACTOR TO VERIFY ALL EXISTING UTILITY INFORMATION
 AND CONFLICTS PRIOR TO CONSTRUCTION OPERATIONS



USER NAME =	SearsB
DESIGNED -	LMB
DRAWN -	LMB
CHECKED -	WBS
DATE -	4/30/2021

REVISED -	
REVISED -	
REVISED -	
REVISED -	

STATE OF ILLINOIS
 DEPARTMENT OF TRANSPORTATION

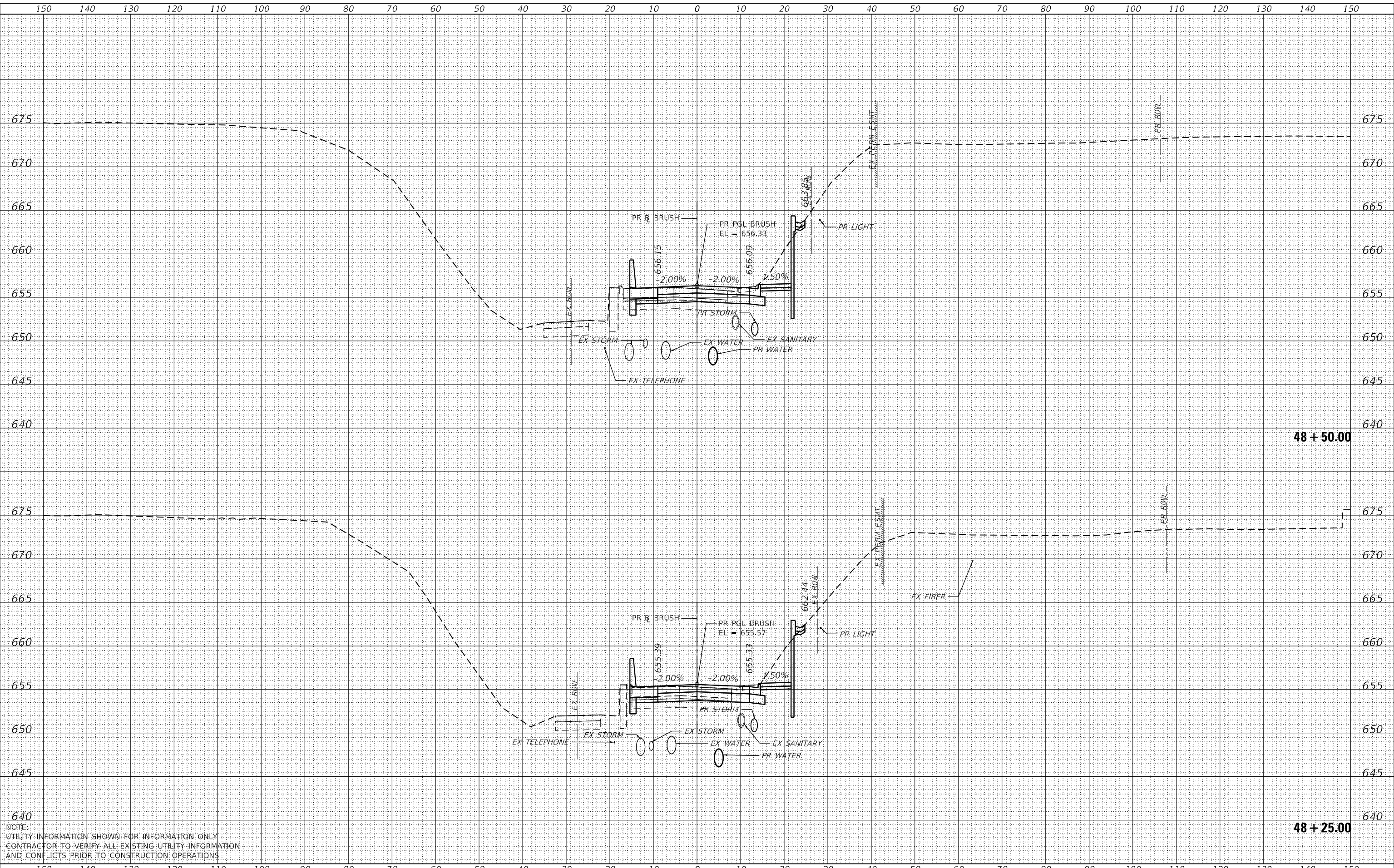
BRUSH COLLEGE ROAD
 CROSS SECTIONS
 1"=10' H, 1"=5' V
 SCALE: SHEET 5 OF 73 SHEETS STA. 47+89.00 TO STA. 48+00.00

F.A.U. RTE.	SECTION	COUNTY	TOTAL SHEETS	SHEET NO.
7448	09-00933-01-BR	MACON	1019	757
CONTRACT NO. 95893				
ILLINOIS FED. AID PROJECT				

DATE	
BY	
FINAL SURVEY	SURVEYED
NOTE BOOK	PLOTTED
NO.	TEMPLATE
	AREAS CHECKED

DATE	
BY	
ORIGINAL SURVEY	SURVEYED
NOTE BOOK	PLOTTED
NO.	TEMPLATE
	AREAS CHECKED

MODEL: Default
 FILE NAME: D:\a\ecomp\m-h\shw\hobby\com\AECOM_D515\10\Documents\80603202-Brush\College09-CAD\GIS910_CAD\03_SHEET501_AECOM\Cross_Section80603202_SHT_50_Brush.dwg



NOTE:
 UTILITY INFORMATION SHOWN FOR INFORMATION ONLY
 CONTRACTOR TO VERIFY ALL EXISTING UTILITY INFORMATION
 AND CONFLICTS PRIOR TO CONSTRUCTION OPERATIONS



USER NAME	= SearsB
DESIGNED	- LMB
DRAWN	- LMB
CHECKED	- WBS
DATE	- 4/30/2021

REVISED	-
REVISED	-
REVISED	-
REVISED	-

STATE OF ILLINOIS
 DEPARTMENT OF TRANSPORTATION

1"=10' H, 1"=5' V
 SCALE:

BRUSH COLLEGE ROAD
 CROSS SECTIONS

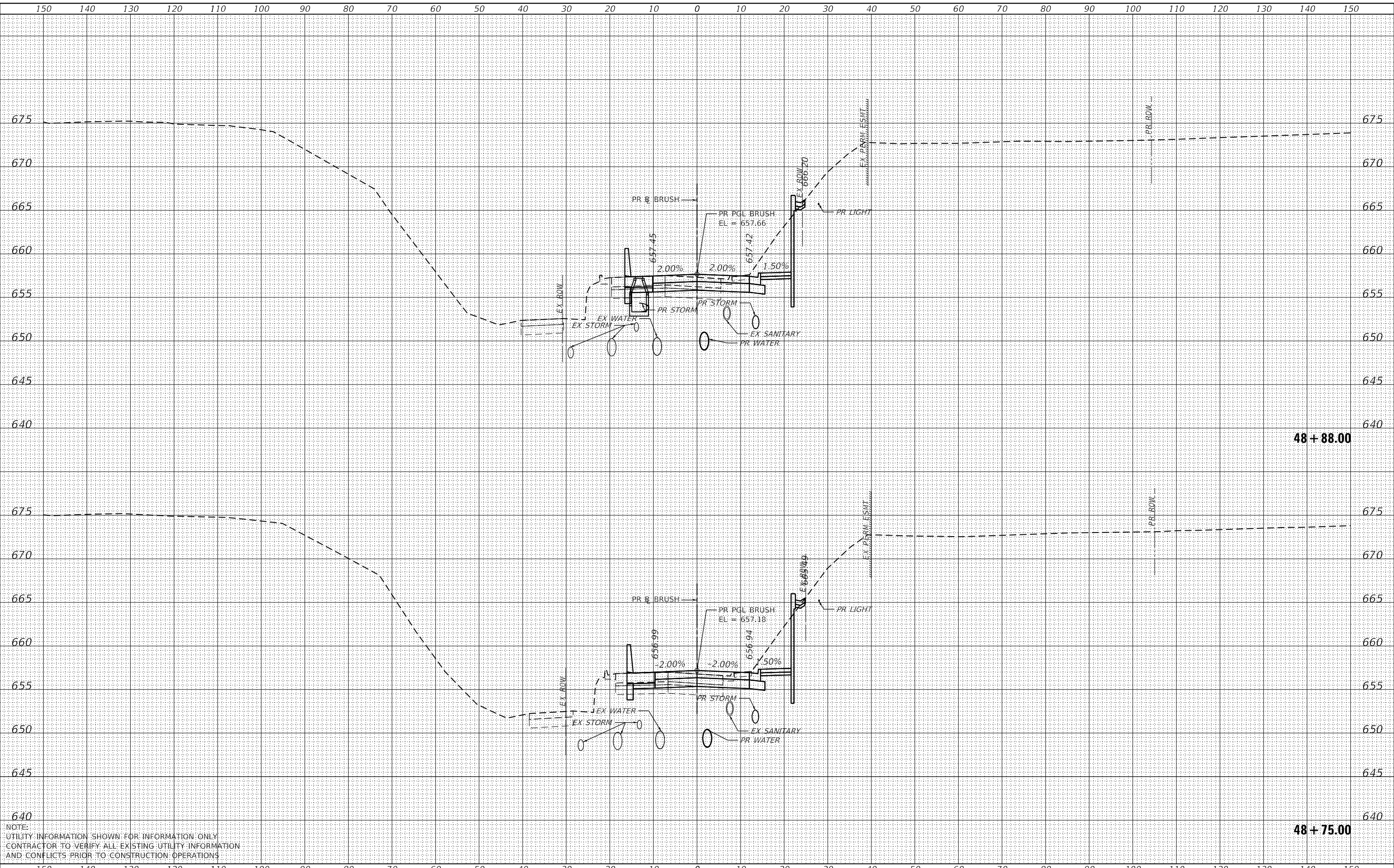
SHEET 6 OF 73 SHEETS STA. 48+25.00 TO STA. 48+50.00

F.A.U. RTE.	SECTION	COUNTY	TOTAL SHEETS	SHEET NO.
7448	09-00933-01-BR	MACON	1019	758
CONTRACT NO. 95893				
ILLINOIS FED. AID PROJECT				

DATE	
BY	
FINAL SURVEY	SURVEYED
NOTE BOOK	PLOTTED
NO.	TEMPLATE
	AREAS CHECKED

DATE	
BY	
ORIGINAL SURVEY	SURVEYED
NOTE BOOK	PLOTTED
NO.	TEMPLATE
	AREAS CHECKED

MODEL: Definit
 FILE NAME: D:\a\ecomp\p\m\shenley\com\AECOM_D\15\11\Documents\8003202\Brush\College09-CA0 GIS910_CAD\03_SHEETS\01_AECOM\Cross Sections\8003202_SHT_US_Brush.dgn



NOTE:
 UTILITY INFORMATION SHOWN FOR INFORMATION ONLY
 CONTRACTOR TO VERIFY ALL EXISTING UTILITY INFORMATION
 AND CONFLICTS PRIOR TO CONSTRUCTION OPERATIONS



USER NAME	= SearsB
DESIGNED	- LMB
DRAWN	- LMB
CHECKED	- WBS
DATE	- 4/30/2021

REVISED	-
REVISED	-
REVISED	-
REVISED	-

STATE OF ILLINOIS
 DEPARTMENT OF TRANSPORTATION

1"=10' H, 1"=5' V	
SCALE:	SHEET 7 OF 73 SHEETS
STA. 48+75.00 TO STA. 48+88.00	

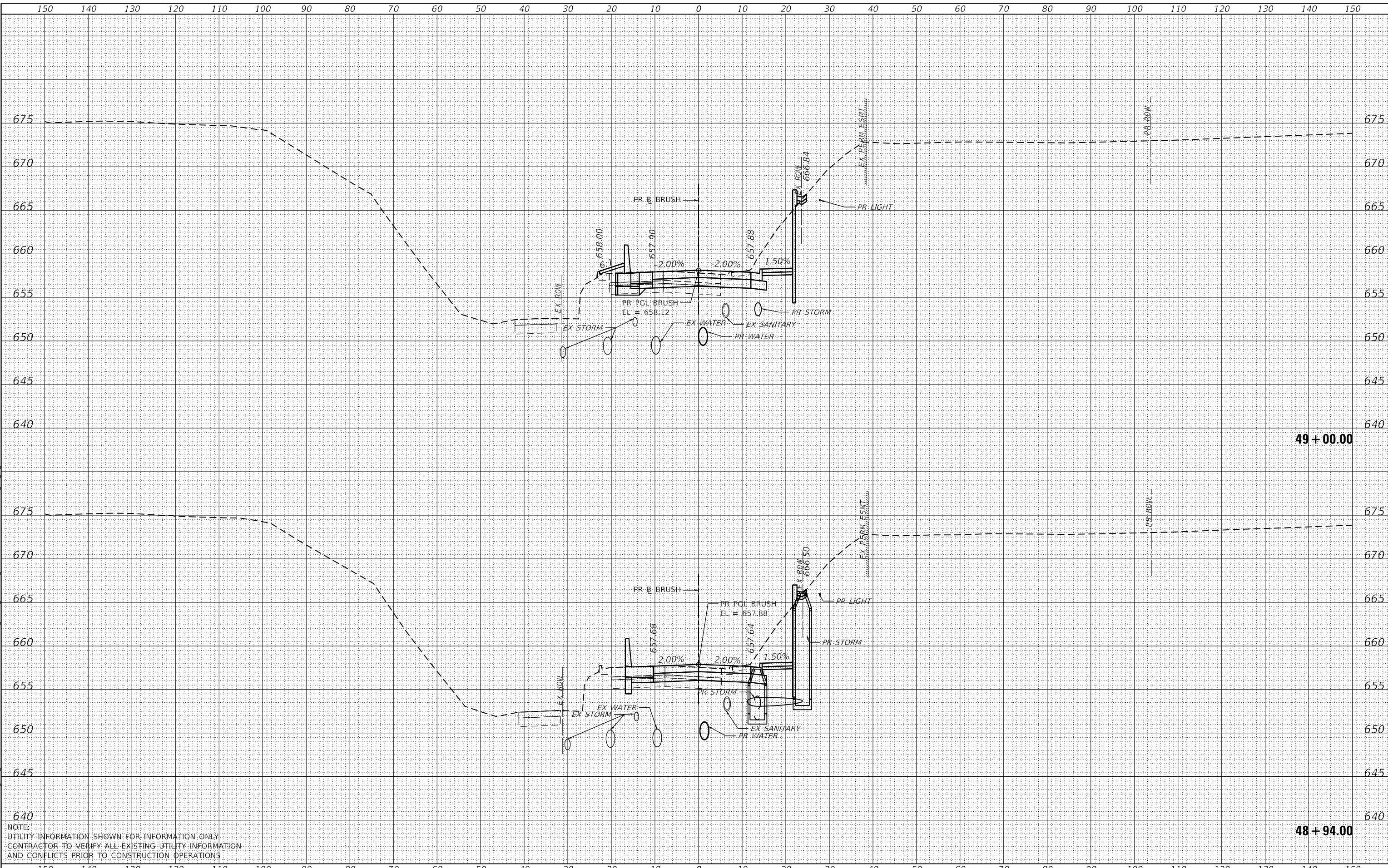
BRUSH COLLEGE ROAD
 CROSS SECTIONS

F.A.U. RTE.	SECTION	COUNTY	TOTAL SHEETS	SHEET NO.
7448	09-00933-01-BR	MACON	1019	759
CONTRACT NO. 95893				
ILLINOIS FED. AID PROJECT				

DATE
BY
FINAL SURVEY
SURVEYED
PLOTTED
TEMPLATE
NOTE BOOK
AREAS CHECKED
NO.

DATE
BY
ORIGINAL SURVEY
SURVEYED
PLOTTED
TEMPLATE
NOTE BOOK
AREAS CHECKED
NO.

MODEL: Definit
FILE NAME: D:\a\iacom\p-w\hendley\com\AECOM_D515_I\Documents\80603202-Brusht\CollegeRD-CAD_GIS\910_CAD\03_SHEETS\01_AECOM\Cross_Section\80603202_SHT_US_Brush.dwg



NOTE:
UTILITY INFORMATION SHOWN FOR INFORMATION ONLY
CONTRACTOR TO VERIFY ALL EXISTING UTILITY INFORMATION
AND CONFLICTS PRIOR TO CONSTRUCTION OPERATIONS



USER NAME =	SearsB
DESIGNED -	LMB
DRAWN -	LMB
PLLOT SCALE =	20.0000' / in.
PLLOT DATE =	5/5/2021
CHECKED -	WBS
DATE -	4/30/2021

REVISED -
REVISED -
REVISED -
REVISED -

STATE OF ILLINOIS
DEPARTMENT OF TRANSPORTATION

BRUSH COLLEGE ROAD
CROSS SECTIONS

1"=10' H, 1"=5' V
SCALE:

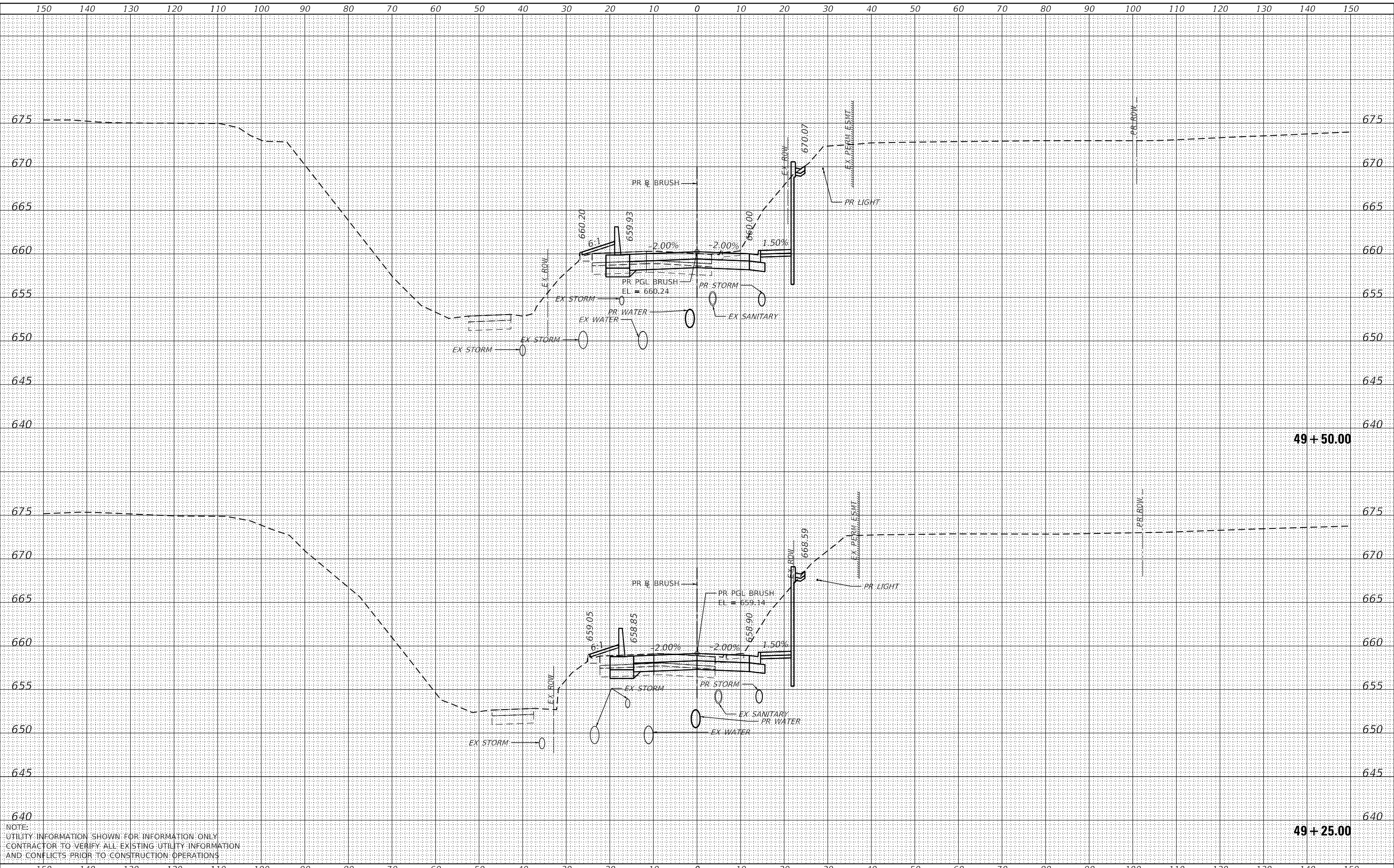
SHEET 8 OF 73 SHEETS
STA. 48+94.00 TO STA. 49+00.00

F.A.U. RTE.	SECTION	COUNTY	TOTAL SHEETS	SHEET NO.
7448	09-00933-01-BR	MACON	1019	760
CONTRACT NO. 95893				
ILLINOIS FED. AID PROJECT				

DATE	
BY	
SURVEYED	
PLOTTED	
TEMPLATE	
NOTE BOOK	
AREAS CHECKED	
NO.	

DATE	
BY	
SURVEYED	
PLOTTED	
TEMPLATE	
NOTE BOOK	
AREAS CHECKED	
NO.	

MODEL: Definit
 FILE NAME: D:\a\ecomp\m-h\sw\hobby\com\AECOM_D5\B\W\Documents\090933\02-Brush\Collage\90-Cross_Section\09-Cross_Section\090933\02_SHT_US_Brush.dwg



NOTE:
 UTILITY INFORMATION SHOWN FOR INFORMATION ONLY
 CONTRACTOR TO VERIFY ALL EXISTING UTILITY INFORMATION
 AND CONFLICTS PRIOR TO CONSTRUCTION OPERATIONS



USER NAME =	SearsB
DESIGNED -	LMB
DRAWN -	LMB
CHECKED -	WBS
DATE -	4/30/2021

REVISED -	
REVISED -	
REVISED -	
REVISED -	

STATE OF ILLINOIS
 DEPARTMENT OF TRANSPORTATION

1"=10' H, 1"=5' V
 SCALE:

BRUSH COLLEGE ROAD
 CROSS SECTIONS

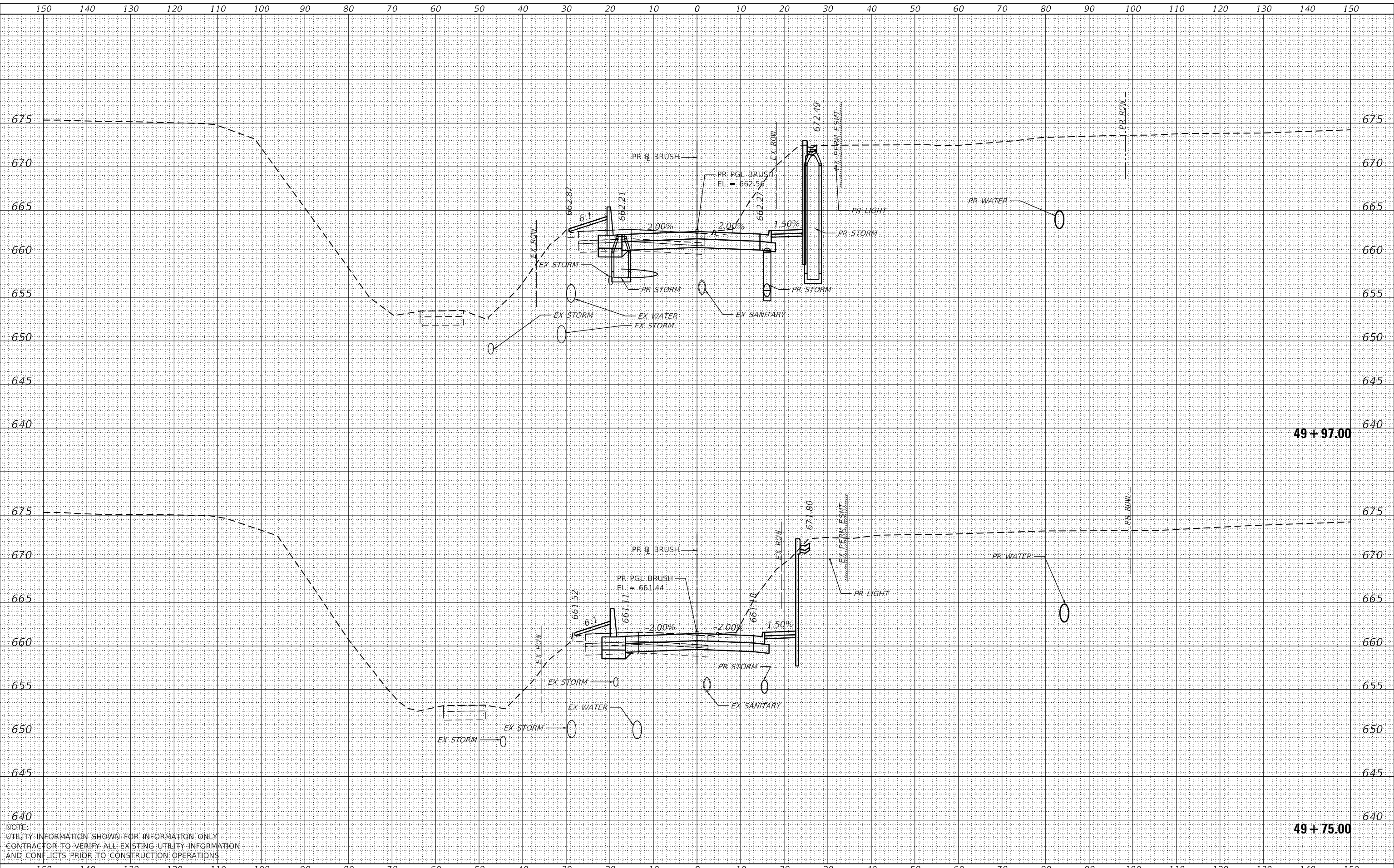
SHEET 9 OF 73 SHEETS STA. 49+25.00 TO STA. 49+50.00

F.A.U. RTE.	SECTION	COUNTY	TOTAL SHEETS	SHEET NO.
7448	09-00933-01-BR	MACON	1019	761
CONTRACT NO. 95893				
ILLINOIS FED. AID PROJECT				

DATE	
BY	
FINAL SURVEY	SURVEYED
NOTE BOOK	PLOTTED
NO.	TEMPLATE
	AREAS CHECKED

DATE	
BY	
ORIGINAL SURVEY	SURVEYED
NOTE BOOK	PLOTTED
NO.	TEMPLATE
	AREAS CHECKED

MODEL: Definit
 FILE NAME: D:\a\ecomp\m-h\m-h\brush\brush\College09-01-2021\AECOM\Drawings\09-01-2021_SHT_49-Brush.dwg



NOTE:
 UTILITY INFORMATION SHOWN FOR INFORMATION ONLY
 CONTRACTOR TO VERIFY ALL EXISTING UTILITY INFORMATION
 AND CONFLICTS PRIOR TO CONSTRUCTION OPERATIONS



USER NAME	= SearsB
DESIGNED	- LMB
DRAWN	- LMB
CHECKED	- WBS
DATE	- 4/30/2021

REVISED	-
REVISED	-
REVISED	-
REVISED	-

STATE OF ILLINOIS
 DEPARTMENT OF TRANSPORTATION

1"=10' H, 1"=5' V
 SCALE:

BRUSH COLLEGE ROAD
 CROSS SECTIONS

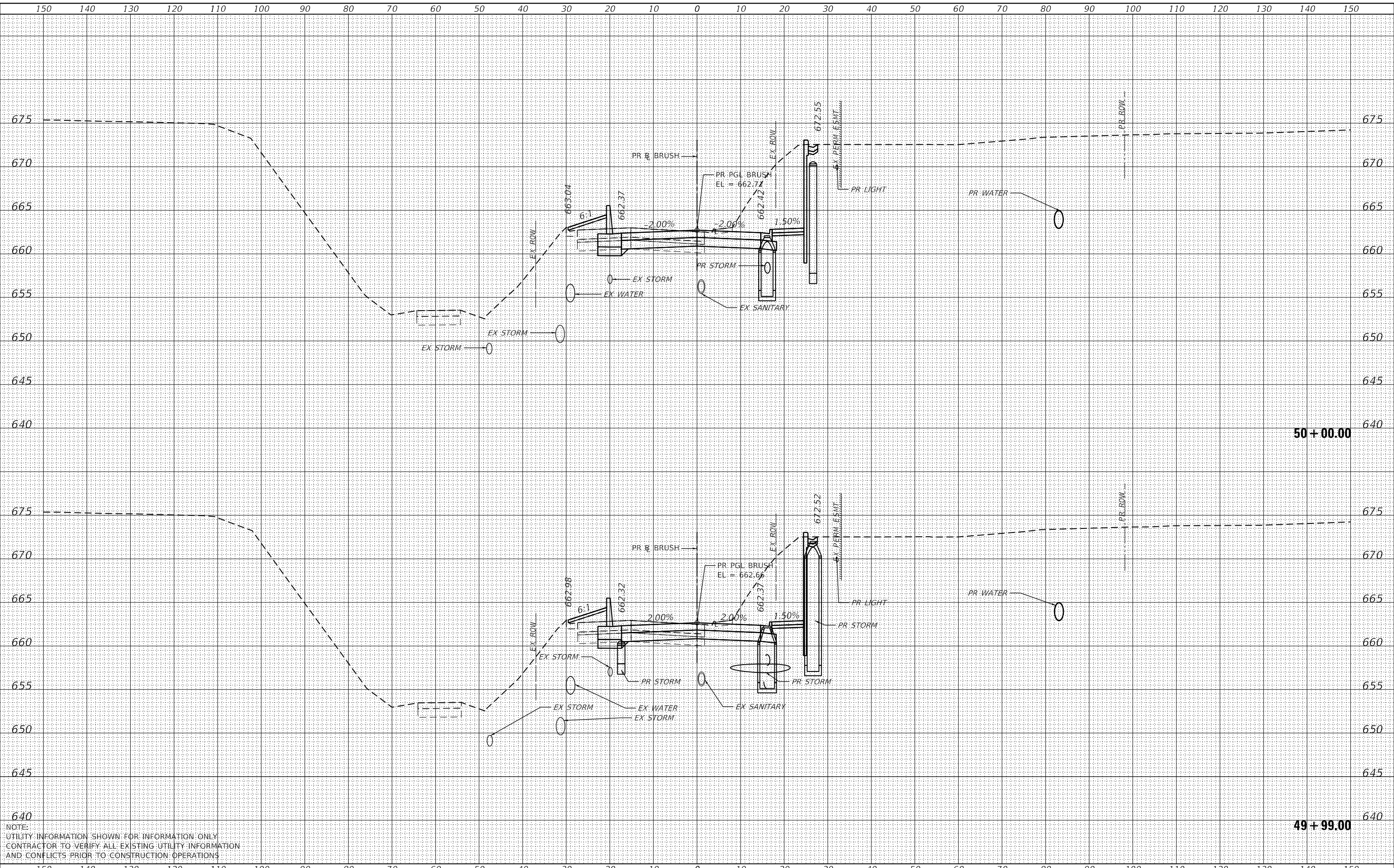
SHEET 10 OF 73 SHEETS STA. 49+75.00 TO STA. 49+97.00

F.A.U. RTE.	SECTION	COUNTY	TOTAL SHEETS	SHEET NO.
7448	09-00933-01-BR	MACON	1019	762
CONTRACT NO. 95893				
ILLINOIS FED. AID PROJECT				

DATE	
BY	
SURVEYED	
PLOTTED	
TEMPLATE	
AREAS CHECKED	
FINAL SURVEY	
NOTE BOOK	
NO.	

DATE	
BY	
SURVEYED	
PLOTTED	
TEMPLATE	
AREAS CHECKED	
ORIGINAL SURVEY	
NOTE BOOK	
NO.	

MODEL: Definit
 FILE NAME: D:\aecom\p15\sw\hobby.com\AECOM_D515\Ia\Documents\60603202-Brush\College09-CAD\GIS910_CAD\03_SHEETS\01_AECOM\Cross Sections\60603202_SHT_US_Brush.dwg



NOTE:
 UTILITY INFORMATION SHOWN FOR INFORMATION ONLY
 CONTRACTOR TO VERIFY ALL EXISTING UTILITY INFORMATION
 AND CONFLICTS PRIOR TO CONSTRUCTION OPERATIONS



USER NAME	= SearsB
DESIGNED	- LMB
DRAWN	- LMB
CHECKED	- WBS
DATE	- 4/30/2021
REVISIONS	
REVISED	-
REVISED	-
REVISED	-

STATE OF ILLINOIS
 DEPARTMENT OF TRANSPORTATION

1"=10' H, 1"=5' V
 SCALE:

BRUSH COLLEGE ROAD
 CROSS SECTIONS

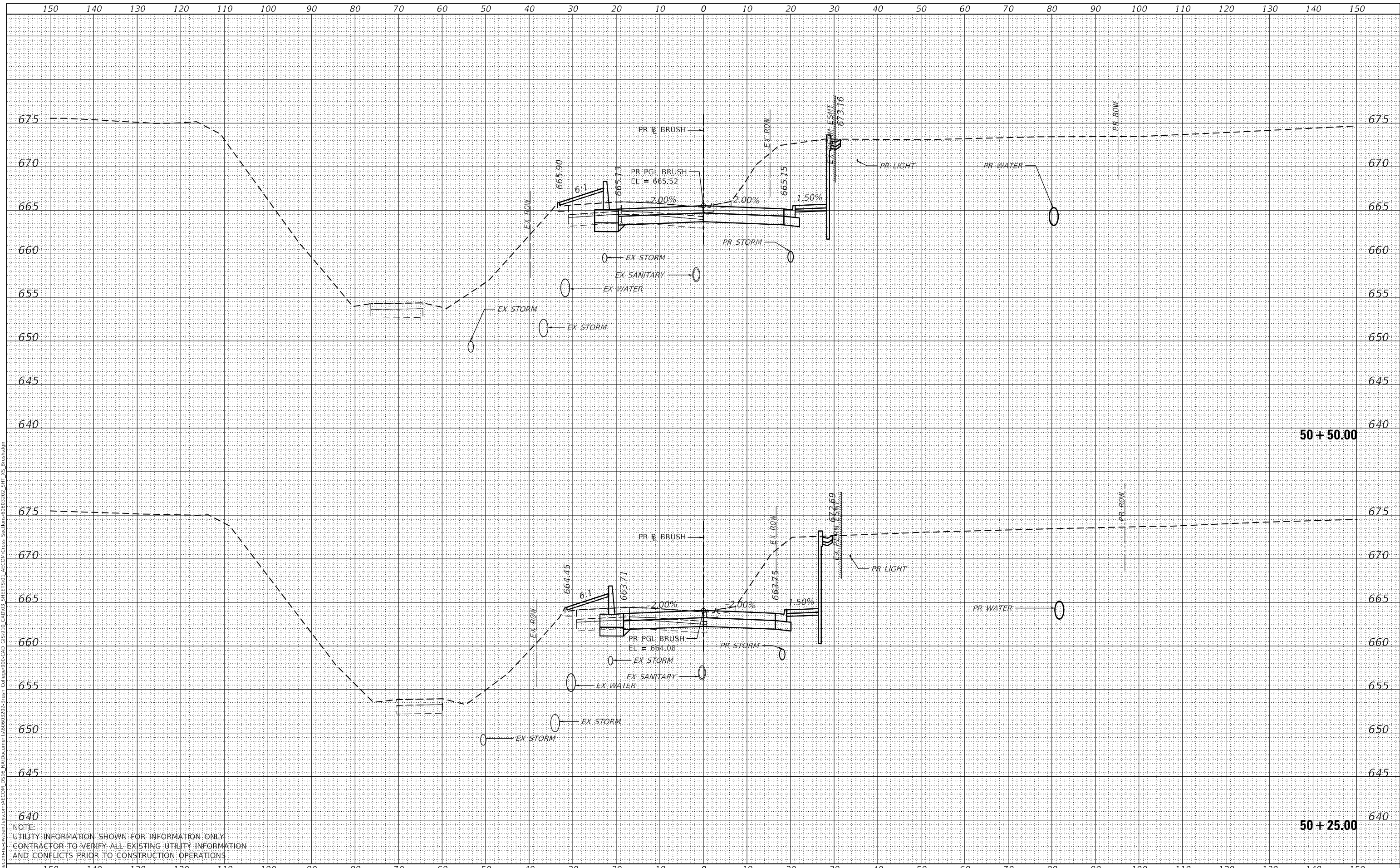
SHEET 11 OF 73 SHEETS STA. 49+99.00 TO STA. 50+00.00

F.A.U. RTE.	SECTION	COUNTY	TOTAL SHEETS	SHEET NO.
7448	09-00933-01-BR	MACON	1019	763
CONTRACT NO. 95893				
ILLINOIS FED. AID PROJECT				

DATE	
BY	
SURVEYED	
PLOTTED	
TEMPLATE	
AREAS CHECKED	
FINAL SURVEY	
NOTE BOOK	
NO.	

DATE	
BY	
SURVEYED	
PLOTTED	
TEMPLATE	
AREAS CHECKED	
ORIGINAL SURVEY	
NOTE BOOK	
NO.	

MODEL: Definit
 FILE NAME: D:\a\ecomp\m-h\shw\hobby\com\AECOM_D515\W\Documents\090933-01-Brush_College\09-CAD\03_SHEETS\01_AECOM\Cross_Section\090933-01_SHT_50_Brush.dwg



NOTE:
 UTILITY INFORMATION SHOWN FOR INFORMATION ONLY
 CONTRACTOR TO VERIFY ALL EXISTING UTILITY INFORMATION
 AND CONFLICTS PRIOR TO CONSTRUCTION OPERATIONS



USER NAME =	SearsB
DESIGNED -	LMB
DRAWN -	LMB
CHECKED -	WBS
DATE -	4/30/2021
REVISIONS	
REVISED -	
REVISED -	
REVISED -	

STATE OF ILLINOIS
 DEPARTMENT OF TRANSPORTATION

1"=10' H, 1"=5' V
 SCALE:

BRUSH COLLEGE ROAD
 CROSS SECTIONS

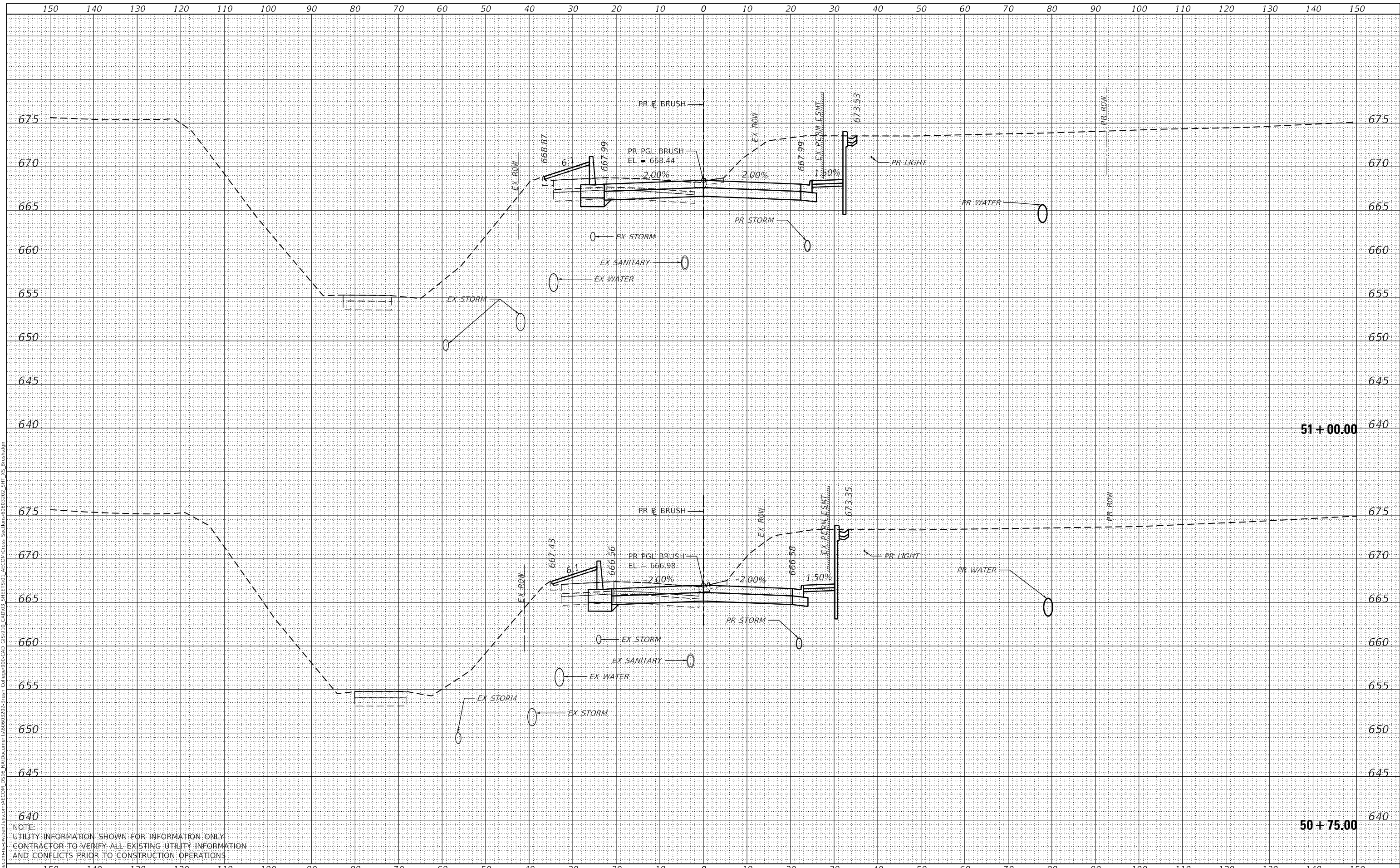
SHEET 12 OF 73 SHEETS STA. 50+25.00 TO STA. 50+50.00

F.A.U. RTE.	SECTION	COUNTY	TOTAL SHEETS	SHEET NO.
7448	09-00933-01-BR	MACON	1019	764
CONTRACT NO. 95893				
ILLINOIS FED. AID PROJECT				

DATE	
BY	
SURVEYED	
PLOTTED	
TEMPLATE	
AREAS CHECKED	
FINAL SURVEY	
NOTE BOOK	
NO.	

DATE	
BY	
SURVEYED	
PLOTTED	
TEMPLATE	
AREAS CHECKED	
ORIGINAL SURVEY	
NOTE BOOK	
NO.	

MODEL: Definit
 FILE NAME: D:\a\ecomp\m-h\shw\hobby\com\AECOM_D515\1\Documents\60603202-Brush\College09-CAD\GIS\910_CAD\03_SHEETS\01_AECOM\Cross Sections\60603202_SHT_15_Brush.dgn



NOTE:
 UTILITY INFORMATION SHOWN FOR INFORMATION ONLY
 CONTRACTOR TO VERIFY ALL EXISTING UTILITY INFORMATION
 AND CONFLICTS PRIOR TO CONSTRUCTION OPERATIONS



USER NAME =	SearsB
DESIGNED -	LMB
DRAWN -	LMB
CHECKED -	WBS
DATE -	4/30/2021
REVISIONS	
REVISED -	
REVISED -	
REVISED -	
REVISED -	

STATE OF ILLINOIS
 DEPARTMENT OF TRANSPORTATION

1"=10' H, 1"=5' V
 SCALE:

BRUSH COLLEGE ROAD
 CROSS SECTIONS

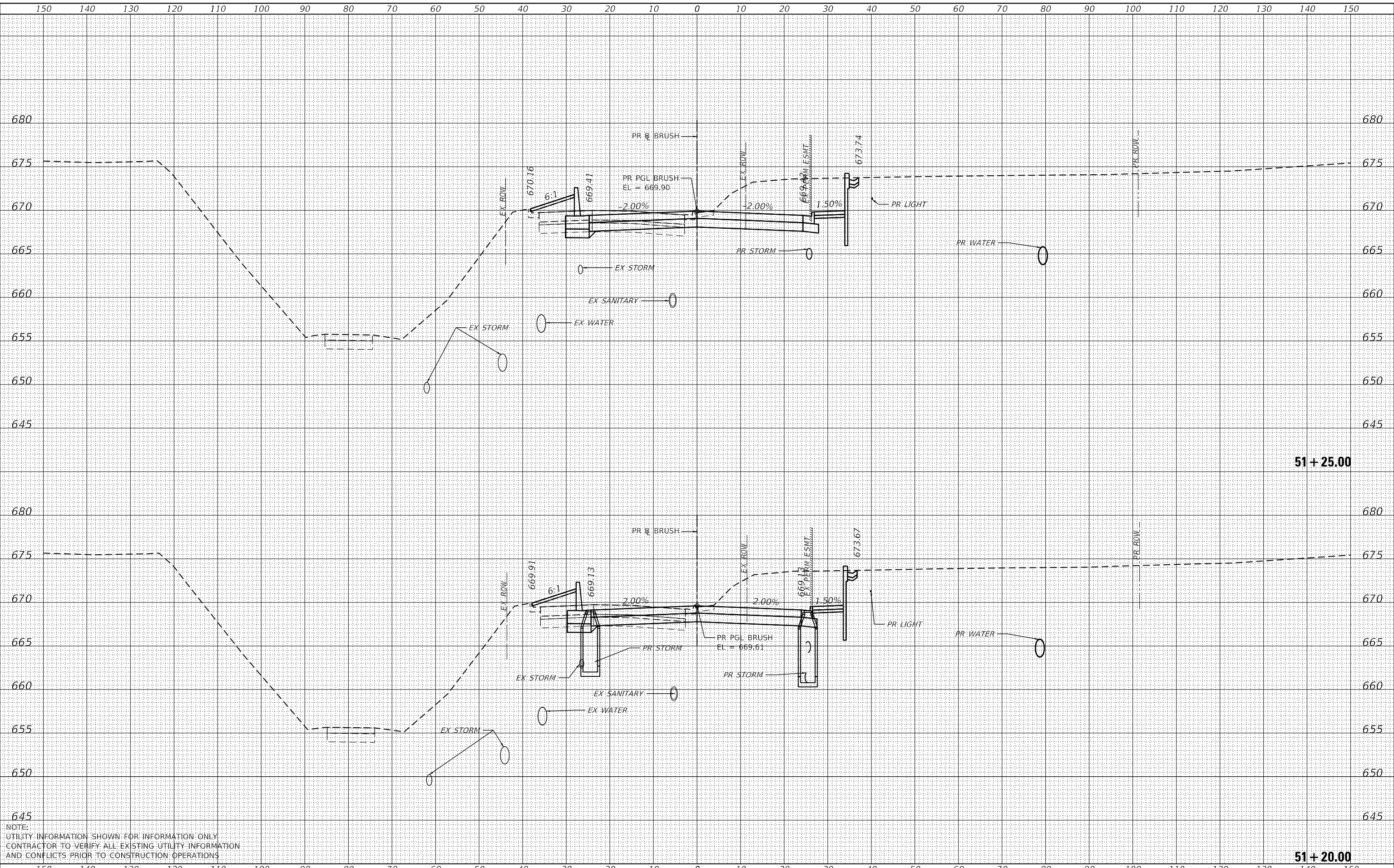
SHEET 13 OF 73 SHEETS STA. 50+75.00 TO STA. 51+00.00

F.A.U. RTE.	SECTION	COUNTY	TOTAL SHEETS	SHEET NO.
7448	09-00933-01-BR	MACON	1019	765
CONTRACT NO. 95893				
ILLINOIS FED. AID PROJECT				

DATE	
BY	
FINAL SURVEY	SURVEYED
NOTE BOOK	PLOTTED
NO.	TEMPLATE
	AREAS CHECKED

DATE	
BY	
ORIGINAL SURVEY	SURVEYED
NOTE BOOK	PLOTTED
NO.	TEMPLATE
	AREAS CHECKED

MODEL: Default
 FILE NAME: D:\a\ecomp\m-h\shw\hobby\com\AECOM_D515\Ia\Documents\60603202-Brush\College09-CAD\GIS910_CAD\03_SHEETS\01_AECOM\Cross Sections\60603202_SHT_15_Brush.dwg



NOTE:
 UTILITY INFORMATION SHOWN FOR INFORMATION ONLY
 CONTRACTOR TO VERIFY ALL EXISTING UTILITY INFORMATION
 AND CONFLICTS PRIOR TO CONSTRUCTION OPERATIONS



USER NAME	= SearsB
DESIGNED	- LMB
DRAWN	- LMB
CHECKED	- WBS
DATE	- 4/30/2021

REVISED	-
REVISED	-
REVISED	-
REVISED	-

STATE OF ILLINOIS
 DEPARTMENT OF TRANSPORTATION

1"=10' H, 1"=5' V
 SCALE:

BRUSH COLLEGE ROAD
 CROSS SECTIONS

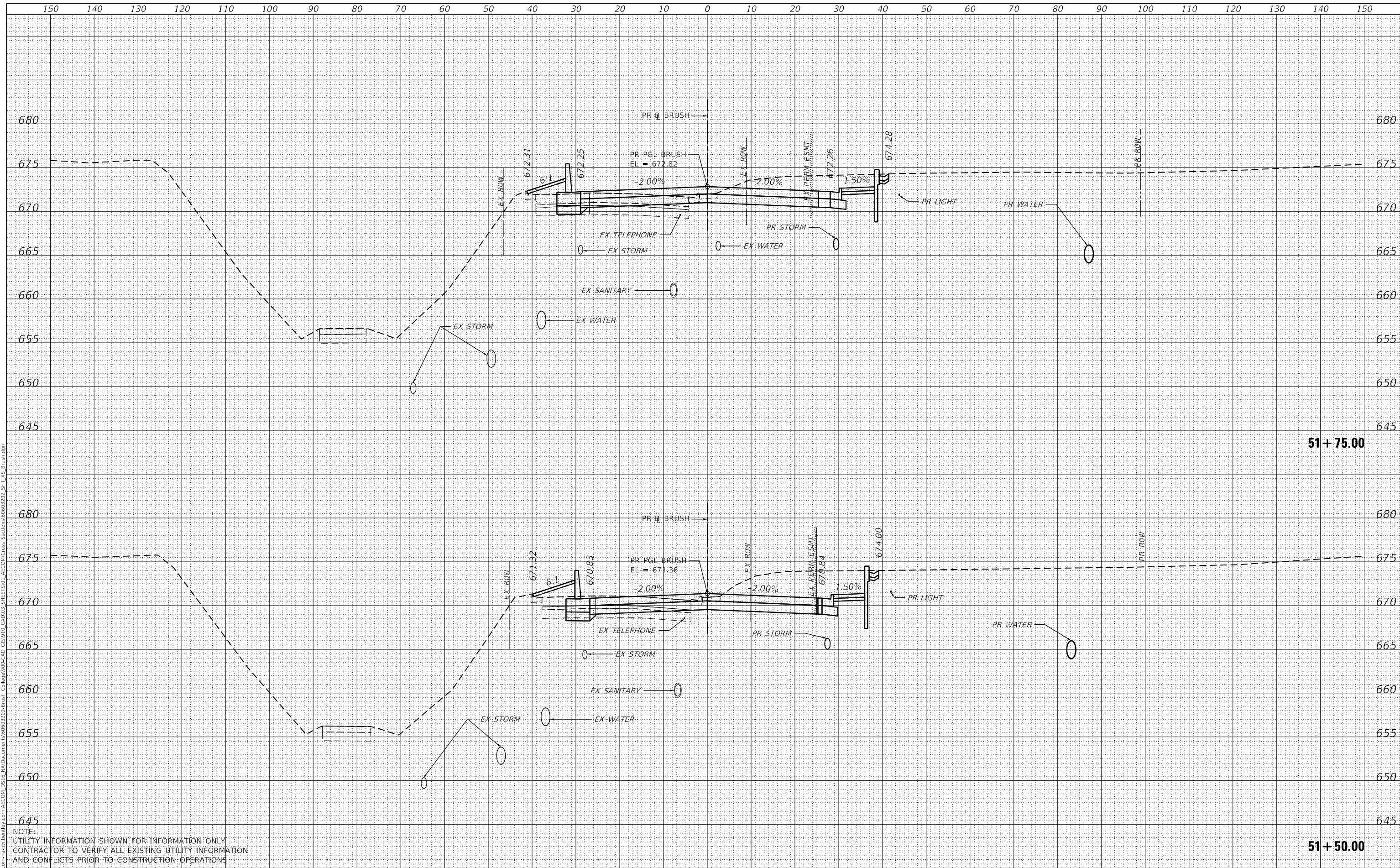
SHEET 14 OF 73 SHEETS STA. 51+20.00 TO STA. 51+25.00

F.A.U. RTE.	SECTION	COUNTY	TOTAL SHEETS	SHEET NO.
7448	09-00933-01-BR	MACON	1019	766
CONTRACT NO. 95893				

ILLINOIS FED. AID PROJECT

DATE	
BY	
SURVEYED	
PLOTTED	
TEMPLATE	
AREAS CHECKED	
FINAL SURVEY	
NOTE BOOK	
NO.	

DATE	
BY	
SURVEYED	
PLOTTED	
TEMPLATE	
AREAS CHECKED	
ORIGINAL SURVEY	
NOTE BOOK	
NO.	



51 + 75.00

51 + 50.00

NOTE:
UTILITY INFORMATION SHOWN FOR INFORMATION ONLY.
CONTRACTOR TO VERIFY ALL EXISTING UTILITY INFORMATION
AND CONFLICTS PRIOR TO CONSTRUCTION OPERATIONS.



USER NAME	= SearsB
DESIGNED	- LMB
DRAWN	- LMB
CHECKED	- WBS
DATE	- 4/30/2021
REVISD	-
REVISD	-
REVISD	-
REVISD	-

DESIGNED	- LMB
DRAWN	- LMB
CHECKED	- WBS
DATE	- 4/30/2021
REVISD	-
REVISD	-
REVISD	-
REVISD	-

STATE OF ILLINOIS
DEPARTMENT OF TRANSPORTATION

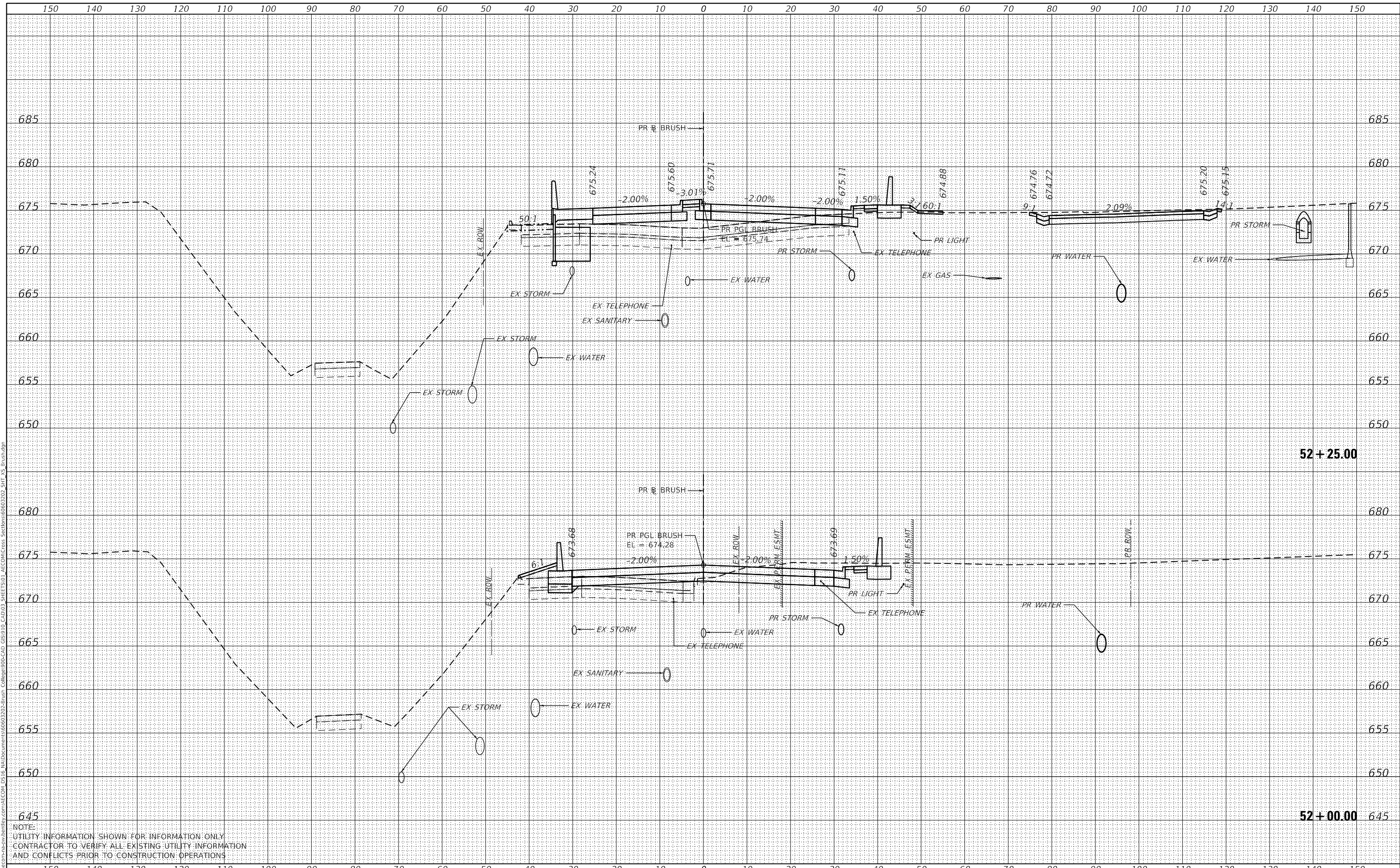
BRUSH COLLEGE ROAD
CROSS SECTIONS
1"=10' H, 1"=5' V
SCALE: SHEET 15 OF 73 SHEETS STA. 51+50.00 TO STA. 51+75.00

F.A.U. RTE.	SECTION	COUNTY	TOTAL SHEETS	SHEET NO.
7448	09-00933-01-BR	MACON	1019	767
CONTRACT NO. 95893				
ILLINOIS FED. AID PROJECT				

DATE	
BY	
FINAL SURVEY	SURVEYED
NOTE BOOK	PLOTTED
NO.	TEMPLATE
	AREAS CHECKED

DATE	
BY	
ORIGINAL SURVEY	SURVEYED
NOTE BOOK	PLOTTED
NO.	TEMPLATE
	AREAS CHECKED

MODEL: Definit
 FILE NAME: D:\a\acorn\msh\shenley\com\AECOM_D515\Ia\Documents\60603202\Brush College\09-CAD\03_SHEETS\01_AECOM\Cross Sections\60603202_SHT_15_Brush.dwg



NOTE:
 UTILITY INFORMATION SHOWN FOR INFORMATION ONLY
 CONTRACTOR TO VERIFY ALL EXISTING UTILITY INFORMATION
 AND CONFLICTS PRIOR TO CONSTRUCTION OPERATIONS



USER NAME =	SearsB
DESIGNED -	LMB
DRAWN -	LMB
CHECKED -	WBS
DATE -	4/30/2021
PLOT SCALE =	20.0000' / in.
PLOT DATE =	5/5/2021

REVISED -	
REVISED -	
REVISED -	
REVISED -	

STATE OF ILLINOIS
 DEPARTMENT OF TRANSPORTATION

1"=10' H, 1"=5' V
 SCALE:

BRUSH COLLEGE ROAD
 CROSS SECTIONS

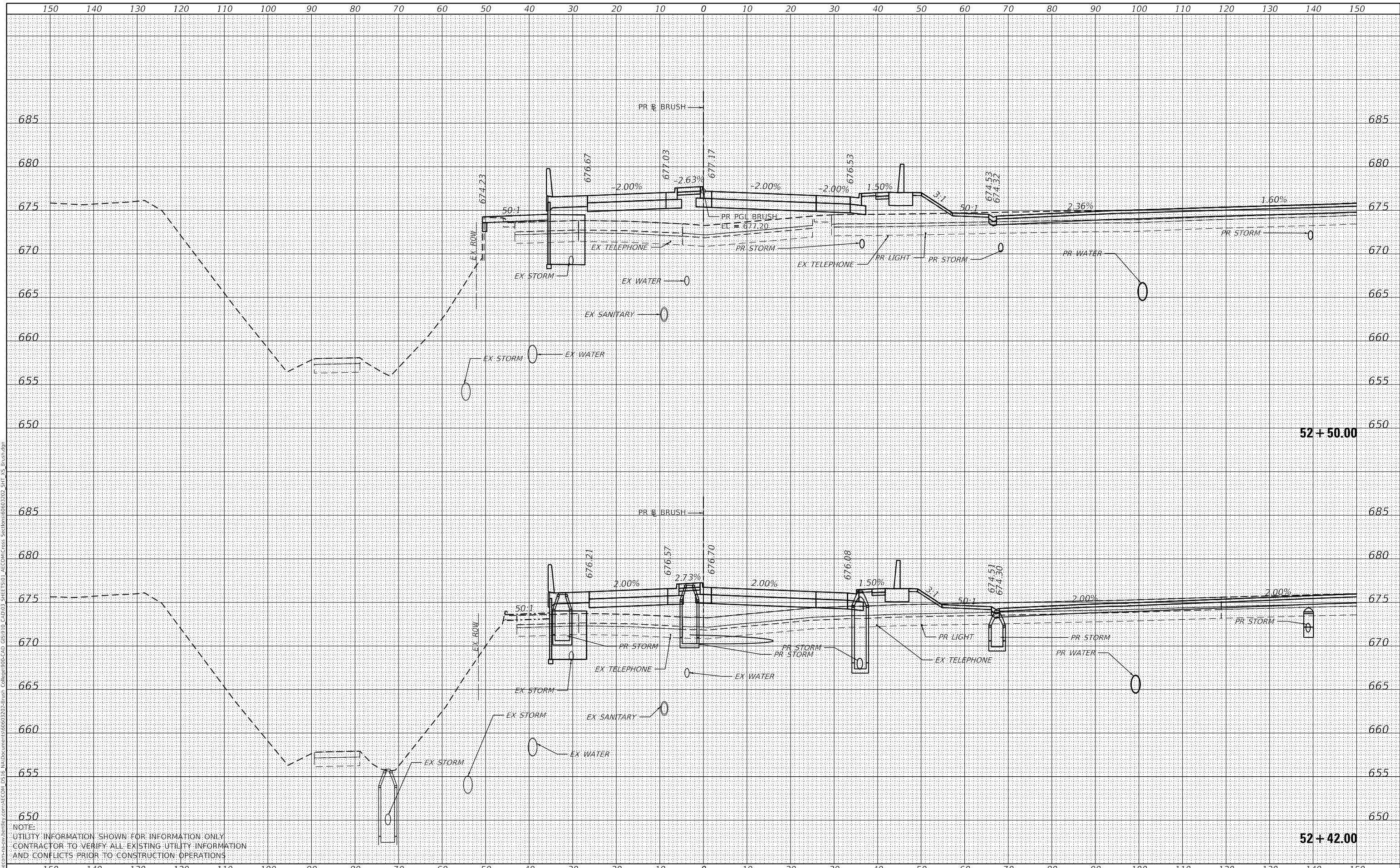
SHEET 16 OF 73 SHEETS STA. 52+00.00 TO STA. 52+25.00

F.A.U. RTE.	SECTION	COUNTY	TOTAL SHEETS	SHEET NO.
7448	09-00933-01-BR	MACON	1019	768
CONTRACT NO. 95893				
ILLINOIS FED. AID PROJECT				

DATE	
BY	
SURVEYED	
PLOTTED	
TEMPLATE	
AREAS CHECKED	
FINAL SURVEY	
NOTE BOOK	
NO.	

DATE	
BY	
SURVEYED	
PLOTTED	
TEMPLATE	
AREAS CHECKED	
ORIGINAL SURVEY	
NOTE BOOK	
NO.	

MODEL: Definit
 FILE NAME: D:\a\acomb\p\brshcolleg\brshcolleg.dwg
 SHEET: 01-BRUSH COLLEGE ROAD CROSS SECTIONS
 USER: Searsb



NOTE:
 UTILITY INFORMATION SHOWN FOR INFORMATION ONLY
 CONTRACTOR TO VERIFY ALL EXISTING UTILITY INFORMATION
 AND CONFLICTS PRIOR TO CONSTRUCTION OPERATIONS



USER NAME	= Searsb
DESIGNED	- LMB
DRAWN	- LMB
CHECKED	- WBS
DATE	- 4/30/2021

REVISED	-
REVISED	-
REVISED	-
REVISED	-

STATE OF ILLINOIS
 DEPARTMENT OF TRANSPORTATION

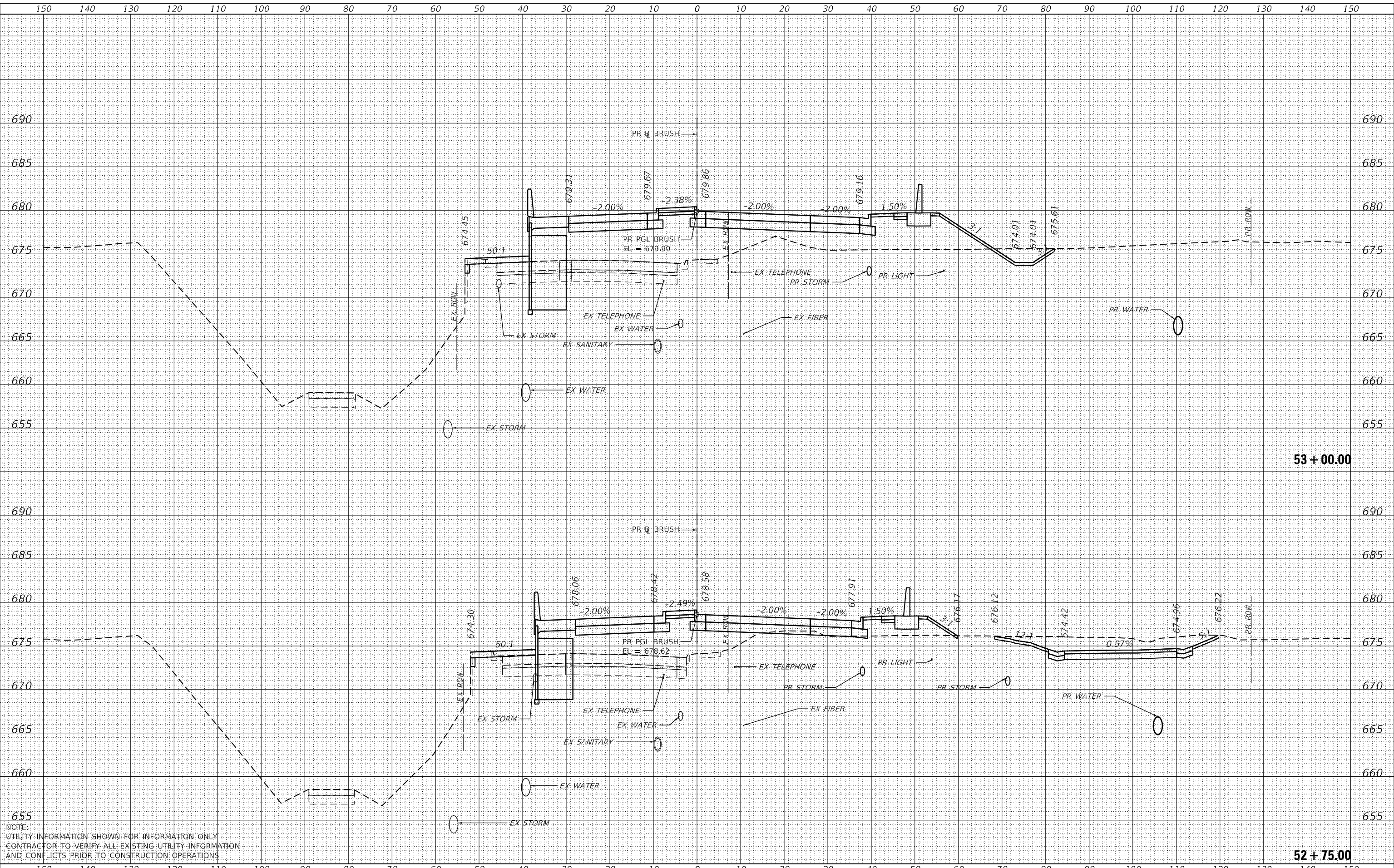
BRUSH COLLEGE ROAD
 CROSS SECTIONS
 1"=10' H, 1"=5' V
 SCALE: SHEET 17 OF 73 SHEETS STA. 52+42.00 TO STA. 52+50.00

F.A.U. RTE.	SECTION	COUNTY	TOTAL SHEETS	SHEET NO.
7448	09-00933-01-BR	MACON	1019	769
CONTRACT NO. 95893				
ILLINOIS FED. AID PROJECT				

DATE	
BY	
FINAL SURVEY NO.	
SURVEYED	
PLOTTED	
TEMPLATE	
NOTE BOOK	
AREAS CHECKED	

DATE	
BY	
ORIGINAL SURVEY NO.	
SURVEYED	
PLOTTED	
TEMPLATE	
NOTE BOOK	
AREAS CHECKED	

MODEL: Definit
 FILE NAME: D:\a\acomb\p\brush\brush.dwg
 PROJECT: 09-00933-01-Brush
 SHEET: 52+75.00
 USER: searsb



NOTE:
 UTILITY INFORMATION SHOWN FOR INFORMATION ONLY.
 CONTRACTOR TO VERIFY ALL EXISTING UTILITY INFORMATION
 AND CONFLICTS PRIOR TO CONSTRUCTION OPERATIONS.



USER NAME	= searsb
DESIGNED	- LMB
DRAWN	- LMB
CHECKED	- WBS
DATE	- 4/30/2021
REVISIONS	
REVISED	-
REVISED	-
REVISED	-
REVISED	-

STATE OF ILLINOIS
 DEPARTMENT OF TRANSPORTATION

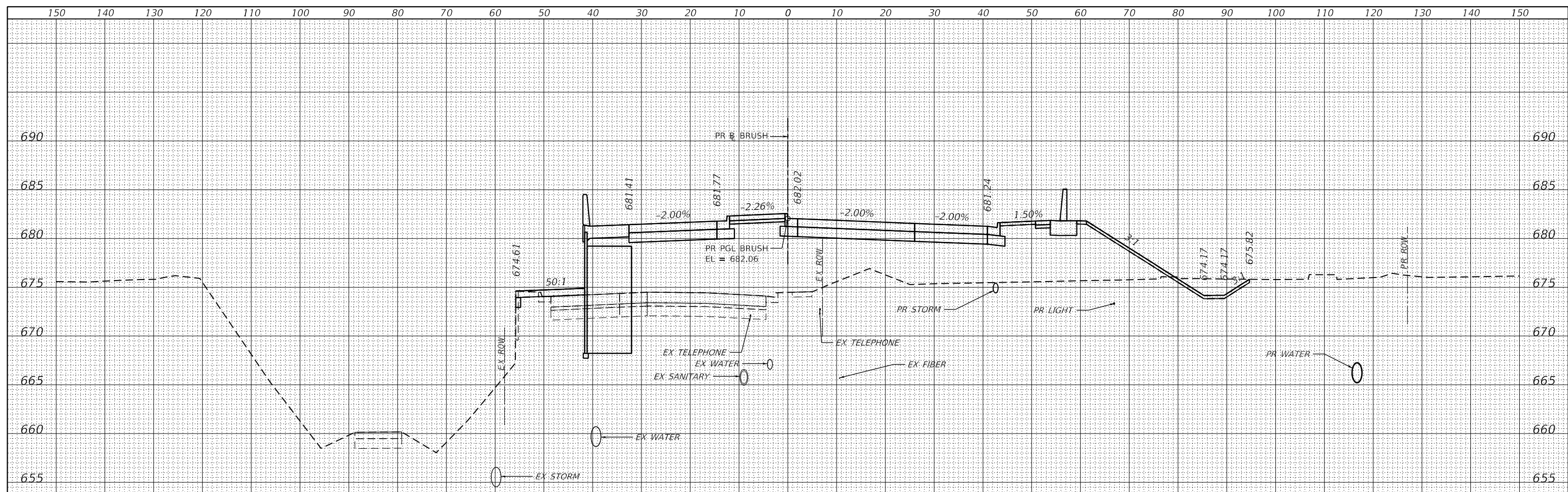
1"=10' H, 1"=5' V
 SCALE:

BRUSH COLLEGE ROAD
 CROSS SECTIONS

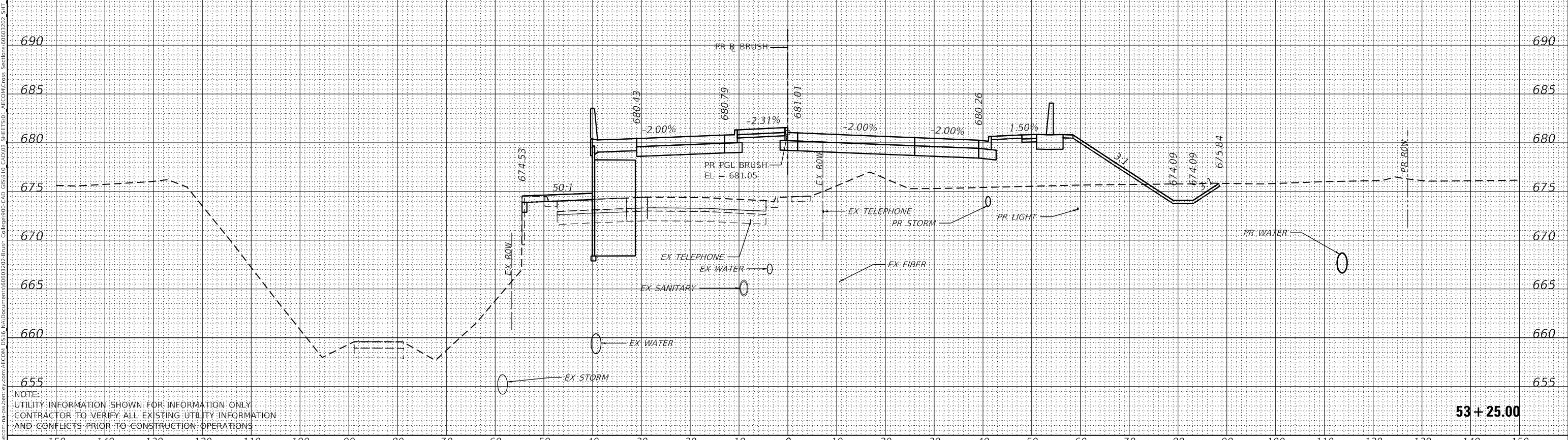
SHEET 18 OF 73 SHEETS
 STA. 52+75.00 TO STA. 53+00.00

F.A.U. RTE.	SECTION	COUNTY	TOTAL SHEETS	SHEET NO.
7448	09-00933-01-BR	MACON	1019	770
CONTRACT NO. 95893				
ILLINOIS FED. AID PROJECT				

DATE	
BY	
SURVEYED	
PLOTTED	
TEMPLATE	
NOTE BOOK	
AREAS CHECKED	



DATE	
BY	
SURVEYED	
PLOTTED	
TEMPLATE	
NOTE BOOK	
AREAS CHECKED	



NOTE:
 UTILITY INFORMATION SHOWN FOR INFORMATION ONLY
 CONTRACTOR TO VERIFY ALL EXISTING UTILITY INFORMATION
 AND CONFLICTS PRIOR TO CONSTRUCTION OPERATIONS



USER NAME	= SearsB
DESIGNED	- LMB
DRAWN	- LMB
CHECKED	- WBS
DATE	- 4/30/2021
PLOT SCALE	= 20.0000' / in.
PLOT DATE	= 5/5/2021

REVISD	-
REVISD	-
REVISD	-
REVISD	-

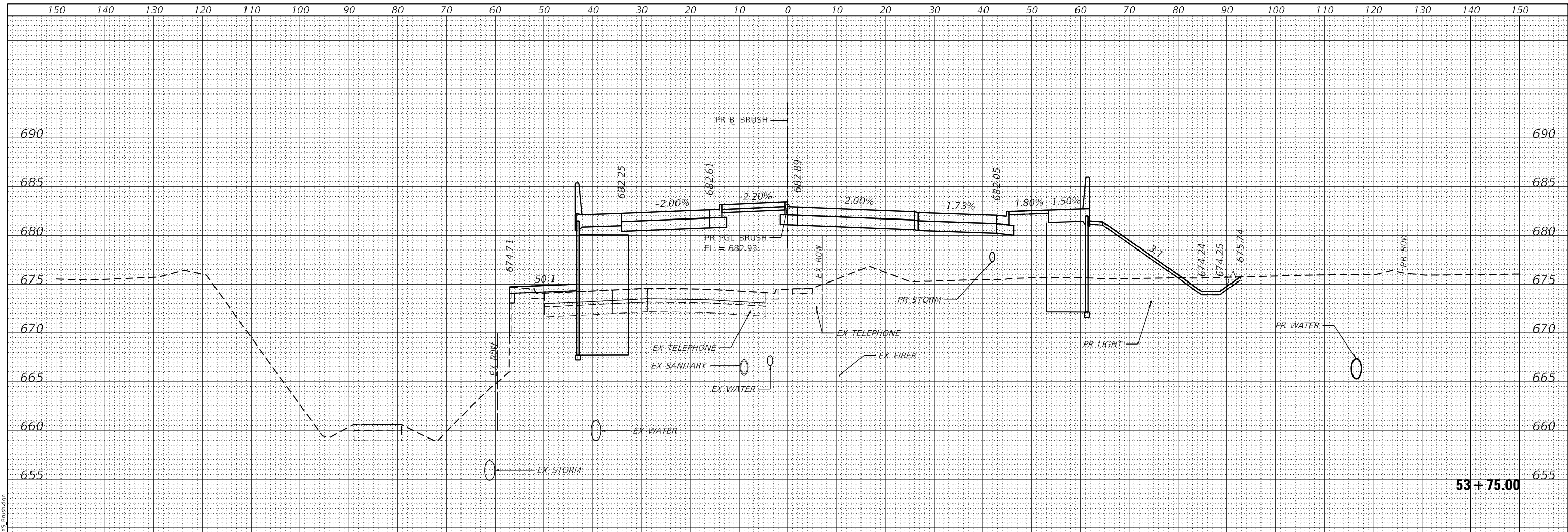
STATE OF ILLINOIS
 DEPARTMENT OF TRANSPORTATION

BRUSH COLLEGE ROAD
 CROSS SECTIONS
 1"=10' H, 1"=5' V
 SCALE: SHEET 19 OF 73 SHEETS STA. 53+25.00 TO STA. 53+50.00

F.A.U. RTE.	SECTION	COUNTY	TOTAL SHEETS	SHEET NO.
7448	09-00933-01-BR	MACON	1019	771
CONTRACT NO. 95893				
ILLINOIS FED. AID PROJECT				

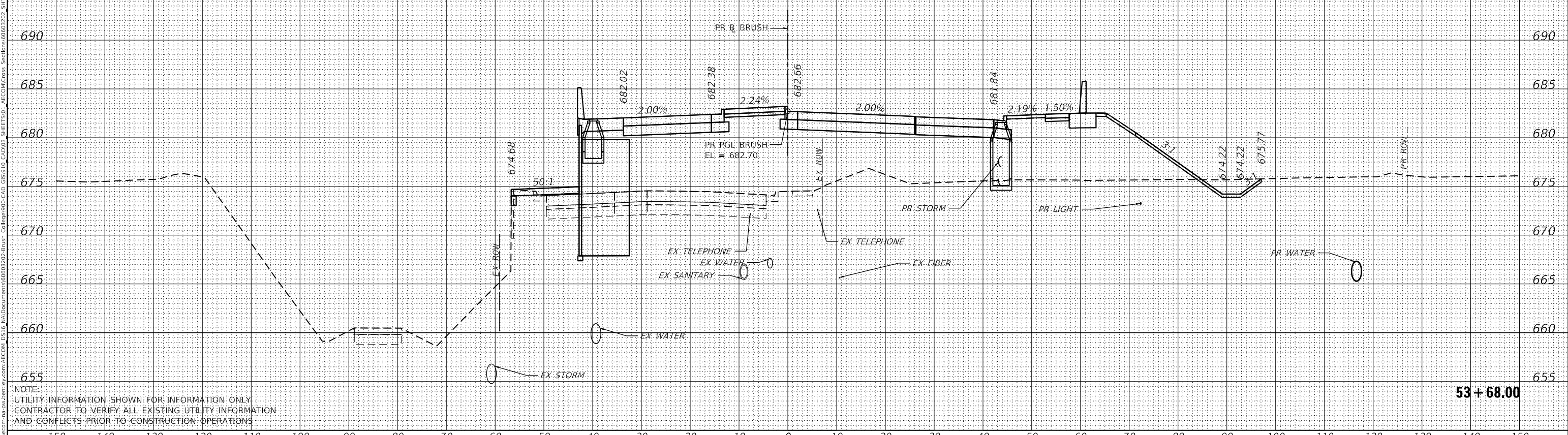
MODEL: Definit
 FILE NAME: D:\aecom\p\95893\brush\collge\09-00933-01-BR\sheet\cross\sect53+25.00.dwg
 SHEETS: 01 / 73
 DATE: 5/5/2021

DATE
BY
FINAL SURVEY
SURVEYED
NOTE BOOK
PLOTTED
AREAS CHECKED
NO.
NO.
NO.
NO.
NO.



53 + 75.00

DATE
BY
FINAL SURVEY
SURVEYED
NOTE BOOK
PLOTTED
AREAS CHECKED
NO.
NO.
NO.
NO.
NO.



53 + 68.00

NOTE:
UTILITY INFORMATION SHOWN FOR INFORMATION ONLY.
CONTRACTOR TO VERIFY ALL EXISTING UTILITY INFORMATION
AND CONFLICTS PRIOR TO CONSTRUCTION OPERATIONS

USER NAME = SearsB
DESIGNED - LMB
DRAWN - LMB
CHECKED - WBS
DATE - 4/30/2021
REVISIONS

STATE OF ILLINOIS
DEPARTMENT OF TRANSPORTATION

SCALE: 1"=10' H, 1"=5' V
SHEET 20 OF 73 SHEETS
STA. 53+68.00 TO STA. 53+75.00

BRUSH COLLEGE ROAD
CROSS SECTIONS

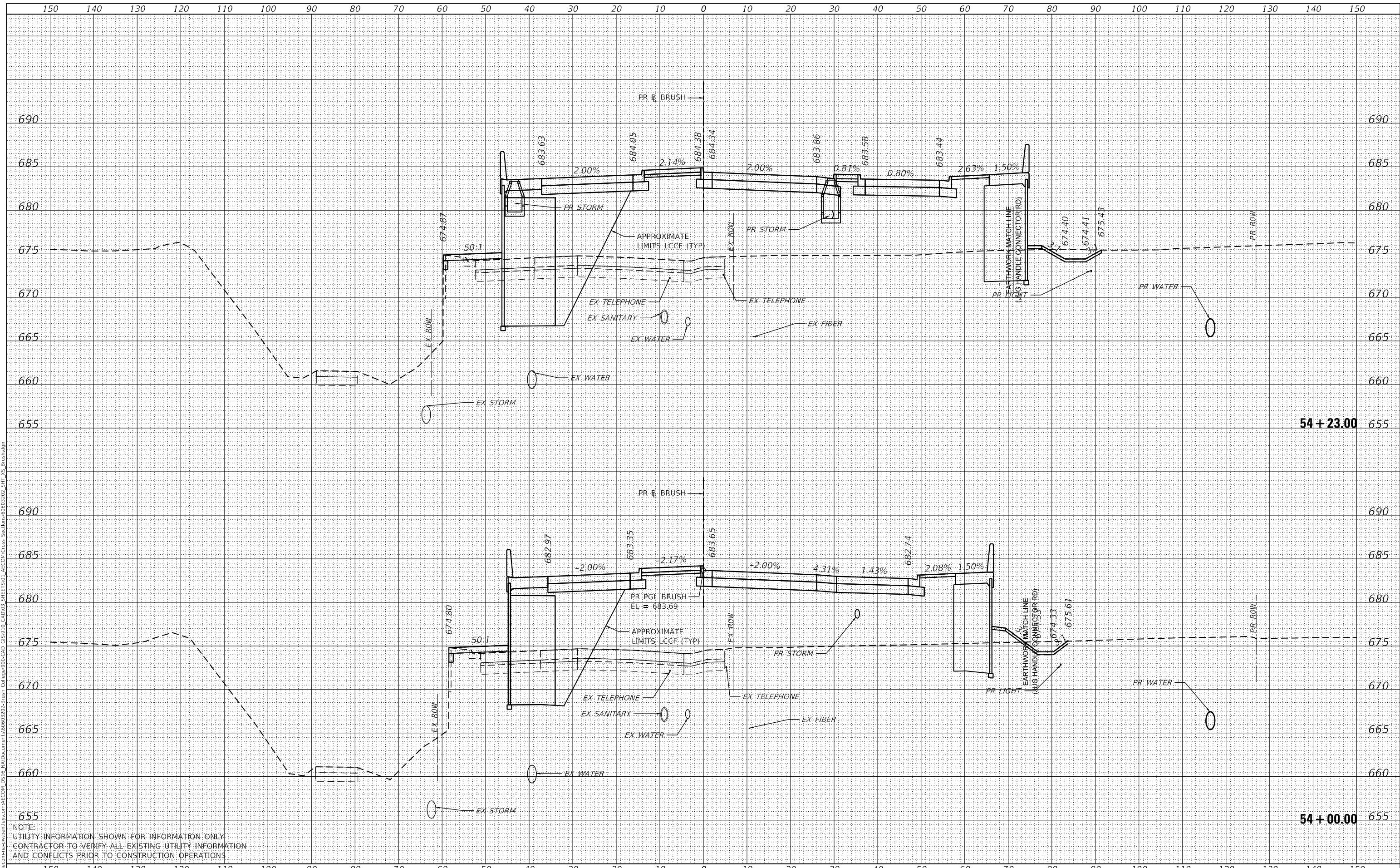
F.A.U. RTE.	SECTION	COUNTY	TOTAL SHEETS	SHEET NO.
7448	09-00933-01-BR	MACON	1019	772
CONTRACT NO. 95893				
ILLINOIS FED. AID PROJECT				



DATE	
BY	
SURVEYED	
PLOTTED	
TEMPLATE	
NOTE BOOK	
AREAS CHECKED	
NO.	

DATE	
BY	
SURVEYED	
PLOTTED	
TEMPLATE	
NOTE BOOK	
AREAS CHECKED	
NO.	

MODEL: Definit
 FILE NAME: D:\a\ecomp\m-h\sw-hentley\com\AECOM_D515\W\Documents\60603202-Brush\Collage\09-CAD\3-SHEETS\01_AECOM\Cross Sections\60603202_SHT_US_Brush.dwg



NOTE:
 UTILITY INFORMATION SHOWN FOR INFORMATION ONLY
 CONTRACTOR TO VERIFY ALL EXISTING UTILITY INFORMATION
 AND CONFLICTS PRIOR TO CONSTRUCTION OPERATIONS



USER NAME	= SearsB
DESIGNED	- LMB
DRAWN	- LMB
CHECKED	- WBS
DATE	- 4/30/2021

REVISED	-
REVISED	-
REVISED	-
REVISED	-

STATE OF ILLINOIS
 DEPARTMENT OF TRANSPORTATION

1"=10' H, 1"=5' V
 SCALE:

BRUSH COLLEGE ROAD
 CROSS SECTIONS

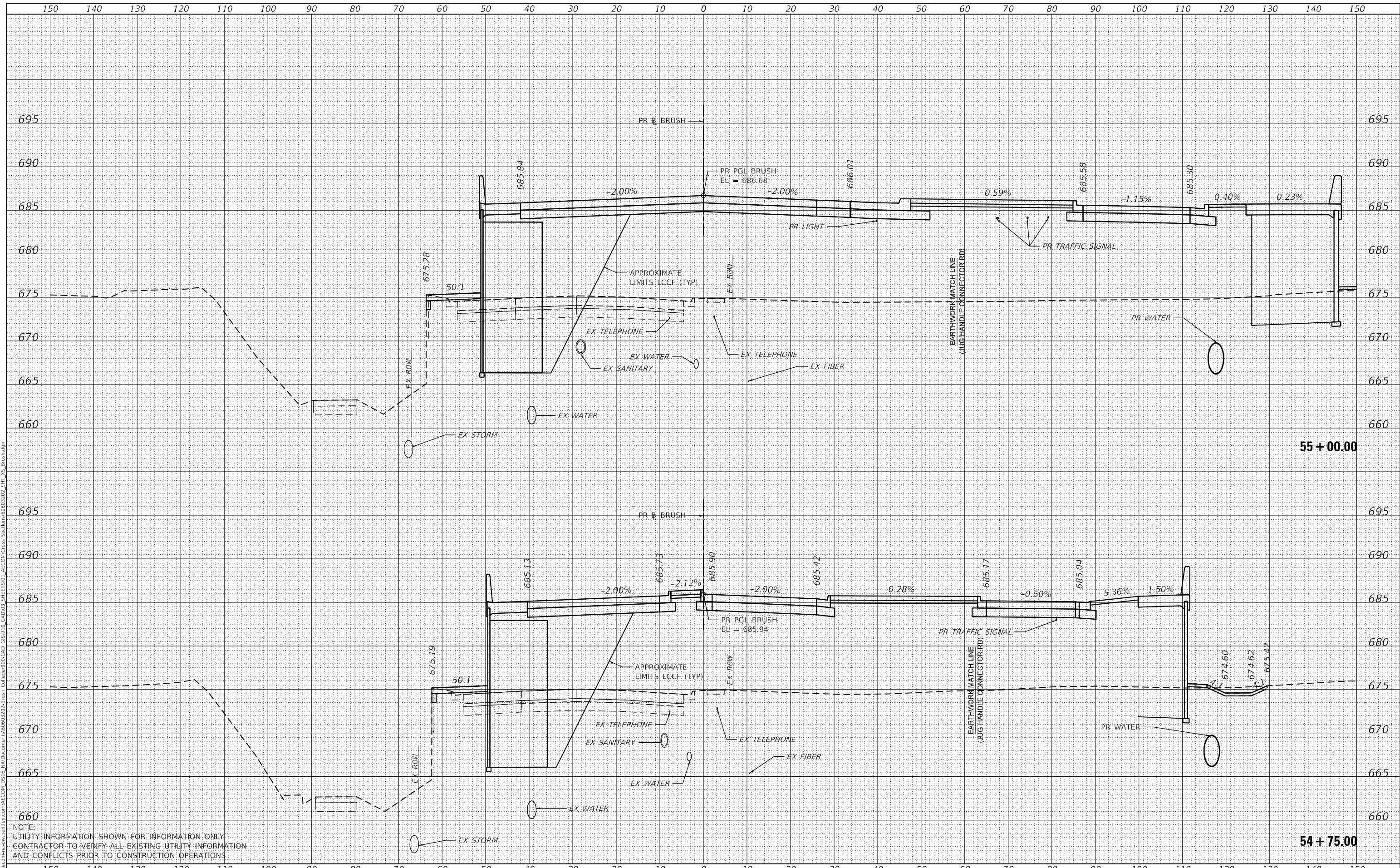
SHEET 21 OF 73 SHEETS STA. 54+00.00 TO STA. 54+23.00

F.A.U. RTE.	SECTION	COUNTY	TOTAL SHEETS	SHEET NO.
7448	09-00933-01-BR	MACON	1019	773
CONTRACT NO. 95893				
ILLINOIS FED. AID PROJECT				

DATE	
BY	
FINAL SURVEY	SURVEYED
NOTE BOOK	PLOTTED
NO.	TEMPLATE
	AREAS CHECKED

DATE	
BY	
ORIGINAL SURVEY	SURVEYED
NOTE BOOK	PLOTTED
NO.	TEMPLATE
	AREAS CHECKED

MODEL: Definit
 FILE NAME: D:\a\acomp\msh\sw\hobby\com\AECOM_D515\Ia\Documents\60603202-Brush\Colligate\00-CAD\GIS\910_CAD\03_SHEETS\01_AECOM\Cross_Section\60603202_SHT_15_Brush.dwg



NOTE:
 UTILITY INFORMATION SHOWN FOR INFORMATION ONLY
 CONTRACTOR TO VERIFY ALL EXISTING UTILITY INFORMATION
 AND CONFLICTS PRIOR TO CONSTRUCTION OPERATIONS



USER NAME	= SearsB
DESIGNED	- LMB
DRAWN	- LMB
CHECKED	- WBS
DATE	- 4/30/2021
PLOT SCALE	= 20,0000' / in.
PLOT DATE	= 5/5/2021

REVISED	-
REVISED	-
REVISED	-
REVISED	-

STATE OF ILLINOIS
 DEPARTMENT OF TRANSPORTATION

1"=10' H, 1"=5' V
 SCALE:

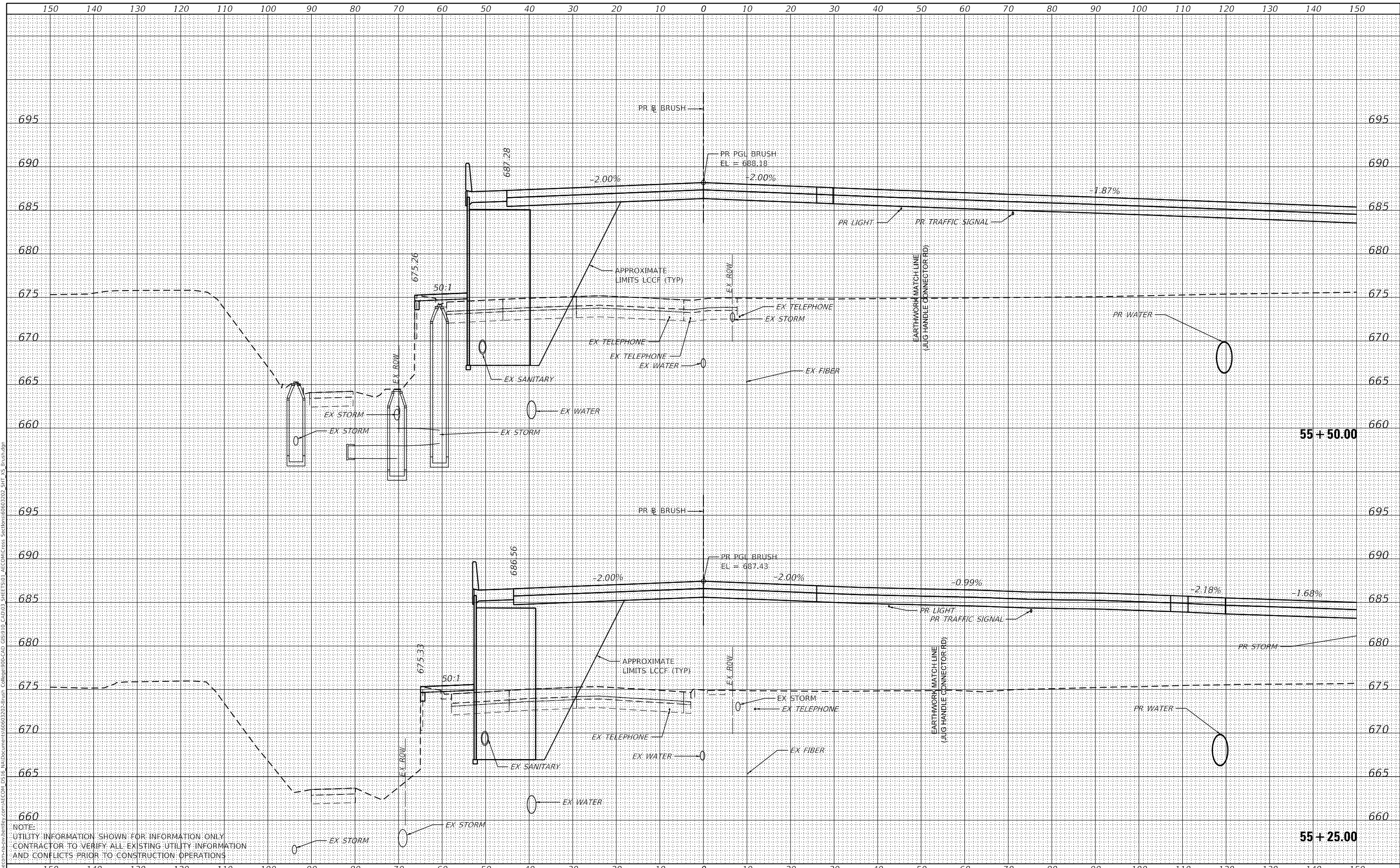
BRUSH COLLEGE ROAD
 CROSS SECTIONS

SHEET 23 OF 73 SHEETS
 STA. 54+75.00 TO STA. 55+00.00

F.A.U. RTE.	SECTION	COUNTY	TOTAL SHEETS	SHEET NO.
7448	09-00933-01-BR	MACON	1019	775
CONTRACT NO. 95893				
ILLINOIS FED. AID PROJECT				

DATE	
BY	
SURVEYED	
PLOTTED	
TEMPLATE	
NOTE BOOK	
AREAS CHECKED	
NO.	

DATE	
BY	
SURVEYED	
PLOTTED	
TEMPLATE	
NOTE BOOK	
AREAS CHECKED	
NO.	



NOTE:
UTILITY INFORMATION SHOWN FOR INFORMATION ONLY.
CONTRACTOR TO VERIFY ALL EXISTING UTILITY INFORMATION
AND CONFLICTS PRIOR TO CONSTRUCTION OPERATIONS.



USER NAME	= SearsB
DESIGNED	- LMB
DRAWN	- LMB
CHECKED	- WBS
DATE	- 4/30/2021
PLOT SCALE	= 20,0000' / in.
PLOT DATE	= 5/5/2021

REVISED	-
REVISED	-
REVISED	-
REVISED	-

STATE OF ILLINOIS
DEPARTMENT OF TRANSPORTATION

1"=10' H, 1"=5' V
SCALE:

BRUSH COLLEGE ROAD
CROSS SECTIONS

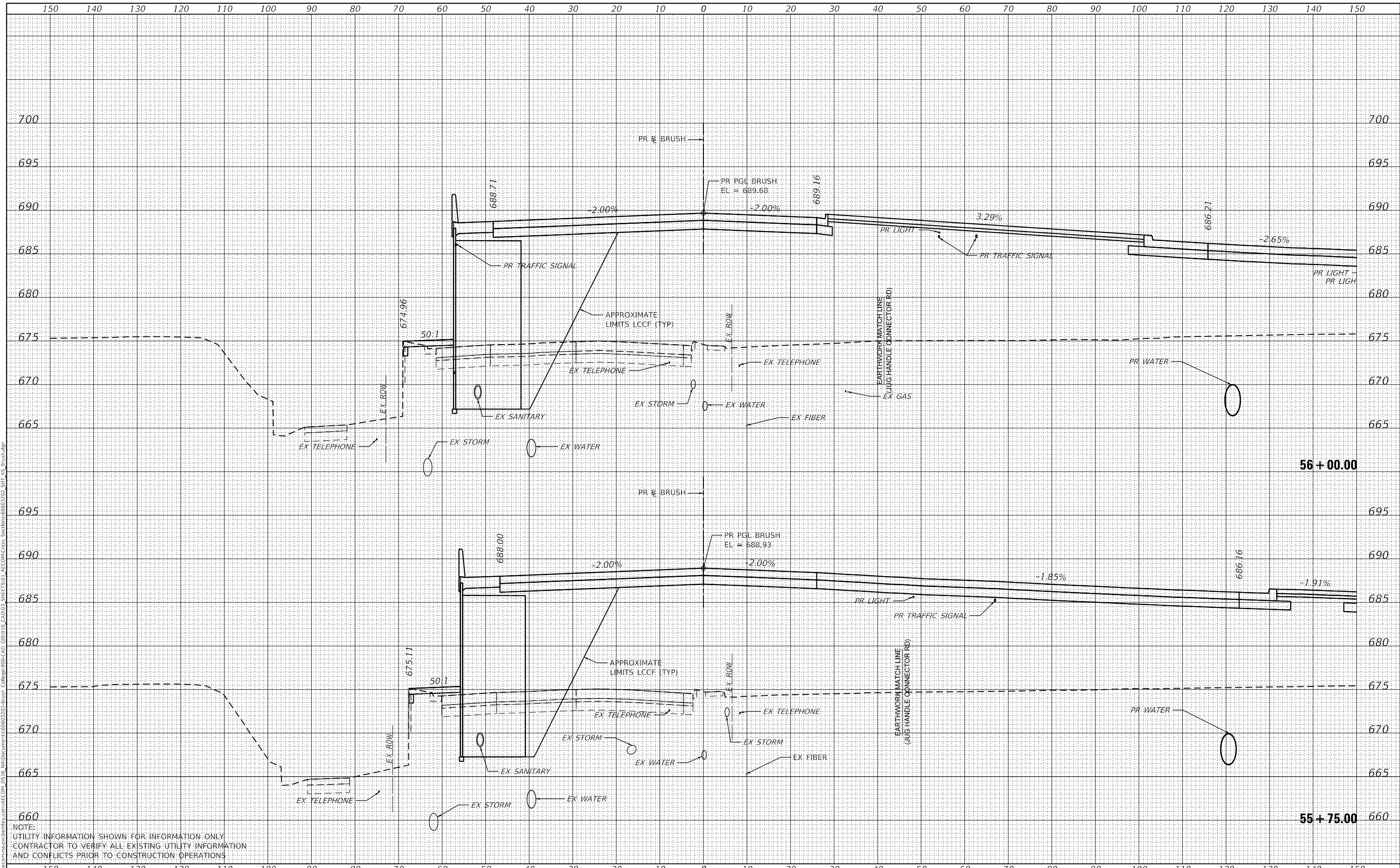
SHEET 24 OF 73 SHEETS STA. 55+25.00 TO STA. 55+50.00

F.A.U. RTE.	SECTION	COUNTY	TOTAL SHEETS	SHEET NO.
7448	09-00933-01-BR	MACON	1019	776
CONTRACT NO. 95893				
ILLINOIS FED. AID PROJECT				

DATE	
BY	
FINAL SURVEY	SURVEYED
NOTE BOOK	PLOTTED
NO.	TEMPLATE
	AREAS CHECKED

DATE	
BY	
ORIGINAL SURVEY	SURVEYED
NOTE BOOK	PLOTTED
NO.	TEMPLATE
	AREAS CHECKED

MODEL: Definit
 FILE NAME: D:\aecom\p-bw\hobby\com\AECOM_D515\10\Documents\09093202\Sheet\College09-CAD\GIS910_CAD\03_SHEET5101_AECOM\Cross_Section\09093202_SHT_5101.dwg



NOTE:
 UTILITY INFORMATION SHOWN FOR INFORMATION ONLY
 CONTRACTOR TO VERIFY ALL EXISTING UTILITY INFORMATION
 AND CONFLICTS PRIOR TO CONSTRUCTION OPERATIONS



USER NAME	= SearsB
DESIGNED	- LMB
DRAWN	- LMB
CHECKED	- WBS
DATE	- 4/30/2021
REVISIONS	
REVISED	-
REVISED	-
REVISED	-
REVISED	-

STATE OF ILLINOIS
 DEPARTMENT OF TRANSPORTATION

1"=10' H, 1"=5' V	
SCALE:	SHEET 25 OF 73 SHEETS
STA. 55+75.00 TO STA. 56+00.00	

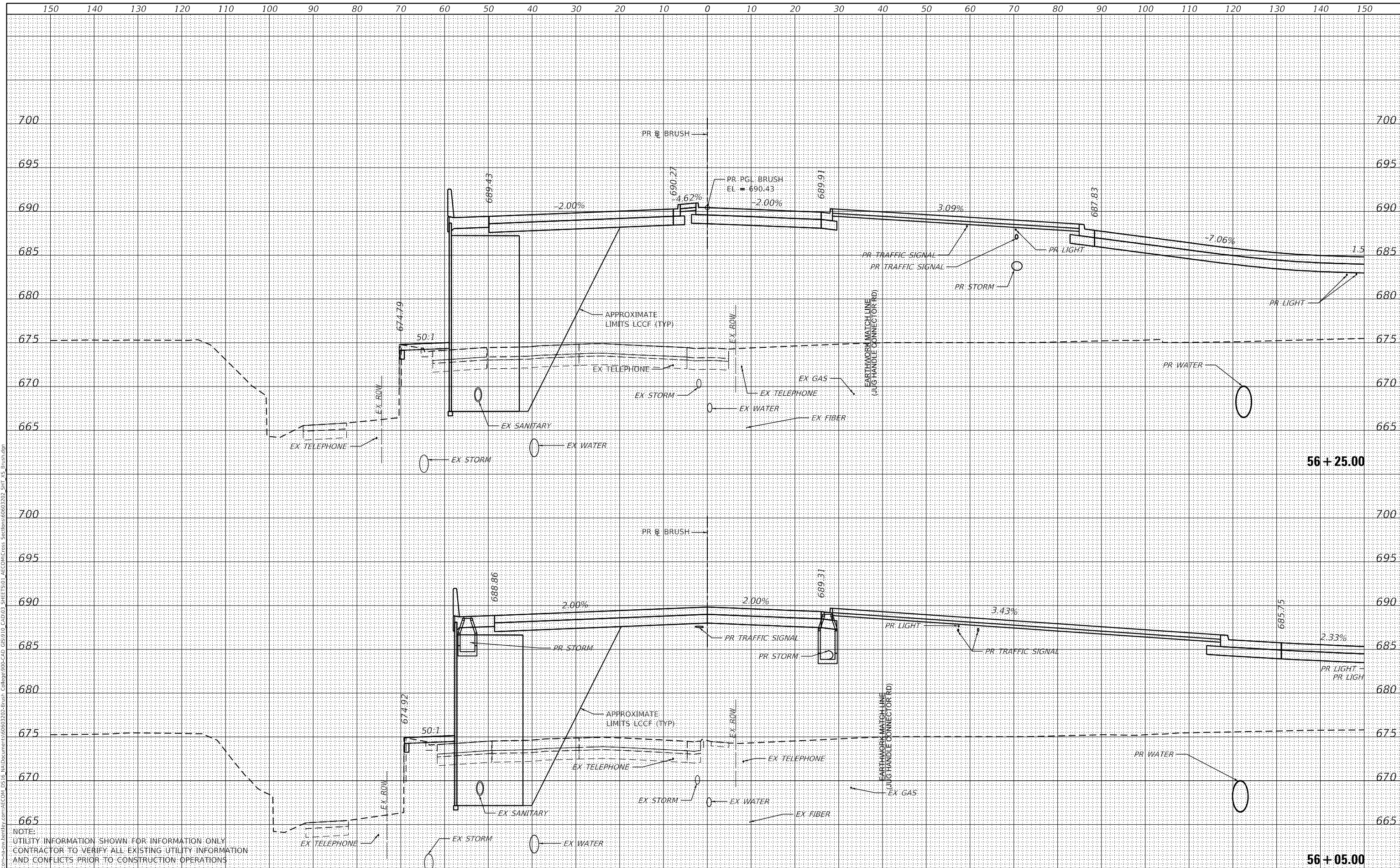
BRUSH COLLEGE ROAD
 CROSS SECTIONS

F.A.U. RTE.	SECTION	COUNTY	TOTAL SHEETS	SHEET NO.
7448	09-00933-01-BR	MACON	1019	777
CONTRACT NO. 95893				
ILLINOIS FED. AID PROJECT				

DATE	
BY	
FINAL SURVEY	SURVEYED
NOTE BOOK	PLOTTED
NO.	TEMPLATE
	AREAS CHECKED

DATE	
BY	
ORIGINAL SURVEY	SURVEYED
NOTE BOOK	PLOTTED
NO.	TEMPLATE
	AREAS CHECKED

NOTE:
 UTILITY INFORMATION SHOWN FOR INFORMATION ONLY.
 CONTRACTOR TO VERIFY ALL EXISTING UTILITY INFORMATION
 AND CONFLICTS PRIOR TO CONSTRUCTION OPERATIONS.



MODEL: Definit
 FILE NAME: D:\a\ecosys\p\h\brshcol\brshcol.dwg
 USER: SEARSB
 SHEET: 56+05.00
 DATE: 4/30/2021



USER NAME	= SEARSB
DESIGNED	- LMB
DRAWN	- LMB
CHECKED	- WBS
DATE	- 4/30/2021

REVISED	-
REVISED	-
REVISED	-
REVISED	-

**STATE OF ILLINOIS
 DEPARTMENT OF TRANSPORTATION**

1"=10' H, 1"=5' V
 SCALE:

**BRUSH COLLEGE ROAD
 CROSS SECTIONS**

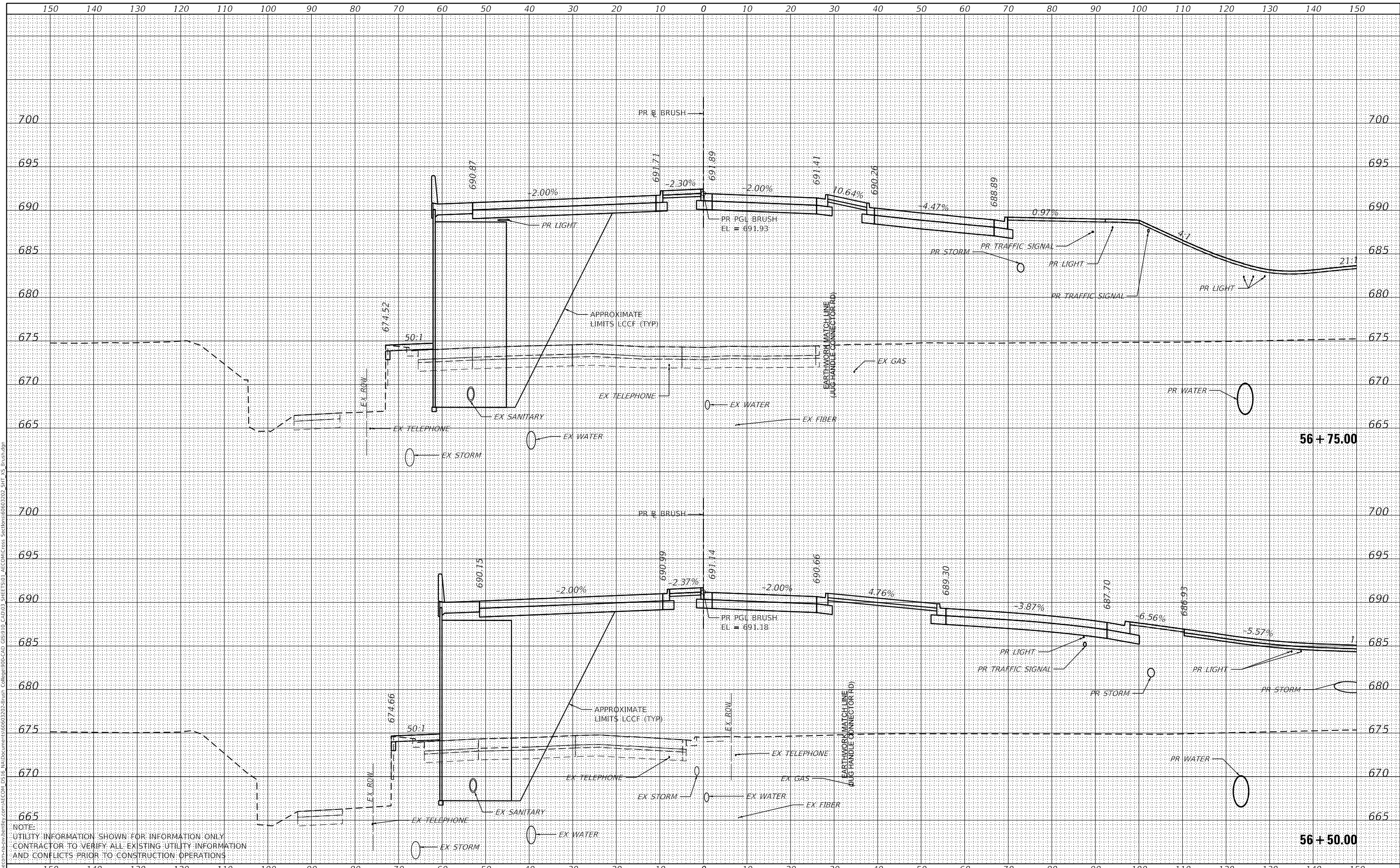
SHEET 26 OF 73 SHEETS STA. 56+05.00 TO STA. 56+25.00

F.A.U. RTE.	SECTION	COUNTY	TOTAL SHEETS	SHEET NO.
7448	09-00933-01-BR	MACON	1019	778
CONTRACT NO. 95893				
ILLINOIS FED. AID PROJECT				

DATE	
BY	
FINAL SURVEY	SURVEYED
NOTE BOOK	PLOTTED
NO.	TEMPLATE
	AREAS CHECKED

DATE	
BY	
ORIGINAL SURVEY	SURVEYED
NOTE BOOK	PLOTTED
NO.	TEMPLATE
	AREAS CHECKED

MODEL: Default
 FILE NAME: D:\a\acomb\p\brush\brush.dwg
 PROJECT: 09-00933-01-BR
 SHEET: 27 OF 73
 DATE: 4/30/2021



NOTE:
 UTILITY INFORMATION SHOWN FOR INFORMATION ONLY.
 CONTRACTOR TO VERIFY ALL EXISTING UTILITY INFORMATION
 AND CONFLICTS PRIOR TO CONSTRUCTION OPERATIONS.



USER NAME	=SearsB
DESIGNED	- LMB
DRAWN	- LMB
CHECKED	- WBS
DATE	- 4/30/2021

REVISED	-
REVISED	-
REVISED	-
REVISED	-

STATE OF ILLINOIS
 DEPARTMENT OF TRANSPORTATION

1"=10' H, 1"=5' V
 SCALE:

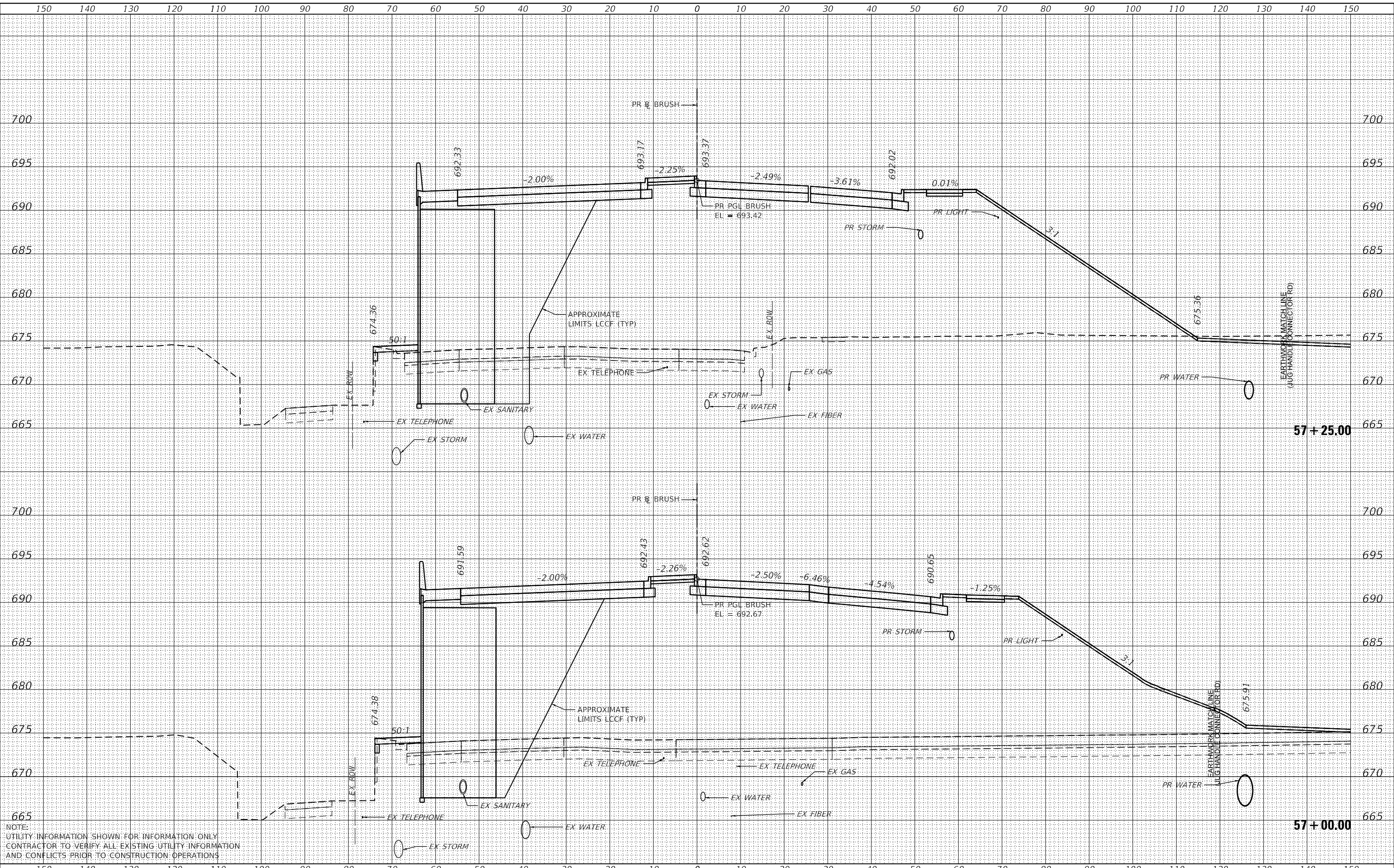
BRUSH COLLEGE ROAD
 CROSS SECTIONS
 SHEET 27 OF 73 SHEETS
 STA. 56+50.00 TO STA. 56+75.00

F.A.U. RTE.	SECTION	COUNTY	TOTAL SHEETS	SHEET NO.
7448	09-00933-01-BR	MACON	1019	779
CONTRACT NO. 95893				
ILLINOIS FED. AID PROJECT				

DATE	
BY	
FINAL SURVEY	SURVEYED
NOTE BOOK	PLOTTED
NO.	TEMPLATE
	AREAS CHECKED

DATE	
BY	
ORIGINAL SURVEY	SURVEYED
NOTE BOOK	PLOTTED
NO.	TEMPLATE
	AREAS CHECKED

MODEL: Default
 FILE NAME: D:\a\acombas\sw\hendley\com\AECOM_D515\1\1\Documents\60603202-Brush\College09-CAD\GIS\910_CAD\03_SHEETS\01_AECOM\Cross_Section\60603202_SHT_58_Brush.dwg



NOTE:
 UTILITY INFORMATION SHOWN FOR INFORMATION ONLY
 CONTRACTOR TO VERIFY ALL EXISTING UTILITY INFORMATION
 AND CONFLICTS PRIOR TO CONSTRUCTION OPERATIONS



USER NAME	= SearsB
DESIGNED	- LMB
DRAWN	- LMB
CHECKED	- WBS
DATE	- 4/30/2021
PLOT SCALE	= 20,0000' / in.
PLOT DATE	= 5/5/2021

REVISED	-
REVISED	-
REVISED	-
REVISED	-

STATE OF ILLINOIS
 DEPARTMENT OF TRANSPORTATION

1"=10' H, 1"=5' V
 SCALE:

BRUSH COLLEGE ROAD
 CROSS SECTIONS

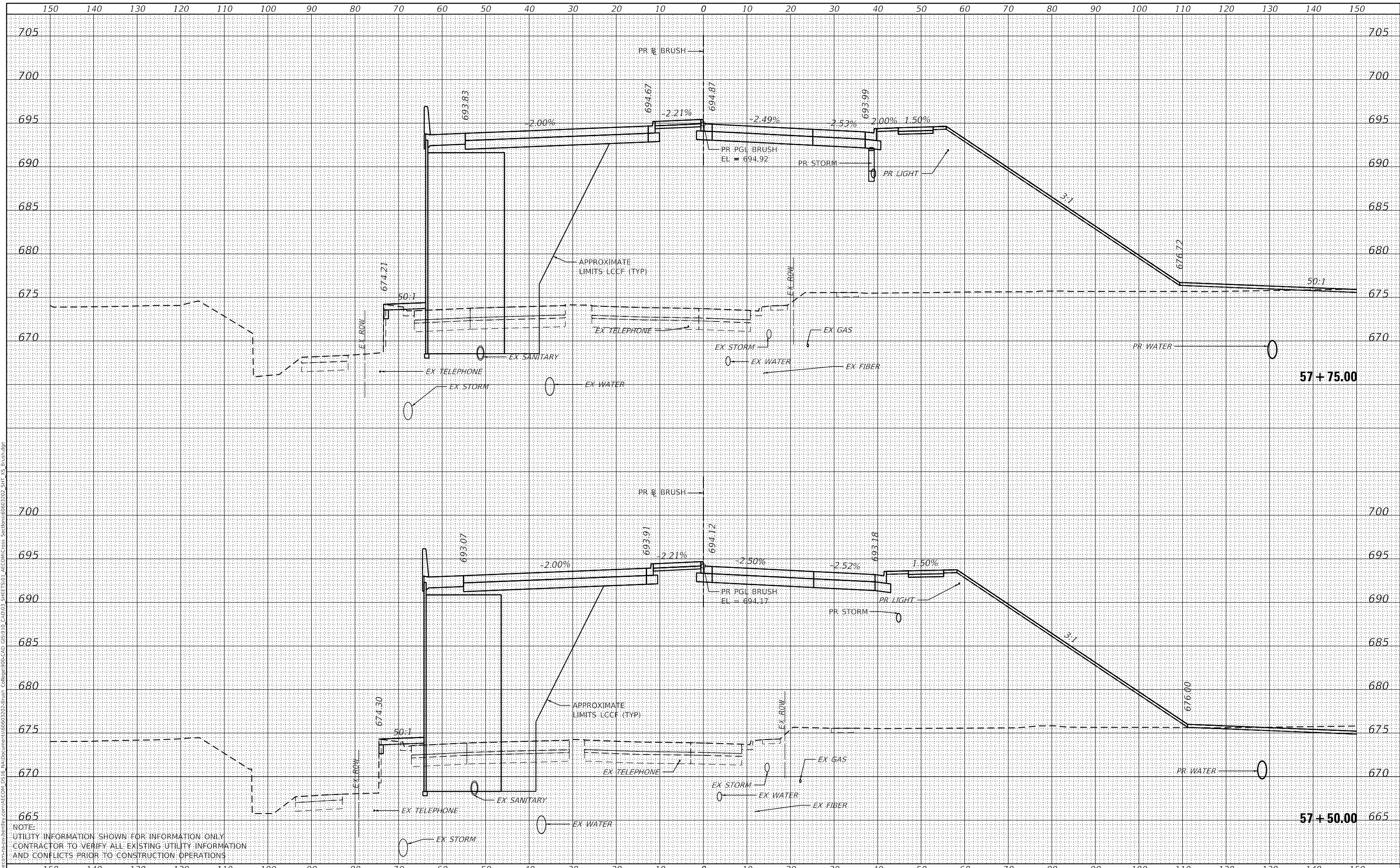
SHEET 28 OF 73 SHEETS STA. 57+00.00 TO STA. 57+25.00

F.A.U. RTE.	SECTION	COUNTY	TOTAL SHEETS	SHEET NO.
7448	09-00933-01-BR	MACON	1019	780
CONTRACT NO. 95893				
ILLINOIS FED. AID PROJECT				

FINAL SURVEY NO.	SURVEYED	DATE
NOTE BOOK NO.	PLOTTED	BY
AREAS CHECKED	TEMPLATE	
	AREAS CHECKED	

ORIGINAL SURVEY NO.	SURVEYED	DATE
NOTE BOOK NO.	PLOTTED	BY
AREAS CHECKED	TEMPLATE	
	AREAS CHECKED	

MODEL: Default
 FILE NAME: D:\a\acomm\p\brush\brush.dwg
 PROJECT: 09-00933-01-Brush
 SHEET: 29 OF 73
 DATE: 4/30/2021



NOTE:
 UTILITY INFORMATION SHOWN FOR INFORMATION ONLY.
 CONTRACTOR TO VERIFY ALL EXISTING UTILITY INFORMATION
 AND CONFLICTS PRIOR TO CONSTRUCTION OPERATIONS.



USER NAME = SearsB	DESIGNED - LMB	REVISED -
	DRAWN - LMB	REVISED -
PLOT SCALE = 20,0000' / in.	CHECKED - WBS	REVISED -
PLOT DATE = 5/5/2021	DATE - 4/30/2021	REVISED -

DESIGNED - LMB	REVISED -
DRAWN - LMB	REVISED -
CHECKED - WBS	REVISED -
DATE - 4/30/2021	REVISED -

STATE OF ILLINOIS
 DEPARTMENT OF TRANSPORTATION

1"=10' H, 1"=5' V
 SCALE:

BRUSH COLLEGE ROAD
 CROSS SECTIONS

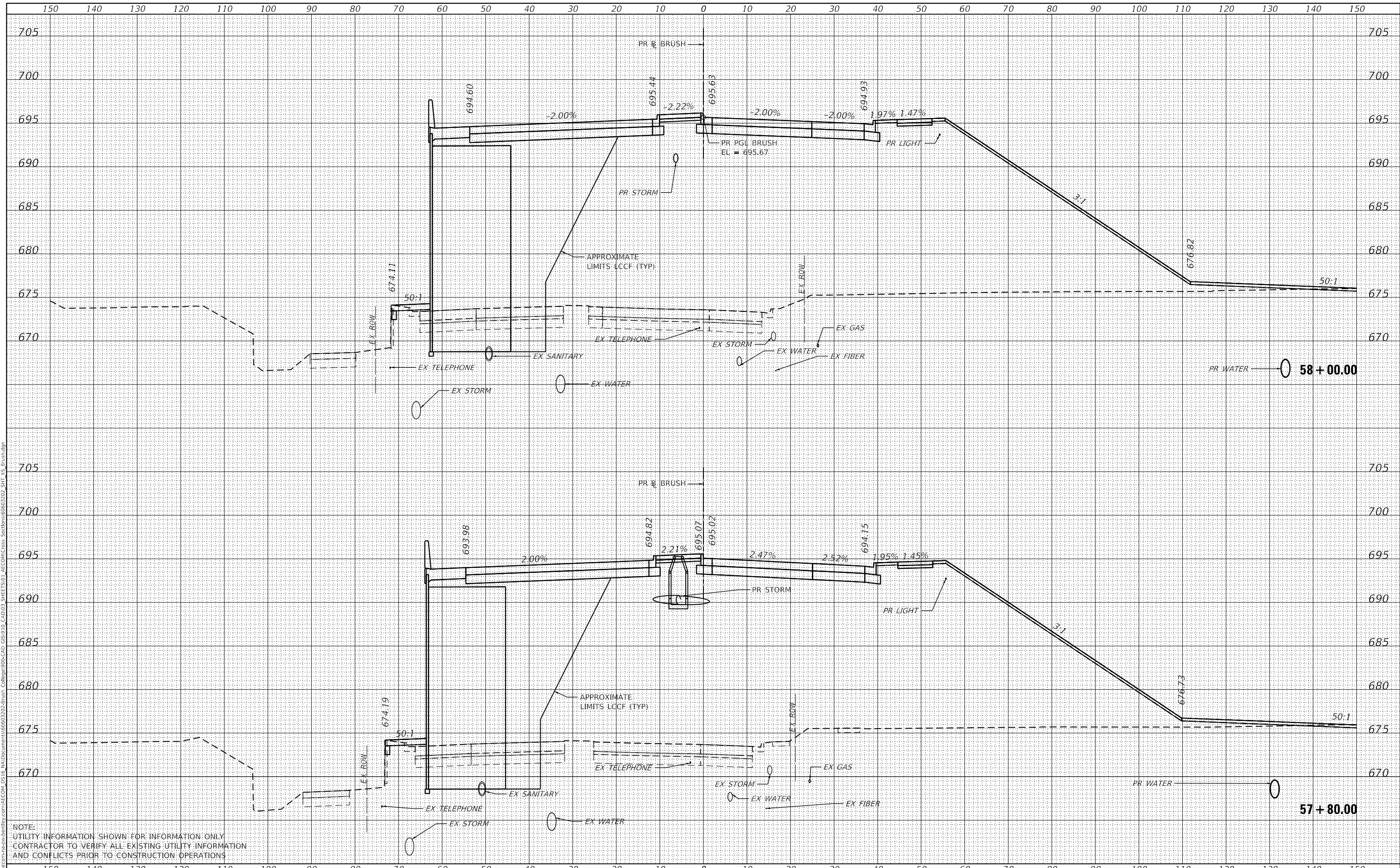
SHEET 29 OF 73 SHEETS STA. 57+50.00 TO STA. 57+75.00

F.A.U. RTE.	SECTION	COUNTY	TOTAL SHEETS	SHEET NO.
7448	09-00933-01-BR	MACON	1019	781
CONTRACT NO. 95893				
ILLINOIS FED. AID PROJECT				

DATE	
BY	
FINAL SURVEY	SURVEYED
NOTE BOOK	PLOTTED
NO.	TEMPLATE
	AREAS CHECKED

DATE	
BY	
ORIGINAL SURVEY	SURVEYED
NOTE BOOK	PLOTTED
NO.	TEMPLATE
	AREAS CHECKED

MODEL: Definit
 FILE NAME: D:\aecom\p95\brush\brush\brush\College09-03-2021\AECOM\Cross Sections\09-03-2021_SHT_58_Brush.dwg
 345 EAST ASH AVENUE
 DECATUR, IL 62526
 PHONE: (217) 775-4665



NOTE:
 UTILITY INFORMATION SHOWN FOR INFORMATION ONLY.
 CONTRACTOR TO VERIFY ALL EXISTING UTILITY INFORMATION
 AND CONFLICTS PRIOR TO CONSTRUCTION OPERATIONS



USER NAME	= SearsB
DESIGNED	- LMB
DRAWN	- LMB
CHECKED	- WBS
DATE	- 4/30/2021
REVISIONS	
REVISED	-
REVISED	-
REVISED	-
REVISED	-

DESIGNED	- LMB
DRAWN	- LMB
CHECKED	- WBS
DATE	- 4/30/2021
REVISIONS	
REVISED	-
REVISED	-
REVISED	-
REVISED	-

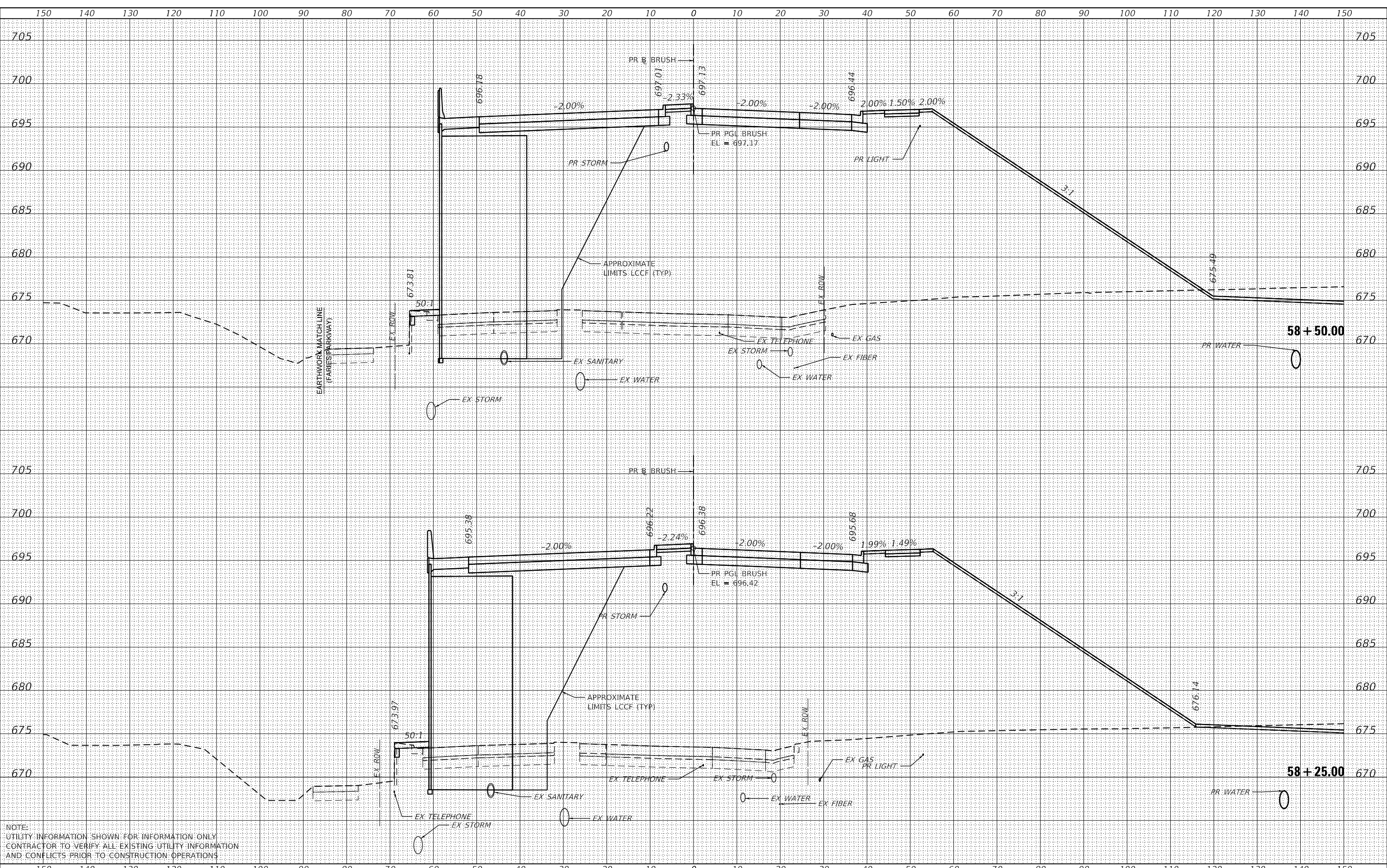
**STATE OF ILLINOIS
 DEPARTMENT OF TRANSPORTATION**

1"=10' H, 1"=5' V
 SCALE:

**BRUSH COLLEGE ROAD
 CROSS SECTIONS**

SHEET 30 OF 73 SHEETS STA. 57+80.00 TO STA. 58+00.00

F.A.U. RTE.	SECTION	COUNTY	TOTAL SHEETS	SHEET NO.
7448	09-00933-01-BR	MACON	1019	782
CONTRACT NO. 95893				
ILLINOIS FED. AID PROJECT				



NOTE:
 UTILITY INFORMATION SHOWN FOR INFORMATION ONLY
 CONTRACTOR TO VERIFY ALL EXISTING UTILITY INFORMATION
 AND CONFLICTS PRIOR TO CONSTRUCTION OPERATIONS

DATE	
BY	
SURVEYED	
PLOTTED	
TEMPLATE	
NOTED	
AREAS CHECKED	
NO.	

DATE	
BY	
SURVEYED	
PLOTTED	
TEMPLATE	
NOTED	
AREAS CHECKED	
NO.	

MODEL: Definit
 FILE NAME: I:\data\comps\sw\hobby\comps\ecom\DS\B\I\tdocuments\60603202\brush\CollegeRd-Cross_Section\60603202_SHT_58-Brush.dgn

345 EAST ASH AVENUE
 DECATUR, IL 62526
 PHONE: (217) 775-6065

USER NAME = SearsB	DESIGNED - LMB	REVISD -
	DRAWN - LMB	REVISD -
PLOT SCALE = 20.0000' / in.	CHECKED - WBS	REVISD -
PLOT DATE = 5/5/2021	DATE - 4/30/2021	REVISD -

	REVISD -
	REVISD -
	REVISD -
	REVISD -

**STATE OF ILLINOIS
 DEPARTMENT OF TRANSPORTATION**

1"=10' H. 1"=5' V
 SCALE:

**BRUSH COLLEGE ROAD
 CROSS SECTIONS**

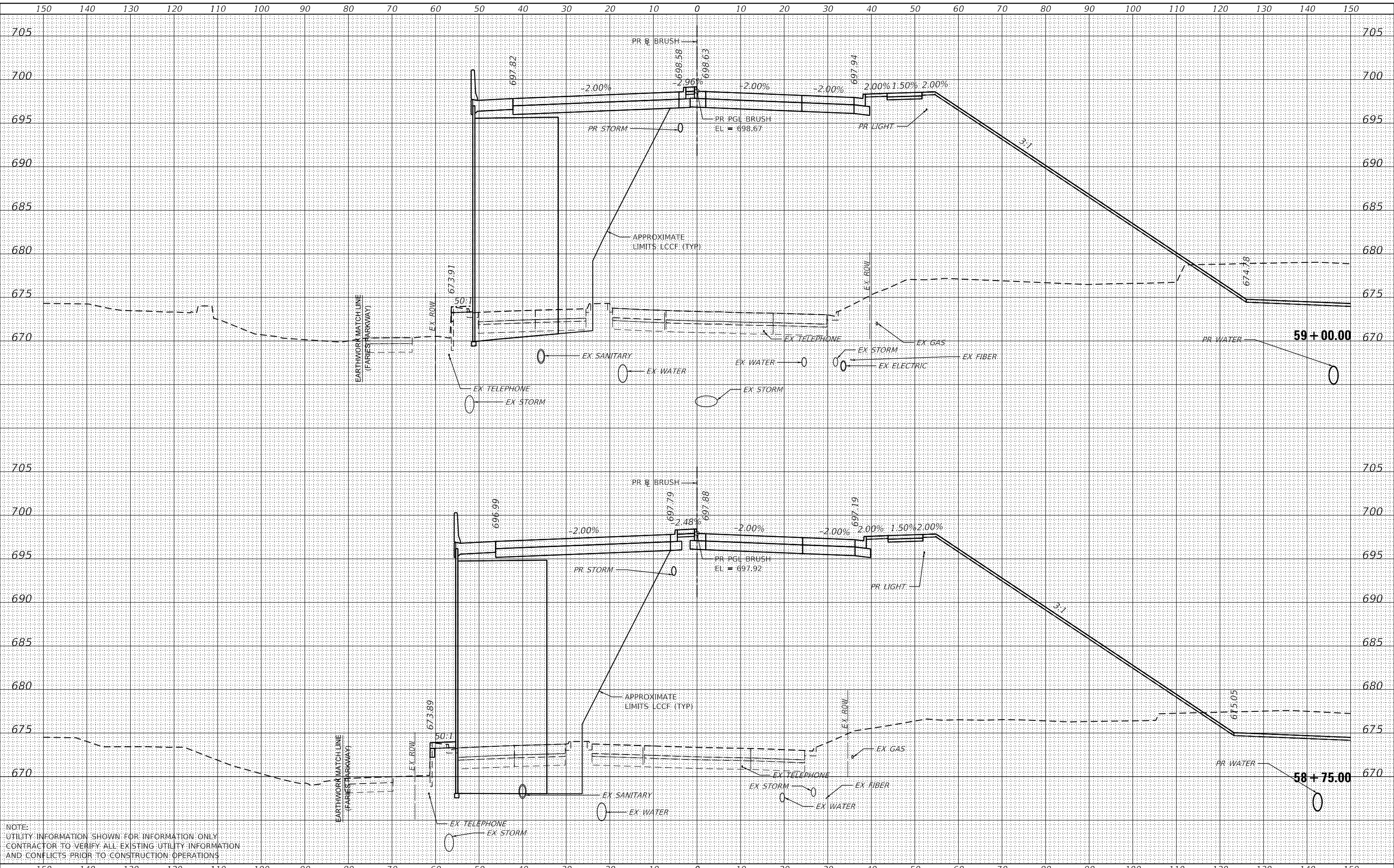
STA. 58+25.00 TO STA. 58+50.00

F.A.U. RTE.	SECTION	COUNTY	TOTAL SHEETS	SHEET NO.
7448	09-00933-01-BR	MACON	1019	783
CONTRACT NO. 95893				
ILLINOIS FED. AID PROJECT				

DATE	
BY	
FINAL SURVEY	SURVEYED
NOTE BOOK	PLOTTED
NO.	TEMPLATE
	AREAS CHECKED

DATE	
BY	
ORIGINAL SURVEY	SURVEYED
NOTE BOOK	PLOTTED
NO.	TEMPLATE
	AREAS CHECKED

MODEL: Definit
 FILE NAME: D:\a\acomp\msh\shelley.com\AECOM_D515\1\Documents\60603202-Brush\College09-01-01-03_SHEETS\01_AECOM\Cross Sections\60603202_SHT_58-Brush.dgn



NOTE:
 UTILITY INFORMATION SHOWN FOR INFORMATION ONLY
 CONTRACTOR TO VERIFY ALL EXISTING UTILITY INFORMATION
 AND CONFLICTS PRIOR TO CONSTRUCTION OPERATIONS



USER NAME =	SearsB
DESIGNED -	LMB
DRAWN -	LMB
CHECKED -	WBS
DATE -	4/30/2021

REVISED -	
REVISED -	
REVISED -	
REVISED -	

STATE OF ILLINOIS
 DEPARTMENT OF TRANSPORTATION

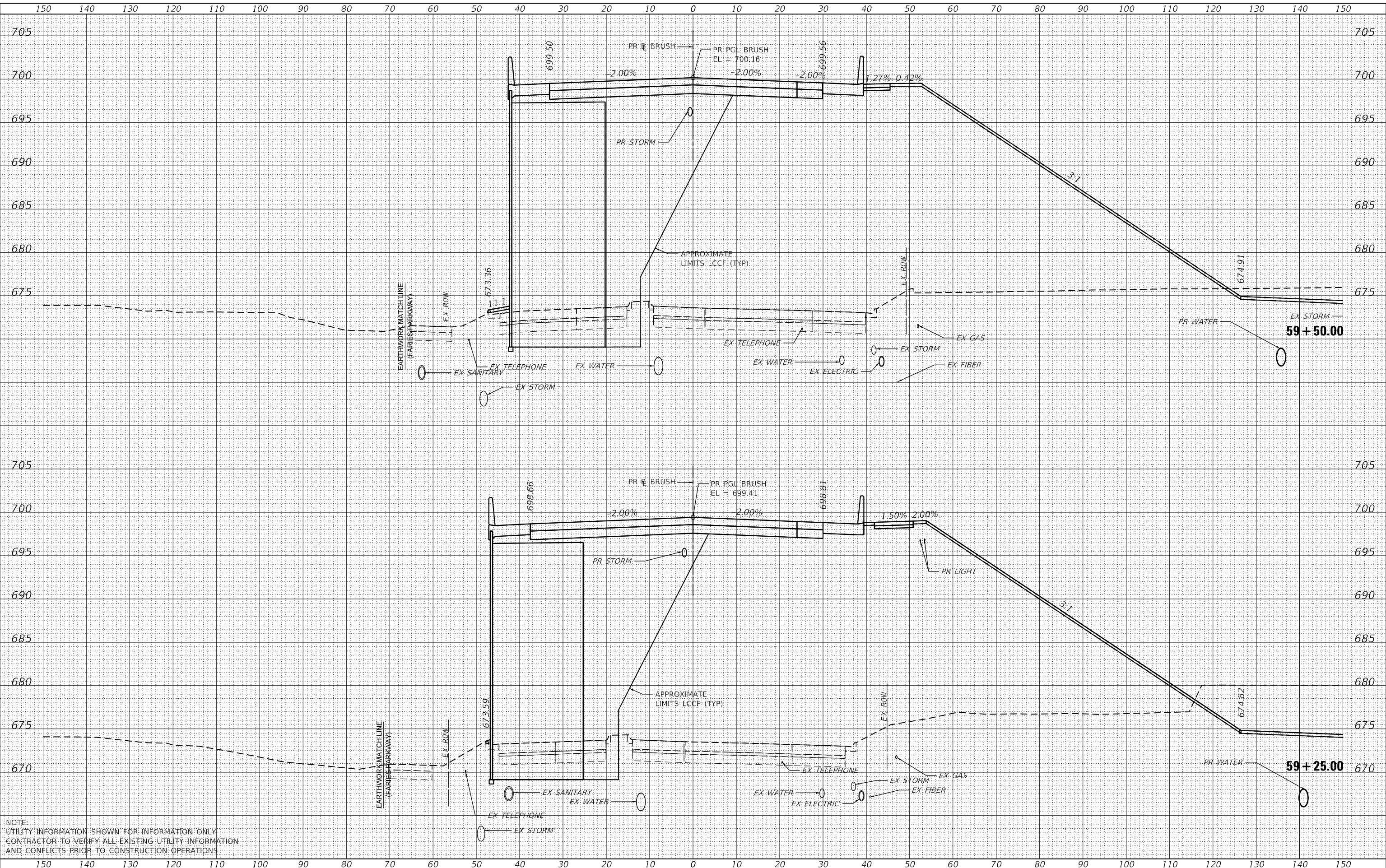
BRUSH COLLEGE ROAD
 CROSS SECTIONS
 1"=10' H, 1"=5' V
 SCALE: SHEET 32 OF 73 SHEETS STA. 58+75.00 TO STA. 59+00.00

F.A.U. RTE.	SECTION	COUNTY	TOTAL SHEETS	SHEET NO.
7448	09-00933-01-BR	MACON	1019	784
CONTRACT NO. 95893				
ILLINOIS FED. AID PROJECT				

DATE	
BY	
FINAL SURVEY	SURVEYED
NOTE BOOK	PLOTTED
	TEMPLATE
	AREAS CHECKED
	AREAS CHECKED

DATE	
BY	
ORIGINAL SURVEY	SURVEYED
NOTE BOOK	PLOTTED
	TEMPLATE
	AREAS CHECKED
	AREAS CHECKED

MODEL: Definit
 FILE NAME: D:\a\m\p\h\sw\h\td\com\AECOM_D515\In\Documents\680693202-Brush\College09-CAD\GIS09-D_CAD\03_SHEET500_AECOM\Cross_Section680693202_SHT_50-Brush.dgn



NOTE:
 UTILITY INFORMATION SHOWN FOR INFORMATION ONLY
 CONTRACTOR TO VERIFY ALL EXISTING UTILITY INFORMATION
 AND CONFLICTS PRIOR TO CONSTRUCTION OPERATIONS



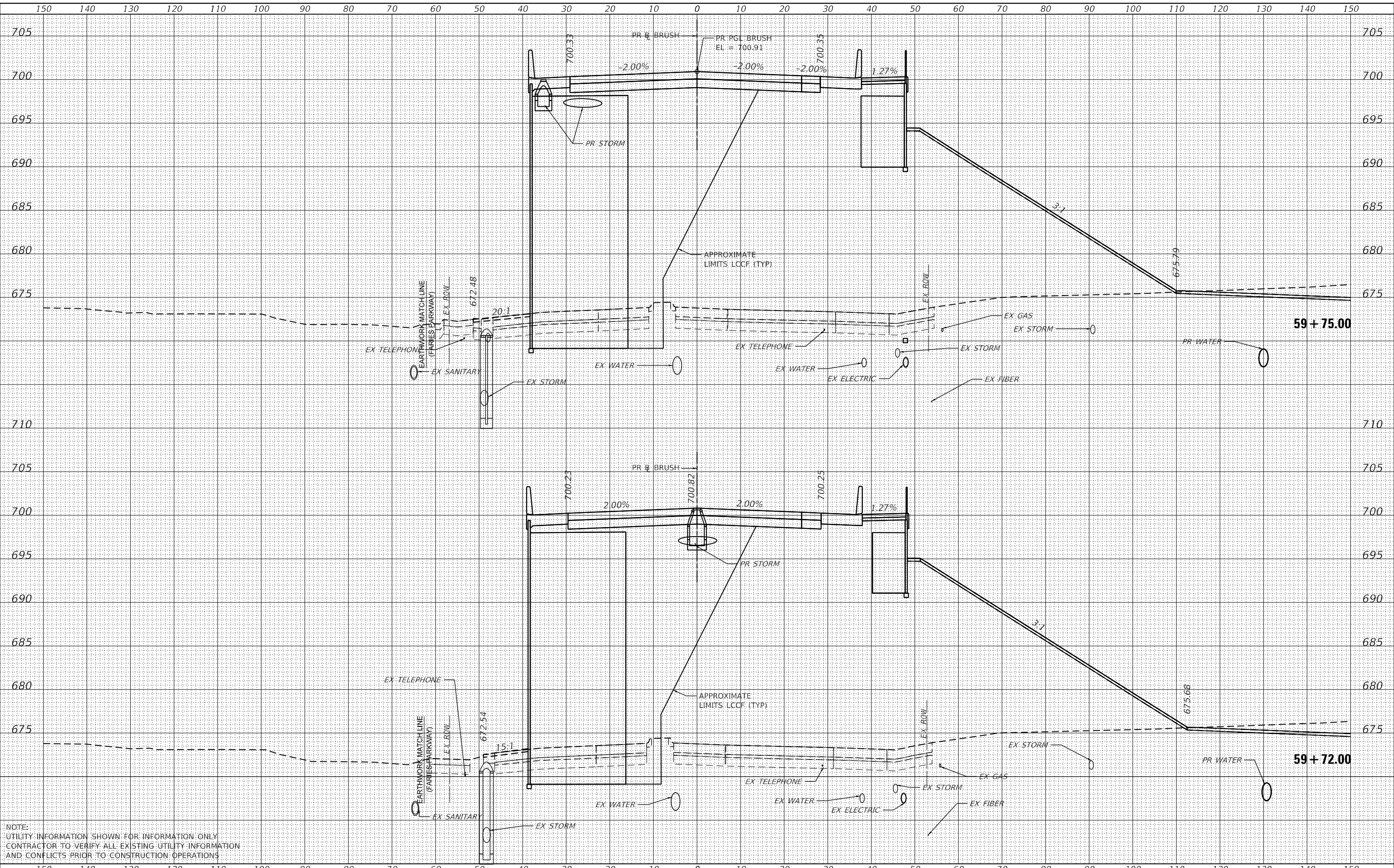
USER NAME	= SearsB
DESIGNED	- LMB
DRAWN	- LMB
CHECKED	- WBS
DATE	- 4/30/2021

REVISED	-
REVISED	-
REVISED	-
REVISED	-

STATE OF ILLINOIS
 DEPARTMENT OF TRANSPORTATION

BRUSH COLLEGE ROAD
 CROSS SECTIONS
 1"=10' H, 1"=5' V
 SCALE: SHEET 33 OF 73 SHEETS STA. 59+25.00 TO STA. 59+50.00

F.A.U. RTE.	SECTION	COUNTY	TOTAL SHEETS	SHEET NO.
7448	09-00933-01-BR	MACON	1019	785
CONTRACT NO. 95893				
ILLINOIS FED. AID PROJECT				



DATE	
BY	
FINAL SURVEY	SURVEYED
NOTE BOOK	PLOTTED
NO.	TEMPLATE
	AREAS CHECKED

DATE	
BY	
ORIGINAL SURVEY	SURVEYED
NOTE BOOK	PLOTTED
NO.	TEMPLATE
	AREAS CHECKED

NOTE:
 UTILITY INFORMATION SHOWN FOR INFORMATION ONLY.
 CONTRACTOR TO VERIFY ALL EXISTING UTILITY INFORMATION
 AND CONFLICTS PRIOR TO CONSTRUCTION OPERATIONS.

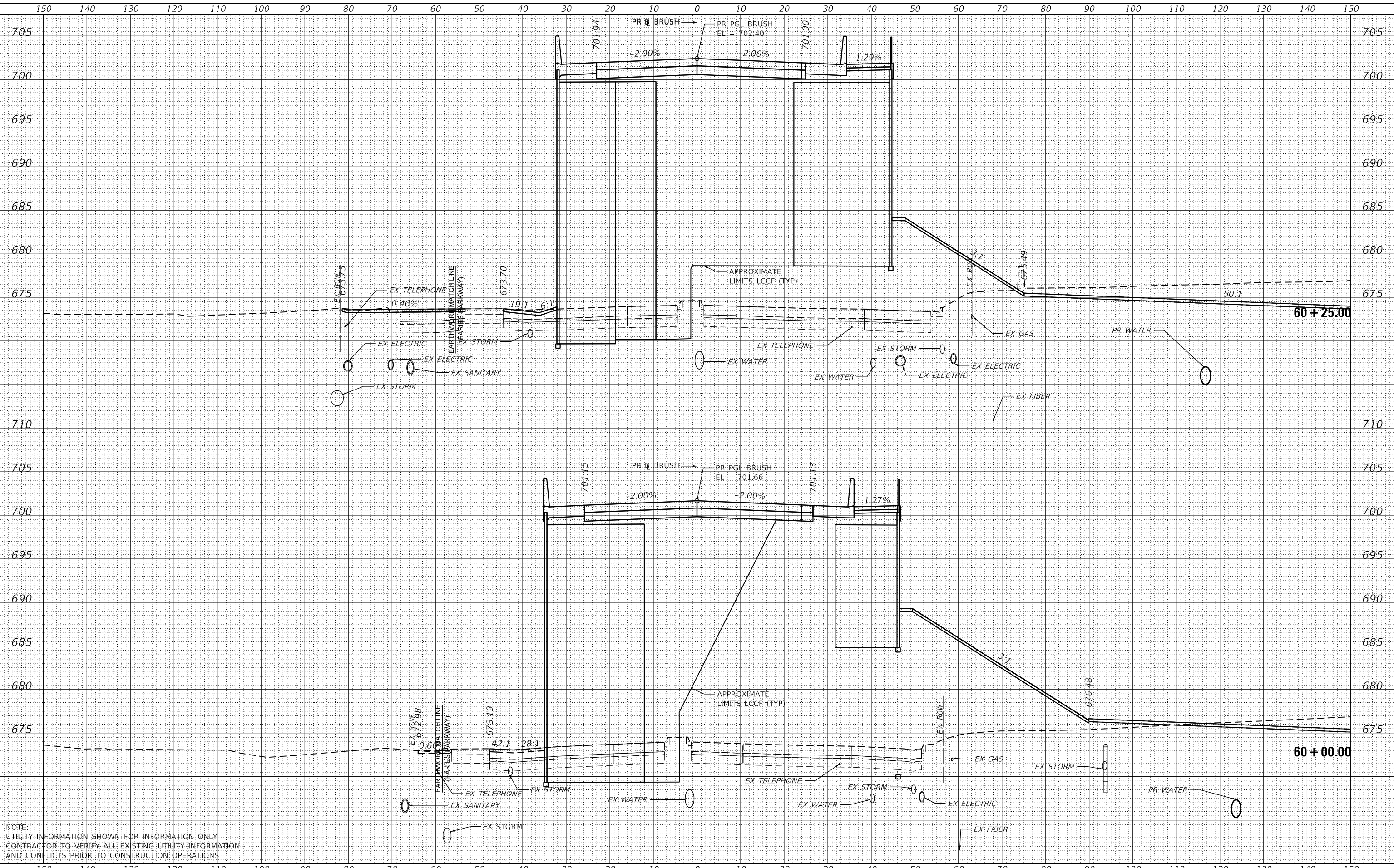
MODEL: Definit
 FILE NAME: D:\a\bruce\msh\bruce\hobby\com\AECOM_D5\B\I\Documents\09-00933-01-00-03-SHEETS\01-AECOM\Cross Sections\0903302_SHT_59-Brush.dwg

	USER NAME = SearsB	DESIGNED - LMB	REVISED -	STATE OF ILLINOIS DEPARTMENT OF TRANSPORTATION	BRUSH COLLEGE ROAD CROSS SECTIONS	F.A.U. RTE. 7448	SECTION 09-00933-01-BR	COUNTY MACON	TOTAL SHEETS 1019	SHEET NO. 786
	PLOT SCALE = 20,0000' / in.	CHECKED - WBS	REVISED -			SCALE: 1"=10' H, 1"=5' V	SHEET 34 OF 73 SHEETS	STA. 59+72.00 TO STA. 59+75.00	CONTRACT NO. 95893	
	PLOT DATE = 5/5/2021	DATE - 4/30/2021	REVISED -							

DATE	
BY	
FINAL SURVEY	
PLOTTED	
TEMPLATE	
NOTE BOOK	
AREAS CHECKED	

DATE	
BY	
ORIGINAL SURVEY	
PLOTTED	
TEMPLATE	
NOTE BOOK	
AREAS CHECKED	

MODEL: Definit
 FILE NAME: D:\a\acomp\msh\shw\hobby\com\AECOM_D515\Ia\Documents\6003202-Brush\College09-CAD_GIS\910_CAD\03_SHEETS\01_AECOM\Cross_Section\6003202_SHT_US_Brush.dwg



NOTE:
 UTILITY INFORMATION SHOWN FOR INFORMATION ONLY
 CONTRACTOR TO VERIFY ALL EXISTING UTILITY INFORMATION
 AND CONFLICTS PRIOR TO CONSTRUCTION OPERATIONS



USER NAME	= SearsB
DESIGNED	- LMB
DRAWN	- LMB
PLOT SCALE	= 20.0000' / in.
PLOT DATE	= 5/5/2021

REVISD	-
REVISD	-
REVISD	-
REVISD	-

STATE OF ILLINOIS
 DEPARTMENT OF TRANSPORTATION

1"=10' H, 1"=5' V
 SCALE:

BRUSH COLLEGE ROAD
 CROSS SECTIONS

SHEET 35 OF 73 SHEETS STA. 60+00.00 TO STA. 60+25.00

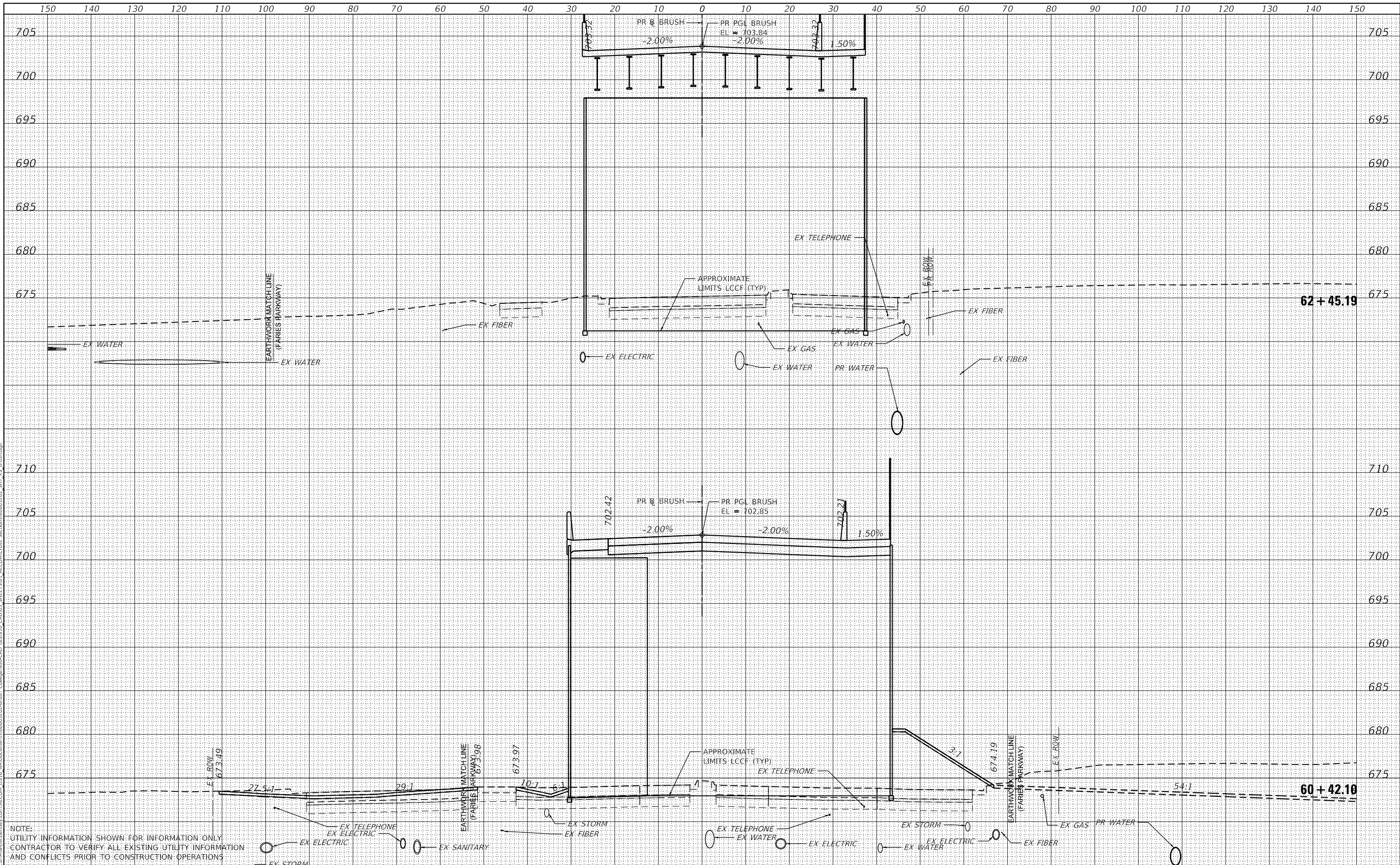
F.A.U. RTE.	SECTION	COUNTY	TOTAL SHEETS	SHEET NO.
7448	09-00933-01-BR	MACON	1019	787
CONTRACT NO. 95893				

ILLINOIS FED. AID PROJECT

FINAL	
SURVEYED	DATE
PLOTTED	BY
TEMPLATE	
NOTE BOOK	
AREAS CHECKED	

ORIGINAL	
SURVEYED	DATE
PLOTTED	BY
TEMPLATE	
NOTE BOOK	
AREAS CHECKED	

MODEL: Default
FILE NAME: D:\workspace\msh\hrbentley.com\AECOM_D510\MainDocuments\6003202-Brush\Collig\09-Cross Sections\03202_SHT_US_Brush.dwg
G:\S910_CAD\03_SHEETS\01_AECOM\Cross Sections\03202_SHT_US_Brush.dwg



NOTE:
UTILITY INFORMATION SHOWN FOR INFORMATION ONLY.
CONTRACTOR TO VERIFY ALL EXISTING UTILITY INFORMATION
AND CONFLICTS PRIOR TO CONSTRUCTION OPERATIONS.



USER NAME = SearsB
DESIGNED - LMB
DRAWN - LMB
CHECKED - WBS
DATE - 4/30/2021

REVISD -
REVISED -
REVISED -
REVISED -

STATE OF ILLINOIS
DEPARTMENT OF TRANSPORTATION

1"=10' H. 1"=5' V
SCALE:

BRUSH COLLEGE ROAD
CROSS SECTIONS

SHEET 36 OF 73 SHEETS STA. 60+42.10 TO STA. 62+45.19

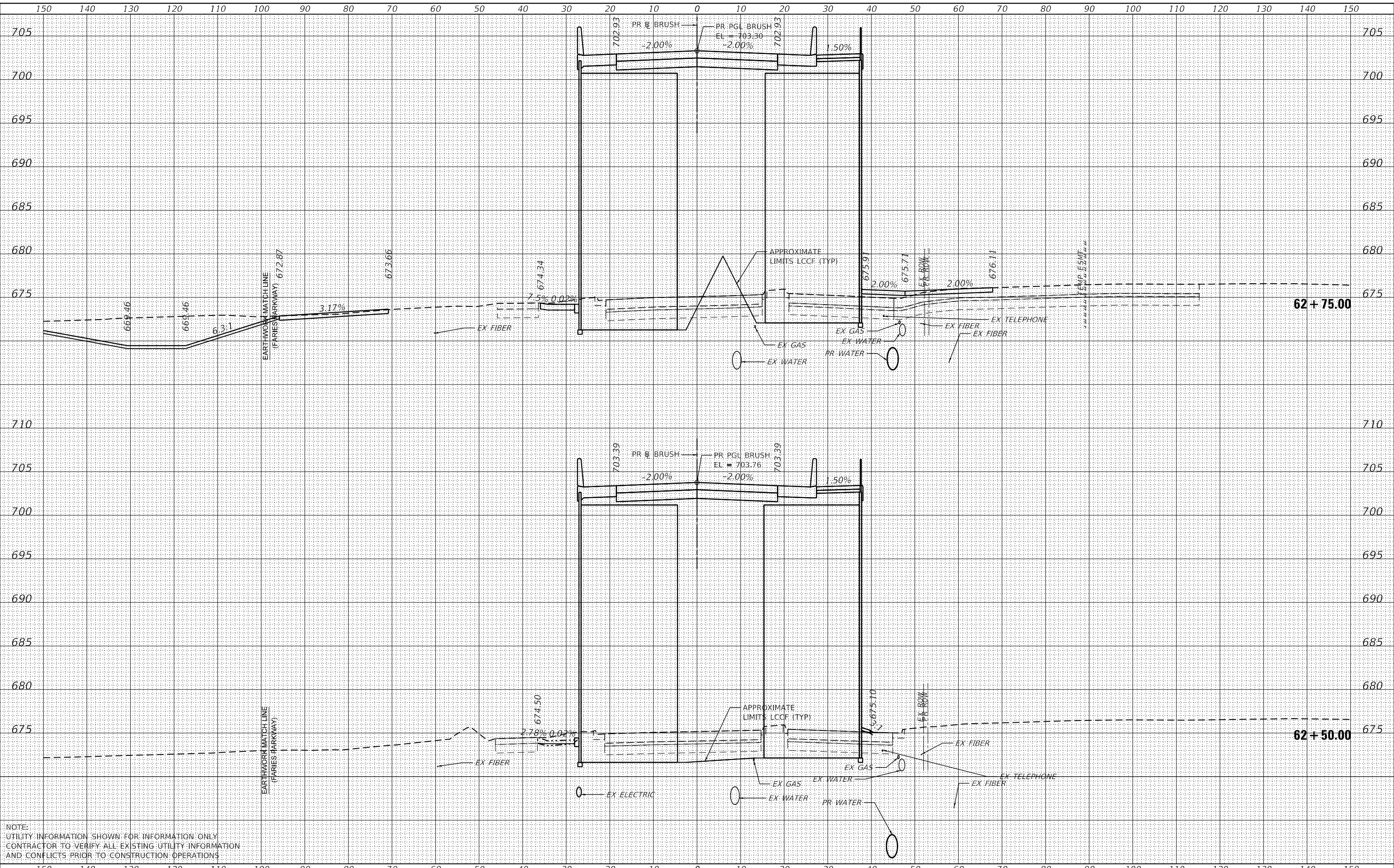
F.A.U. RTE.	SECTION	COUNTY	TOTAL SHEETS	SHEET NO.
7448	09-00933-01-BR	MACON	1019	788

CONTRACT NO. 95893
ILLINOIS FED. AID PROJECT

DATE	
BY	
FINAL SURVEY	SURVEYED
NOTE BOOK	PLOTTED
NO.	TEMPLATE
	AREAS CHECKED

DATE	
BY	
ORIGINAL SURVEY	SURVEYED
NOTE BOOK	PLOTTED
NO.	TEMPLATE
	AREAS CHECKED

MODEL: Definit
 FILE NAME: D:\a\acomb\p15-sw-hendley\com\AECOM_D515\1\Documents\60903202-Brush\Collage\90-CAD\03_SHEET\501_AECOM\Cross_Section\60903202_SHT_50_Brush.dwg



NOTE:
 UTILITY INFORMATION SHOWN FOR INFORMATION ONLY
 CONTRACTOR TO VERIFY ALL EXISTING UTILITY INFORMATION
 AND CONFLICTS PRIOR TO CONSTRUCTION OPERATIONS



USER NAME	= monica.crinion
DESIGNED	- LMB
DRAWN	- LMB
CHECKED	- WBS
DATE	- 10/22/2021

REVISED	-
REVISED	-
REVISED	-
REVISED	-

STATE OF ILLINOIS
 DEPARTMENT OF TRANSPORTATION

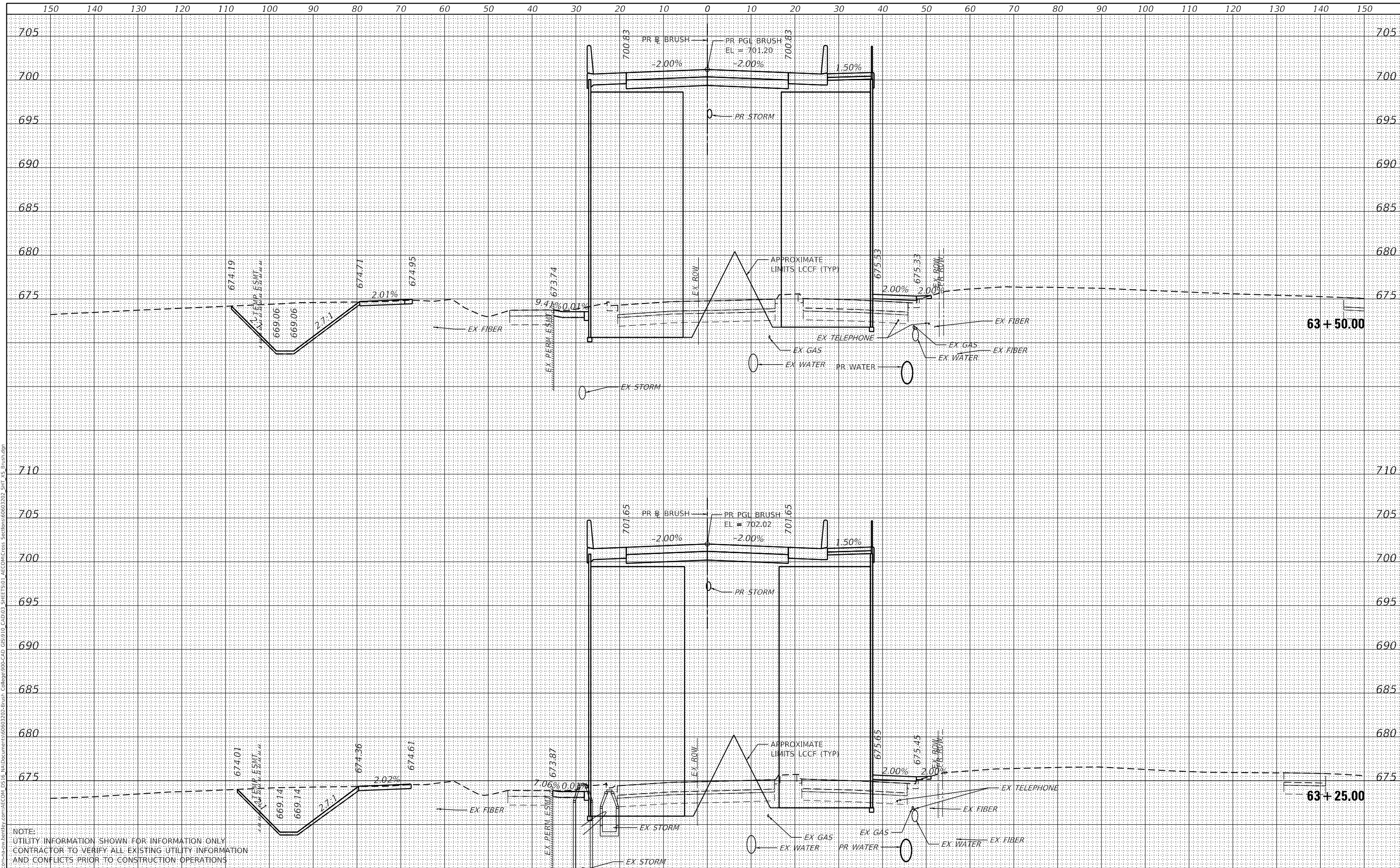
BRUSH COLLEGE ROAD
 CROSS SECTIONS
 1"=10' H, 1"=5' V
 SCALE: SHEET 37 OF 73 SHEETS STA. 62+50.00 TO STA. 62+75.00

F.A.U. RTE.	SECTION	COUNTY	TOTAL SHEETS	SHEET NO.
7448	09-00933-01-BR	MACON	1019	789
CONTRACT NO. 95893				
ILLINOIS FED. AID PROJECT				

DATE	
BY	
FINAL SURVEY	SURVEYED
NOTE BOOK	PLOTTED
NO.	TEMPLATE
	AREAS CHECKED

DATE	
BY	
ORIGINAL SURVEY	SURVEYED
NOTE BOOK	PLOTTED
NO.	TEMPLATE
	AREAS CHECKED

MODEL: Definit
 FILE NAME: D:\aecom\msh\benhilly.com\AECOM_D515\IAD\Documents\60603202-Brush\Collage\00-CAD_GIS\910_CAD\03_SHEET\501_AECOM\Cross_Section\60603202_SHT_50_Brush.dwg



NOTE:
 UTILITY INFORMATION SHOWN FOR INFORMATION ONLY
 CONTRACTOR TO VERIFY ALL EXISTING UTILITY INFORMATION
 AND CONFLICTS PRIOR TO CONSTRUCTION OPERATIONS



USER NAME	= monica.crinion
DESIGNED	- LMB
DRAWN	- LMB
CHECKED	- WBS
DATE	- 10/22/2021

REVISED	-
REVISED	-
REVISED	-
REVISED	-

STATE OF ILLINOIS
 DEPARTMENT OF TRANSPORTATION

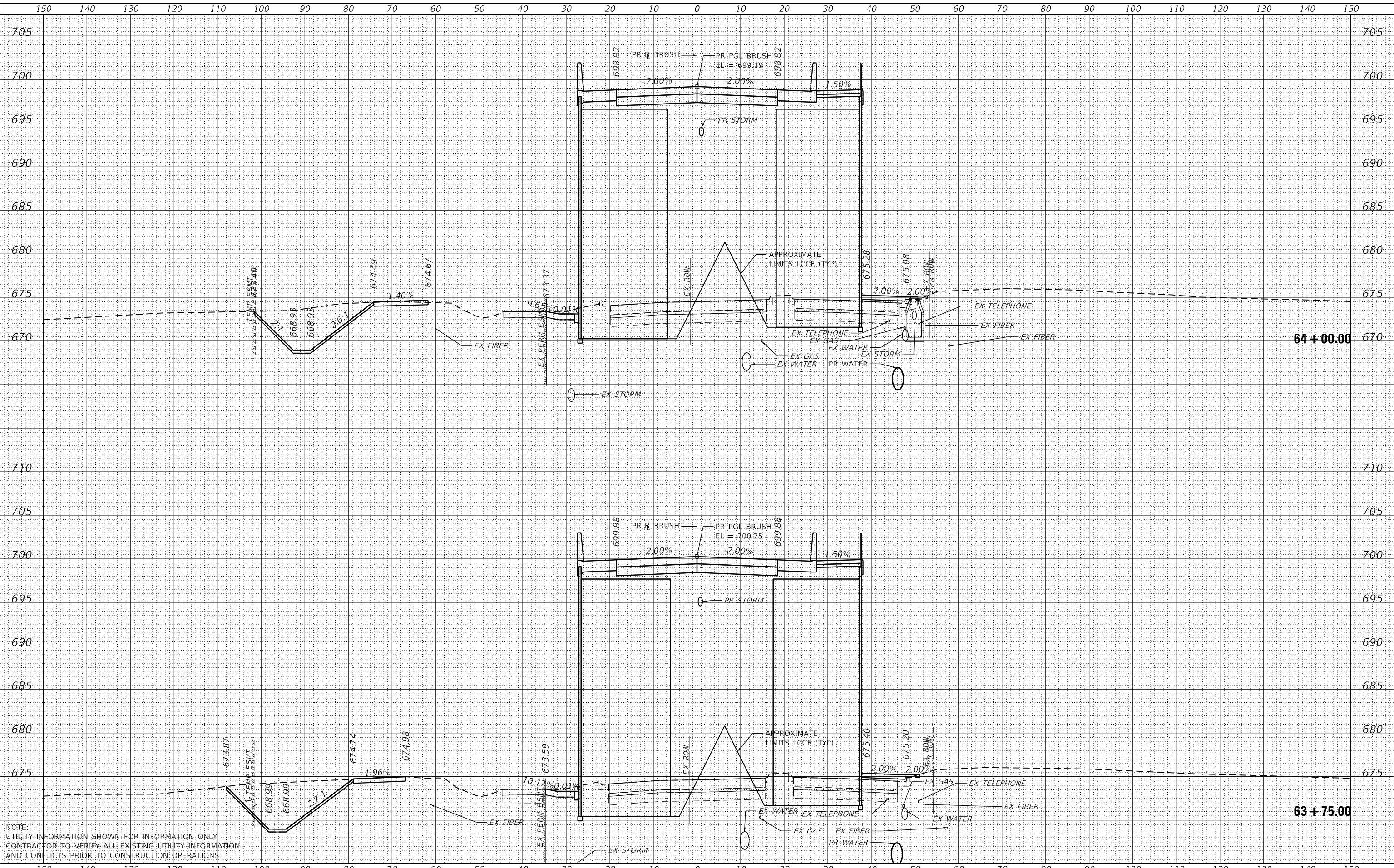
BRUSH COLLEGE ROAD
 CROSS SECTIONS
 1"=10' H, 1"=5' V
 SCALE: SHEET 39 OF 73 SHEETS STA. 63+25.00 TO STA. 63+50.00

F.A.U. RTE.	SECTION	COUNTY	TOTAL SHEETS	SHEET NO.
7448	09-00933-01-BR	MACON	1019	791
CONTRACT NO. 95893				
ILLINOIS FED. AID PROJECT				

DATE	
BY	
FINAL SURVEY	SURVEYED
NOTE BOOK	PLOTTED
NO.	TEMPLATE
	AREAS CHECKED

DATE	
BY	
ORIGINAL SURVEY	SURVEYED
NOTE BOOK	PLOTTED
NO.	TEMPLATE
	AREAS CHECKED

MODEL: Definit
 FILE NAME: D:\a\acomb\msh\shenley.com\AECOM_D515\Ia\Documents\60603202-Brush\College09-CAD_GIS\910_CAD\03_SHEETS\01_AECOM\Cross_Section\60603202_SHT_45_Brush.dwg



NOTE:
 UTILITY INFORMATION SHOWN FOR INFORMATION ONLY
 CONTRACTOR TO VERIFY ALL EXISTING UTILITY INFORMATION
 AND CONFLICTS PRIOR TO CONSTRUCTION OPERATIONS



USER NAME	= monica.crinion
DESIGNED	- LMB
DRAWN	- LMB
CHECKED	- WBS
DATE	- 10/22/2021

REVISED	-
REVISED	-
REVISED	-
REVISED	-

STATE OF ILLINOIS
 DEPARTMENT OF TRANSPORTATION

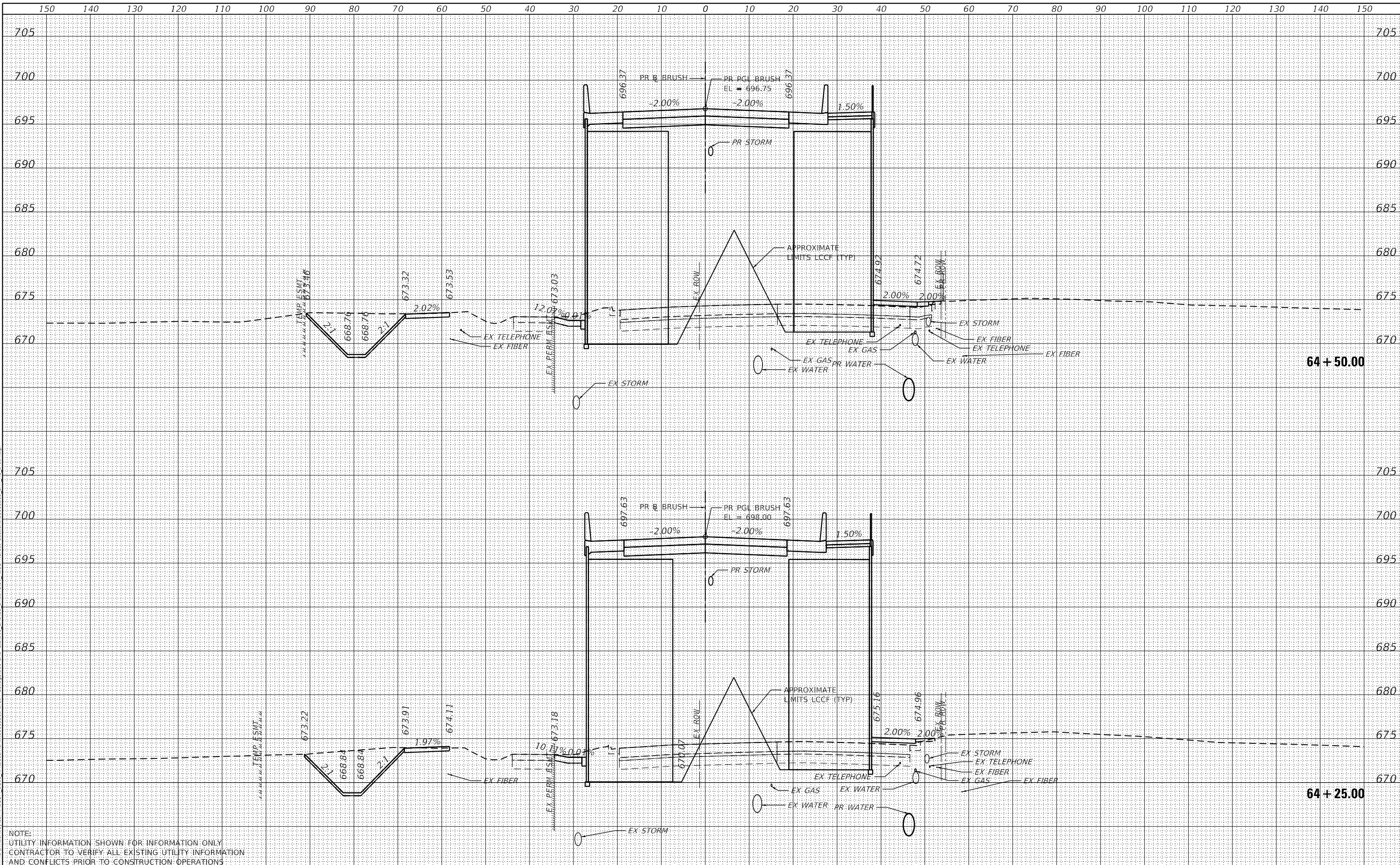
BRUSH COLLEGE ROAD
 CROSS SECTIONS
 1"=10' H, 1"=5' V
 SCALE: SHEET 40 OF 73 SHEETS STA. 63+75.00 TO STA. 64+00.00

F.A.U. RTE.	SECTION	COUNTY	TOTAL SHEETS	SHEET NO.
7448	09-00933-01-BR	MACON	1019	792
CONTRACT NO. 95893				
ILLINOIS FED. AID PROJECT				

FINAL SURVEY NO.	SURVEYED	DATE
NO.	PLOTTED	BY
NO.	TEMPLATE	
NO.	NOTE BOOK	
NO.	AREAS CHECKED	

ORIGINAL SURVEY NO.	SURVEYED	DATE
NO.	PLOTTED	BY
NO.	TEMPLATE	
NO.	NOTE BOOK	
NO.	AREAS CHECKED	

MODEL: Definit
FILE NAME: D:\aecom\msh-wabentley.com\AECOM_D5\15\10\Documents\06093202-Brush\Collage\00-CAD\GIS\910_CAD\03_SHEET501_AECOM\Cross_Section\06093202_SHT_51_Brush.dgn



NOTE:
UTILITY INFORMATION SHOWN FOR INFORMATION ONLY
CONTRACTOR TO VERIFY ALL EXISTING UTILITY INFORMATION
AND CONFLICTS PRIOR TO CONSTRUCTION OPERATIONS



USER NAME = monica.crinion	DESIGNED - LMB	REVISD -
PLOT SCALE = 20.0000' / in.	DRAWN - LMB	REVISD -
PLOT DATE = 10/30/2021	CHECKED - WBS	REVISD -
	DATE - 10/22/2021	REVISD -

**STATE OF ILLINOIS
DEPARTMENT OF TRANSPORTATION**

**BRUSH COLLEGE ROAD
CROSS SECTIONS**

1"=10' H, 1"=5' V
SCALE: SHEET 41 OF 73 SHEETS STA. 64+25.00 TO STA. 64+50.00

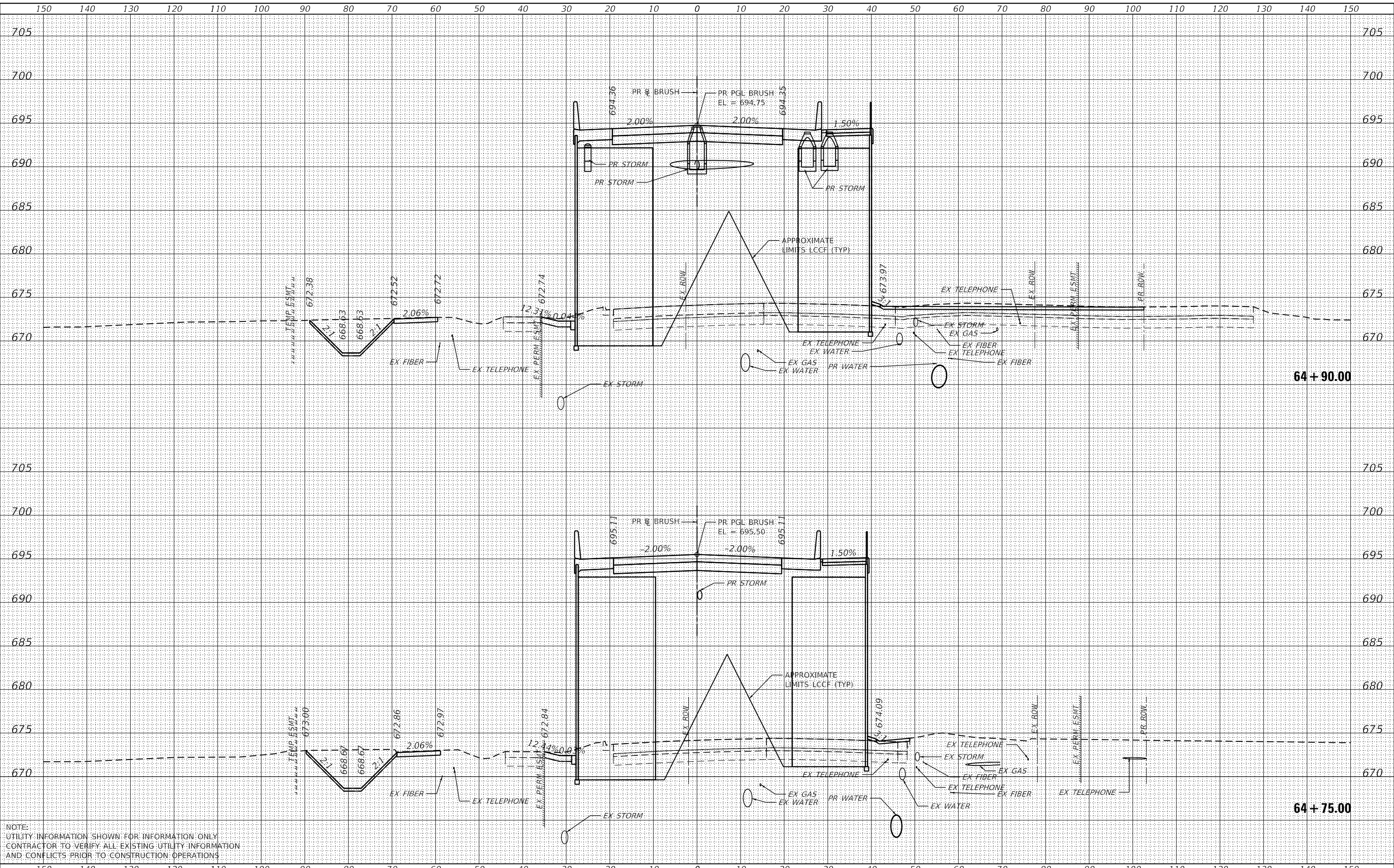
F.A.U. RTE.	SECTION	COUNTY	TOTAL SHEETS	SHEET NO.
7448	09-00933-01-BR	MACON	1019	793
CONTRACT NO. 95893				

ILLINOIS FED. AID PROJECT

DATE	
BY	
FINAL SURVEY	SURVEYED
NOTE BOOK	PLOTTED
NO.	TEMPLATE
	AREAS CHECKED

DATE	
BY	
ORIGINAL SURVEY	SURVEYED
NOTE BOOK	PLOTTED
NO.	TEMPLATE
	AREAS CHECKED

MODEL: Definit
 FILE NAME: D:\a\bascom-ha-bentley.com\AECOM_D515\I\Documents\6093202-Brush\College09-CAD_GIS910_CAD03_SHEET501_AECOM_Cross_Section6093202_SHT_50_Brush.dgn



NOTE:
 UTILITY INFORMATION SHOWN FOR INFORMATION ONLY
 CONTRACTOR TO VERIFY ALL EXISTING UTILITY INFORMATION
 AND CONFLICTS PRIOR TO CONSTRUCTION OPERATIONS



USER NAME	= monica.crinion
DESIGNED	- LMB
DRAWN	- LMB
CHECKED	- WBS
DATE	- 10/22/2021

REVISED	-
REVISED	-
REVISED	-
REVISED	-

STATE OF ILLINOIS
 DEPARTMENT OF TRANSPORTATION

1"=10' H, 1"=5' V
 SCALE:

BRUSH COLLEGE ROAD
 CROSS SECTIONS

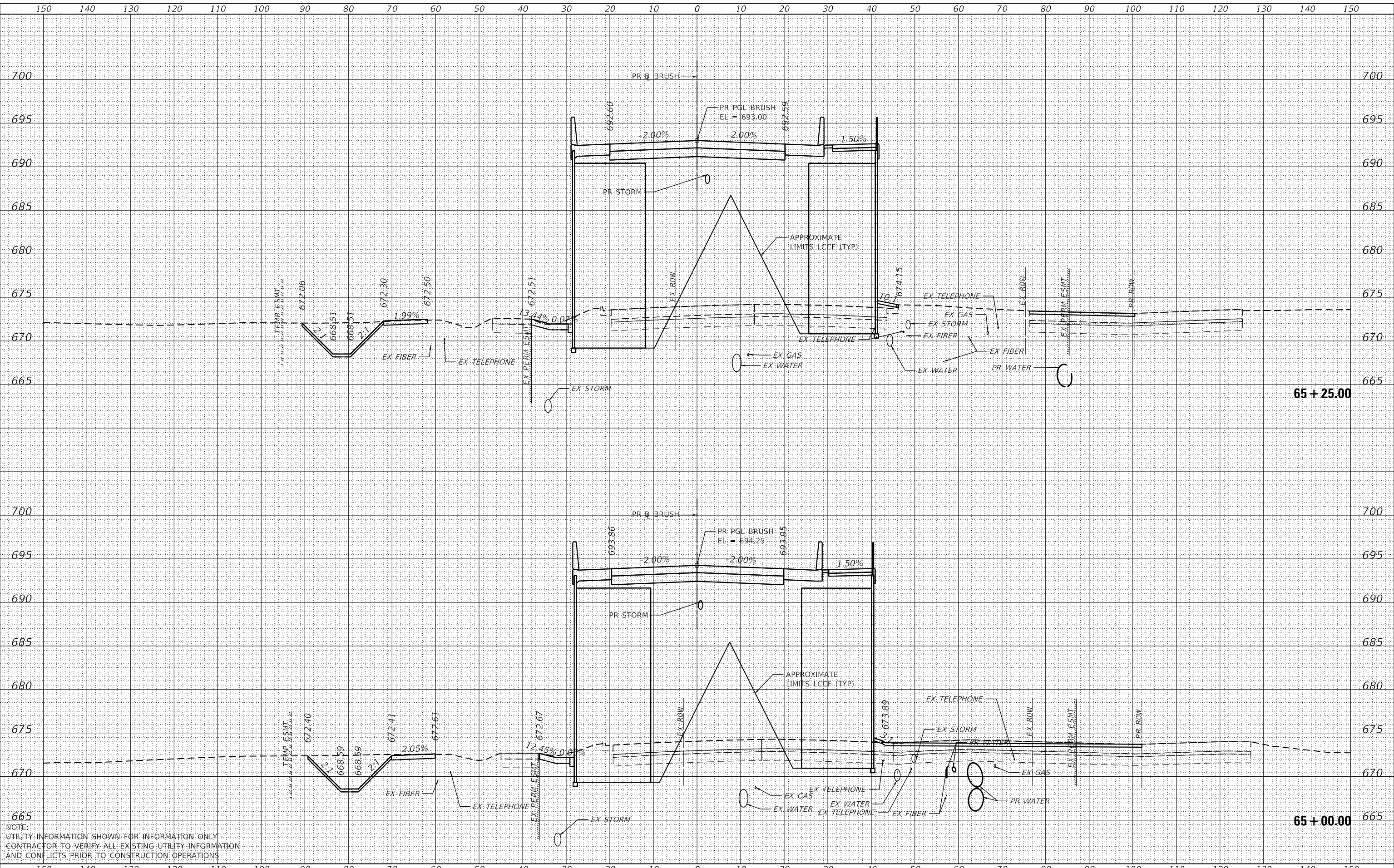
SHEET 42 OF 73 SHEETS STA. 64+75.00 TO STA. 64+90.00

F.A.U. RTE.	SECTION	COUNTY	TOTAL SHEETS	SHEET NO.
7448	09-00933-01-BR	MACON	1019	794
CONTRACT NO. 95893				
ILLINOIS FED. AID PROJECT				

DATE	
BY	
FINAL SURVEY	SURVEYED
NOTE BOOK	PLOTTED
NO.	TEMPLATE
	AREAS CHECKED

DATE	
BY	
ORIGINAL SURVEY	SURVEYED
NOTE BOOK	PLOTTED
NO.	TEMPLATE
	AREAS CHECKED

MODEL: Definit
 FILE NAME: D:\a\acomb\p15\sw\hobby\com\AECOM_D515\1\1\Documents\60603202-Brush\College09-CAD\GIS910_CAD\03_SHEETS\01_AECOM\Cross_Section\60603202_SHT_45_Brush.dgn



NOTE:
 UTILITY INFORMATION SHOWN FOR INFORMATION ONLY
 CONTRACTOR TO VERIFY ALL EXISTING UTILITY INFORMATION
 AND CONFLICTS PRIOR TO CONSTRUCTION OPERATIONS



USER NAME	= monica.crinion
DESIGNED	- LMB
DRAWN	- LMB
CHECKED	- WBS
DATE	- 10/22/2021

REVISED	-
REVISED	-
REVISED	-
REVISED	-

STATE OF ILLINOIS
 DEPARTMENT OF TRANSPORTATION

1"=10' H, 1"=5' V
 SCALE:

BRUSH COLLEGE ROAD
 CROSS SECTIONS

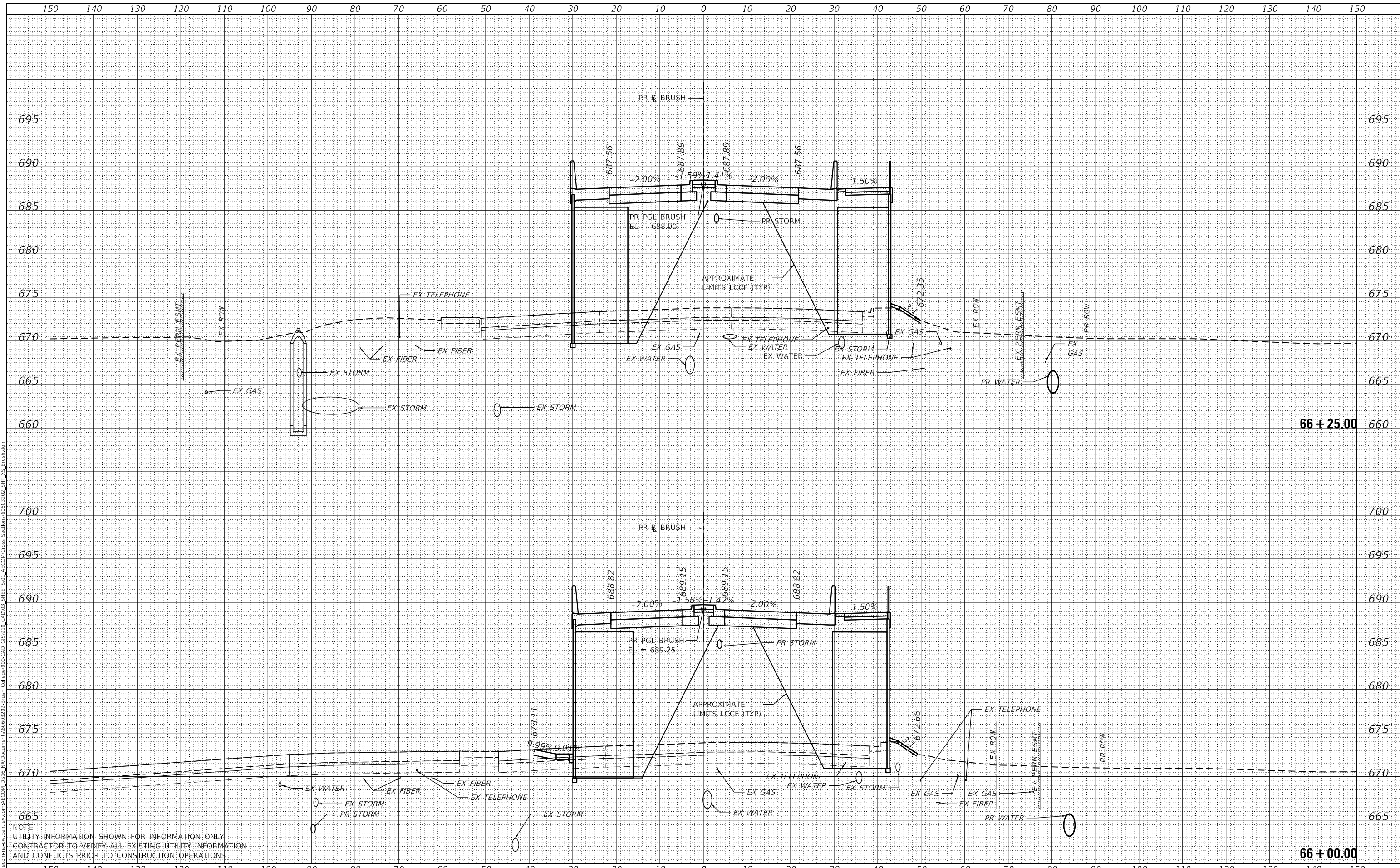
SHEET 43 OF 73 SHEETS STA. 65+00.00 TO STA. 65+25.00

F.A.U. RTE.	SECTION	COUNTY	TOTAL SHEETS	SHEET NO.
7448	09-00933-01-BR	MACON	1019	795
CONTRACT NO. 95893				
ILLINOIS FED. AID PROJECT				

DATE	
BY	
FINAL SURVEY	SURVEYED
NOTE BOOK	PLOTTED
NO.	TEMPLATE
	AREAS CHECKED

DATE	
BY	
ORIGINAL SURVEY	SURVEYED
NOTE BOOK	PLOTTED
NO.	TEMPLATE
	AREAS CHECKED

MODEL: Default
 FILE NAME: D:\a\acomb\msh\shenley\com\AECOM_D515\1\1\Documents\6603202-Brush\Collage\00-CAD_GIS\010_CAD\03_SHEETS\01_AECOM\Cross_Section\6603202_SHT_US_Brush.dgn



NOTE:
 UTILITY INFORMATION SHOWN FOR INFORMATION ONLY.
 CONTRACTOR TO VERIFY ALL EXISTING UTILITY INFORMATION
 AND CONFLICTS PRIOR TO CONSTRUCTION OPERATIONS



USER NAME	= SearsB
DESIGNED	- LMB
DRAWN	- LMB
CHECKED	- WBS
DATE	- 4/30/2021
REVISIONS	
REVISED	-
REVISED	-
REVISED	-
REVISED	-

STATE OF ILLINOIS
 DEPARTMENT OF TRANSPORTATION

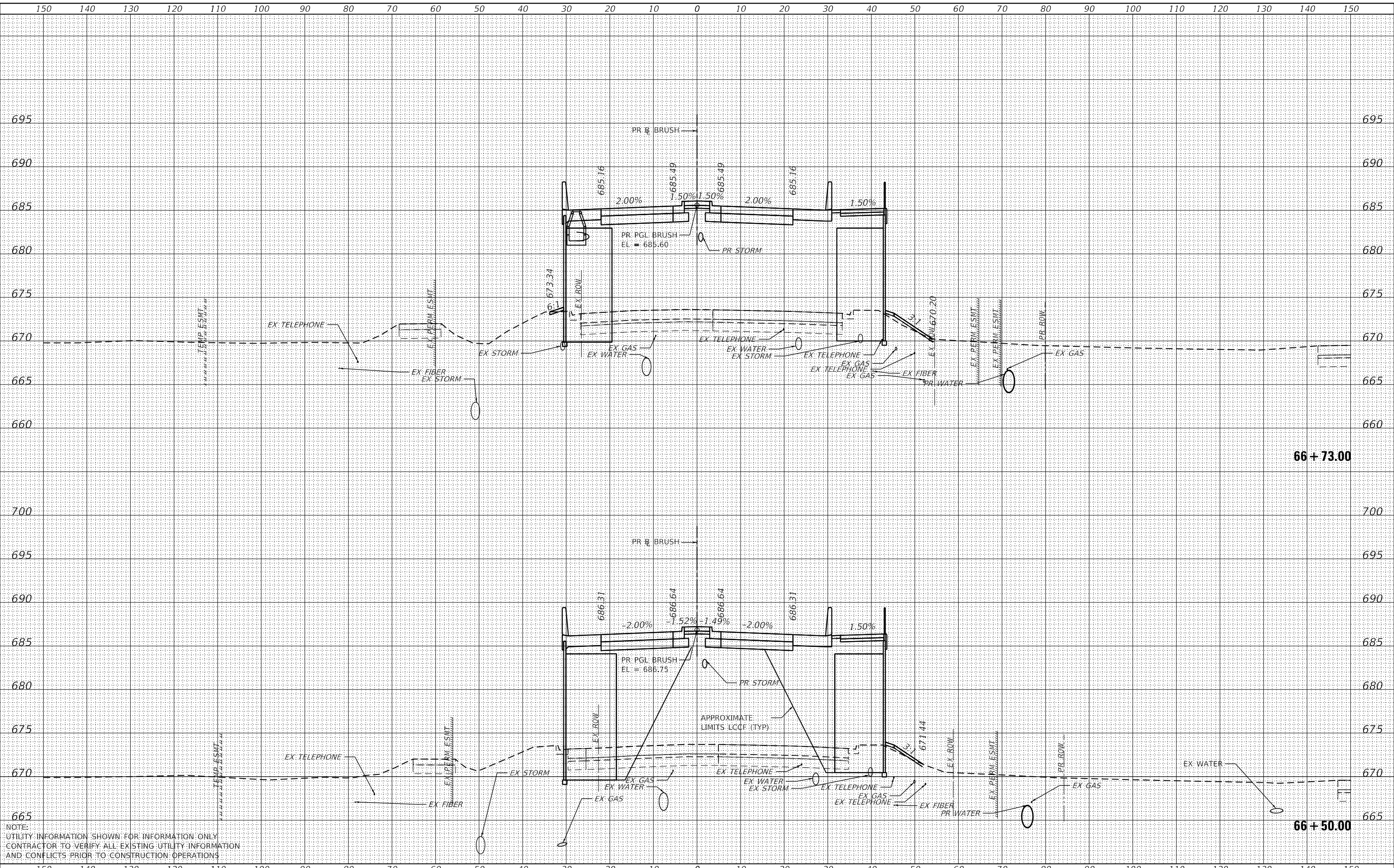
BRUSH COLLEGE ROAD
 CROSS SECTIONS
 1"=10' H, 1"=5' V
 SCALE: SHEET 45 OF 73 SHEETS STA. 66+00.00 TO STA. 66+25.00

F.A.U. RTE.	SECTION	COUNTY	TOTAL SHEETS	SHEET NO.
7448	09-00933-01-BR	MACON	1019	797
CONTRACT NO. 95893				
ILLINOIS		FED. AID PROJECT		

DATE	
BY	
FINAL SURVEY	SURVEYED
NOTE BOOK	PLOTTED
NO.	TEMPLATE
	AREAS CHECKED

DATE	
BY	
ORIGINAL SURVEY	SURVEYED
NOTE BOOK	PLOTTED
NO.	TEMPLATE
	AREAS CHECKED

MODEL: Definit
 FILE NAME: D:\a\acomb\p\shw\hobby\com\AECOM_D515\Ia\Documents\6603202-Brush\College00-CAD\GIS\910_CAD\03_SHEETS\01_AECOM\Cross_Section\6603202_SHT_45_Brush.dwg



NOTE:
 UTILITY INFORMATION SHOWN FOR INFORMATION ONLY
 CONTRACTOR TO VERIFY ALL EXISTING UTILITY INFORMATION
 AND CONFLICTS PRIOR TO CONSTRUCTION OPERATIONS



USER NAME	= SearsB
DESIGNED	- LMB
DRAWN	- LMB
CHECKED	- WBS
DATE	- 4/30/2021

REVISED	-
REVISED	-
REVISED	-
REVISED	-

**STATE OF ILLINOIS
 DEPARTMENT OF TRANSPORTATION**

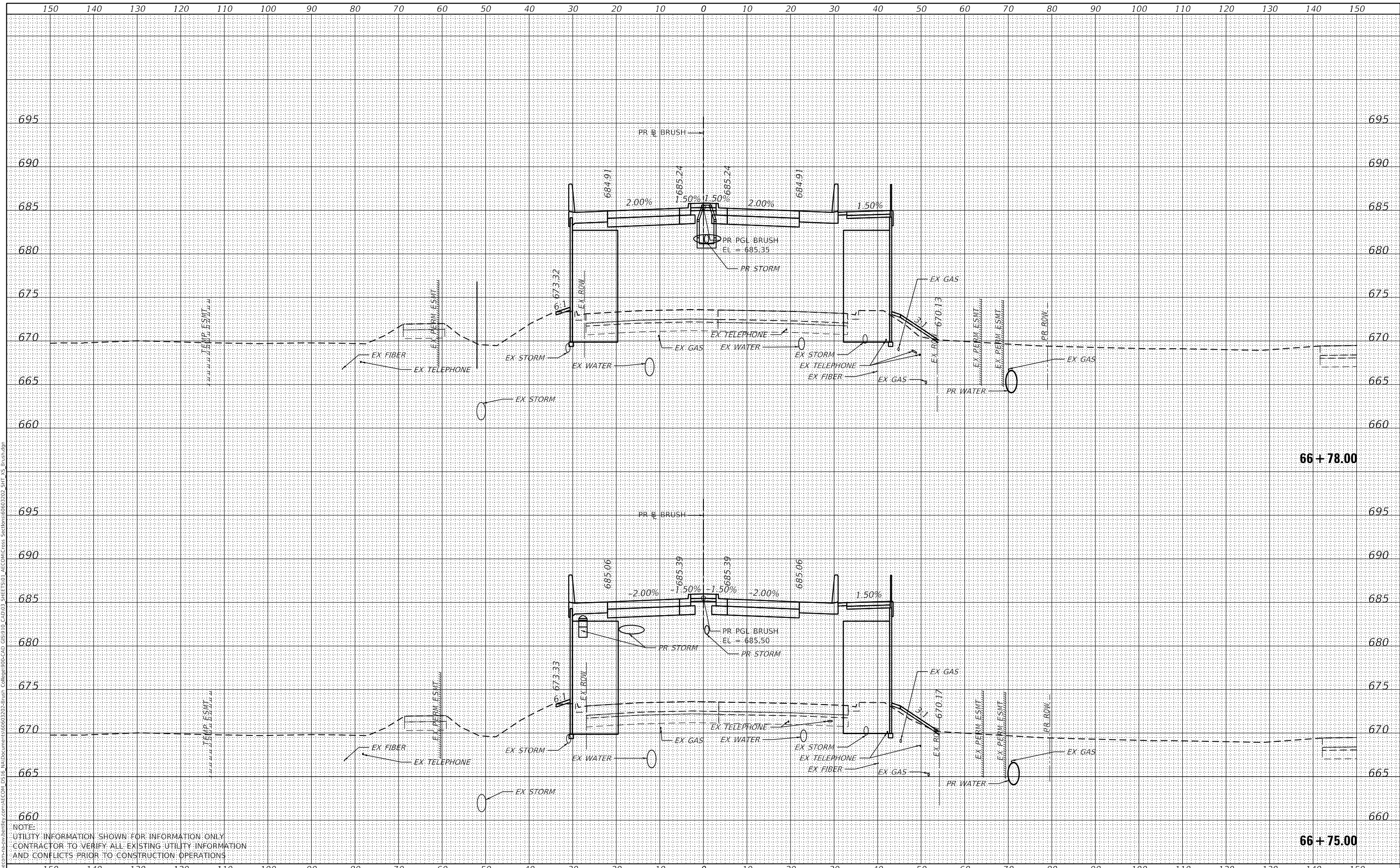
**BRUSH COLLEGE ROAD
 CROSS SECTIONS**
 1"=10' H, 1"=5' V
 SCALE: SHEET 46 OF 73 SHEETS STA. 66+50.00 TO STA. 66+73.00

F.A.U. RTE.	SECTION	COUNTY	TOTAL SHEETS	SHEET NO.
7448	09-00933-01-BR	MACON	1019	798
CONTRACT NO. 95893				
ILLINOIS FED. AID PROJECT				

DATE	
BY	
FINAL SURVEY	SURVEYED
NOTE BOOK	PLOTTED
NO.	TEMPLATE
	AREAS CHECKED

DATE	
BY	
ORIGINAL SURVEY	SURVEYED
NOTE BOOK	PLOTTED
NO.	TEMPLATE
	AREAS CHECKED

MODEL: Definit
 FILE NAME: D:\a\acomp\msh\shenley\com\AECOM_D515\Ia\Documents\6603202-Brush\College09-01-2021\AECOM\Cross Sections\6603202_SHT_US_Brush.dwg



NOTE:
 UTILITY INFORMATION SHOWN FOR INFORMATION ONLY
 CONTRACTOR TO VERIFY ALL EXISTING UTILITY INFORMATION
 AND CONFLICTS PRIOR TO CONSTRUCTION OPERATIONS



USER NAME	= SearsB
DESIGNED	- LMB
DRAWN	- LMB
CHECKED	- WBS
DATE	- 4/30/2021

REVISED	-
REVISED	-
REVISED	-
REVISED	-

STATE OF ILLINOIS
 DEPARTMENT OF TRANSPORTATION

1"=10' H, 1"=5' V
 SCALE:

BRUSH COLLEGE ROAD
 CROSS SECTIONS

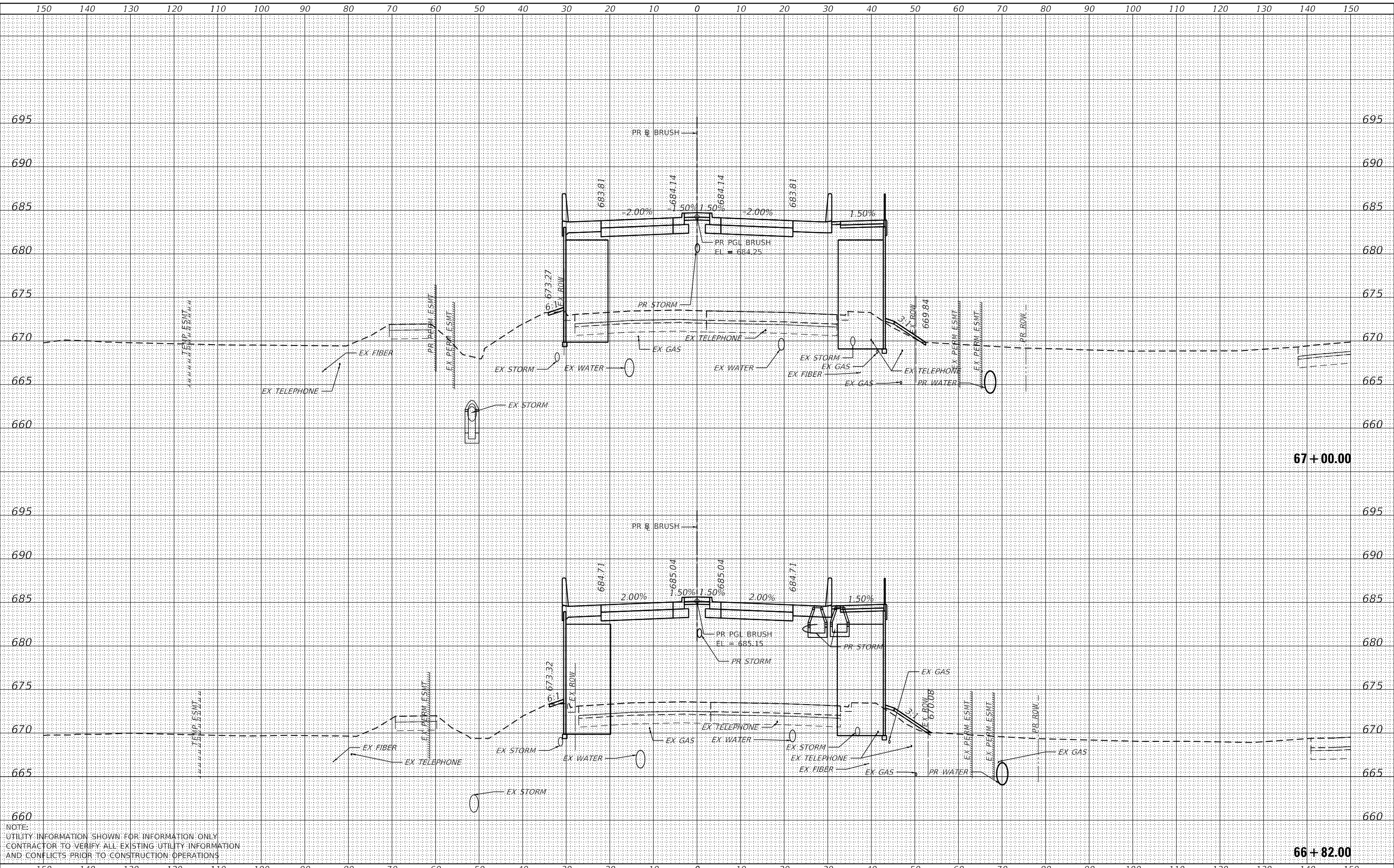
SHEET 47 OF 73 SHEETS STA. 66+75.00 TO STA. 66+78.00

F.A.U. RTE.	SECTION	COUNTY	TOTAL SHEETS	SHEET NO.
7448	09-00933-01-BR	MACON	1019	799
CONTRACT NO. 95893				
ILLINOIS FED. AID PROJECT				

DATE	
BY	
FINAL SURVEY	SURVEYED
NOTE BOOK	PLOTTED
NO.	TEMPLATE
	AREAS CHECKED

DATE	
BY	
ORIGINAL SURVEY	SURVEYED
NOTE BOOK	PLOTTED
NO.	TEMPLATE
	AREAS CHECKED

MODEL: Definit
 FILE NAME: D:\a\acorn\p\shw\hendry.com\AECOM_D515\1\Documents\60603202-Brush\College09-00-Cross_Section\60603202_SHT_48_Brush.dgn
 SHEET501.AECOM.Cross_Section\60603202_SHT_48_Brush.dgn



NOTE:
 UTILITY INFORMATION SHOWN FOR INFORMATION ONLY
 CONTRACTOR TO VERIFY ALL EXISTING UTILITY INFORMATION
 AND CONFLICTS PRIOR TO CONSTRUCTION OPERATIONS



USER NAME	= SearsB
DESIGNED	- LMB
DRAWN	- LMB
CHECKED	- WBS
DATE	- 4/30/2021

REVISED	-
REVISED	-
REVISED	-
REVISED	-

STATE OF ILLINOIS
 DEPARTMENT OF TRANSPORTATION

1"=10' H, 1"=5' V
 SCALE:

BRUSH COLLEGE ROAD
 CROSS SECTIONS

SHEET 48 OF 73 SHEETS STA. 66+82.00 TO STA. 67+00.00

F.A.U. RTE.	SECTION	COUNTY	TOTAL SHEETS	SHEET NO.
7448	09-00933-01-BR	MACON	1019	800
CONTRACT NO. 95893				
ILLINOIS FED. AID PROJECT				