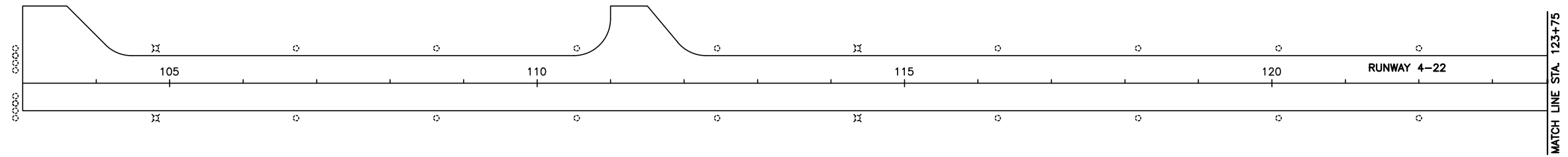
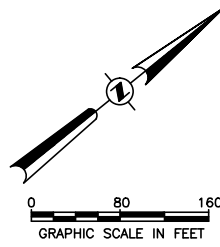


EXISTING EDGE LIGHTING UNIT REMOVAL SCHEDULE			
DESCRIPTION	REMOVE BASE MOUNTED LIGHT EACH	REMOVE STAKE MOUNTED LIGHT EACH	REMOVE TAXI GUIDANCE SIGN EACH
EXISTING RUNWAY 4-22 CIRCUIT	10	46	
EXISTING TAXIWAY CIRCUIT 1 (TWY. A & B)	8	37	2
TOTALS	18	83	2

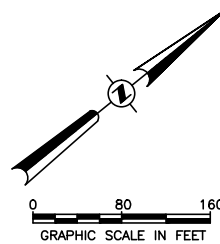
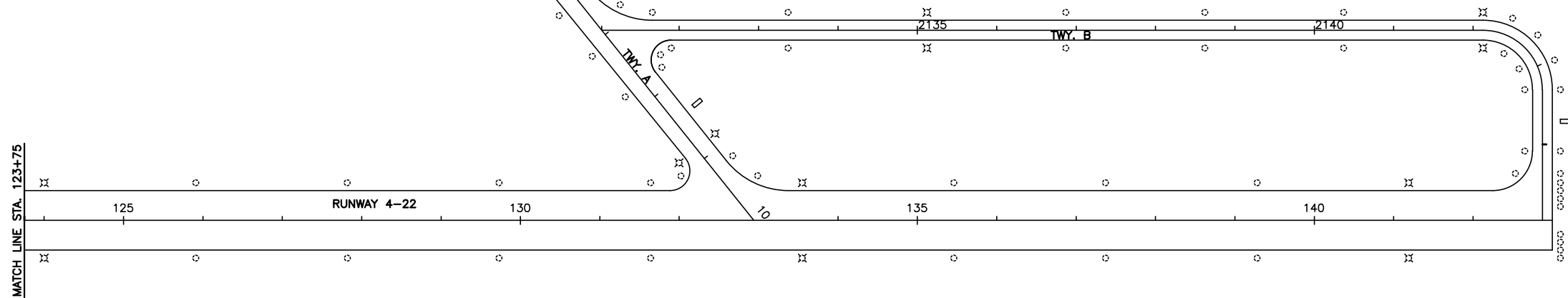
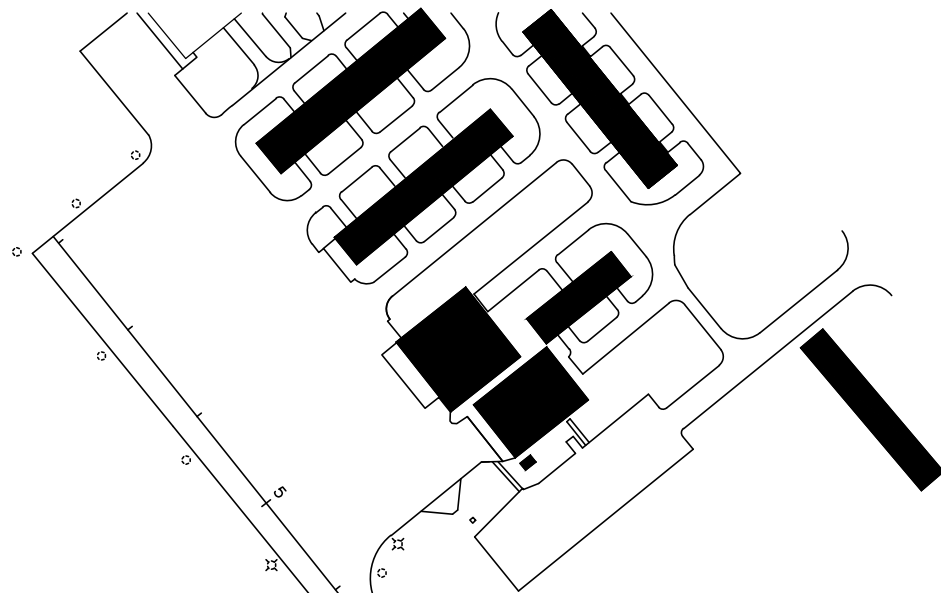


LEGEND

- X EXISTING BASE MOUNTED LIGHT TO BE REMOVED
- EXISTING STAKE MOUNTED LIGHT TO BE REMOVED
- EXISTING TAXI GUIDANCE SIGN TO BE REMOVED

NOTES :

1. ALL EXISTING GUIDANCE SIGNS INCLUDING TRANSFORMERS AND STEEL BASES WITH CONCRETE BACKFILL THAT ARE REMOVED SHALL BE DISPOSED OF BY THE CONTRACTOR OFF THE AIRPORT PROPERTY. THE CONTRACTOR SHALL SALVAGE 8 OF THE EXISTING MEDIUM INTENSITY BASE MOUNTED LIGHT FIXTURES AND 24 OF THE EXISTING MEDIUM INTENSITY STAKE MOUNTED FIXTURES INCLUDING TRANSFORMERS FOR USE BY THE AIRPORT AS MAINTENANCE REPAIR PARTS. THE SALVAGED UNITS SHALL BECOME THE PROPERTY OF THE AIRPORT AND SHALL BE TRANSPORTED BY THE CONTRACTOR TO A LOCATION ON THE AIRPORT DESIGNATED BY THE AIRPORT MANAGEMENT AND DEPOSITED AT THE LOCATION FOR STORAGE. THE REMAINDER OF THE MEDIUM INTENSITY FIXTURES THAT ARE REMOVED SHALL BE DISPOSED OF BY THE CONTRACTOR OFF THE AIRPORT PROPERTY. THE DISPOSAL LOCATION SHALL BE ARRANGED AND/OR PROVIDED BY THE CONTRACTOR.
2. THE UNDERGROUND CABLE TO THE EXISTING EDGE LIGHTS SHALL BE ABANDONED WITH THE EXCEPTION THAT ALL EXISTING CABLE BEING REPLACED THAT IS IN THE SAME LOCATION IN TRENCH OR DUCT AS THE PROPOSED CABLE SHALL BE REMOVED FROM THE TRENCH OR DUCT INCLUDING THE EXISTING UNIT DUCT THAT CONTAINS THE CABLE. THE CABLE AND UNIT DUCT REMOVED SHALL BE DISPOSED OF OFF THE AIRPORT PROPERTY BY THE CONTRACTOR AND SAID REMOVAL AND DISPOSAL SHALL BE CONSIDERED INCIDENTAL TO THE NEW CABLE INSTALLATION.
3. AT A MINIMUM, THE EXISTING CABLE AND UNIT DUCT BEING ABANDONED SHALL BE REMOVED TO A DISTANCE OF 3 FEET EACH SIDE OF A NEW LIGHTING FIXTURE LOCATION.
4. AT LOCATIONS WHERE A LIGHTING UNIT IS SHOWN TO BE REMOVED AND ALL OR A PORTION OF THE FIXTURE ABOVE GROUND IS MISSING, THE BASE OR STAKE AND TRANSFORMER SHALL BE DUG UP AND REMOVED. THIS REMOVAL SHALL CONSTITUTE AND BE PAID FOR AS A COMPLETE LIGHTING UNIT REMOVAL.



CASEY MUNICIPAL AIRPORT CASEY, ILLINOIS	
EDGE LIGHTING UNIT REMOVAL PLAN	
HUTCHISON ENGINEERING, INC. JACKSONVILLE, ILLINOIS	
DRAWN BY: R.L.R. & J.C.W. DATE : OCTOBER, 2014	ILL. PROJ. NO. 1H8-4369 SBG PROJ. NO. 3-17-SBGP-XX