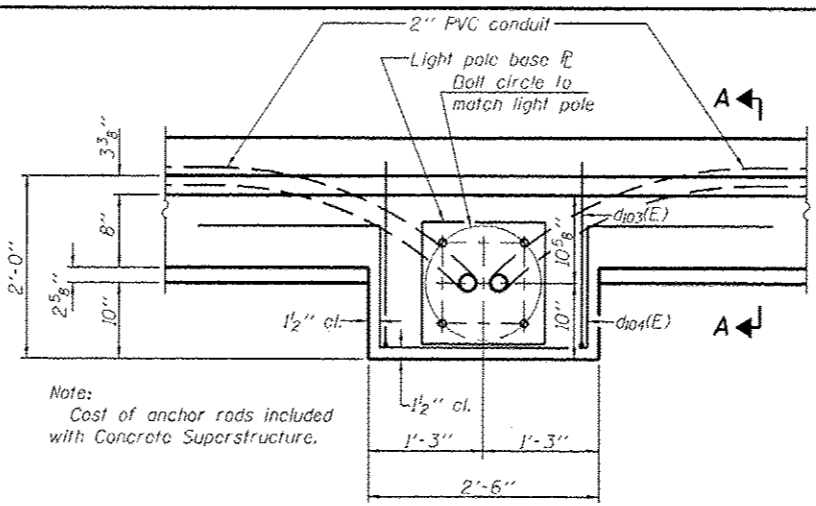
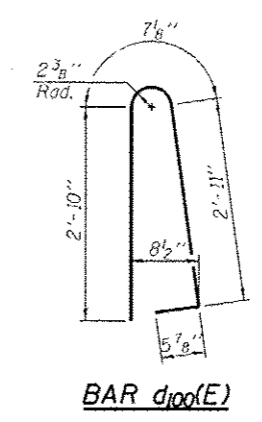


ANCHOR ROD
Diameter as specified for light poles. (ASTM F 1554 Grade 105)



PLAN

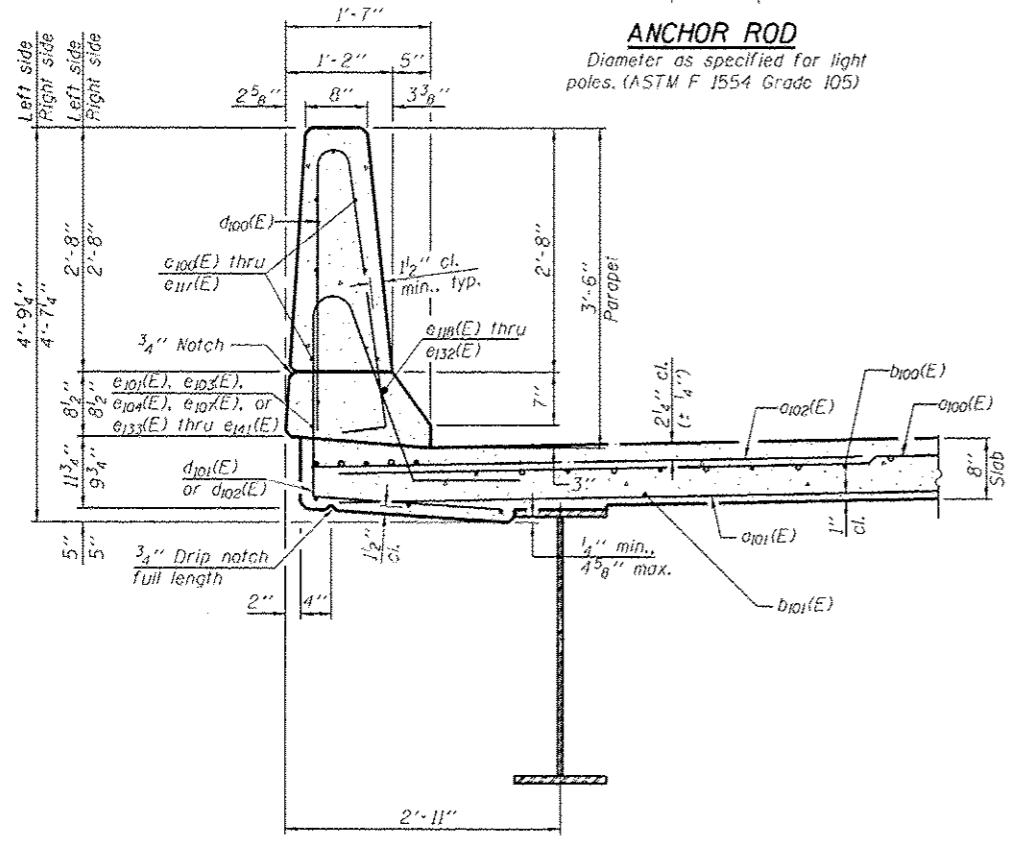
Note:
Cost of anchor rods included with Concrete Superstructure.



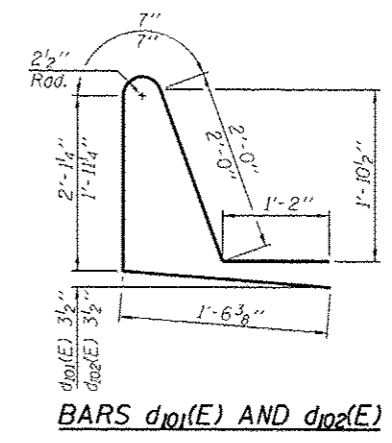
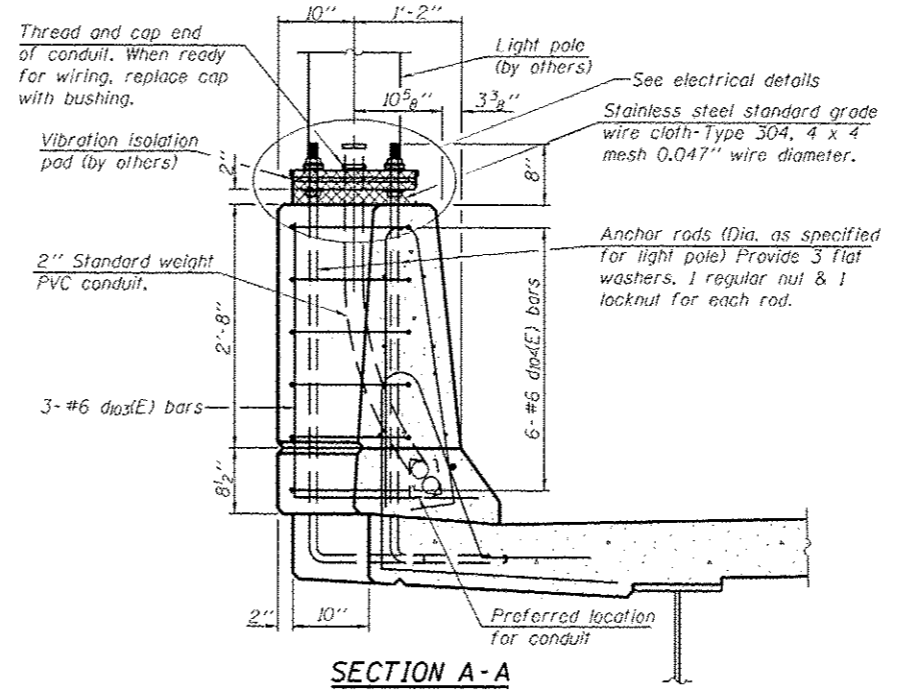
BAR d100(E)

**SUPERSTRUCTURE
BILL OF MATERIAL**

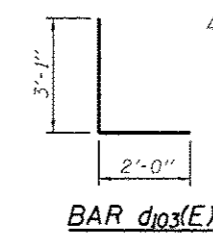
Bar	No.	Size	Length	Shape
d100(E)	1,815	#5	38'-6"	
d101(E)	1,180	#5	37'-10"	
d102(E)	3,630	#6	6'-6"	
d103(E)	24	#5	1'-6"	
d104(E)	1,554	#5	29'-9"	
d105(E)	1,368	#5	29'-1"	
d106(E)	117	#6	33'-11"	
d107(E)	195	#6	32'-5"	
d108(E)	117	#6	28'-3"	
d109(E)	78	#6	34'-5"	
d110(E)	117	#6	26'-3"	
d111(E)	117	#6	26'-11"	
d112(E)	2,072	#5	6'-10"	
d113(E)	1,073	#5	7'-5"	
d114(E)	999	#5	7'-3"	
d115(E)	12	#6	5'-1"	
d116(E)	24	#6	8'-11"	
e100(E)	42	#4	17'-8"	
e101(E)	128	#4	19'-9"	
e102(E)	42	#4	19'-1"	
e103(E)	32	#4	15'-6"	
e104(E)	53	#4	19'-3"	
e105(E)	70	#4	16'-11"	
e106(E)	35	#4	17'-4"	
e107(E)	32	#4	17'-6"	
e108(E)	35	#4	17'-5"	
e109(E)	35	#4	17'-0"	
e110(E)	28	#4	19'-2"	
e111(E)	28	#4	18'-10"	
e112(E)	28	#4	19'-5"	
e113(E)	28	#4	19'-4"	
e114(E)	28	#4	18'-9"	
e115(E)	21	#4	16'-10"	
e116(E)	42	#4	17'-2"	
e117(E)	42	#4	17'-3"	
e118(E)	4	#8	30'-9"	
e119(E)	16	#8	19'-9"	
e120(E)	7	#8	32'-11"	
e121(E)	4	#8	15'-6"	
e122(E)	2	#8	31'-10"	
e123(E)	3	#8	32'-0"	
e124(E)	3	#8	32'-9"	
e125(E)	4	#8	17'-6"	
e126(E)	4	#8	19'-3"	
e127(E)	6	#8	32'-2"	
e128(E)	3	#8	29'-4"	
e129(E)	6	#8	28'-11"	
e130(E)	6	#8	29'-8"	
e131(E)	2	#8	28'-2"	
e132(E)	8	#8	30'-2"	
e133(E)	4	#4	28'-4"	
e134(E)	5	#4	24'-10"	
e135(E)	3	#4	20'-10"	
e136(E)	6	#4	29'-11"	
e137(E)	8	#4	23'-7"	
e138(E)	4	#4	23'-1"	
e139(E)	3	#4	27'-3"	
e140(E)	8	#4	26'-10"	
e141(E)	14	#4	27'-9"	
Reinforcement Bars, Epoxy Coated			Pound	325,050
Concrete Superstructure			Cu. Yds.	1,267.3



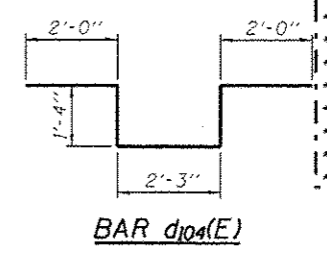
SECTION THRU PARAPET



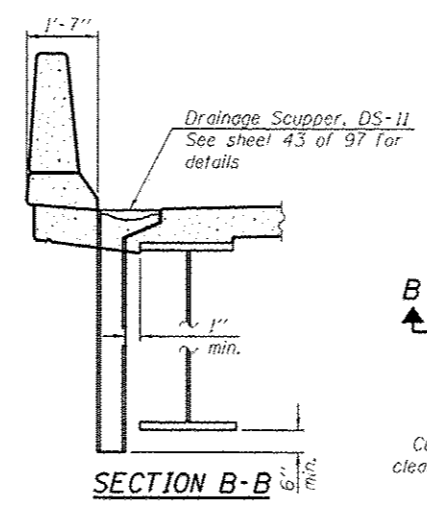
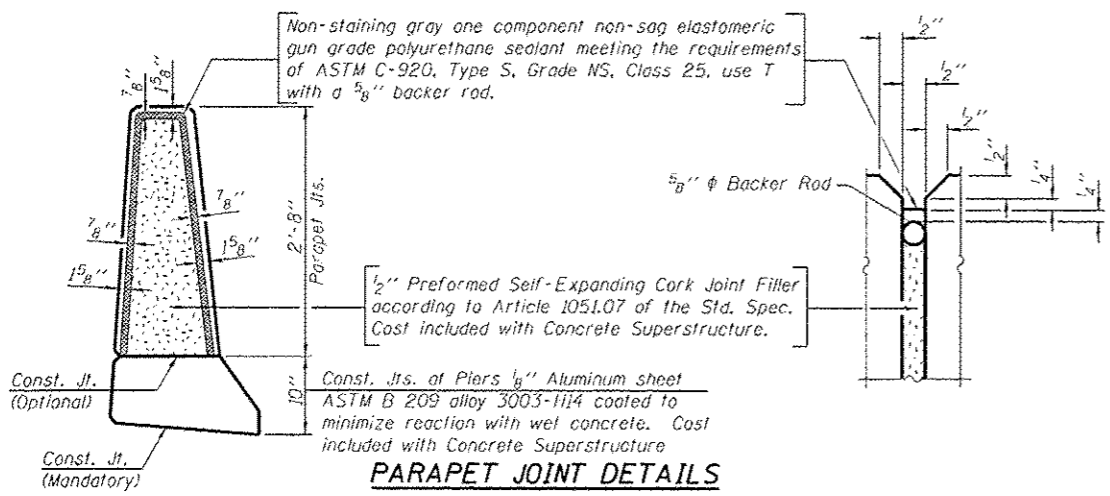
BARS d101(E) AND d102(E)



BAR d103(E)



BAR d104(E)



Cut longitudinal reinforcement to clear drainage scuppers.