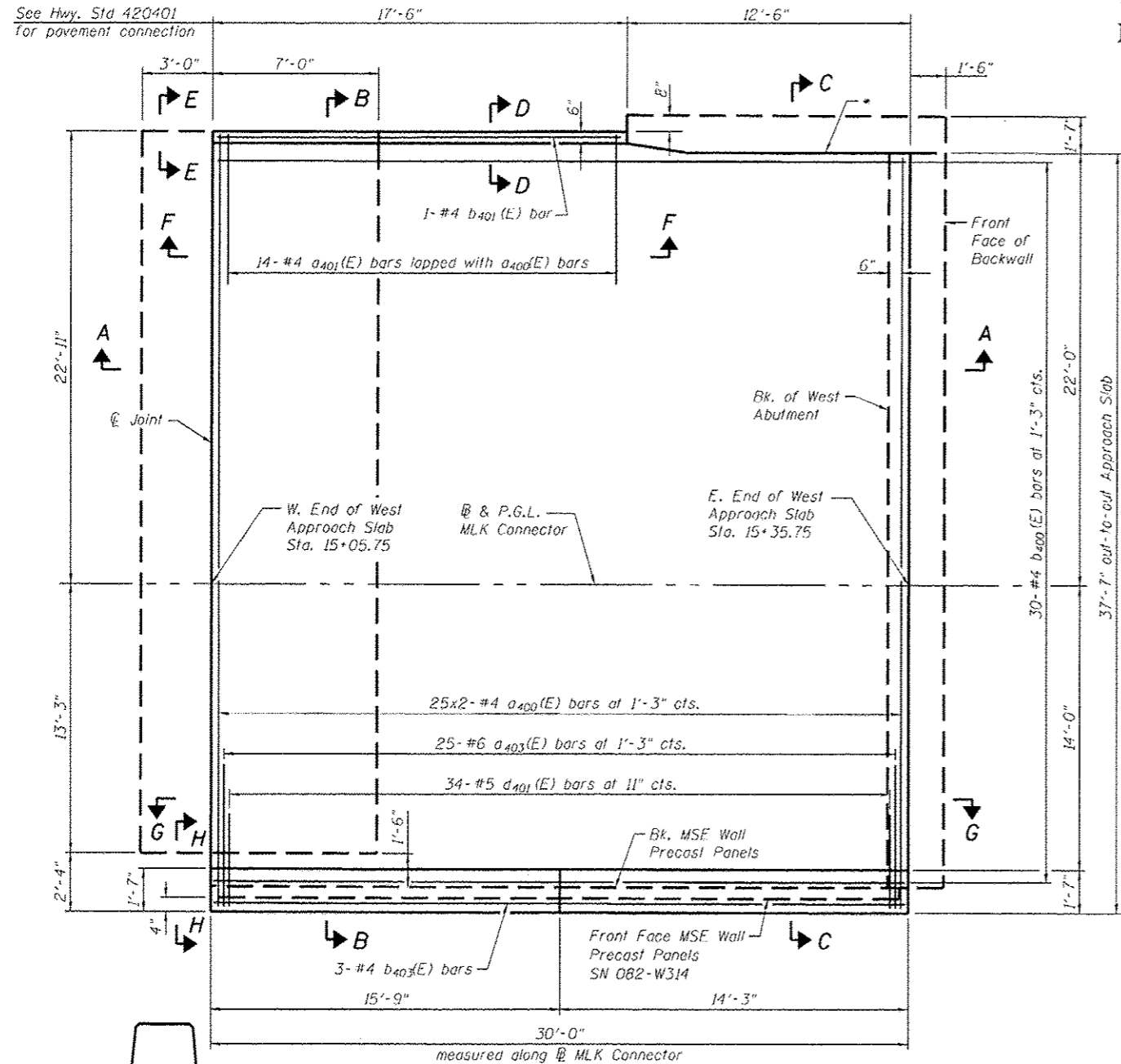
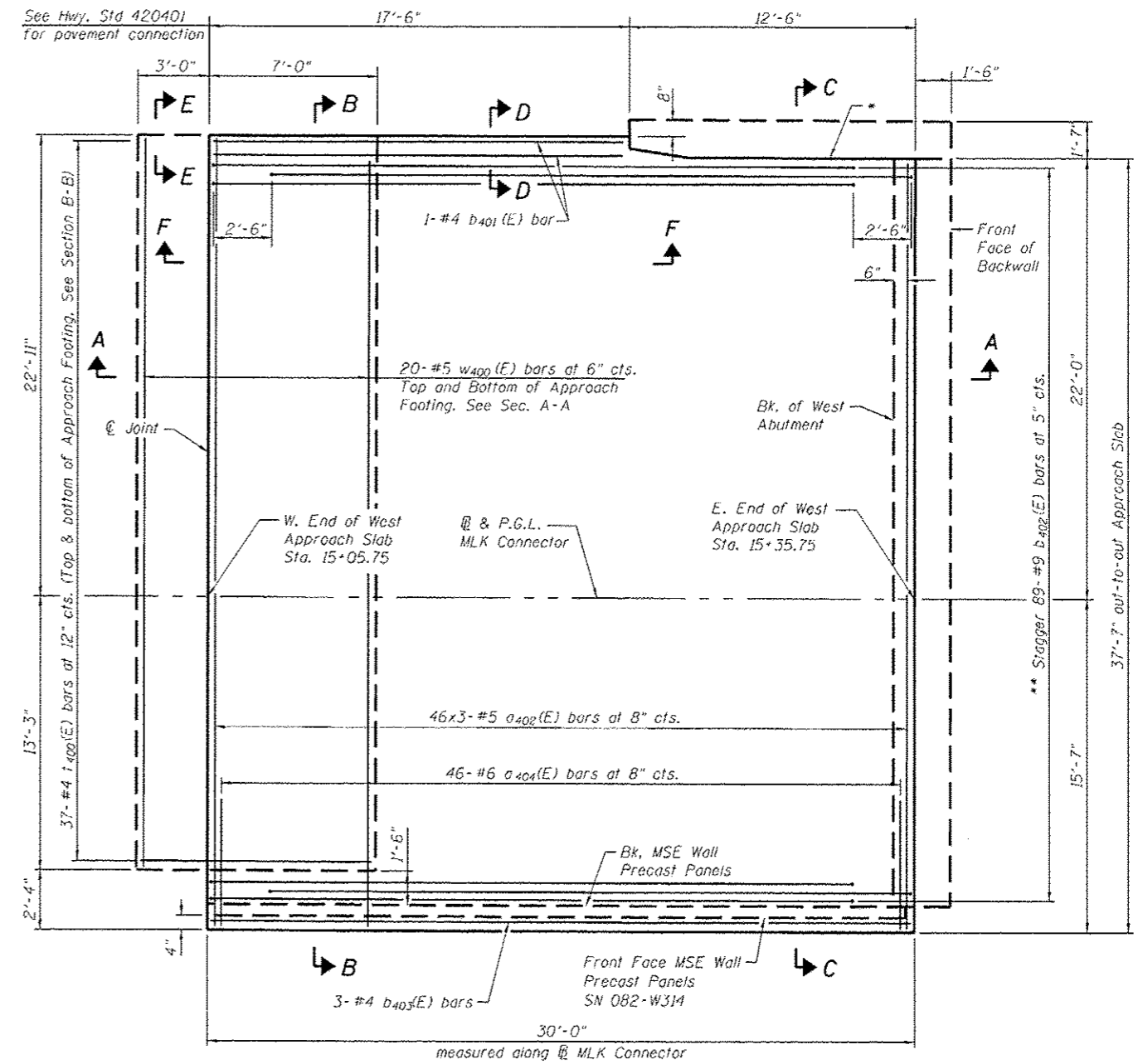


Notes:
See sheet 31 of 97 for Sections A-A, B-B, C-C and Views D-D, E-E & F-F.



PLAN VIEW

(Showing Top of Slab Reinforcement)



PLAN VIEW

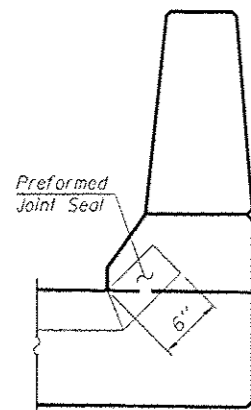
(Showing Bottom of Slab Reinforcement)

MINIMUM BAR LAP

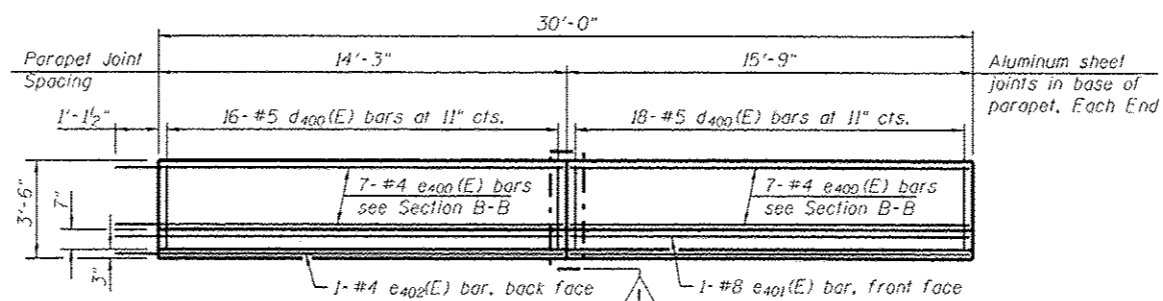
#4 bar = 2'-0"
#5 bar = 2'-6"

* 1/2" Preformed Joint Filler according to Article 1051 of the Standard Specifications; full depth of slab, full length of parapet.

** Till #9 b402(E) bars as required to maintain clearance



VIEW H-H



VIEW G-G

FILE NAME: J:\2015\10\MLK\CON\082\082-0349-01.dwg - 12/15/2015



USER NAME: elagermann
Illinois Design Firm Number 184.001670
PLOT SCALE: 1/8" = 1'-0"
PLOT DATE: 1/15/2015

DESIGNED - BB
CHECKED - JD
DRAWN - WS
CHECKED - CJF

REVISED 1/15/2015 H&S
REVISED
REVISED
REVISED

STATE OF ILLINOIS
DEPARTMENT OF TRANSPORTATION

WEST APPROACH SLAB DETAILS
STRUCTURE NO. 082-0349

SHEET NO. 39 OF 97 SHEETS

F.A.I. RTE.	SECTION	COUNTY	TOTAL SHEETS	SHEET NO.
64	82-11,4B-1	ST. CLAIR	406	125
CONTRACT NO. 76609				
ILLINOIS FED. AID PROJECT				