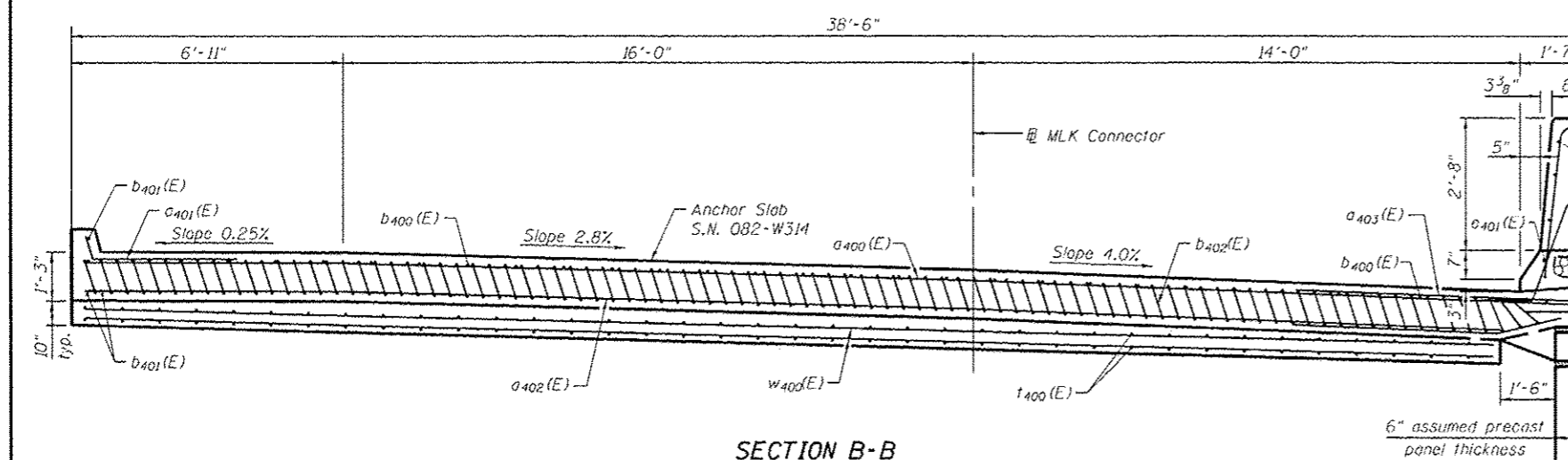
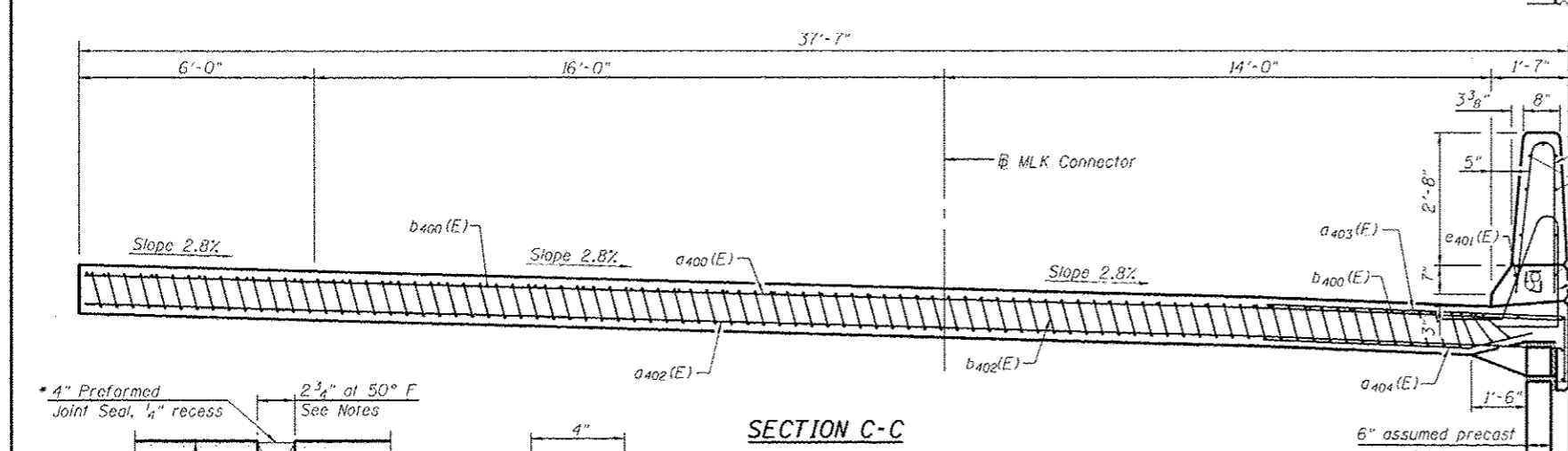


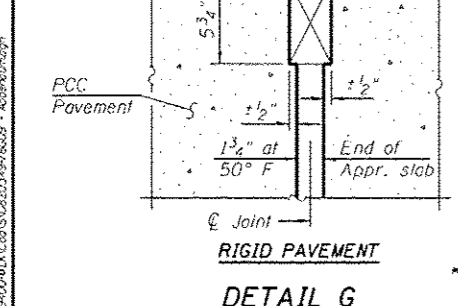
SECTION A-A



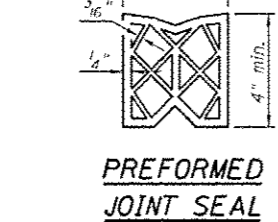
SECTION B-B



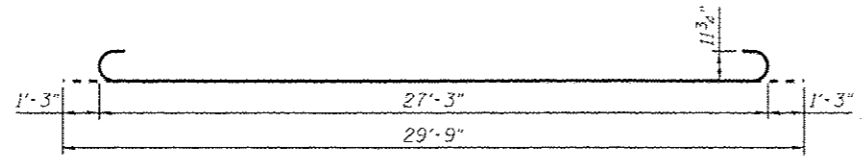
SECTION C-C



DETAIL G

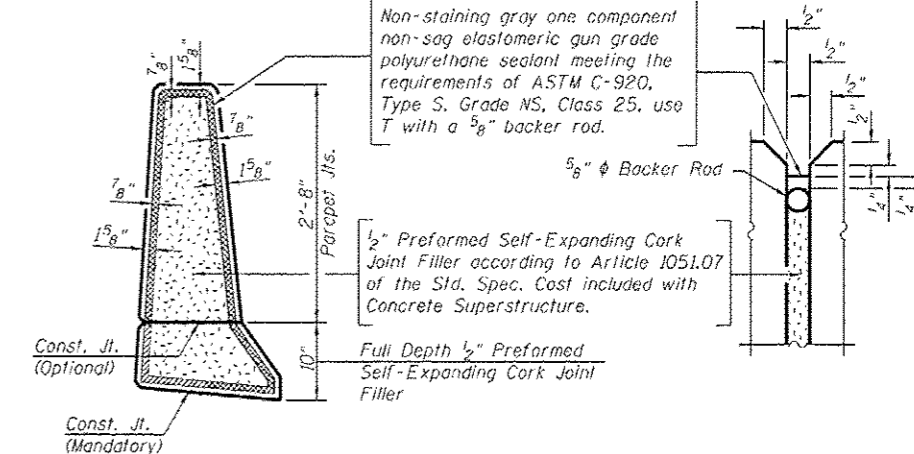


PREFORMED JOINT SEAL

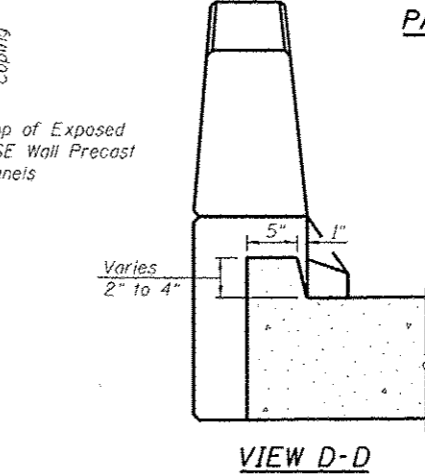


BAR b402(E)

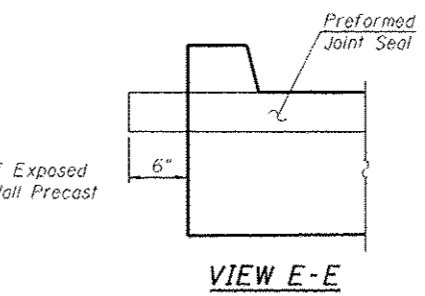
Notes:
 Approach Slab concrete shall be paid for as Concrete Superstructure.
 Approach Footing shall be paid for as Concrete Structures.
 The Approach Footing maximum applied service bearing pressure (0max) = 2.0 Ksf.
 See sheet 75 of 97 for Bar Splicer Details.
 Cost of excavation for Approach Footing included with Concrete Structures.
 See sheet 75 of 97 for v(E) Bar Details.
 See sheet 4 of 97 for Granular Backfill for Structures and Drainage Treatment Details.
 The joint opening shall be determined per Article 520.04 of the Standard Specifications for Road and Bridge Construction. The minimum dimension shall be 1 1/2" for installation purposes.
 See sheet 34 of 97 for additional Bar Bend Details.



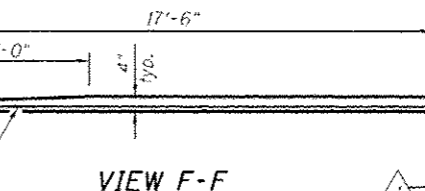
PARAPET JOINT DETAILS



VIEW D-D



VIEW E-E



VIEW F-F

WEST APPROACH SLAB BILL OF MATERIAL

Bar	No.	Size	Length	Shape
a400(E)	50	#4	20'-2"	—
a401(E)	14	#4	6'-10"	—
a402(E)	138	#5	14'-5"	—
a403(E)	25	#6	7'-9"	—
a404(E)	46	#5	7'-1"	—
b400(E)	30	#4	29'-9"	—
b401(E)	3	#4	17'-3"	—
b402(E)	89	#9	29'-9"	—
b403(E)	3	#4	31'-3"	—
d400(E)	34	#5	6'-10"	—
d401(E)	34	#5	6'-10"	—
e400(E)	14	#4	15'-6"	—
e401(E)	2	#8	15'-5"	—
e402(E)	2	#4	15'-5"	—
t400(E)	74	#4	9'-8"	—
w400(E)	40	#5	35'-11"	—
Concrete Superstructure		Cu. Yd.		60.1
Concrete Structures		Cu. Yd.		11.2
Reinforcement Bars, Epoxy Coated		Pound		15,850

* Textured Epoxy Coated Reinforcement bars. See Special Provision.

FILE NAME: X:\2014\100-MLK\082-1497-6608 - A.dwg