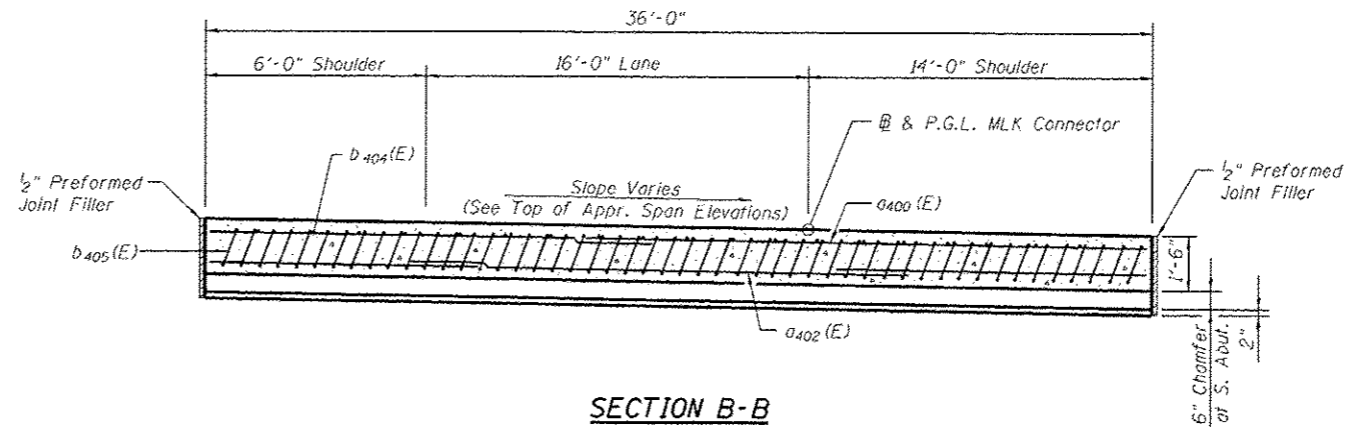
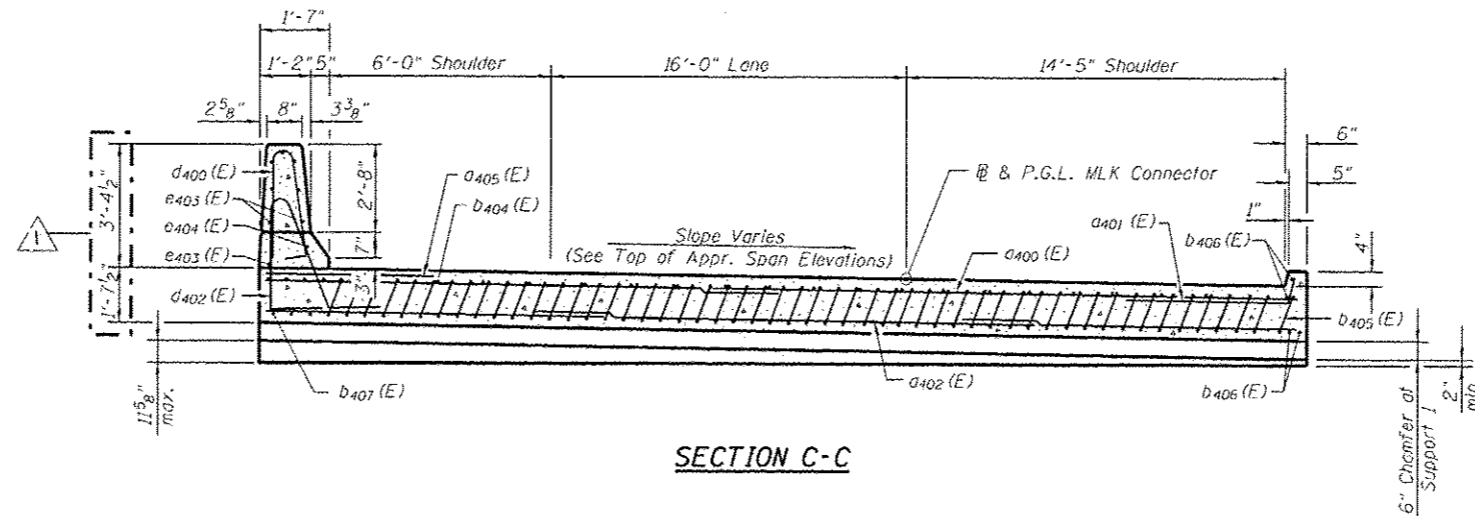


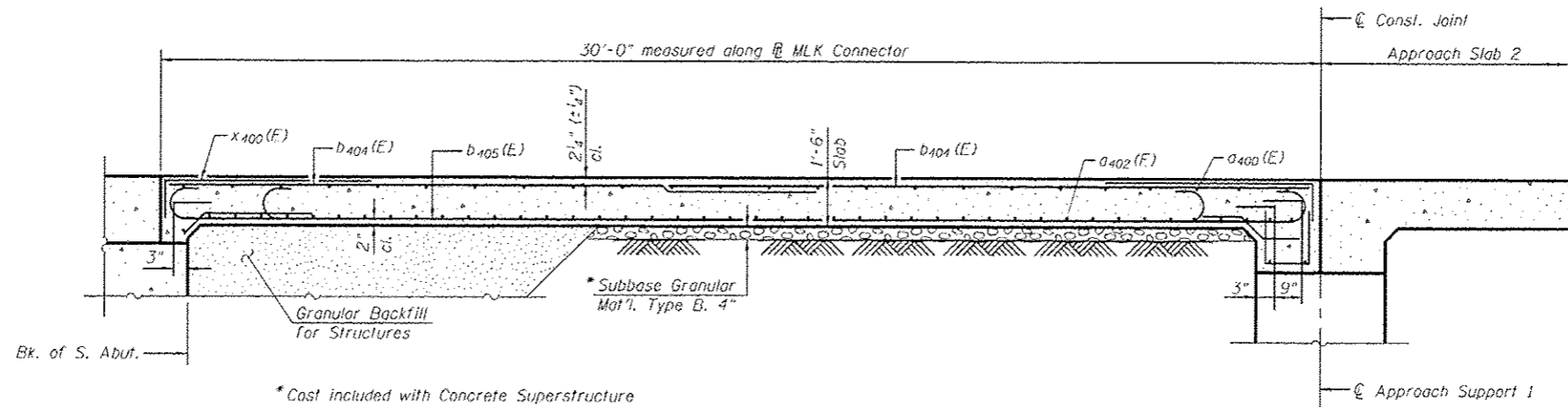
VIEW A-A



SECTION B-B



SECTION C-C



SECTION D-D

FILE NAME: X:\109460-MX\Coast\082-0349-1-Approach\109460.dwg



USER NAME = elagorona
 Illinois Design Firm Number 184.001670
 PLOT SCALE =
 PLOT DATE = 1/15/2015

DESIGNED - BB	REVISED / 1/15/2015 H&S
CHECKED - JD	REVISED
DRAWN - WS	REVISED
CHECKED - CJF	REVISED

**STATE OF ILLINOIS
 DEPARTMENT OF TRANSPORTATION**

**APPROACH SLAB 1 DETAILS
 STRUCTURE NO. 082-0349**

SHEET NO. 33 OF 97 SHEETS

F.A.I. RTE.	SECTION	COUNTY	TOTAL SHEETS	SHEET NO.
64	02-11,41B-1	ST. CLAIR	406	128
CONTRACT NO. 76G09				
ILLINOIS FED. AID PROJECT				