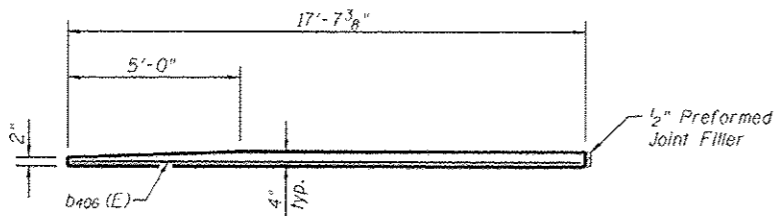
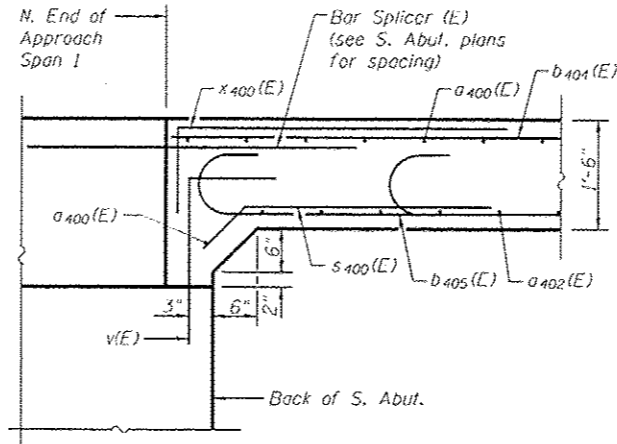


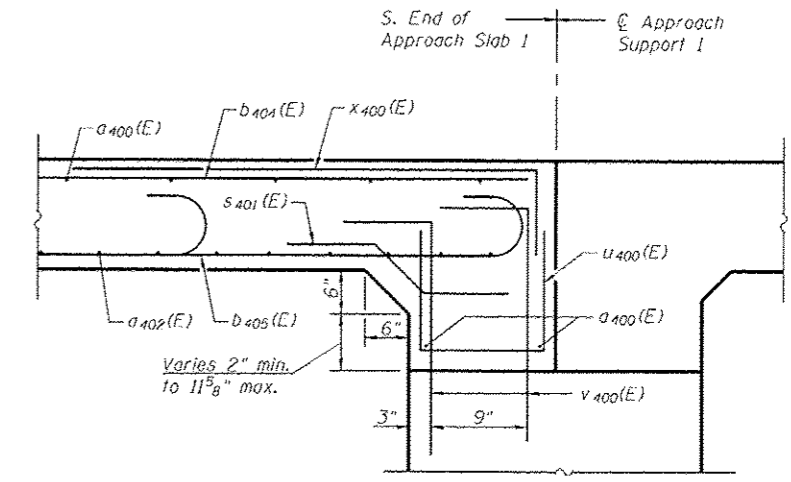
VIEW E-E



VIEW F-F

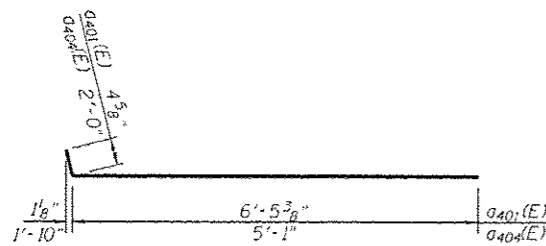


VIEW G-G

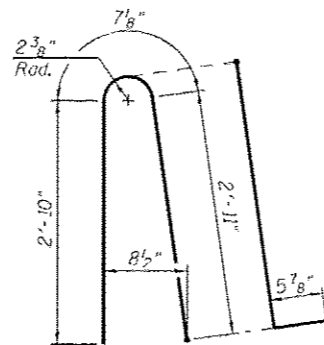


VIEW H-H

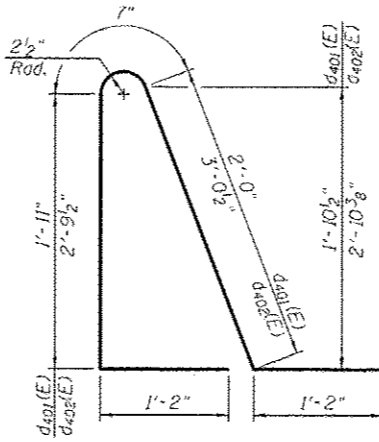
Notes:
 See sheet 59 of 97 for v(E) Bar Details.
 See sheet 69 of 97 for u400(E) Bar Details.
 See sheet 75 of 97 for Bar Splicer Details.
 See South Abutment Details for Granular Backfill for Structures and Drainage Treatment Details.



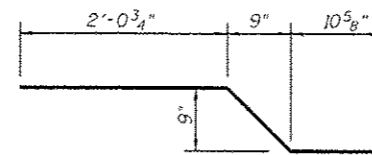
BARS a401(E) & a404(E)



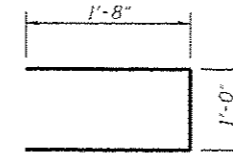
BAR d400(E)



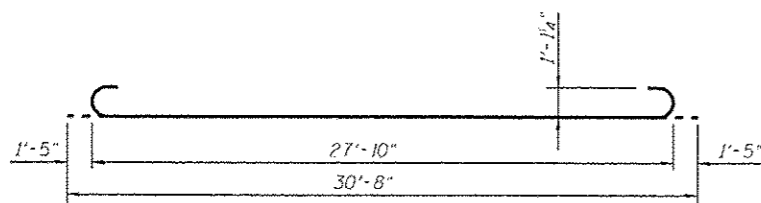
BARS d401(E) & d402(E)



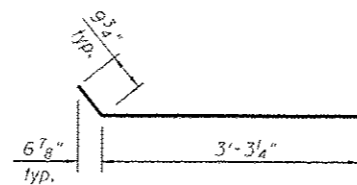
BAR s401(E)



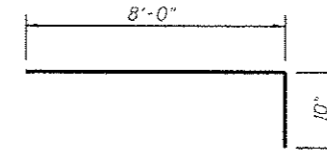
BAR u400(E)



BAR b405(E)



BAR s400(E)



BAR x400(E)

**APPROACH SLAB 1
 BILL OF MATERIAL**

Bar	No.	Size	Length	Shape	
a400(E)	58	#4	20'-2"	—	
a401(E)	15	#4	6'-10"	—	
a402(E)	141	#5	14'-5"	—	
a405(E)	16	#6	6'-6"	—	
b404(E)	60	#4	16'-2"	—	
b405(E)	73	#10	30'-8"	—	
b406(E)	4	#4	17'-4"	—	
b407(E)	2	#4	18'-4"	—	
d400(E)	21	#5	6'-10"	—	
d402(E)	21	#5	8'-9"	—	
e403(E)	8	#4	18'-4"	—	
e404(E)	1	#8	18'-4"	—	
s400(E)	37	#5	4'-1"	—	
s401(E)	40	#5	4'-0"	—	
u400(E)	40	#5	4'-4"	—	
x400(E)	58	#5	8'-10"	—	
Concrete Superstructure				Cu. Yd.	68.0
Reinforcement Bars, Epoxy Coated				Pound	15,010

** Textured Epoxy Coated Reinforcement bars. See Special Provision.

FILE NAME: X:\1209002\WORK\082034\082034-1.dwg



USER NAME: p10ganz
 Illinois Design Firm Number 184.001670
 PLO: SCALE:
 PLO: DATE: 1/9/2015

DESIGNED - BB
 CHECKED - JD
 DRAWN - WS
 CHECKED - CJF

REVISED 1/9/2015 H&S
 REVISED
 REVISED

**STATE OF ILLINOIS
 DEPARTMENT OF TRANSPORTATION**

**APPROACH SLAB 1 DETAILS
 STRUCTURE NO. 082-0349**

SHEET NO. 34 OF 97 SHEETS

F.A.I. RTE.	SECTION	COUNTY	TOTAL SHEETS	SHEET NO.
64	82-11.4B-1	ST. CLAIR	406	129

CONTRACT NO. 76G09
 ILLINOIS FED. AID PROJECT