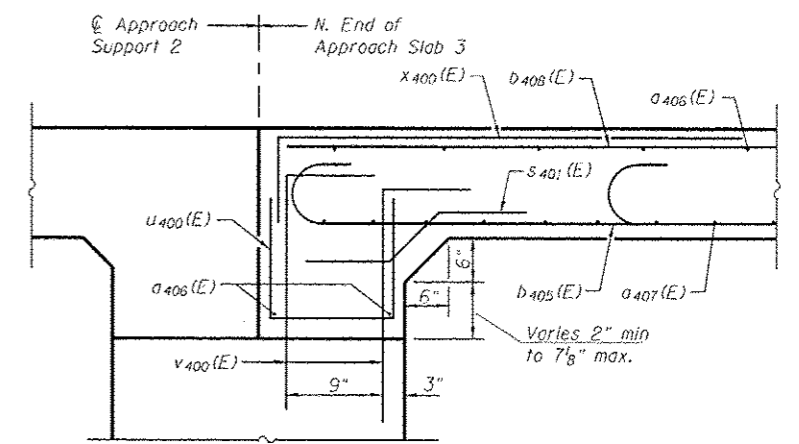
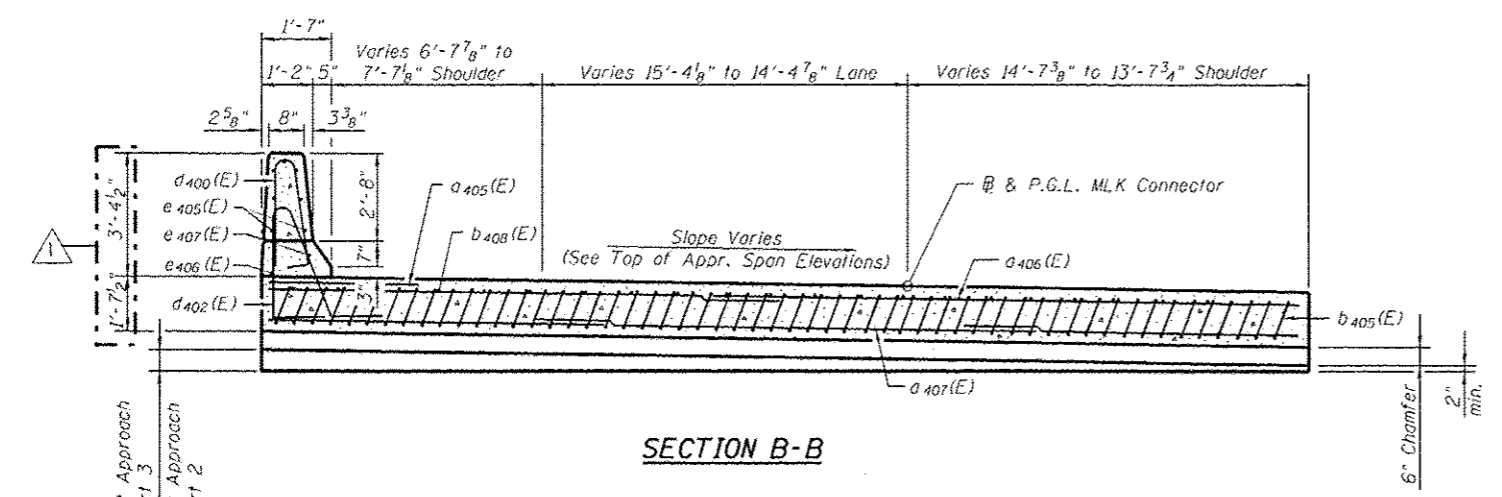


SECTION A-A

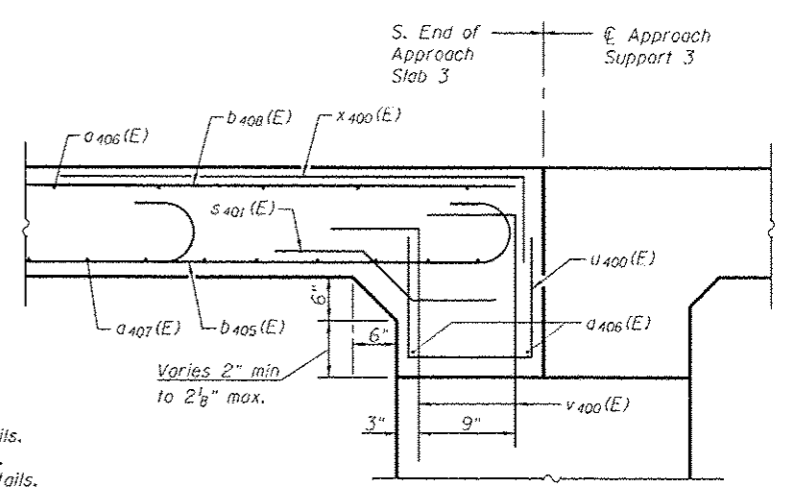
* Cost Included with Concrete Superstructure



VIEW D-D

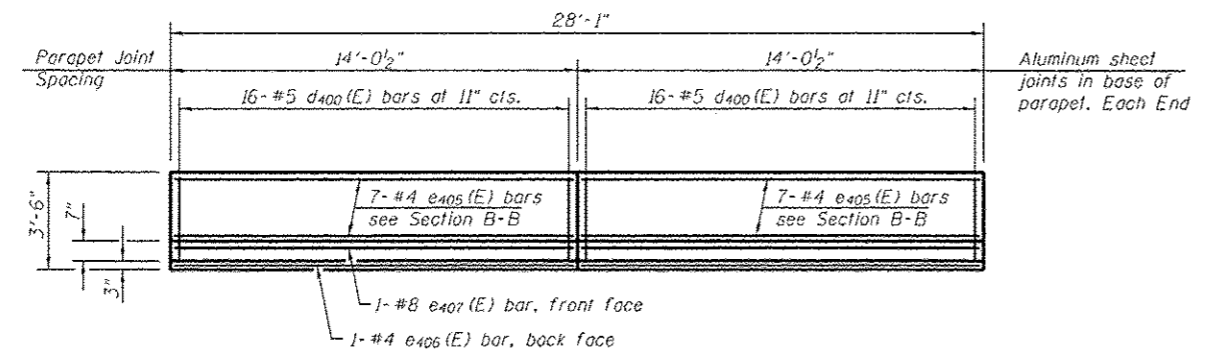


SECTION B-B



VIEW E-E

Notes:
 See sheet 69 of 97 for v400 (E) Bar Details.
 See sheet 34 of 97 for Bar Bend Details.
 See sheet 36 of 97 for Parapet Joint Details.



VIEW C-C

**APPROACH SLAB 3
 BILL OF MATERIAL**

Bar	No.	Size	Length	Shape
d405(E)	23	#6	6'-6"	—
d406(E)	56	#4	20'-0"	—
d407(E)	129	#5	14'-4"	—
b405(E)	77	#10	30'-8"	—
b408(E)	64	#4	14'-11"	—
d400(E)	32	#5	6'-10"	—
d402(E)	32	#5	8'-9"	—
e405(E)	14	#4	13'-9"	—
e406(E)	2	#4	13'-9"	—
e407(E)	2	#8	13'-9"	—
s401(E)	77	#5	4'-0"	—
u400(E)	77	#5	4'-4"	—
x400(E)	62	#5	8'-10"	—
Concrete Superstructure		Cu. Yd.	65.7	
Reinforcement Bars, Epoxy Coated		Pound	15,690	

Textured Epoxy Coated Reinforcement bars. See Special Provision.

FILE NAME: X:\1209\00-MLK-Cos\02\01\97-1609 - A.dwg

LOCHMUELLER GROUP
 1200 N. BRADLEY ST. SUITE 100
 PROY. KILMOROCK ILL. 60140
 PHONE: 630-841-1100

USER NAME - estager/n
 Illinois Design Firm Number 184.001670
 PLOT SCALE -
 PLOT DATE - 1/15/2015

DESIGNED - BB	REVISD 1/9/2015 H&S
CHECKED - JD	REVISD 1/15/2015 H&S
DRAWN - WS	REVISD
CHECKED - CJF	REVISD

**STATE OF ILLINOIS
 DEPARTMENT OF TRANSPORTATION**

**APPROACH SLAB 3 DETAILS
 STRUCTURE NO. 082-0349**
 SHEET NO. 38 OF 97 SHEETS

F.A.I. RTE.	SECTION	COUNTY	TOTAL SHEETS	SHEET NO.
64	82-(1,4)B-1	ST. CLAIR	406	133
				CONTRACT NO. 76609
[ILLINOIS] FED. AID PROJECT				