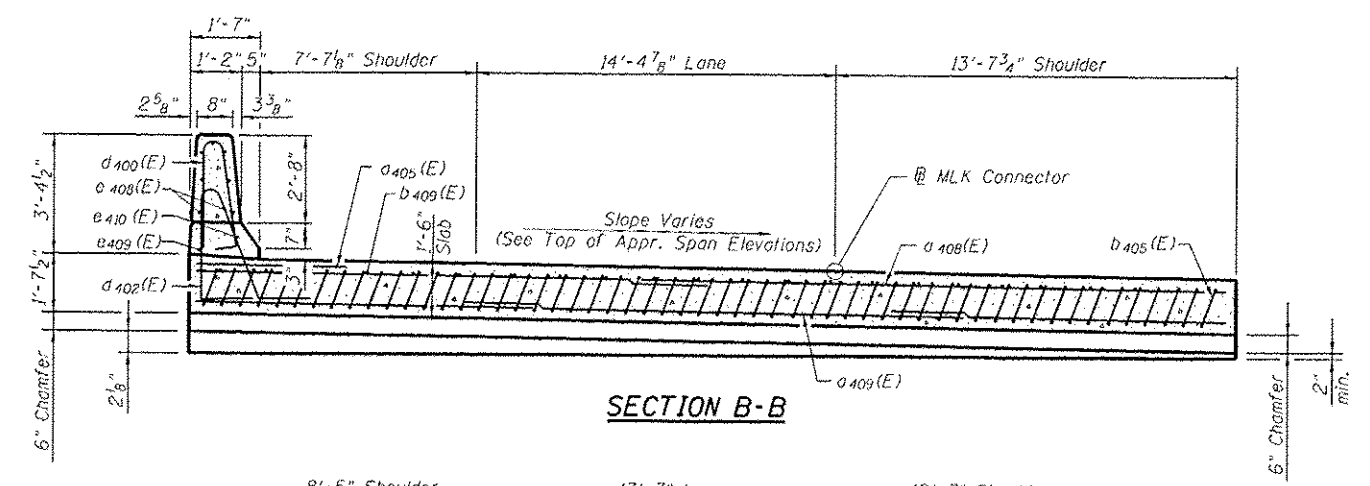


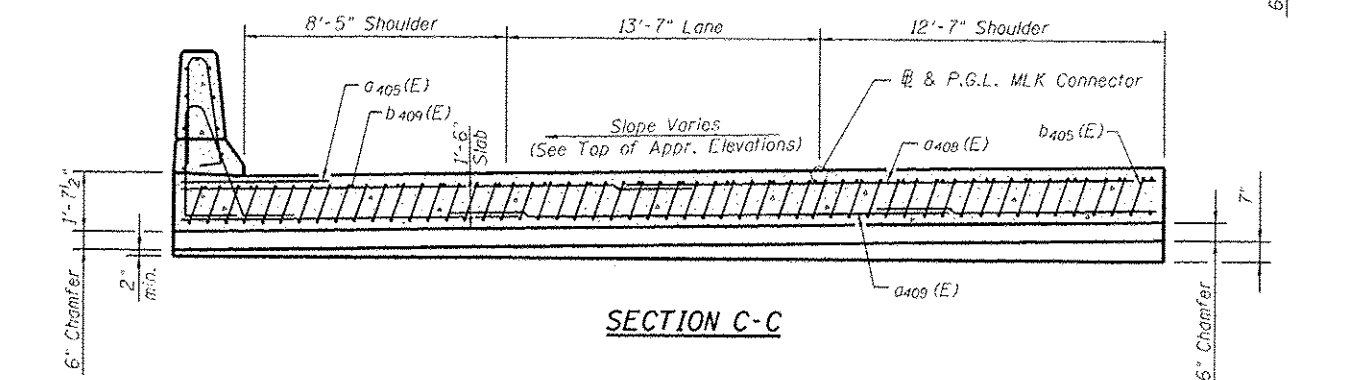
PREFORMED JOINT SEAL

- 2 3/4" at 50° F at rt. L's
- ** Furnish in segments of 20 ft. maximum length. Maximum space between installed segments shall be 3/16". Seal space with Silicone Sealant suitable for Structural Steel.
- *** Cut retainer bars 6" short of End of Slab.

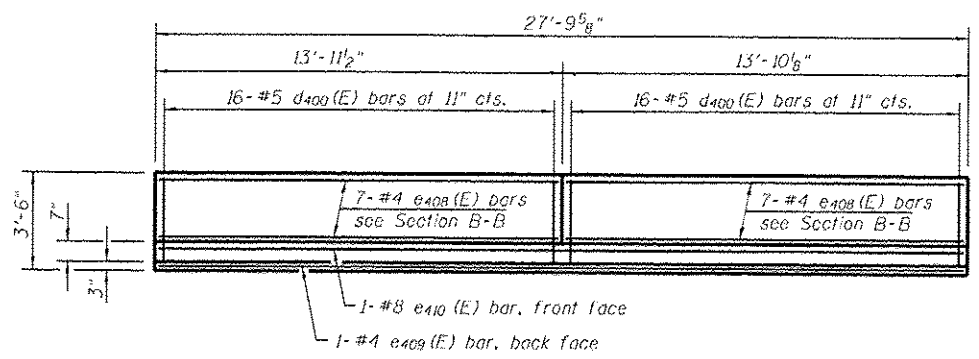
Note:
After fabrication all surfaces of the steel plates shall be given one shop coat of paint specified for Structural Steel. No field painting required.



SECTION B-B



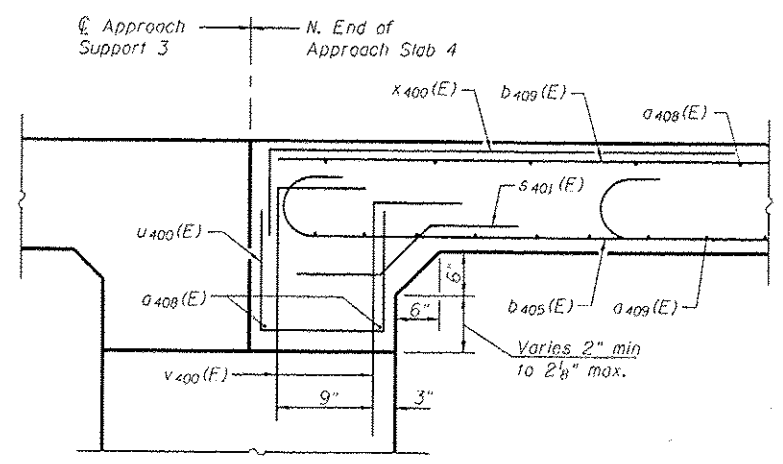
SECTION C-C



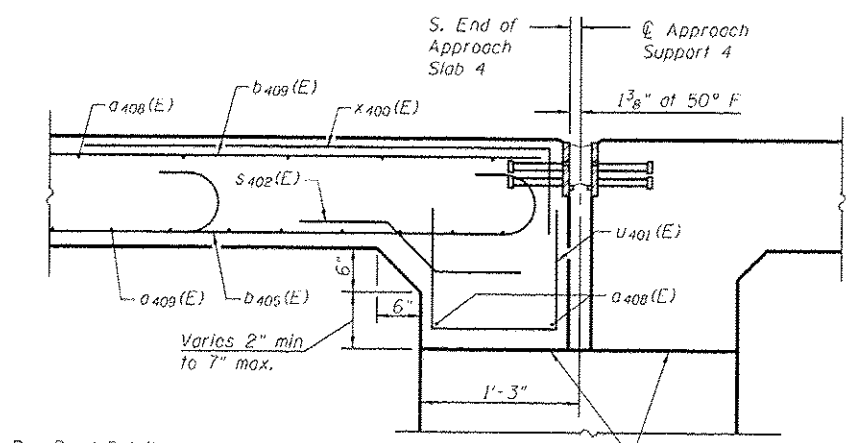
VIEW D-D

MINIMUM BAR LAP

- #4 bar = 2'-0"
- #5 bar = 2'-6"

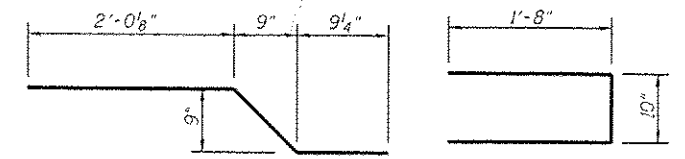


VIEW E-E



VIEW F-F

DETAIL A



BAR S402(E)

BAR U401(E)

**APPROACH SLAB 4
BILL OF MATERIAL**

Bar	No.	Size	Length	Shape
a405(E)	23	#6	6'-6"	—
a408(E)	56	#4	19'-6"	—
a409(E)	129	#5	14'-0"	—
b405(E)	75	#10	30'-8"	—
b409(E)	62	#4	14'-10"	—
d400(E)	32	#5	6'-10"	—
d402(E)	32	#5	8'-9"	—
e409(E)	14	#4	13'-8"	—
e408(E)	1	#4	27'-7"	—
e410(E)	1	#8	27'-7"	—
s401(E)	38	#5	4'-0"	—
s402(E)	37	#5	3'-10"	—
u400(E)	38	#5	4'-4"	—
u401(E)	37	#5	4'-2"	—
x400(E)	60	#5	8'-10"	—
Concrete Superstructure		Cu. Yd.	63.6	
Preformed Joint Seal 4"		Foot	34	
Reinforcement Bars, Epoxy Coated		Pound	15,290	

***** Textured Epoxy Coated Reinforcement bars. See Special Provision.

Notes:
See sheet 34 of 97 for Bar Bend Details.
See sheet 36 of 97 for Parapet Joint Details.

10 mil Polyethylene bond breaker on steel trowl finish. Cost included with Concrete Superstructure.

LOCHMUELLER GROUP
1801 BROADWAY, SUITE 200
CHICAGO, IL 60601
PHONE 312.361.1000

USER NAME - elaysharan
Illinois Design Firm Number 184,001670
PLOT SCALE -
PLOT DATE - 1/17/2015

DESIGNED - BB
CHECKED - JD
DRAWN - WS
CHECKED - CJF

REVISED 1/9/2015 H&S
REVISED
REVISED
REVISED

**STATE OF ILLINOIS
DEPARTMENT OF TRANSPORTATION**

**APPROACH SLAB 4 DETAILS
STRUCTURE NO. 082-0349**

SHEET NO. 40 OF 97 SHEETS

F.A.I. RTE.	SECTION	COUNTY	TOTAL SHEETS	SHEET NO.
64	82-11,418-1	ST. CLAIR	406	135

CONTRACT NO. 76G09
ILLINOIS FED. AID PROJECT

FILE NAME: I:\2014\08\04\02\0349\082-0349-040.dwg - 1/17/2015