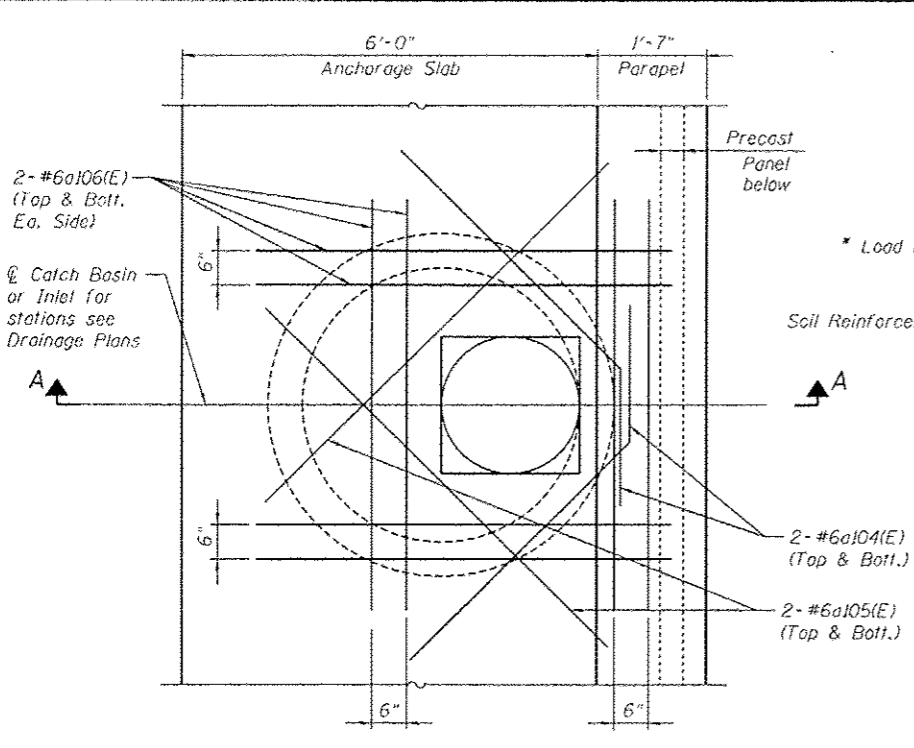
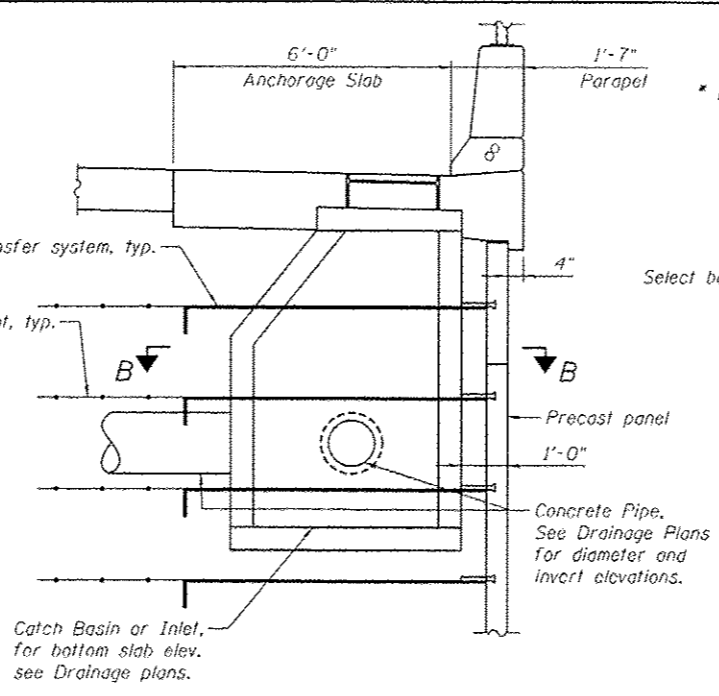


BAR LIST

Bar	No.	Size	Length	Shape
a101(E)	404	#6	8'-6"	—
a102(E)	338	#5	7'-4"	—
a103(E)	170	#6	2'-6"	—
a104(E)	8	#6	6'-6"	—
a105(E)	8	#6	7'-0"	—
a106(E)	32	#6	6'-0"	—
b101(E)	170	#5	30'-0"	—
b102(E)	34	#5	26'-11"	—
b103(E)	34	#5	9'-5"	—
d101(E)	378	#5	6'-10"	Δ
d102(E)	378	#5	5'-7"	Δ
d103(E)	5	#6	8'-11"	—
d104(E)	3	#6	4'-5"	—
d105(E)	3	#4	8'-1"	—
d106(E)	3	#4	4'-11"	—
e101(E)	160	#4	14'-8"	—
e102(E)	20	#8	14'-8"	—
e103(E)	16	#4	16'-9"	—
e104(E)	2	#8	16'-9"	—
h101(E)	15	#4	13'-10"	—
h102(E)	6	#4	10'-5"	—
h103(E)	4	#4	9'-4"	—
h104(E)	10	#4	7'-8"	—
h105(E)	20	#4	13'-3"	—
u101(E)	85	#4	3'-2"	—
v101(E)	10	#4	6'-4"	—

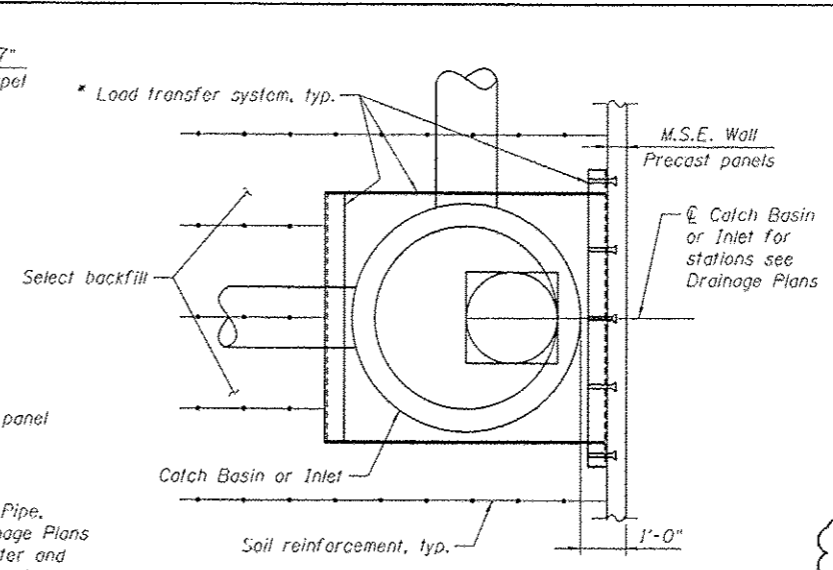


ANCHORAGE SLAB AT CATCH BASIN/INLET
(2 Thus)



SECTION A-A

* M.S.E. supplier to design load transfer system to accommodate pipe and catch basin and inlets.

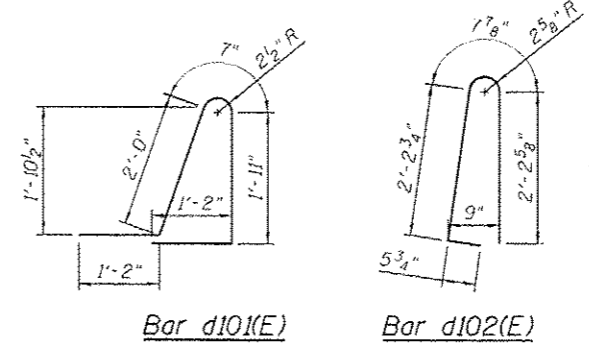


SECTION B-B

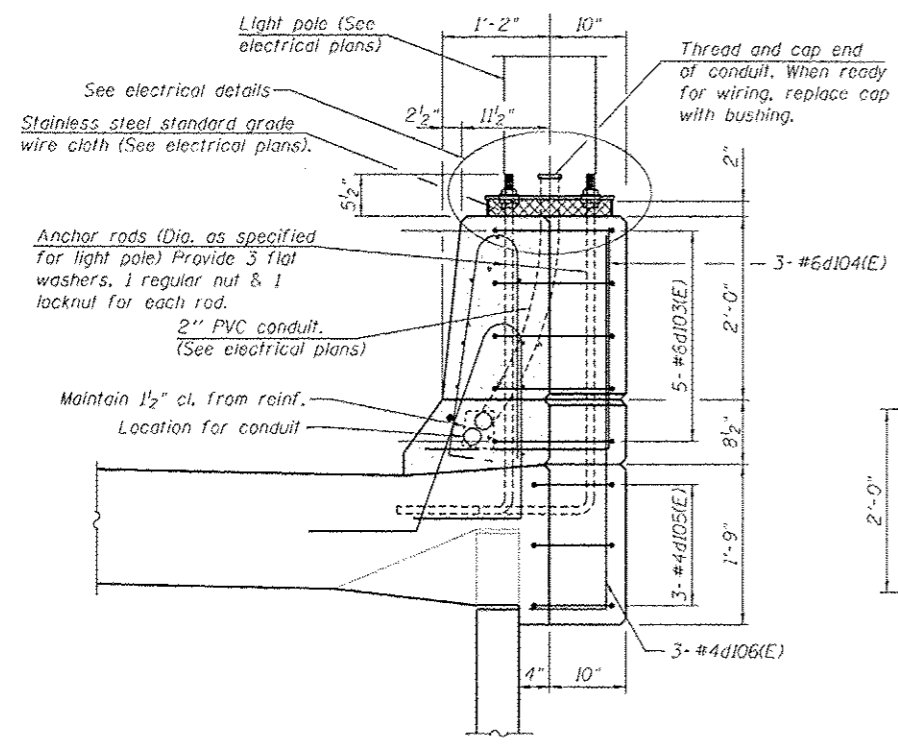
* M.S.E. supplier to design load transfer system to accommodate pipe and catch basin and inlets.

Bar	A	B
a101(E)	7'-3"	1'-3"
d104(E)	2'-0"	2'-5"
d106(E)	10"	4'-1"
h102(E)	8'-6"	1'-11"
h103(E)	7'-10"	1'-6"
h104(E)	3'-10"	3'-10"

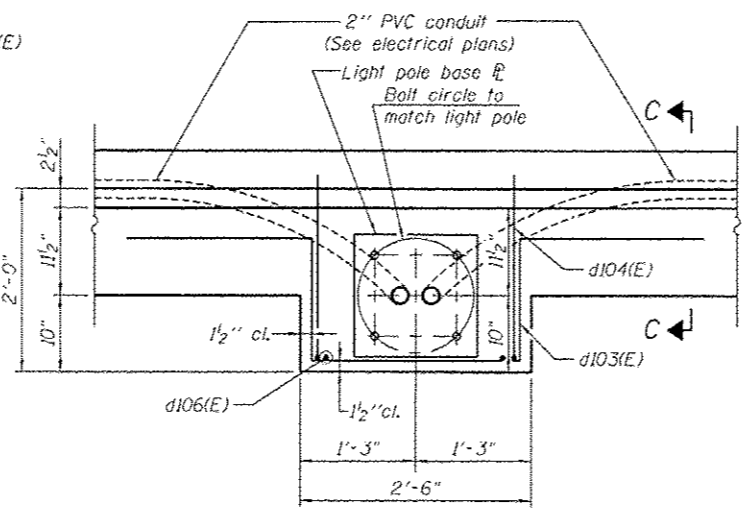
Bars a101(E), d104(E), d106(E) & h102(E) thru h104(E)



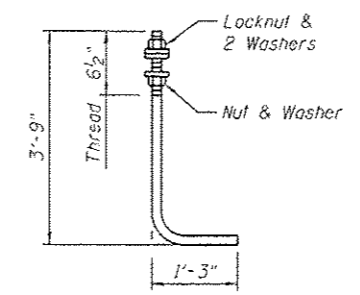
Bar d101(E) Bar d102(E)



SECTION C-C

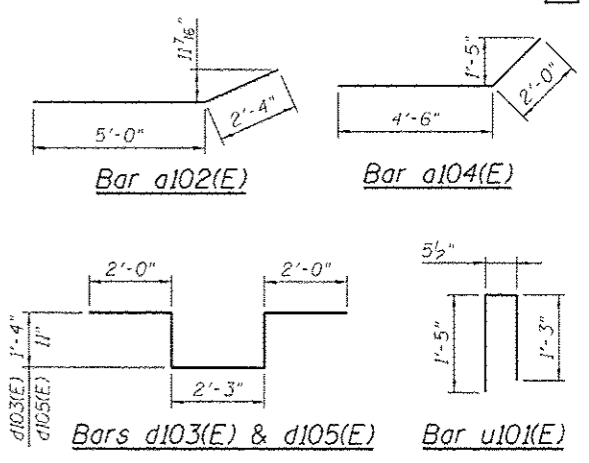


LIGHT POLE PLAN



ANCHOR ROD

Diameter as specified for light poles. (ASTM F 1554 Grade 105) Full length hot dip galvanized. 4-Anchor Rods per pole foundation. Cost of anchor rods is included with Concrete Superstructure.



Bar a102(E) Bar a104(E)
Bars d103(E) & d105(E) Bar u101(E)

BILL OF MATERIAL

Item	Unit	Total
Concrete Superstructure	Cu. Yd.	168.8
Reinforcement Bars, Epoxy Coated	Pound	23,720

FILE NAME: G:\Projects\2015-2016\11-25-2014\11-25-2014.dwg
 USER: GKE
 DATE: 11/25/2014
 DESIGNER: CPE
 CHECKER: BGK
 DRAWN: MET
 CHECKED: BGK
 REVISED: ADDENDUM NO. 1, 11/25/2014
 REVISED:

FILE NAME: G:\Projects\2015-2016\11-25-2014\11-25-2014.dwg	USER: GKE	DESIGNER: CPE	REVISED: ADDENDUM NO. 1, 11/25/2014
DATE: 11/25/2014	CHECKER: BGK	DRAWN: MET	REVISED:
PLOT SCALE:	CHECKED: BGK	REVISED:	
PLOT DATE:			

**STATE OF ILLINOIS
DEPARTMENT OF TRANSPORTATION**

**ANCHORAGE SLAB DETAILS
2 OF 2**

SHEET NO. 53-3 OF 15 SHEETS

F.A.P. RTE. 745	SECTION 123B-2	COUNTY MORGAN	TOTAL SHEETS 782	SHEET NO. 564
SN 069-7900		CONTRACT NO. 72B58		

ILLINOIS FED. AID PROJECT