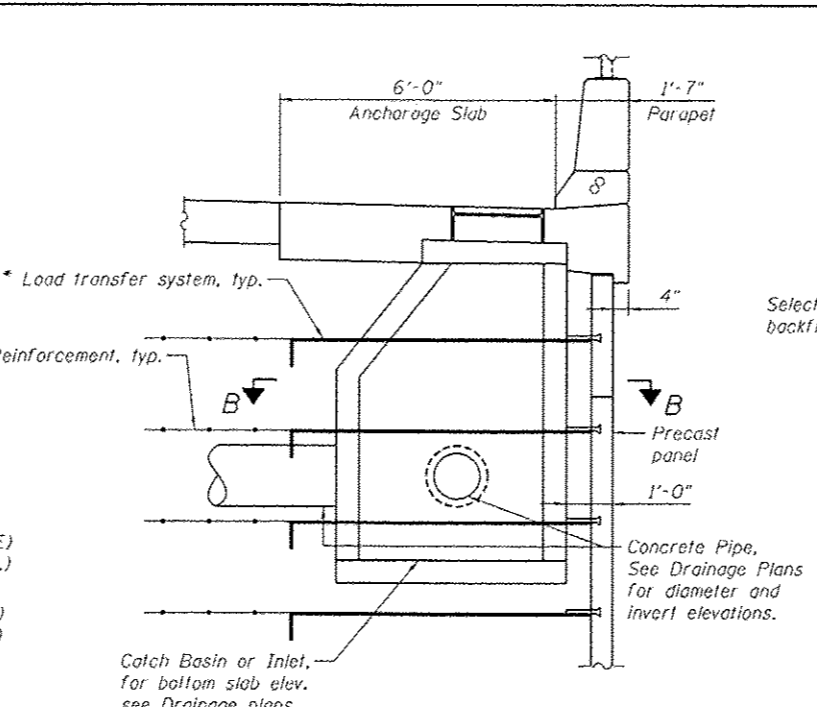
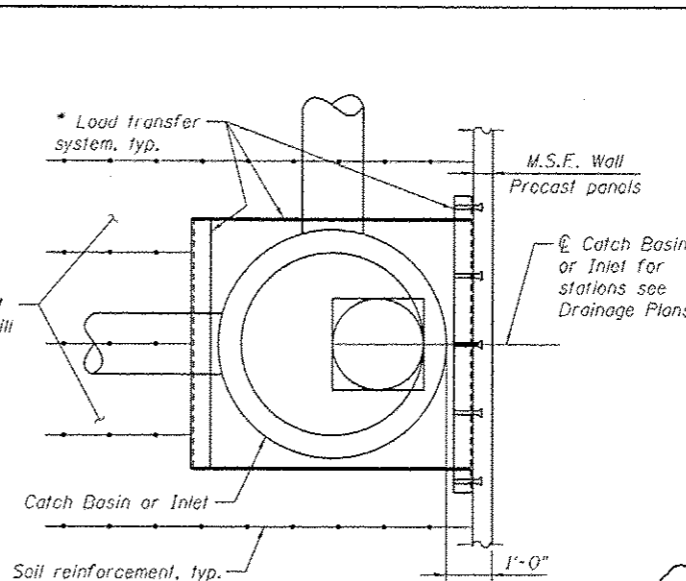


ANCHORAGE SLAB AT CATCH BASIN
(5 Thus)



SECTION A-A

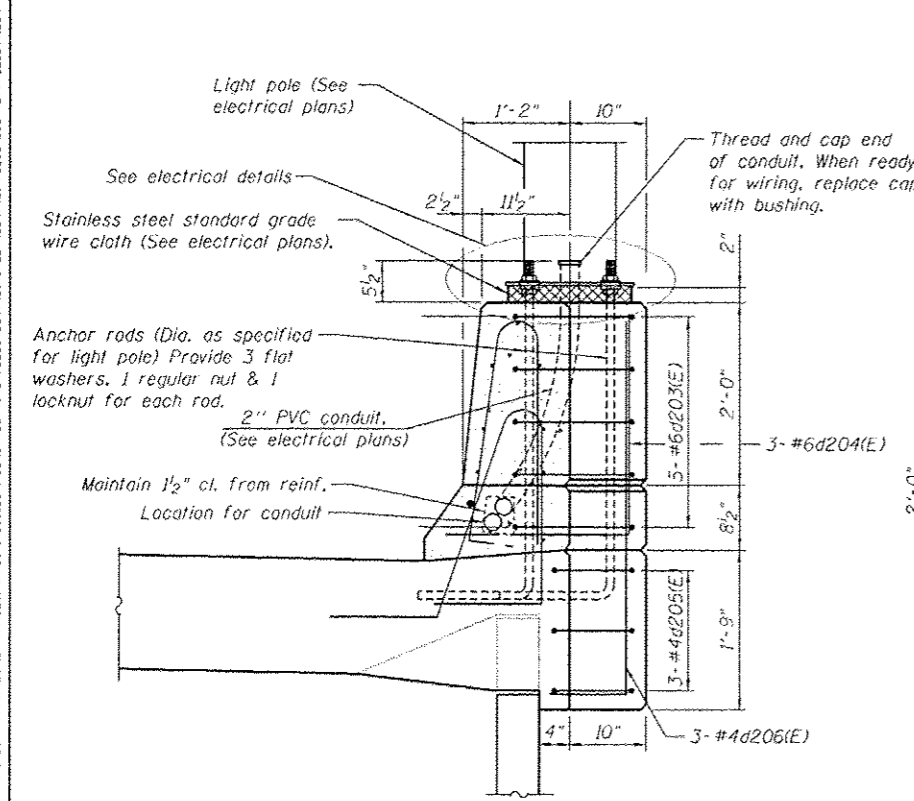
* M.S.E. supplier to design load transfer system to accommodate pipe and catch basin and inlets.



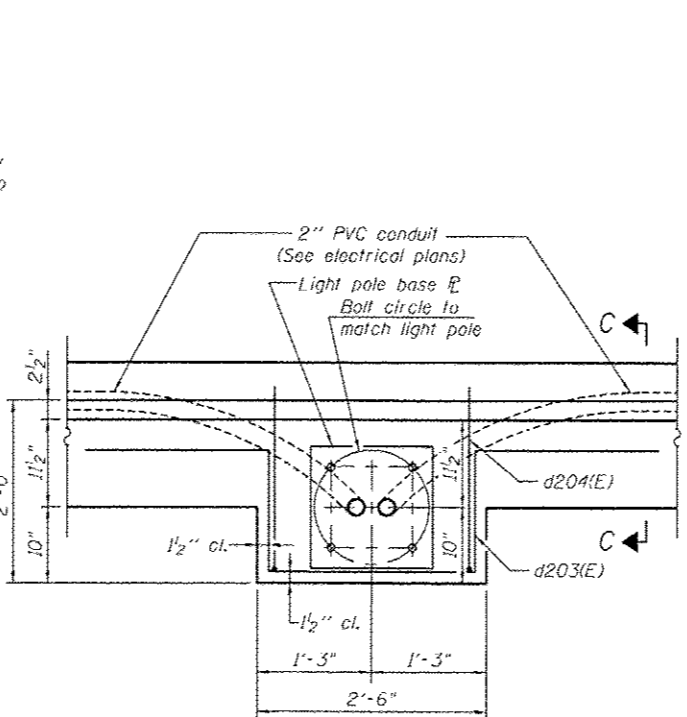
SECTION B-B

* M.S.E. supplier to design load transfer system to accommodate pipe and catch basin and inlets.

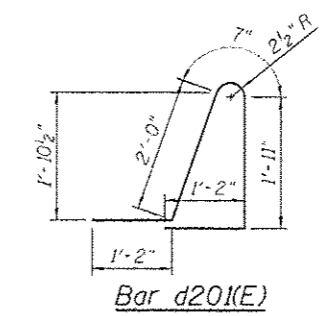
BAR LIST				
Bar	No.	Size	Length	Shape
a201(E)	629	#5	7'-4"	—
a202(E)	754	#6	8'-6"	—
a203(E)	20	#6	6'-6"	—
a204(E)	20	#6	7'-0"	—
a205(E)	80	#6	6'-0"	—
b201(E)	255	#5	30'-0"	—
b202(E)	51	#5	13'-0"	—
b203(E)	64	#5	23'-7"	—
b204(E)	34	#5	13'-9"	—
b205(E)	68	#5	23'-9"	—
d201(E)	703	#5	8'-2"	⌒
d202(E)	703	#5	4'-5"	⌒
d203(E)	5	#6	8'-11"	⌒
d204(E)	3	#6	4'-5"	⌒
d205(E)	3	#4	8'-1"	⌒
d206(E)	3	#4	4'-11"	⌒
e201(E)	304	#4	14'-8"	—
e202(E)	38	#8	14'-8"	—
e203(E)	16	#4	14'-7"	—
e204(E)	2	#8	14'-7"	—
e205(E)	8	#4	9'-5"	—
e206(E)	1	#8	9'-5"	—
e207(E)	8	#4	10'-3"	—
e208(E)	1	#8	10'-3"	—
h201(E)	20	#4	13'-11"	—
u201(E)	32	#4	3'-2"	⌒



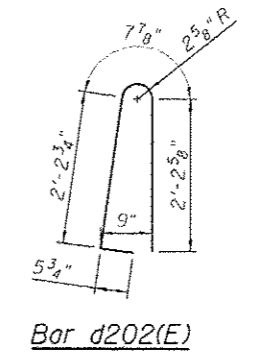
SECTION C-C



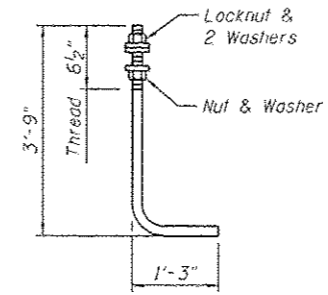
LIGHT POLE PLAN



Bar d201(E)



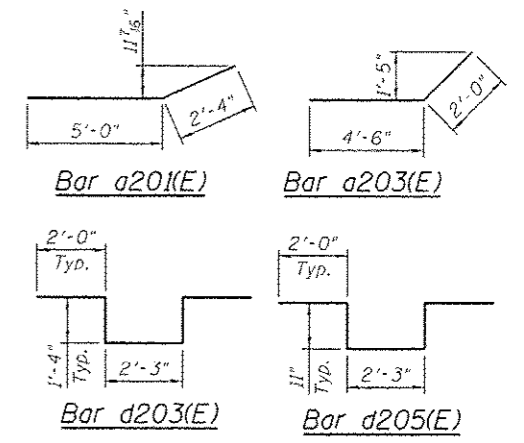
Bar d202(E)



ANCHOR ROD

Diameter as specified for light poles. (ASTM F 1554 Grade 105) Full length hot dip galvanized. 4-Anchor Rods per pole foundation. Cost of anchor rods is included with Concrete Superstructure.

Bar u201(E)



Bar a201(E)

Bar a203(E)

Bar d203(E)

Bar d205(E)

Bar	A	B
a202(E)	7'-3"	1'-3"
a204(E)	2'-0"	2'-5"
d206(E)	10"	4'-1"

Bars a202(E), d204(E) & d206(E)

BILL OF MATERIAL		
Item	Unit	Total
Concrete Superstructure	Cu. Yd.	304.3
Reinforcement Bars, Epoxy Coated	Pound	42,430

FILE NAME: ... USER NAME: ... DESIGNED: CPH ... CHECKED: BCK ... REVISIONS: ... DATE: 11/25/2014 ... PLOT SCALE: ... PLOT DATE: ...

FILE NAME	USER NAME	DESIGNED - CPH	REVISIONS - ADDENDUM NO. 1, 11/25/2014
DATE - 11/25/2014	CHECKED - BCK	DRAWN - CPH	CHECKED - BCK
PLOT SCALE	PLOT DATE		

STATE OF ILLINOIS
DEPARTMENT OF TRANSPORTATION

ANCHORAGE SLAB DETAILS
2 OF 2

SHEET NO. S4-8 OF 13 SHEETS

F.A.P. R.T.E.	SECTION	COUNTY	TOTAL SHEETS	SHEET NO.
745	123B-2	MORGAN	182	578
	SN 069-7901		CONTRACT NO. 72B58	