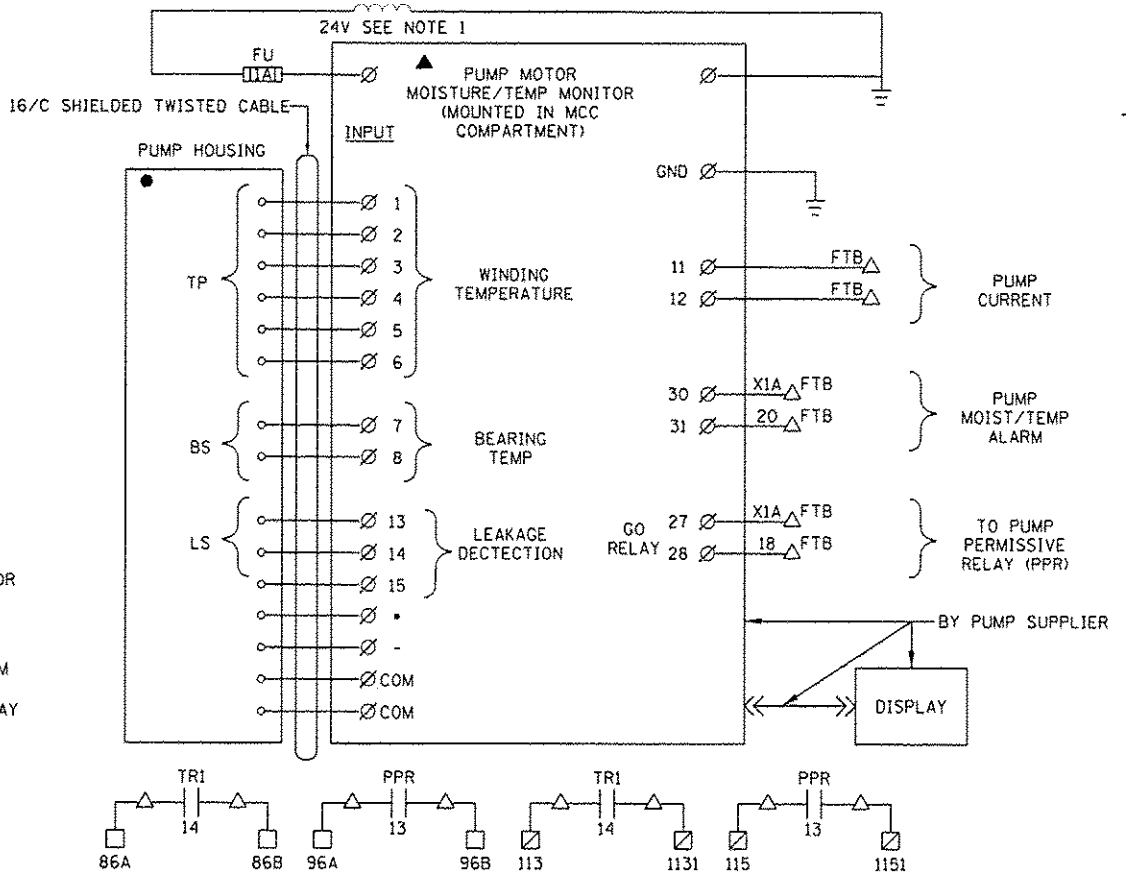


- LEGEND**
- △ TERMINAL IN MOTOR STARTER
 - TERMINAL IN CONTROL PANEL
 - ▣ PLC TERMINAL IN CONTROL PANEL
 - ⊗ TERMINAL IN PUMP MONITOR
 - DEVICE LOCALLY MOUNTED
 - ▲ DEVICE LOCATED ON MCC COMPARTMENT DOOR
 - DEVICE IN CONTROL PANEL
 - ◇ COMBUSTIBLE GAS DETECTOR PANEL TERMINAL
 - ◊ FIRE ALARM PANEL TERMINAL
 - ◈ INTRUSION ALARM PANEL TERMINAL
 - ⊠ VENTILATION PANEL TERMINAL
 - ▧ GENERATOR CONTROL PANEL TERMINAL



- NOTES:**
- COORDINATE WITH PUMP SUPPLIER, INSTALL MONITOR IN MCC COMPARTMENT. INSTALL DISPLAY ON DOOR, AND PROVIDE CONTROL TRANSFORMER AND SENSOR WIRING FOR THE INSTALLED EQUIPMENT. BEARING TEMPERATURE SWITCHES MAY BE PROVIDED IN LIEU OF BEARING TEMPERATURE SENSORS SHOWN.
 - WIRE NUMBERS SHOWN FOR MP-1. TYPICAL FOR MP-2 AND MP-3.

WIRE NUMBER PREFIX TABLE	
PUMP	PREFIX
MAIN PUMP 1	MP1-##
MAIN PUMP 2	MP2-##
MAIN PUMP 3	MP3-##
LOW FLOW PUMP	LFP-##

MAIN PUMP NO. 1 CONTROL SCHEMATIC (TYPICAL FOR OTHER MAIN PUMPS)

FILE NAME: E-5.dgn	USER NAME: jeburto	DESIGNED: RV	REVISED: ADDENDUM NO. 1 11/25/2014
MILHOUSE ENGINEERS & CONSTRUCTORS	PLOT SCALE: AS SHOWN	DRAWN: RV	REVISED: -
	PLOT DATE: 10/31/2014	CHECKED: JC	REVISED: -
		APPROVED: JZ	REVISED: -

STATE OF ILLINOIS
DEPARTMENT OF TRANSPORTATION

IL-104 PUMP STATION
MAIN PUMP CONTROL SCHEMATIC

SCALE:	SHEET NO. E-5 OF 18 SHEETS	STA. TO STA.	F.A. RTE. 745	SECTION 123B-2	COUNTY MORGAN	TOTAL SHEETS 782	SHEET NO. 634
			FED. ROAD DIST. NO. ILLINOIS/FED. AID PROJECT				