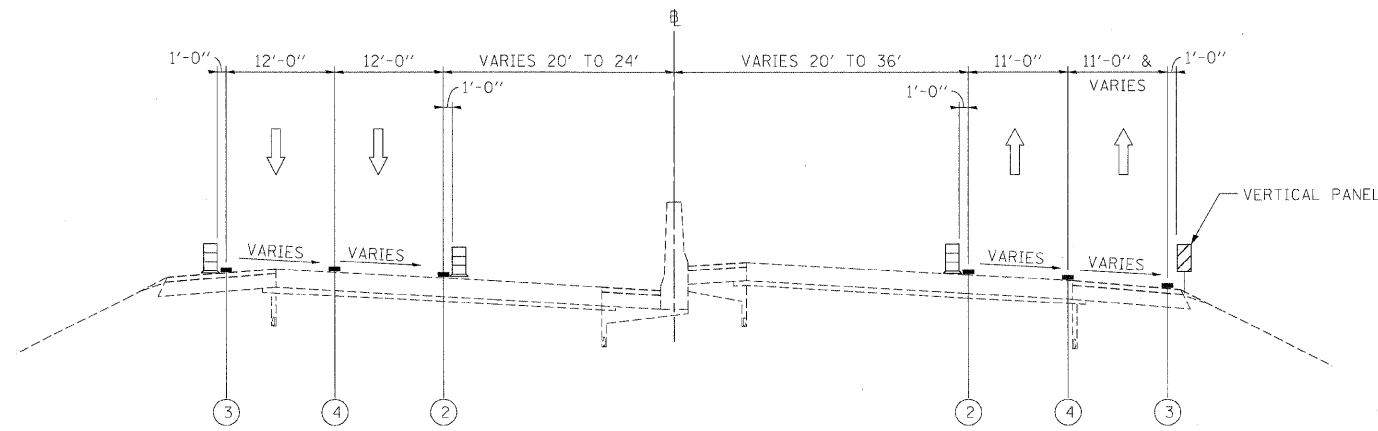


**STAGE 3  
MAINTENANCE OF TRAFFIC  
TYPICAL SECTION**

SEE STAGE CONSTRUCTION DETAILS FOR TYPICAL SECTION THROUGH BRIDGE  
BRIDGE OMISSION  
STA 349+84 TO STA 354+01

BRIDGE OMISSION  
STA 348+80 TO STA 353+23



**STAGE 3  
MAINTENANCE OF TRAFFIC  
TYPICAL SECTION**

STA 357+80 TO STA 359+20 (WB)

STA 357+25 TO STA 362+85

- LEGEND**
- ① EXISTING PAVEMENT MARKING
  - ② WET REFLECTIVE TEMPORARY TAPE, - TYPE III, 4 INCH (YELLOW)
  - ③ WET REFLECTIVE TEMPORARY TAPE, - TYPE III, 4 INCH (WHITE)
  - ④ WET REFLECTIVE TEMPORARY TAPE, - TYPE III, 5 INCH (WHITE)
  - ⑤ TEMPORARY PAVEMENT MARKING - LINE 6" (YELLOW) (ON BARRIER)
  - ⑥ TEMPORARY PAVEMENT MARKING - LINE 6" (WHITE) (ON BARRIER)
  - ⑦ WET REFLECTIVE TEMPORARY TAPE - TYPE III, 8 INCH (WHITE)
  - TEMPORARY CONCRETE BARRIER
  - TYPE II BARRIER, DRUM, OR VERTICAL BARRICADE WITH STEADY BURN MONODIRECTIONAL LIGHT
  - WORK ZONE

FILE NAME =	DESIGNED - AJP	REVISED -
...prpin_ABC_C4_n1_mot.typ.st.3.02.dgn	DRAWN - TMB	REVISED -
USER NAME = tblank	CHECKED - JJT	REVISED -
PLOT DATE = 11/13/2009	DATE - 10/16/09	REVISED -

**benesch**

**STATE OF ILLINOIS  
DEPARTMENT OF TRANSPORTATION**

**MAINTENANCE OF TRAFFIC  
TYPICAL SECTIONS - STAGE 3**

SCALE: N.T.S. SHEET NO. 57 OF 69 SHEETS STA. TO STA.

F.A.I. RTE.	SECTION	COUNTY	TOTAL SHEETS	SHEET NO.
290	2009-0998R	COOK/DUPAGE	309	102
FED. ROAD DIST. NO. ILLINOIS FED. AID PROJECT			CONTRACT NO. 60157	