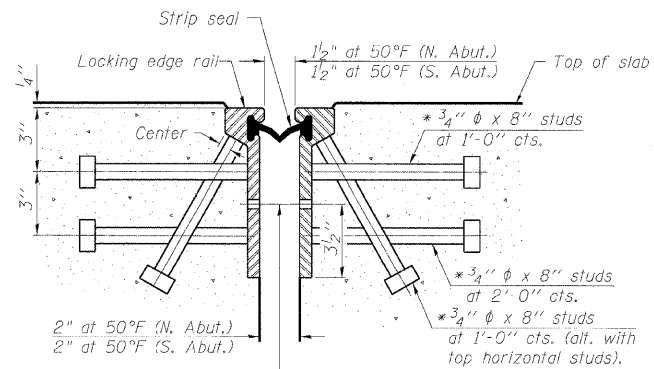


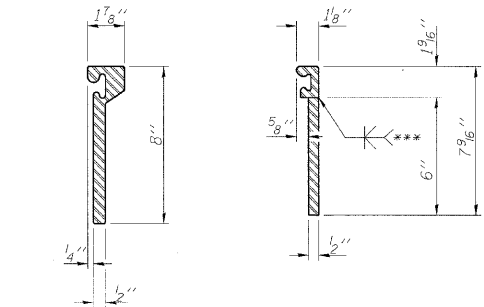
STATE OF ILLINOIS  
DEPARTMENT OF TRANSPORTATION

\* Granular or solid flux filled headed studs conforming to Article 1006.32 of the Std. Specs., automatically end welded.

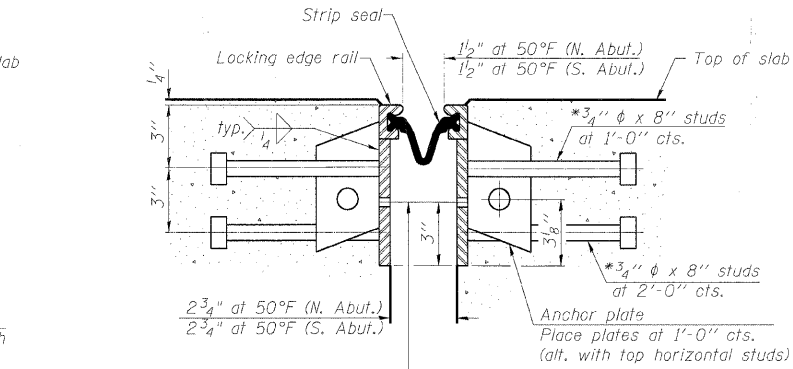


7/16"  $\phi$  holes at 4'-0" cts. for 3/8"  $\phi$  bolts. All bolts shall be burned, sawed, or chipped off flush with the plates after forms are removed, typ.

SECTION THRU  
ROLLED RAIL JOINT

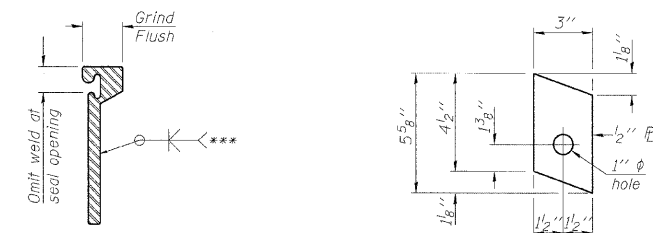


ROLLED  
EXTRUDED RAIL      WELDED RAIL



7/16"  $\phi$  holes at 4'-0" cts. for 3/8"  $\phi$  bolts. All bolts shall be burned, sawed, or chipped off flush with the plates after forms are removed, typ.

SECTION THRU  
WELDED RAIL JOINT



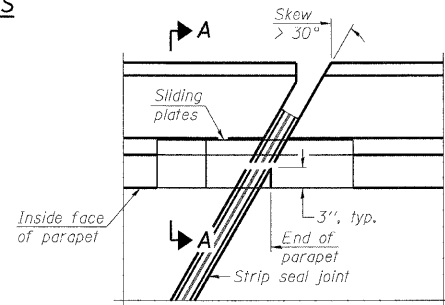
ANCHOR PLATE  
(For welded rail)

\*\*\*Back gouge not required if complete joint penetration is verified by mock-up.

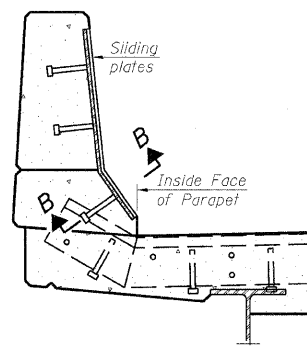
LOCKING EDGE  
RAIL SPLICE

The inside of the locking edge rail groove shall be free of weld residue.

LOCKING EDGE RAILS

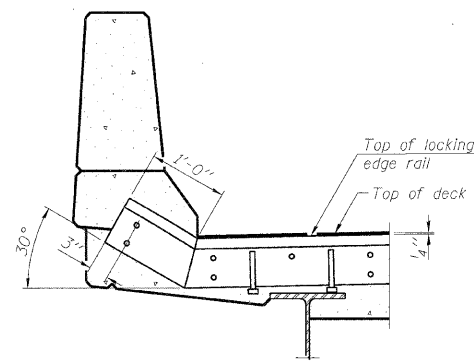


PLAN

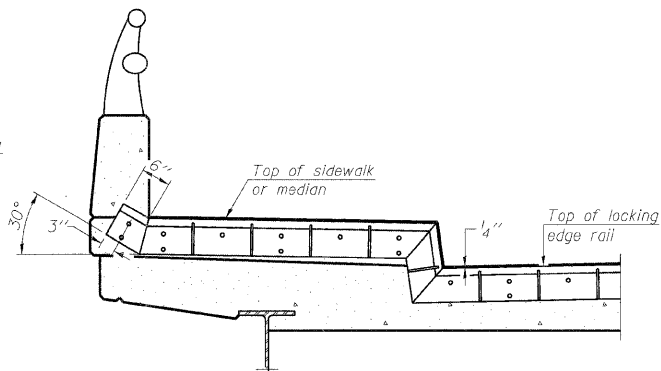


SECTION A-A

POINT BLOCK DETAILS  
(for skews > 30°)



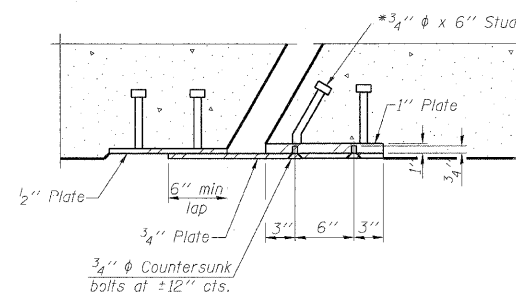
AT PARAPET



AT SIDEWALK OR MEDIAN

Shorter plates with a single row of studs at 12" cts. may be necessary on medians which are shallower than 9". See manufacturer's recommendation.

TYPICAL END TREATMENTS



SECTION B-B

BILL OF MATERIAL

| Item                       | Unit | Total |
|----------------------------|------|-------|
| Preformed Joint Strip Seal | Foot | 165.0 |

|            |     |
|------------|-----|
| DESIGNED - | TJJ |
| CHECKED -  | AAV |
| DRAWN -    | RMG |
| CHECKED -  | AAV |

EJ-SSJ

10-1-08

benesch

alfred benesch & company  
Engineers • Surveyors • Planners  
205 North Michigan Avenue, Suite 2400  
Chicago, Illinois 60601  
312-665-0450      Job No. 10050

| SHEET NO. 7         | F.A.I. RTE.        | SECTION                   | COUNTY      | TOTAL SHEETS | SHEET NO. |
|---------------------|--------------------|---------------------------|-------------|--------------|-----------|
|                     | 290                | 2009-099 BR               | COOK/DUPAGE | 309          | 187       |
| 10 SHEETS           | CONTRACT NO. 60157 |                           |             |              |           |
| FED. ROAD DIST. NO. |                    | ILLINOIS FED. AID PROJECT |             |              |           |

PREFORMED JOINT STRIP SEAL  
STRUCTURE NO. 016-1131