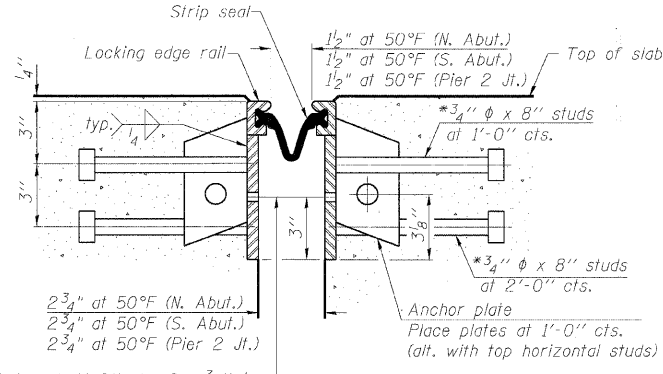
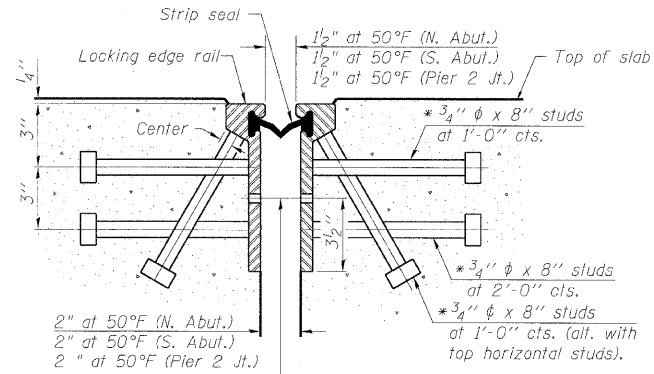


\* Granular or solid flux filled headed studs conforming to Article 1006.32 of the Std. Specs., automatically end welded.

STATE OF ILLINOIS  
DEPARTMENT OF TRANSPORTATION



7/16"  $\phi$  holes at 4'-0" cts. for 3/8"  $\phi$  bolts. All bolts shall be burned, sawed, or chipped off flush with the plates after forms are removed, typ.

7/16"  $\phi$  holes at 4'-0" cts. for 3/8"  $\phi$  bolts. All bolts shall be burned, sawed, or chipped off flush with the plates after forms are removed, typ.

Notes:

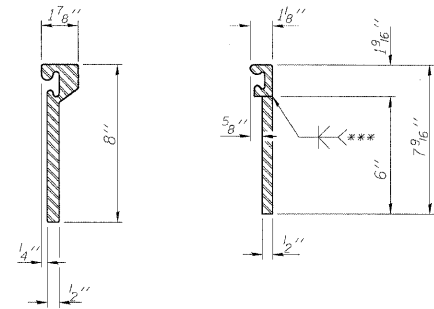
The strip seal shall be made continuous and shall have a minimum thickness of 1/4". The configuration of the strip seal shall match the configuration of the Locking Edge Rails. Open or "webbed" strip seal gland configurations are not permitted. The gland shall be sized for a maximum rated movement of 4 inches.

The height and thickness of the Locking Edge Rails shown are minimum dimensions. The actual configuration of the Locking Edge Rails and matching strip seal may vary from manufacturer to manufacturer. Flanged edge rails will not be allowed. Locking Edge Rails may be spliced at slope discontinuities and stage construction joints.

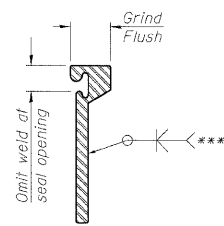
The manufacturer's recommended installation methods shall be followed. The joint opening and deck dimensions detailed on the superstructure are based on a rolled rail expansion joint. If the Contractor elects to use the welded rail expansion joint, the opening and deck dimensions shall be modified according to the dimensions detailed on this sheet. Required modifications shall be made at no additional cost to the State.

All steel components shall be galvanized after fabrication according to Article 520.03 of the Standard Specifications.

SECTION THRU  
ROLLED RAIL JOINT



ROLLED  
EXTRUDED RAIL      WELDED RAIL

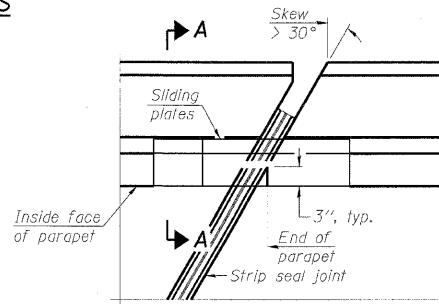


\*\*\*Back gauge not required if complete joint penetration is verified by mock-up.

LOCKING EDGE  
RAIL SPLICE

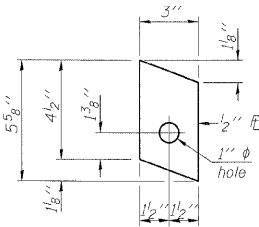
The inside of the locking edge rail groove shall be free of weld residue.

LOCKING EDGE RAILS

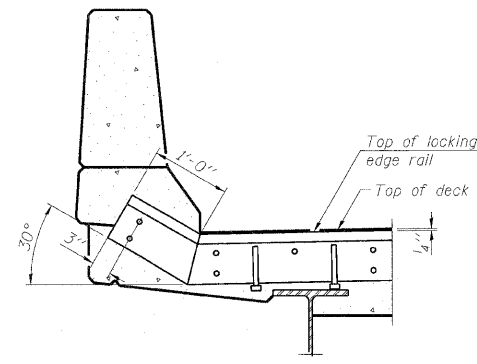


PLAN

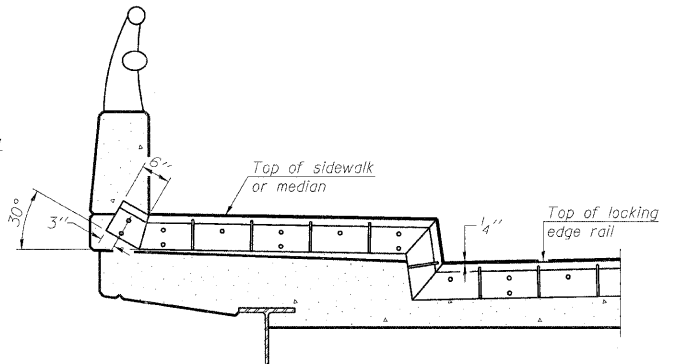
SECTION THRU  
WELDED RAIL JOINT



ANCHOR PLATE  
(for welded rail)



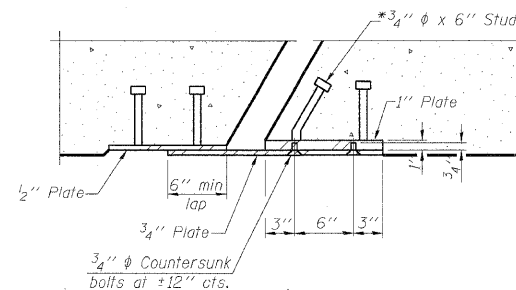
AT PARAPET



AT SIDEWALK OR MEDIAN

Shorter plates with a single row of studs at 12" cts. may be necessary on medians which are shallower than 9". See manufacturer's recommendation.

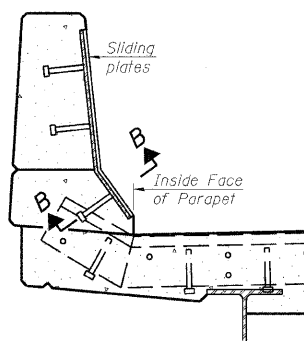
TYPICAL END TREATMENTS



SECTION B-B

BILL OF MATERIAL

Item	Unit	Total
Preformed Joint Strip Seal	Foot	325.5



SECTION A-A

POINT BLOCK DETAILS  
(for skews > 30°)

DESIGNED	-	TJJ
CHECKED	-	AAV
DRAWN	-	RMG
CHECKED	-	AAV

EJ-SSJ

10-1-08

benesch

alfred benesch & company  
Engineers • Surveyors • Planners  
205 North Michigan Avenue, Suite 2400  
Chicago, Illinois 60601  
312-565-0450      Job No. 10050

SHEET NO. 8  10 SHEETS	F.A.I. RTE.	SECTION	COUNTY	TOTAL SHEETS	SHEET NO.
	290	2009-099 BR	COOK/DUPAGE	309	217
FED. ROAD DIST. NO.			ILLINOIS	FED. AID PROJECT	
			CONTRACT NO. 60157		

PREFORMED JOINT STRIP SEAL  
STRUCTURE NO. 022-0007

x:\10000s\10050\engineering\documents\contract\1\SN\_022\_0008\_0007\_North\_Ave\0207-60G51-008-Stripseal.dgn

18:39:46

11/12/2009