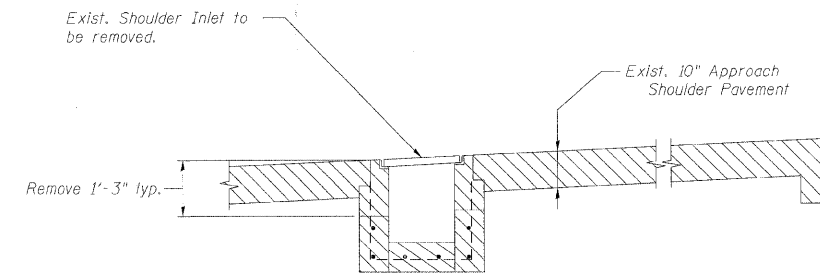
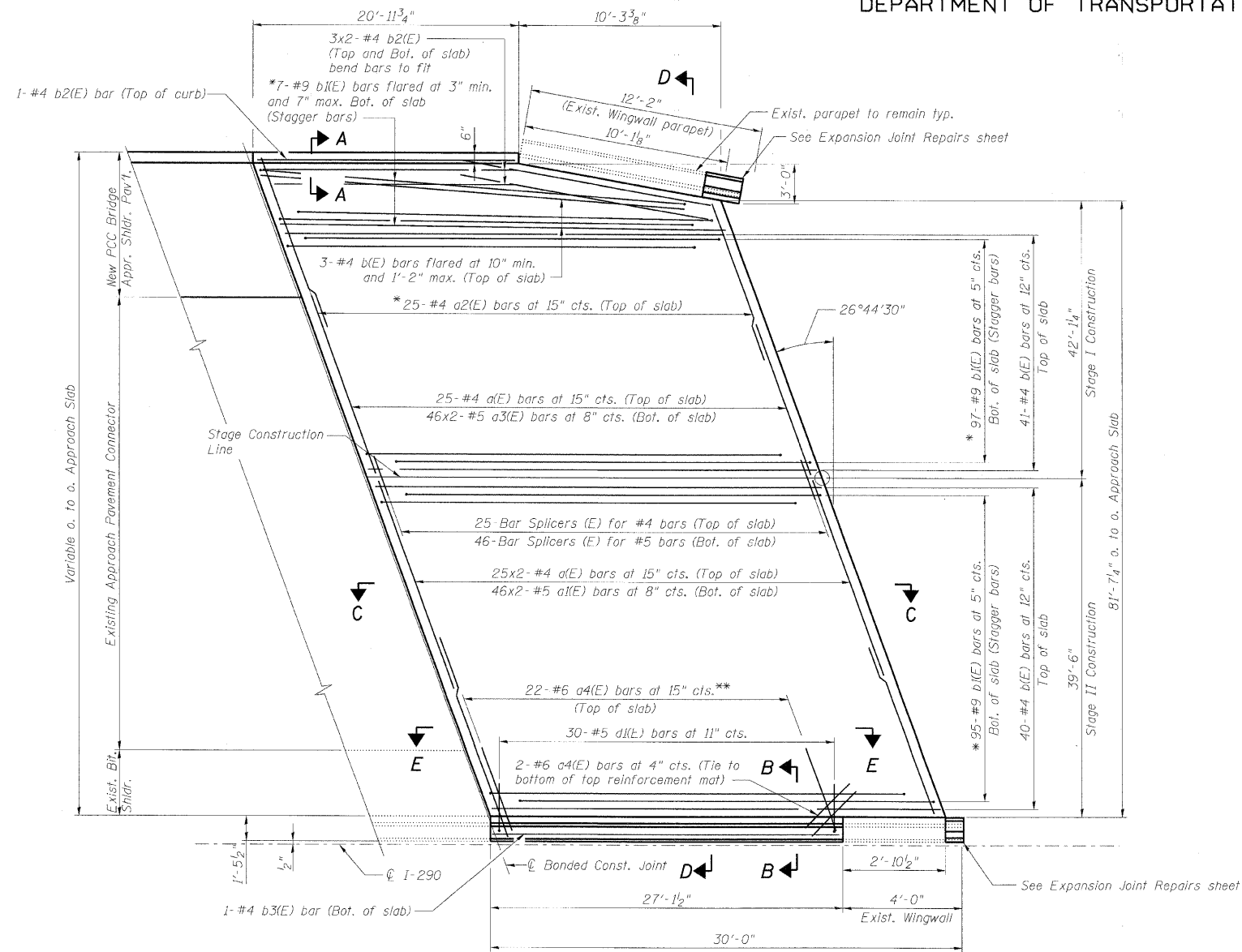


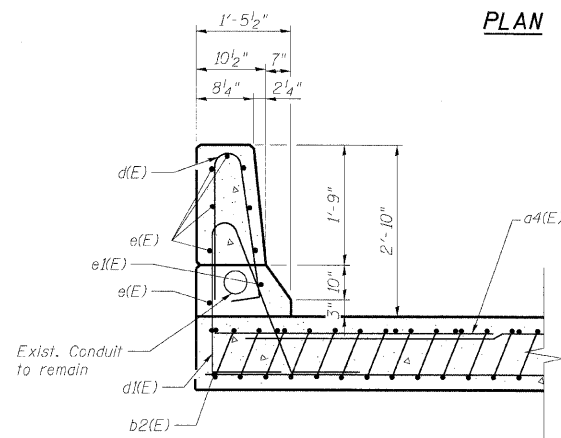
STATE OF ILLINOIS
DEPARTMENT OF TRANSPORTATION



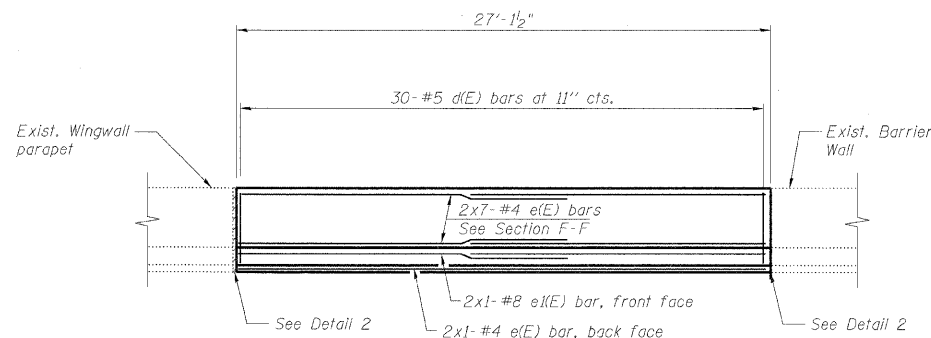
APPROACH SLAB REMOVAL DETAIL AT INLET

- * Till bars as required to maintain clearance.
- ** Alternate with d(E) bars.
- *** Cost included with Concrete Superstructure.

PLAN



SECTION B-B



VIEW E-E

Note:

Work this sheet with West Bridge Approach Slab Details (2 of 2).

**WEST BRIDGE APPROACH SLAB DETAILS
(1 OF 2)
STRUCTURE NO. 022-0006**

DESIGNED -	MFB
CHECKED -	KWS
DRAWN -	RMG
CHECKED -	KWS

benesch

alfred benesch & company
Engineers • Surveyors • Planners
205 North Michigan Avenue, Suite 2400
Chicago, Illinois 60601
312-555-0450 Job No. 10050

SHEET NO. 6 25 SHEETS	F.A.I. RTE. 290	SECTION 2009-099 BR	COUNTY COOK/DUPAGE	TOTAL SHEETS 309	SHEET NO. 225
	CONTRACT NO. 60157				
FED. ROAD DIST. NO.		ILLINOIS FED. AID PROJECT			