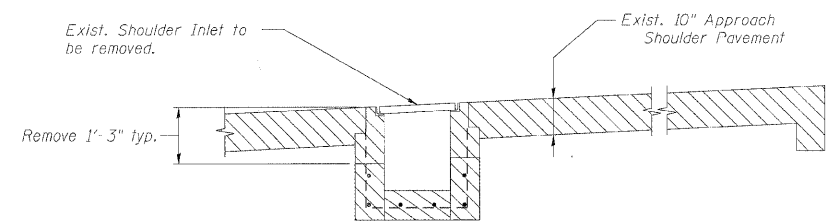
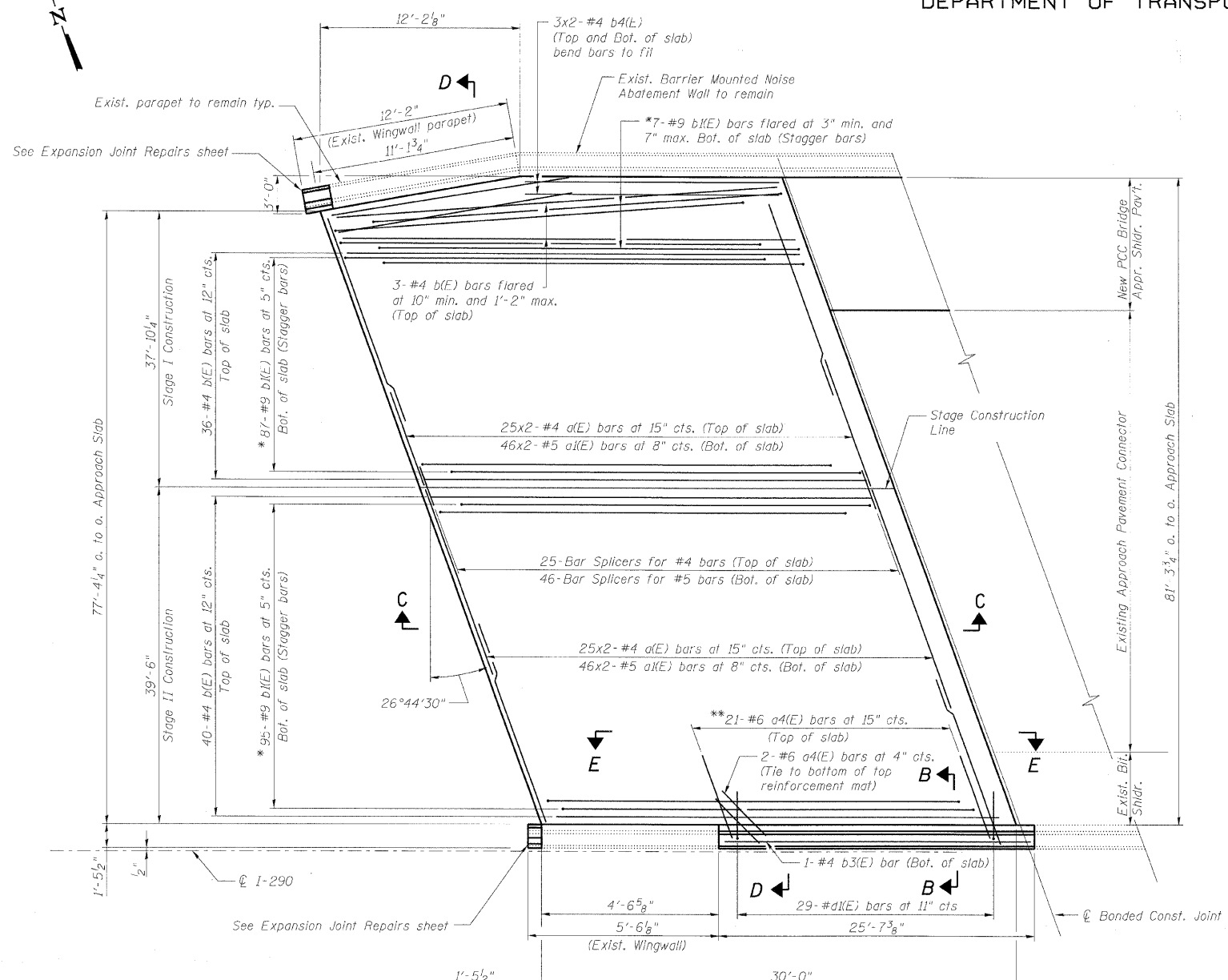


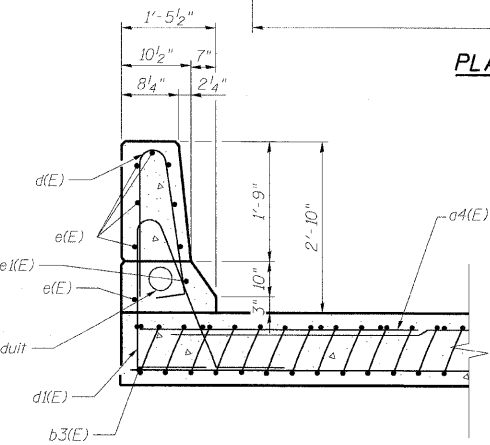
STATE OF ILLINOIS  
DEPARTMENT OF TRANSPORTATION



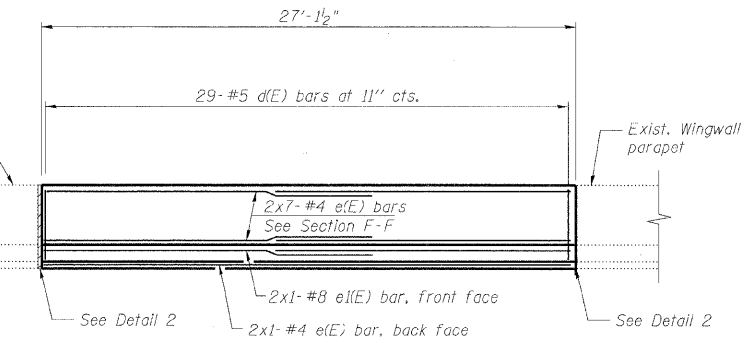
APPROACH SLAB REMOVAL DETAIL AT INLET

- \* Tilt bars as required to maintain clearance.
- \*\* Alternate with d(E) bars.
- \*\*\* Cast included with Concrete Superstructure.

PLAN



SECTION B-B



VIEW E-E

**Note:**  
Work this sheet with East Bridge Approach Slab Details (2 of 2) sheet.

EAST BRIDGE APPROACH SLAB DETAILS  
(1 OF 2)  
STRUCTURE NO. 022-0006

DESIGNED	MFB
CHECKED	KWS
DRAWN	RMG
CHECKED	KWS

**benesch**  
alfred benesch & company  
Engineers • Surveyors • Planners  
205 North Michigan Avenue, Suite 2400  
Chicago, Illinois 60601  
312-565-0450 Job No. 10050

SHEET NO. 8 25 SHEETS	F.A.I. RTE.	SECTION	COUNTY	TOTAL SHEET NO.
	290	2009-099 BR	COOK/DUPAGE	309 227
CONTRACT NO. 60157				
FED. ROAD DIST. NO.		ILLINOIS	FED. AID PROJECT	

x:\100205\10050\engineer\ing-documents\contract\1\sn\_022\_0006\_0005\_york\_r.d\0005-60051-008-Approach\_3.dgn 18:46:33 11/12/2009