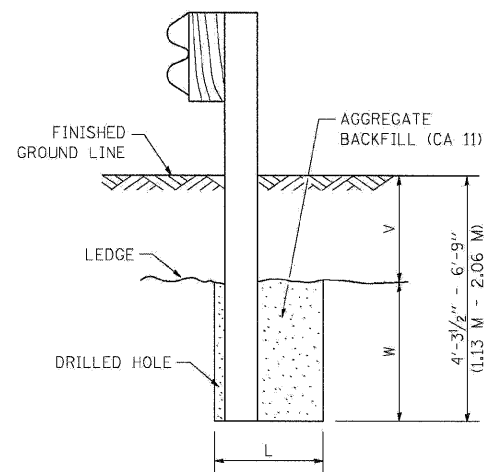


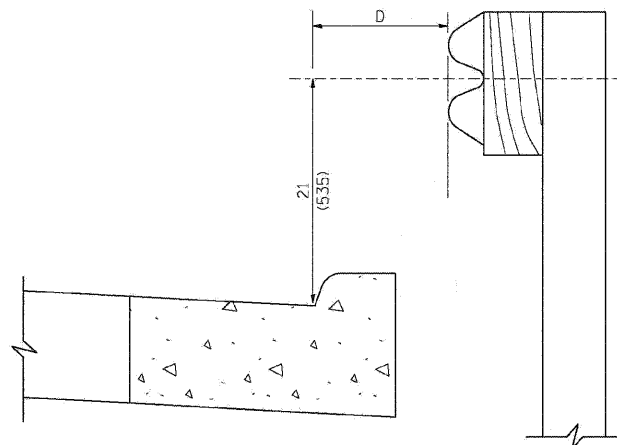
PLAN



NOTE:
LEDGE LINE IS TOP OF ROCK
LEDGE OR HARD SLAG FILL.

ELEVATION

FOOTING FOR POST WHEN IMPERVIOUS
MATERIAL IS ENCOUNTERED



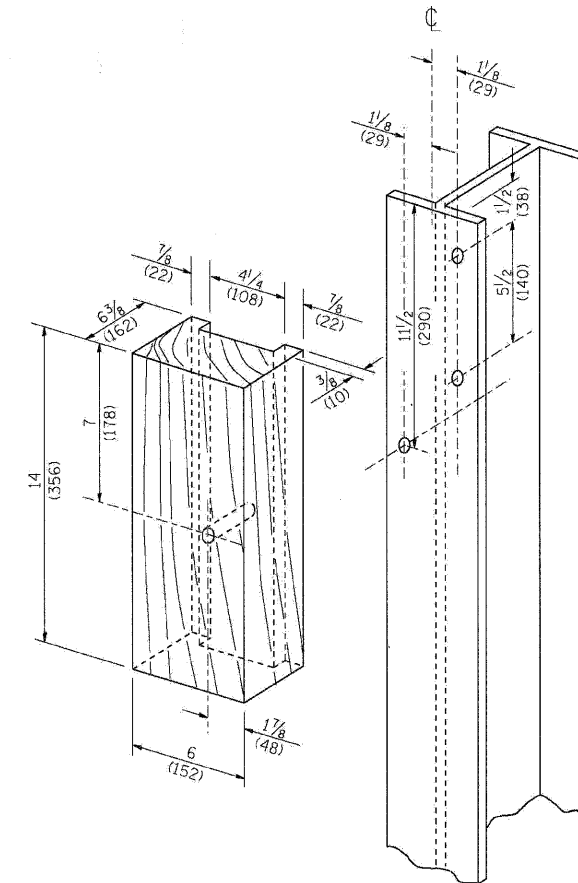
NOTE:

IF IT IS NECESSARY FOR D TO BE MORE THAN 12 (300) AND LESS THAN 10'-0" (3.0 M) TYPE M-2 (M-5) CURB AND GUTTER (STD. 606001) SHALL BE USED IN FRONT OF AND IN ADVANCE OF THE GUARDRAIL.

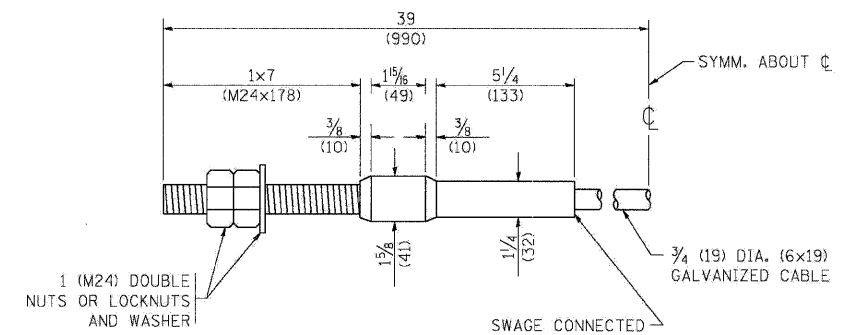
GUARDRAIL PLACED BEHIND CURB

(D = 0 DESIRABLE TO 12 (300) MAXIMUM)

V	W	L	
		STEEL POST	WOOD POST
0 - 18 (0 - 460)	24 (610)	21 (530)	23 (580)
>18 - 41.5 (> 460 - 825)	12 (305)	8 (203)	10 (250)
>41.5 - 53.5 (> 825 - 1.13 M)	12 - 0 (350 - 0)	8 (203)	10 (250)



WOOD BLOCK-OUT AND
STEEL POST DETAILS



CABLE ASSEMBLY

(40,000 LBS (18,100 KG) MIN. BREAKING STRENGTH)
TIGHTEN TO TAUT TENSION

FILE NAME =	DESIGNED - AJP	REVISED -
...Nprpln_ABC_C4_01_BM-210.dgn	DRAWN - TMB	REVISED -
USER NAME = jmajewski	CHECKED - JMM	REVISED -
PLOT DATE = 11/13/2009	DATE - 10/16/09	REVISED -

benesch

STATE OF ILLINOIS
DEPARTMENT OF TRANSPORTATION

REMOVE AND REERECT GUARDRAIL

SCALE: N.T.S. SHEET NO. 9 OF 16 SHEETS STA. TO STA.

F.A.I. RTE. 290	SECTION 2009-0998R	COUNTY COOK/DUPAGE	TOTAL SHEETS 309	SHEET NO. 302
FED. ROAD DIST. NO. [ILLINOIS] FED. AID PROJECT			CONTRACT NO. 60157	