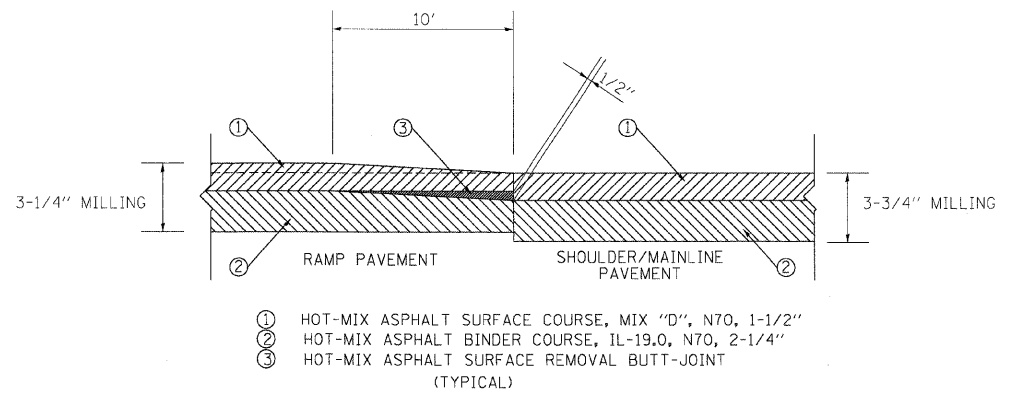
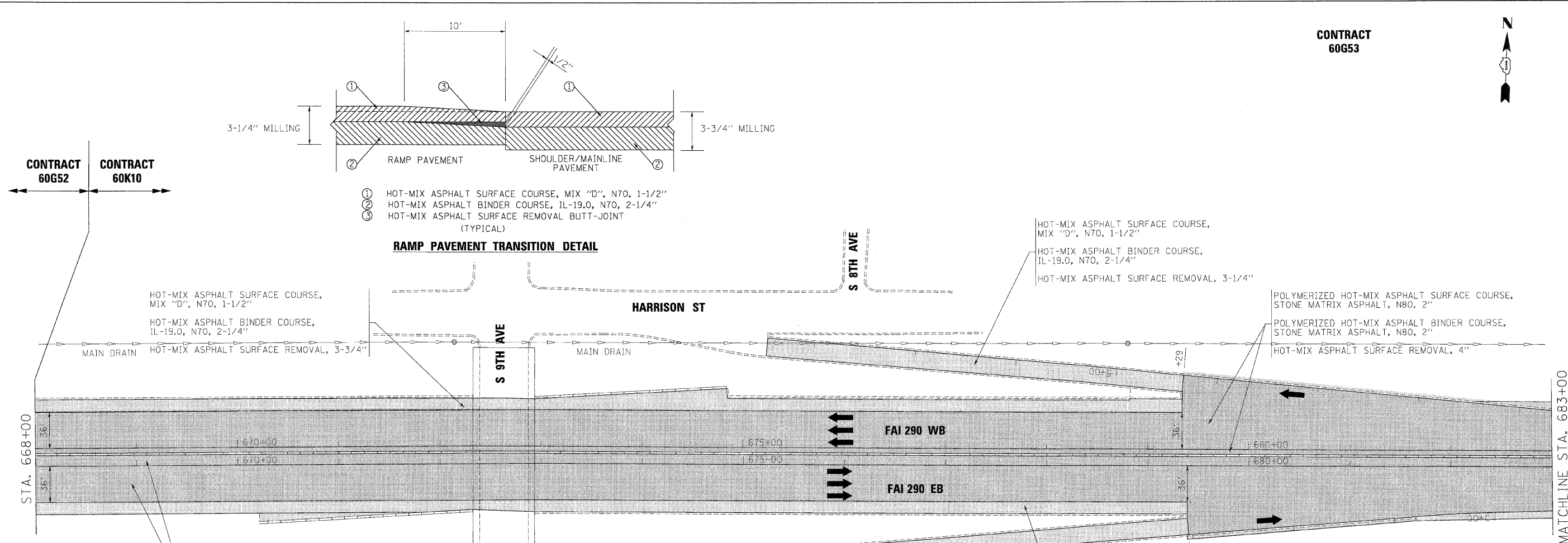


CONTRACT
60G53



RAMP PAVEMENT TRANSITION DETAIL

HOT-MIX ASPHALT SURFACE COURSE, MIX "D", N70, 1-1/2"
HOT-MIX ASPHALT BINDER COURSE, IL-19.0, N70, 2-1/4"
HOT-MIX ASPHALT SURFACE REMOVAL, 3-3/4"

HOT-MIX ASPHALT SURFACE COURSE, MIX "D", N70, 1-1/2"
HOT-MIX ASPHALT BINDER COURSE, IL-19.0, N70, 2-1/4"
HOT-MIX ASPHALT SURFACE REMOVAL, 3-1/4"

POLYMERIZED HOT-MIX ASPHALT SURFACE COURSE, STONE MATRIX ASPHALT, N80, 2"
POLYMERIZED HOT-MIX ASPHALT BINDER COURSE, STONE MATRIX ASPHALT, N80, 2"
HOT-MIX ASPHALT SURFACE REMOVAL, 4"

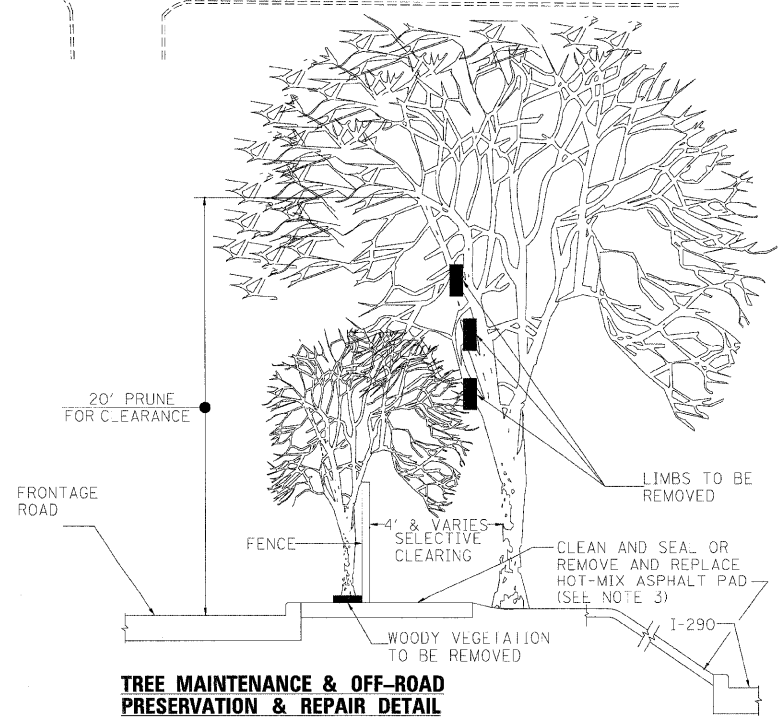
POLYMERIZED HOT-MIX ASPHALT SURFACE COURSE, STONE MATRIX ASPHALT, N80, 2"
POLYMERIZED HOT-MIX ASPHALT BINDER COURSE, STONE MATRIX ASPHALT, N80, 2"
HOT-MIX ASPHALT SURFACE REMOVAL, 4"

HOT-MIX ASPHALT SURFACE COURSE, MIX "D", N70, 1-1/2"
HOT-MIX ASPHALT BINDER COURSE, IL-19.0, N70, 2-1/4"
HOT-MIX ASPHALT SURFACE REMOVAL, 3-3/4"

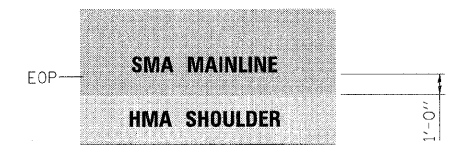
HOT-MIX ASPHALT SURFACE COURSE, MIX "D", N70, 1-1/2"
HOT-MIX ASPHALT BINDER COURSE, IL-19.0, N70, 2-1/4"
HOT-MIX ASPHALT SURFACE REMOVAL, 3-1/4"

NOTES:

1. THE NATIONAL ARBORIST ASSOCIATION'S PRUNING STANDARDS FOR SHADE TREES CLASS II - STANDARD PRUNING SPECIFICATIONS SHALL BE FOLLOWED.
 2. ALL TREES AND SHRUBS OR OTHER WOODY VEGETATION GROWING IN THE FENCE LINE AND ON THE FRONTAGE ROAD SIDE OF THE FENCE SHALL BE CUT FLUSH WITH THE GROUND AND THE STUMPS TREATED WITH A HERBICIDE TO PREVENT RESPROUTING.
 3. CLEAN AND SEAL HOT-MIX ASPHALT PAD SHALL BE PAID FOR AS ASPHALTIC EMULSION SLURRY SEAL, FIBER ASPHALT AND BITUMINOUS MATERIALS (PRIME COAT). REMOVE AND REPLACE HOT-MIX ASPHALT PAD SHALL BE PAID FOR AS PAVED SHOULDER REMOVAL (SPECIAL) AND INCIDENTAL HOT-MIX ASPHALT SURFACING (SPECIAL).
- TYPICAL APPLICATIONS OF THIS WORK INCLUDE, BUT ARE NOT LIMITED TO, ALL HOT-MIX ASPHALT PADS AT FENCING ALONG FRONTAGE ROADS, ALL HOT-MIX ASPHALT SIDE SLOPES AT EXIT AND ENTRANCE RAMPS AND BRIDGE APPROACHES, AND ALL HOT-MIX ASPHALT PADS AT ENDS OF BARRIER TERMINAL WALLS. FOR LOCATIONS AND EXTENT OF WORK, THE CONTRACTOR SHALL COORDINATE WITH THE ENGINEER AND CONTACT RICK WANNER, ROADSIDE DEVELOPMENT ARCHITECT, IDOT ROADSIDE DEVELOPMENT UNIT, AT (847) 705-4172 AT LEAST 72 HOURS PRIOR TO STARTING WORK. THE PAD SHALL BE 4" THICK.



TREE MAINTENANCE & OFF-ROAD PRESERVATION & REPAIR DETAIL



NOTE:

MAINLINE PAVING TO EXTEND 1' ONTO HMA SHOULDERS. SEE TYPICAL SECTIONS.

FILE NAME =	DESIGNED - AJP	REVISED -
...:\orpln\ABC.C2.290.pln.19.dgn	DRAWN - TMG	REVISED -
USER NAME = tbi:enk	CHECKED - JMM	REVISED -
PLOT DATE = 1/23/2010	DATE - 1/25/10	REVISED -

benesch

**STATE OF ILLINOIS
DEPARTMENT OF TRANSPORTATION**

ROADWAY PLAN	
I-290 MAINLINE POB TO STA 683+00	
SCALE: 1"=50'	SHEET NO. 1 OF 14 SHEETS
STA.	TO STA.

F.A.I. RTE.	SECTION	COUNTY	TOTAL SHEETS	SHEET NO.
290	(3131, ETC., 3435)RS-6	COOK	215	41
FED. ROAD DIST. NO.		ILLINOIS FED. AID PROJECT		