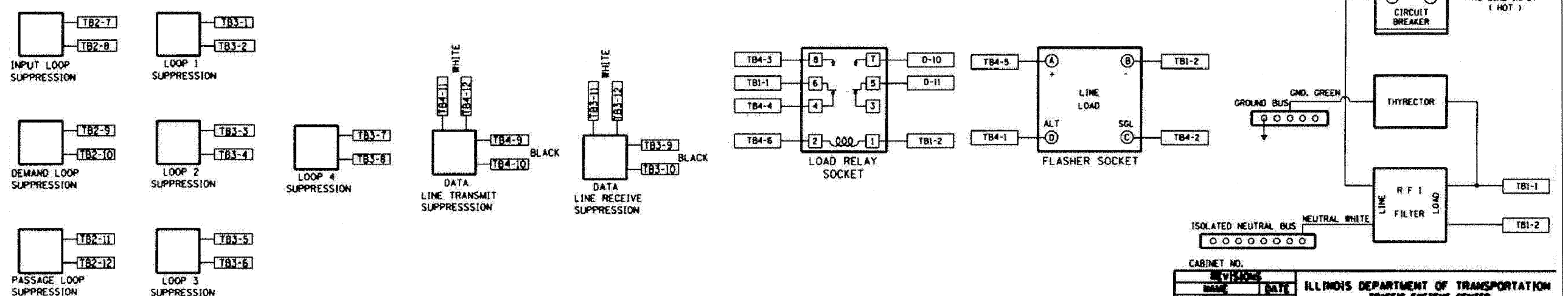
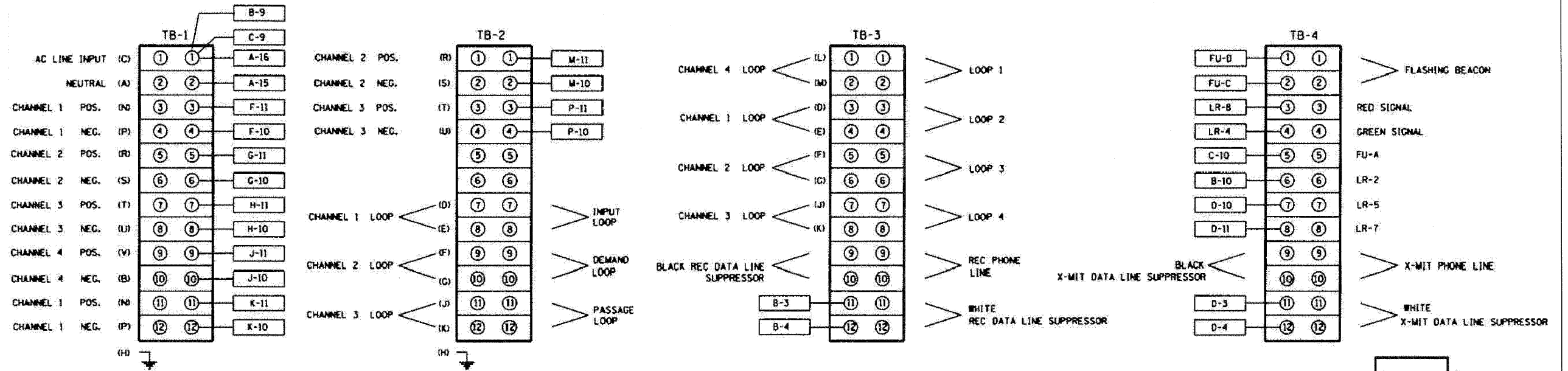
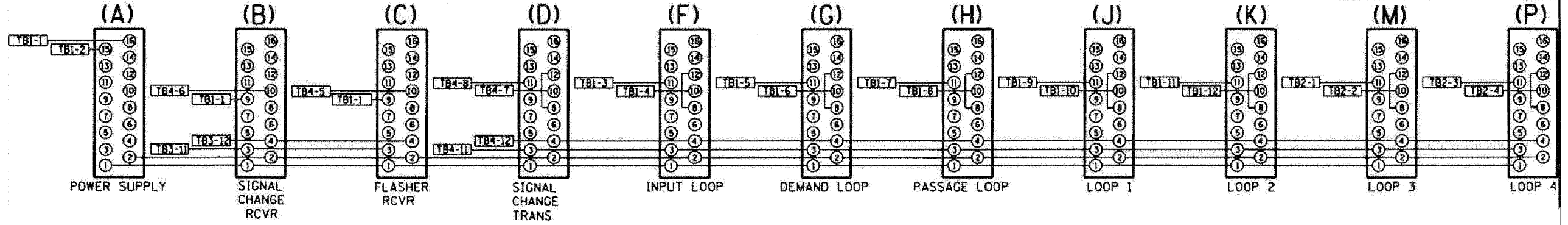


# BACK VIEW OF TONE RACK

F.A.I. RTE.	SECTION	COUNTY	TOTAL SHEETS	SHEET NO.
STA.	TO STA.			
FED. ROAD DIST. NO.	ILLINOIS FED. AID PROJECT			



CABINET NO.		REVISED	
DATE	DATE	DATE	DATE
T.C.	6/94		
R.L.	3/95		
R.L.	3/99		

ILLINOIS DEPARTMENT OF TRANSPORTATION  
TRAFFIC SYSTEMS CENTER  
**METERING CABINET  
WIRING DIAGRAM**  
SCALE: VERT. NONE HORIZ. NONE  
DATE 6/21/94  
DRAWN BY: C.K.  
CHECKED BY: T.C.

## TRAFFIC SYSTEMS CENTER (TY-1TSC-400#8)

FILE NAME =	DESIGNED - GHT	REVISED -
...npr\in_abc_c2_ts_det_05.dgn	DRAWN - TMB	REVISED -
USER NAME = tblank	CHECKED - MPM	REVISED -
PLOT DATE = 1/25/2010	DATE - 1/25/10	REVISED -

**benesch**

STATE OF ILLINOIS  
DEPARTMENT OF TRANSPORTATION

TRAFFIC SYSTEMS CENTER  
DETAIL SHEETS

SCALE: N.T.S. SHEET NO. 5 OF 17 SHEETS STA. TO STA.

F.A.I. RTE.	SECTION	COUNTY	TOTAL SHEETS	SHEET NO.
290	(313), ETC., 3435/RS-6	COOK	215	187
FED. ROAD DIST. NO.			ILLINOIS FED. AID PROJECT	