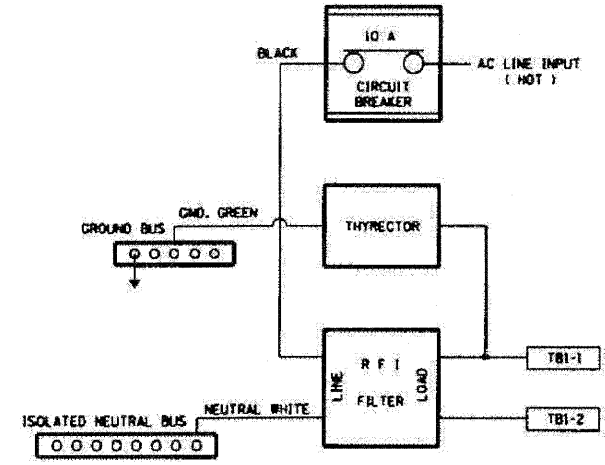
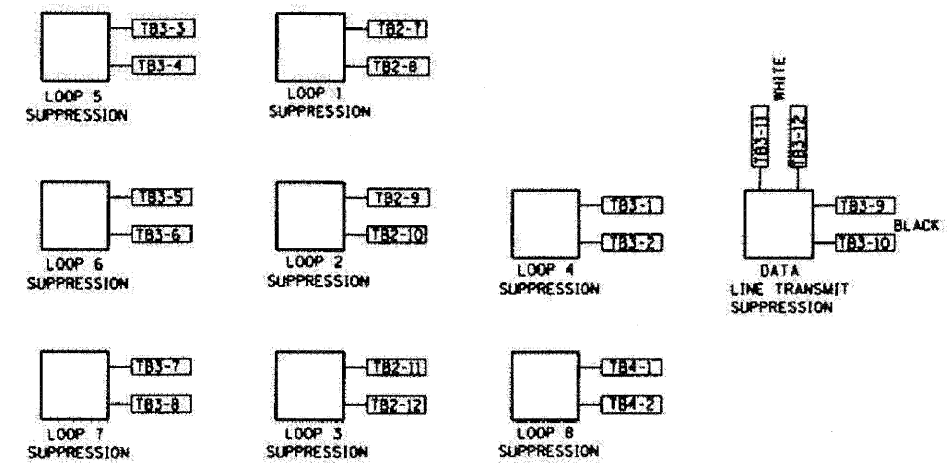
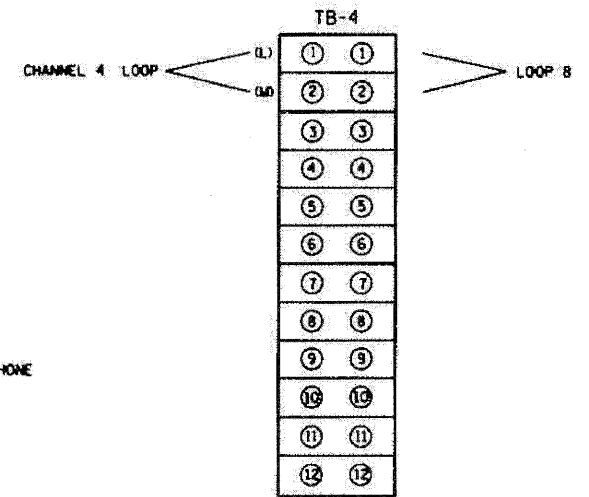
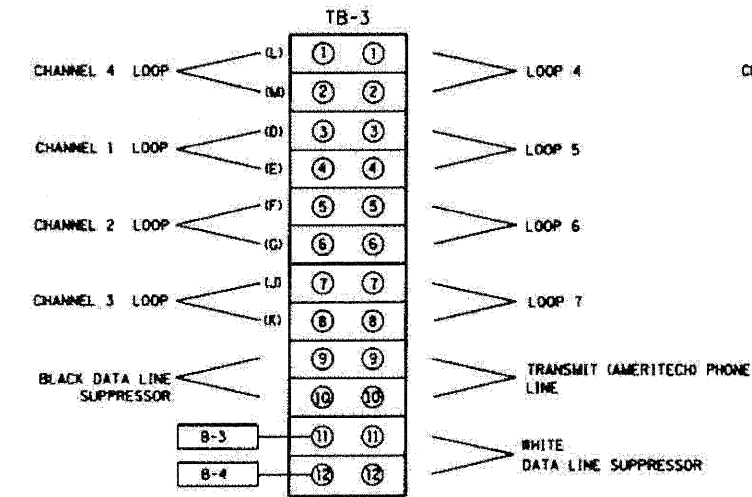
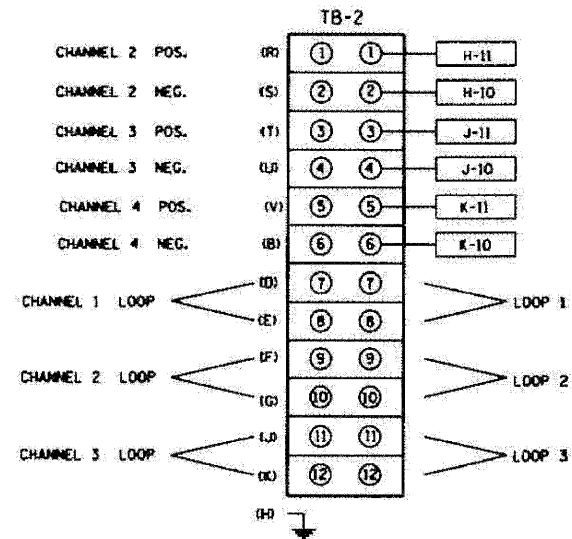
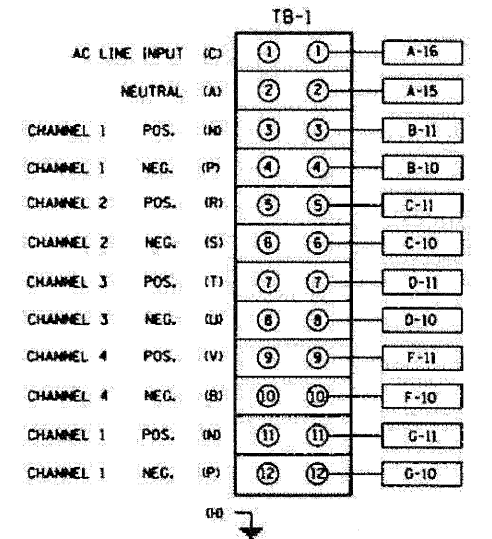
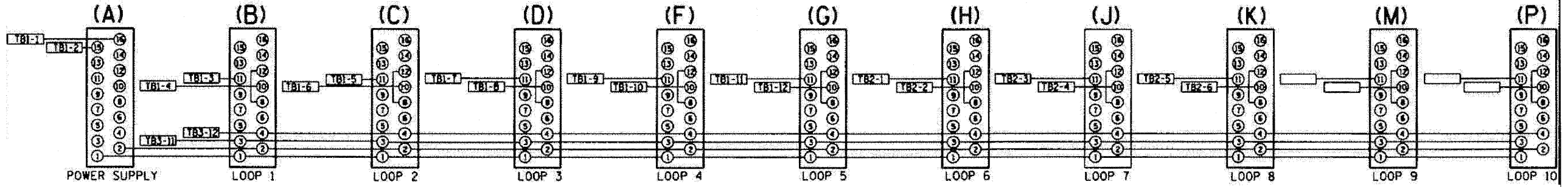


F.A.I. RTE.	SECTION	COUNTY	TOTAL SHEETS	SHEET NO.
STA.	TO STA.			
FED. ROAD DIST. NO.	ILLINOIS FED. AID PROJECT			

BACK VIEW OF TONE RACK



CABINET NO.		ILLINOIS DEPARTMENT OF TRANSPORTATION TRAFFIC SYSTEMS CENTER	
TYPE 3 CABINET WIRING DIAGRAM		SCALE: VERT. NONE DATE: 10/17/05	
DRAWN BY: G.M.		CHECKED BY: R.L.	

TRAFFIC SYSTEMS CENTER (TY-1TSC-400#13)

FILE NAME -	DESIGNED - GHT	REVISED -
USER NAME - tblank	DRAWN - TMB	REVISED -
PLOT DATE - 1/25/2010	CHECKED - MPM	REVISED -
	DATE - 1/25/10	REVISED -

benesch

STATE OF ILLINOIS
DEPARTMENT OF TRANSPORTATION

TRAFFIC SYSTEMS CENTER DETAIL SHEETS		F.A.I. RTE.	SECTION	COUNTY	TOTAL SHEETS	SHEET NO.
SCALE: N.T.S.	SHEET NO. 6 OF 17 SHEETS	290	(3131, ETC., 3435)RS-6	COOK	215	188
		STA. TO STA.		CONTRACT NO. 60K10		
		FED. ROAD DIST. NO.		ILLINOIS FED. AID PROJECT		