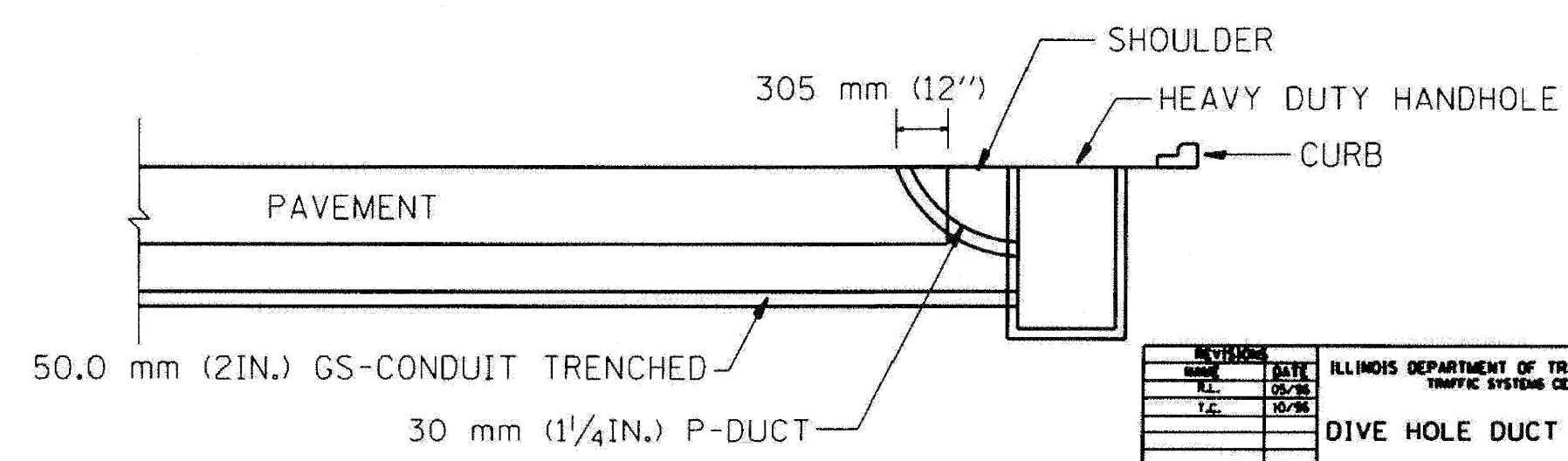
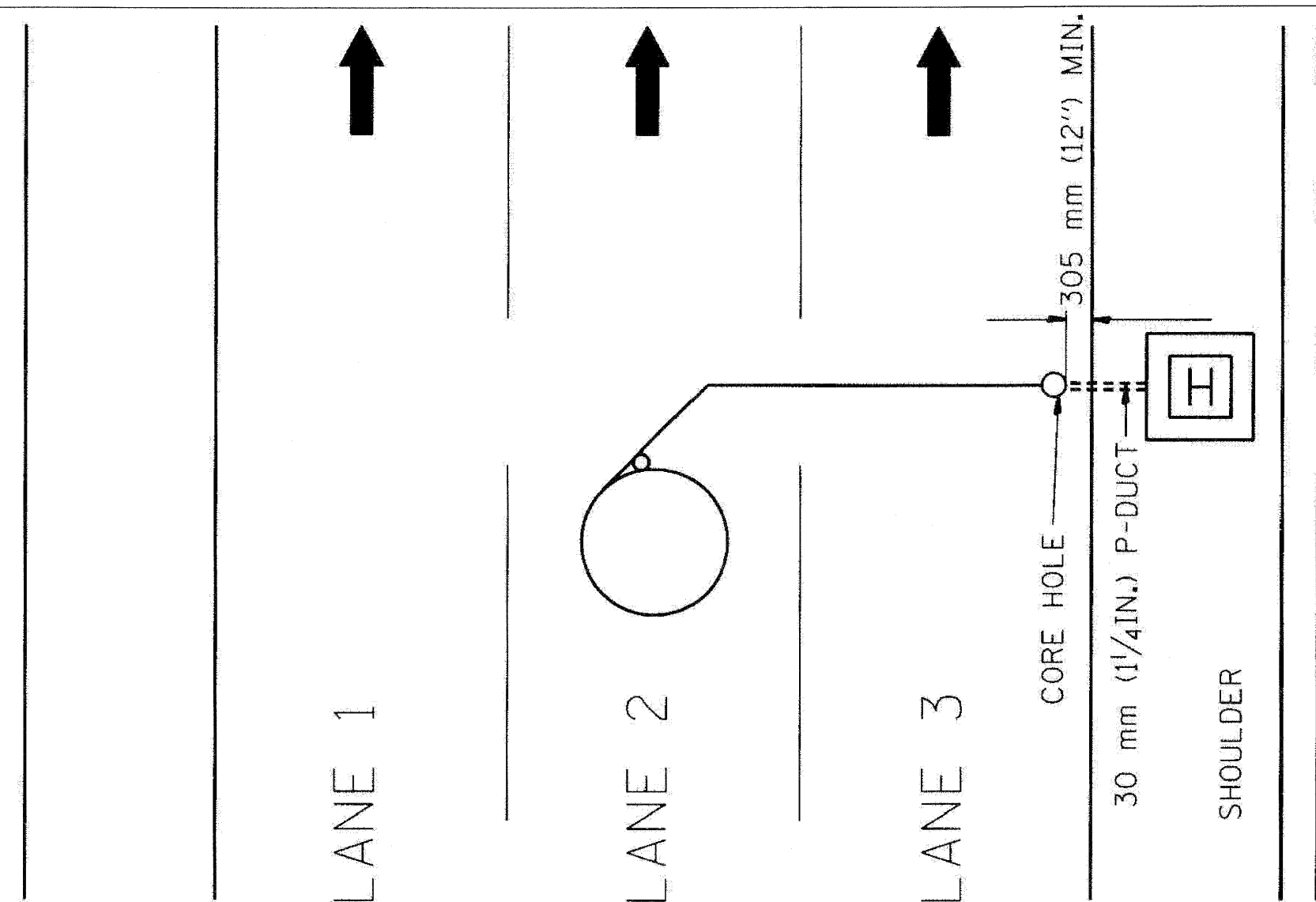


F.A.I. RTE.	SECTION	COUNTY	TOTAL SHEETS	SHEET NO.
STA.	TO STA.			
FED. ROAD DIST. NO.	ILLINOIS FED. AID PROJECT			



REVISION	DATE
DATE	05/98
R.I.	10/98
T.C.	

ILLINOIS DEPARTMENT OF TRANSPORTATION  
TRAFFIC SYSTEMS CENTER

**DIVE HOLE DUCT SYSTEM**

SCALE: VERT. NONE  
DATE 11/7/95

DRAWN BY G.M.  
CHECKED BY R.L.

**TRAFFIC SYSTEMS CENTER (TY-1TSC-418\*8)**

FILE NAME =	DESIGNED - GHT	REVISED -
...\\prpln-abc.c2.ts.det.13.dgn	DRAWN - TMB	REVISED -
USER NAME = tblank	CHECKED - MPM	REVISED -
PLOT DATE = 1/25/2010	DATE - 1/25/10	REVISED -

**benesch**

STATE OF ILLINOIS  
DEPARTMENT OF TRANSPORTATION

TRAFFIC SYSTEMS CENTER DETAIL SHEETS	
SCALE: N.T.S.	SHEET NO. 13 OF 17 SHEETS
STA.	TO STA.

F.A.I. RTE.	SECTION	COUNTY	TOTAL SHEETS	SHEET NO.
290	(3131, ETC., 3435)RS-6	COOK	215	195
FED. ROAD DIST. NO.	ILLINOIS FED. AID PROJECT			