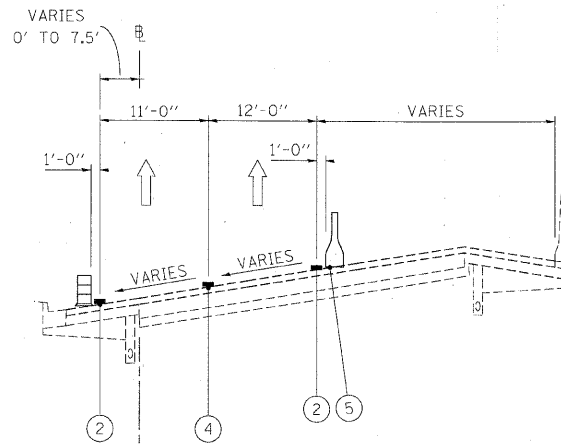
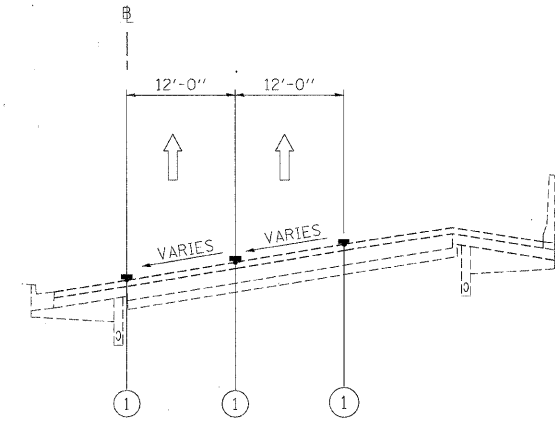


EASTBOUND
MAINTENANCE OF TRAFFIC
TYPICAL SECTION
 STAGE 1
 STA 484+51 TO STA 487+29

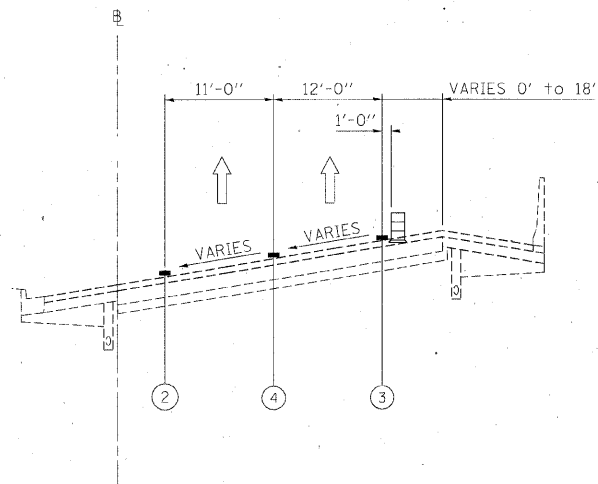


EASTBOUND
MAINTENANCE OF TRAFFIC
TYPICAL SECTION
 STAGE 1
 STA 487+29 TO STA 498+00

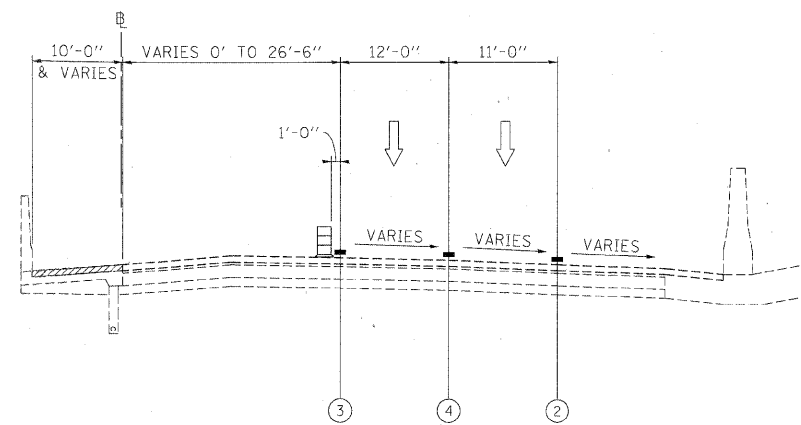
BRIDGE OMISSION STA 490+47 TO STA 494+41



EASTBOUND
MAINTENANCE OF TRAFFIC
TYPICAL SECTION
 STAGE 1
 STA 498+00 TO STA 501+88



EASTBOUND
MAINTENANCE OF TRAFFIC
TYPICAL SECTION
 STAGE 1
 STA 501+88 TO STA 507+22



WESTBOUND
MAINTENANCE OF TRAFFIC
TYPICAL SECTION
 STAGE 1
 STA 498+53 TO STA 506+83

LEGEND

- ① EXISTING PAVEMENT MARKING
- ② WET REFLECTIVE TEMPORARY TAPE, - TYPE III, 4 INCH (YELLOW)
- ③ WET REFLECTIVE TEMPORARY TAPE, - TYPE III, 4 INCH (WHITE)
- ④ WET REFLECTIVE TEMPORARY TAPE, - TYPE III, 5 INCH (WHITE)
- ⑤ TEMPORARY PAVEMENT MARKING - LINE 6" (YELLOW) (ON BARRIER)
- ⑥ TEMPORARY PAVEMENT MARKING - LINE 6" (WHITE) (ON BARRIER)
- ⑦ WET REFLECTIVE TEMPORARY TAPE - TYPE III, 8 INCH (WHITE)
- TEMPORARY CONCRETE BARRIER
- TYPE II BARRIER, DRUM, OR VERTICAL BARRICADE WITH STEADY BURN MONODIRECTIONAL LIGHT
- WORK ZONE

FILE NAME =	DESIGNED - AJP	REVISED -
...xprpin_ABC.C2.m1.mot.tsp.st.1.01.dgn	DRAWN - TMB	REVISED -
USER NAME = tblank	CHECKED - JJT	REVISED -
PLOT DATE = 1/25/2010	DATE - 1/25/10	REVISED -

benesch

STATE OF ILLINOIS
DEPARTMENT OF TRANSPORTATION

MAINTENANCE OF TRAFFIC
TYPICAL SECTION - STAGE 1

SCALE: SHEET NO. 6 OF 62 SHEETS STA. TO STA.

F.A.I. RTE.	SECTION	COUNTY	TOTAL SHEETS	SHEET NO.
290	(3435, ETC., 3838)RS-5	COOK	264	70
FED. ROAD DIST. NO.			ILLINOIS FED. AID PROJECT	
			CONTRACT NO. 60652	