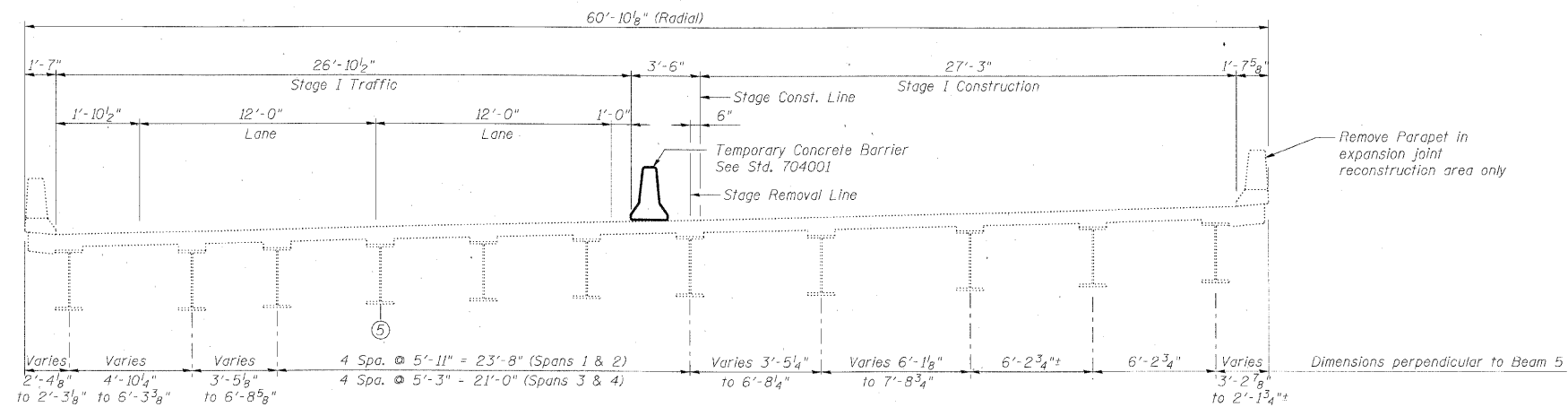
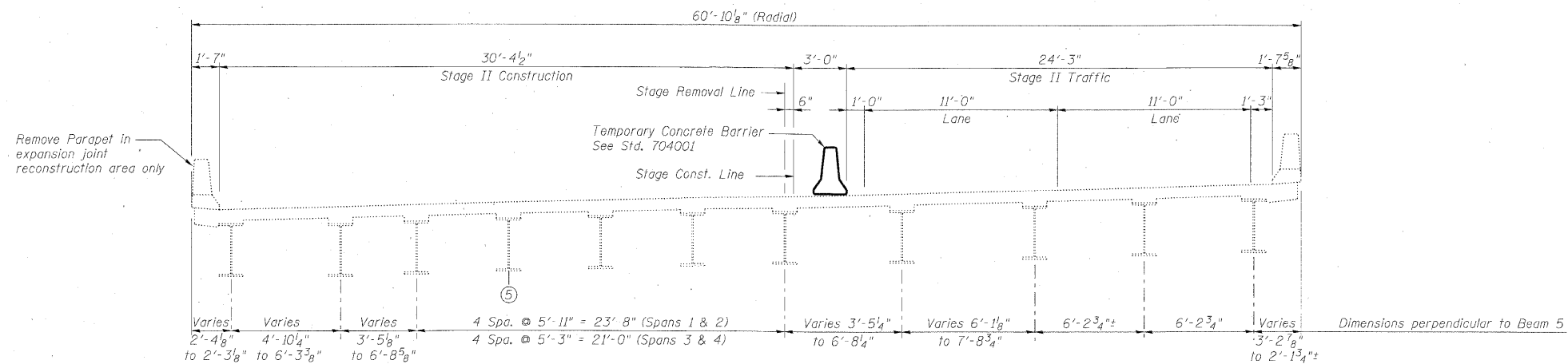


STATE OF ILLINOIS
DEPARTMENT OF TRANSPORTATION



STAGE I CROSS SECTION
(Looking East)



STAGE II CROSS SECTION
(Looking East)

Note:

For quantity of Temporary Concrete Barrier, see roadway plans.

DESIGNED	MFB
CHECKED	MAC
DRAWN	VH
CHECKED	AAY

STAGE CONSTRUCTION DETAILS
STRUCTURE NO. 016-0085

benesch

alfred benesch & company
Engineers • Surveyors • Planners
205 North Michigan Avenue, Suite 2400
Chicago, Illinois 60601
312-566-0450 Job No. 10050

SHEET NO. 3	F.A.I. RTE.	SECTION	COUNTY	TOTAL SHEETS	SHEET NO.
	290	(3435, ETC., 3838)RS-5	COOK	264	203
9 SHEETS	CONTRACT NO. 60G52				
FED. ROAD DIST. NO.		ILLINOIS	FED. AID PROJECT		