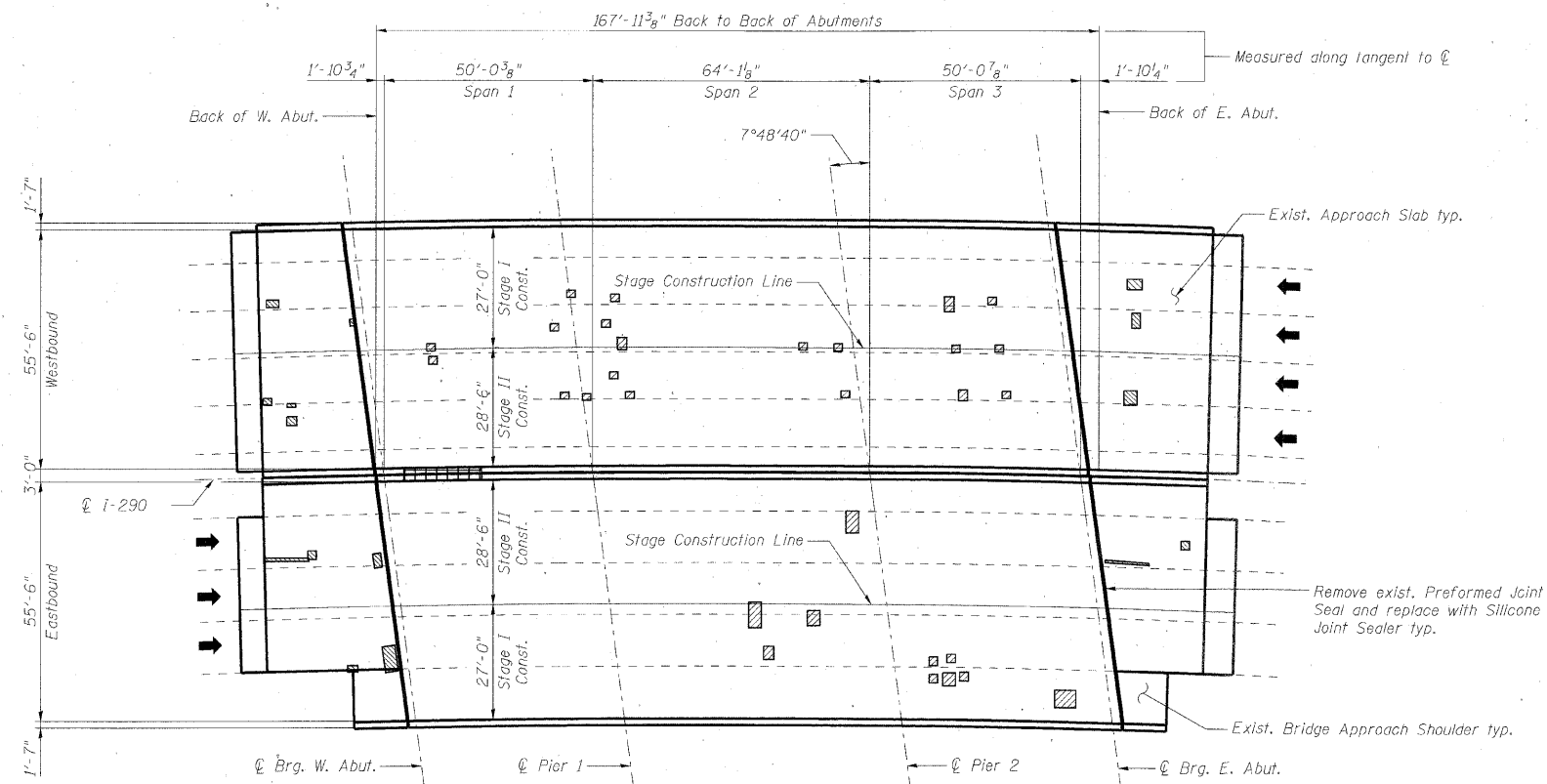
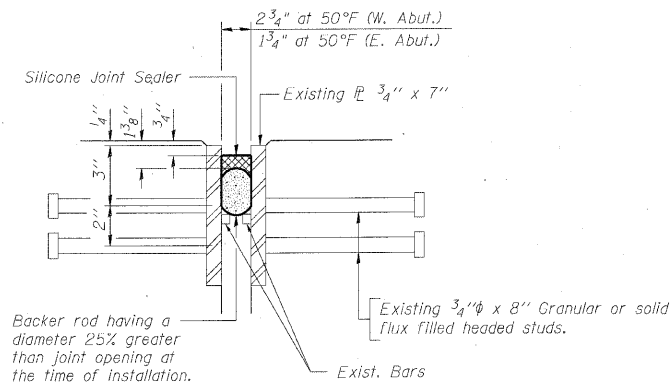


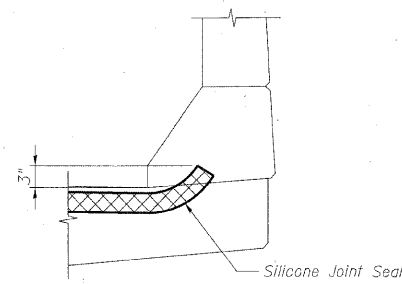
STATE OF ILLINOIS
DEPARTMENT OF TRANSPORTATION



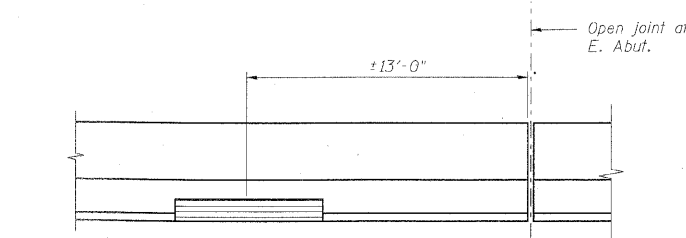
PLAN



SILICONE JOINT SEALER DETAIL

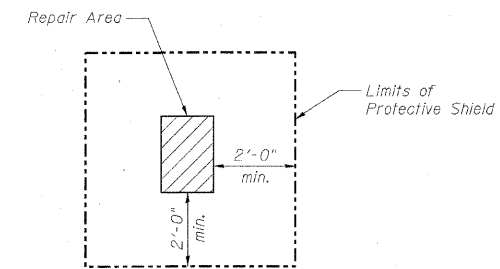


SILICONE JOINT SEAL TREATMENT AT PARAPET



INSIDE ELEVATION - EASTBOUND MEDIAN PARAPET

PROTECTIVE SHIELD DETAIL



BILL OF MATERIAL

Symbol	Item	Unit	Quantity
	Deck Slab Repair (Partial)	Sq. Yd.	38.3
	Approach Slab Repair (Partial Depth)	Sq. Yd.	20.6
	Structural Repair of Concrete (Depth Greater Than 5 Inches)	Sq. Ft.	10
	Cleaning & Painting Exposed Rebar (Special)	Sq. Ft.	10
	Protective Shield	Sq. Yd.	127
	Silicone Joint Sealer	Foot	237.0

Notes:

- Deck and approach slab repair areas are estimated based on visual inspection completed in June 2009. Actual repair areas and locations shall be determined by the Engineer and shown on As-Built plans.
- Protective Shield, required for deck slab and/or parapet repairs, shall be installed according to Article 501.03 of the Standard Specifications. For limits of Protective Shield, see Protective Shield Detail on this sheet and Elevation on General Plan and Elevation sheet.
- The Engineer shall determine extent, location & type of parapet repairs in the field. Actual repair areas and locations shall be determined by the Engineer and shown on As-Built plans.
- Existing Preformed Joint Seal shall be removed and all surfaces cleaned prior to installation of Silicone Joint Sealer. Cost included in Silicone Joint Sealer.
- The Contractor shall exercise extreme care with the existing conduit in sections of the parapet to be repaired and to protect and support the conduit. The Contractor will be required to repair any damage done to the conduit to the satisfaction of the Engineer. No splicing will be allowed to any cable damage resulting from this work, instead the Contractor will be required to repair the entire span of any damaged cable at no additional cost to the Department.

**BRIDGE DECK,
APPROACH SLAB AND PARAPET REPAIRS
STRUCTURE NO. 016-0086**

DESIGNED	DMS
CHECKED	EFS
DRAWN	RMG
CHECKED	KWS

benesch
alfred benesch & company
Engineers • Surveyors • Planners
205 North Michigan Avenue, Suite 2400
Chicago, Illinois 60601
312-565-0450 Job No. 10050

SHEET NO. 4 4 SHEETS	F.A.I. RTE.	SECTION	COUNTY	TOTAL SHEETS	SHEET NO.
	290	(3435, ETC., 3838)RS-5	COOK	264	213
FED. ROAD DIST. NO.			ILLINOIS	FED. AID PROJECT	
CONTRACT NO. 60G52					