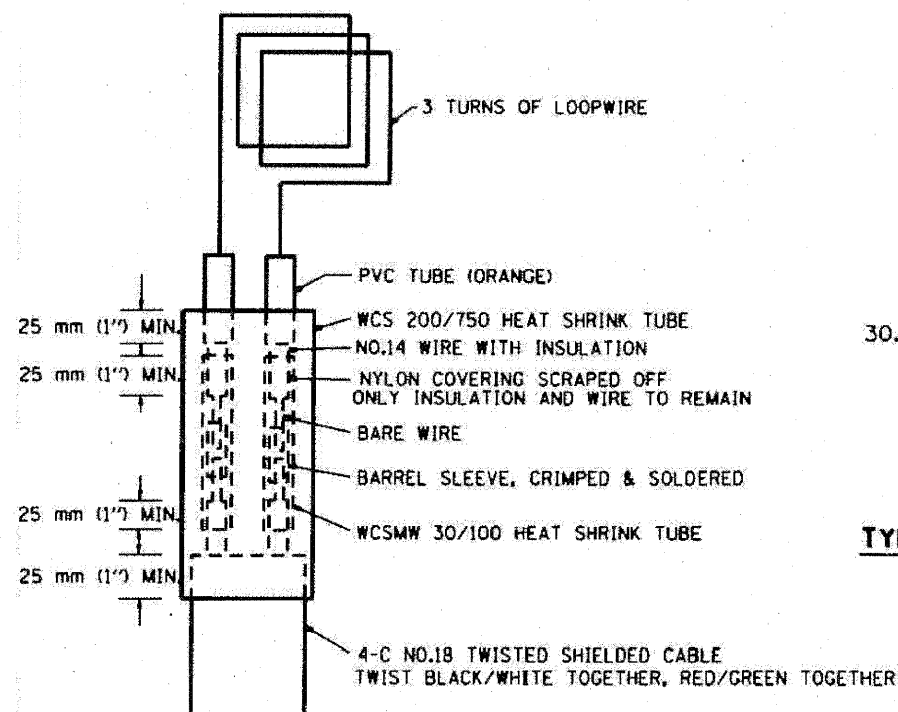


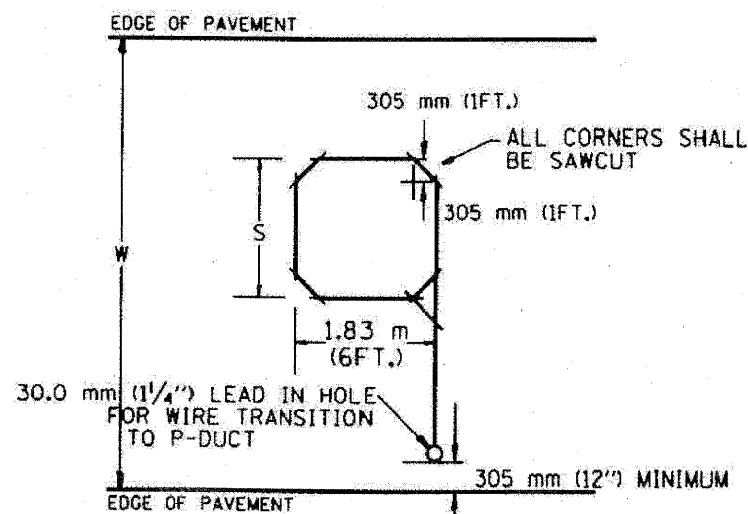
F.A. RTE.	SECTION	COUNTY	TOTAL SHEET NO.
STA.	TO STA.		
FED. ROAD DIST. NO.	ILLINOIS FED. AID PROJECT		



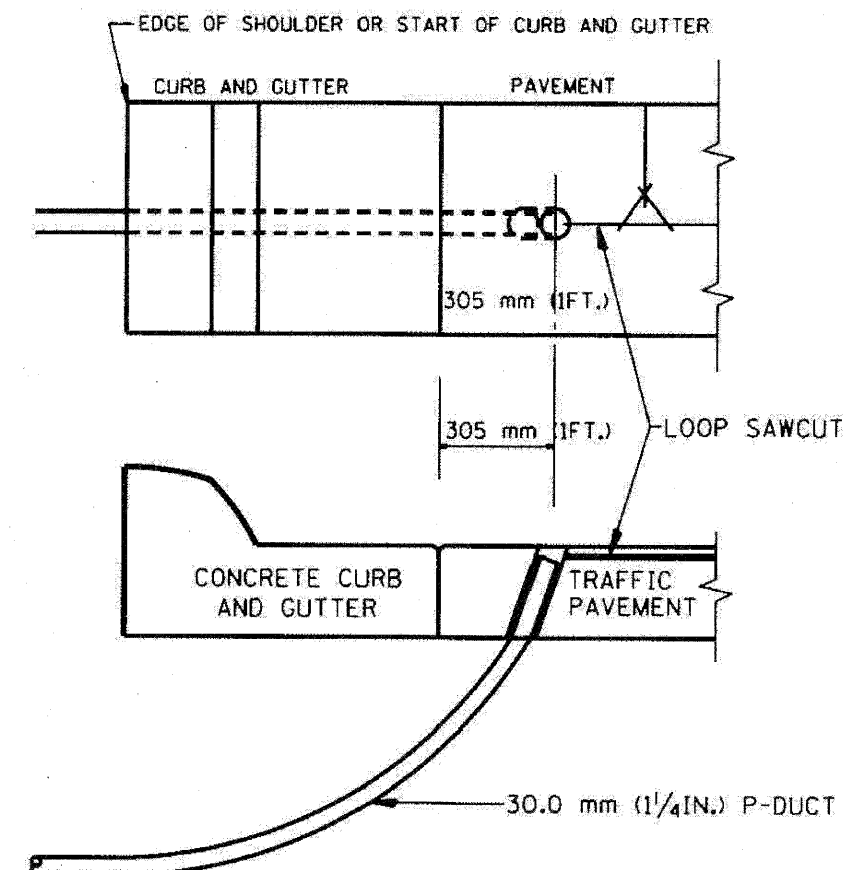
MINIMUM 25 mm (1") HEAT SHRINK TUBING OVERLAP ON WIRE, PVC & SHIELDED CABLE TO FORM WATER TIGHT SEAL

**LOOP SPLICING REQUIREMENTS**

WIDTH (W)	WIDTH (S)
3.7 m (12')	2.5 m (8')
4.0 m (13')	2.8 m (9')
4.3 m (14')	3.1 m (10')
4.6 m (15')	3.4 m (11')
4.9 m (16')	3.7 m (12')
5.2 m (17')	4.0 m (13')
5.5 m (18')	4.3 m (14')
5.8 m (19')	4.6 m (15')
6.1 m (20')	4.9 m (16')
6.4 m (21')	5.2 m (17')
6.7 m (22')	5.5 m (18')
7.0 m (23')	5.8 m (19')
7.3 m (24')	6.1 m (20')
7.6 m (25')	6.4 m (21')



**TYPICAL "S" FT. BY 1.83 m (6FT.) INDUCTION LOOP SAWCUT LAYOUT FOR RAMP**



**CURB AND GUTTER LOOP LEAD-IN TRANSITION DETAIL**

**NOTES**

1. EACH LOOP SHALL BE SPLICED TO A 4-C NO.18 TWISTED SHIELDED LEAD IN WHEN 45 m (150FT.) OR MORE FROM CABINET.
2. LOOPS SHALL BE SPLICED IN HANDHOLES ONLY, OTHERWISE WRITTEN PERMISSION SHALL BE OBTAINED FROM TSC ENGINEER.
3. LOOPS SHALL NOT BE SPLICED IN SERIES.
4. EACH LOOP LEAD IN SHALL BE IDENTIFIED AND PERMANENTLY COLOR CODED IN THE COREHOLE, HANDHOLE & CABINETS THRU WHICH THEY ENTER OR PASS AND TAGGED WITH THE CORRECT NOMENCLATURES.

REVISIONS		ILLINOIS DEPARTMENT OF TRANSPORTATION TRAFFIC SYSTEMS CENTER
NO.	DATE	
1.	6/94	RECTANGULAR INDUCTION LOOP TYPICAL
2.	11/95	
3.	05/96	
4.	10/96	
SCALE: VERT. NONE HORIZ. NONE		DATE 6-22-94
DRAWN BY: C.A.		CHECKED BY: R.L.

**TRAFFIC SYSTEMS CENTER (TY-1TSC-418\*3)**

FILE NAME =	DESIGNED - GHT	REVISED -
...\\ppln_abc_c2_ts_det_11.dgn	DRAWN - TMB	REVISED -
USER NAME = tblank	CHECKED - MPM	REVISED -
PLOT DATE = 1/25/2010	DATE - 1/25/10	REVISED -

**benesch**

**STATE OF ILLINOIS  
DEPARTMENT OF TRANSPORTATION**

**TRAFFIC SYSTEMS CENTER  
DETAIL SHEETS**

SCALE: N.T.S. SHEET NO. 11 OF 16 SHEETS STA. TO STA.

F.A. RTE.	SECTION	COUNTY	TOTAL SHEET NO.
290	13435, ETC., 383BRS-5	COOK	264 243
FED. ROAD DIST. NO.	ILLINOIS FED. AID PROJECT		

CONTRACT NO. 60G52