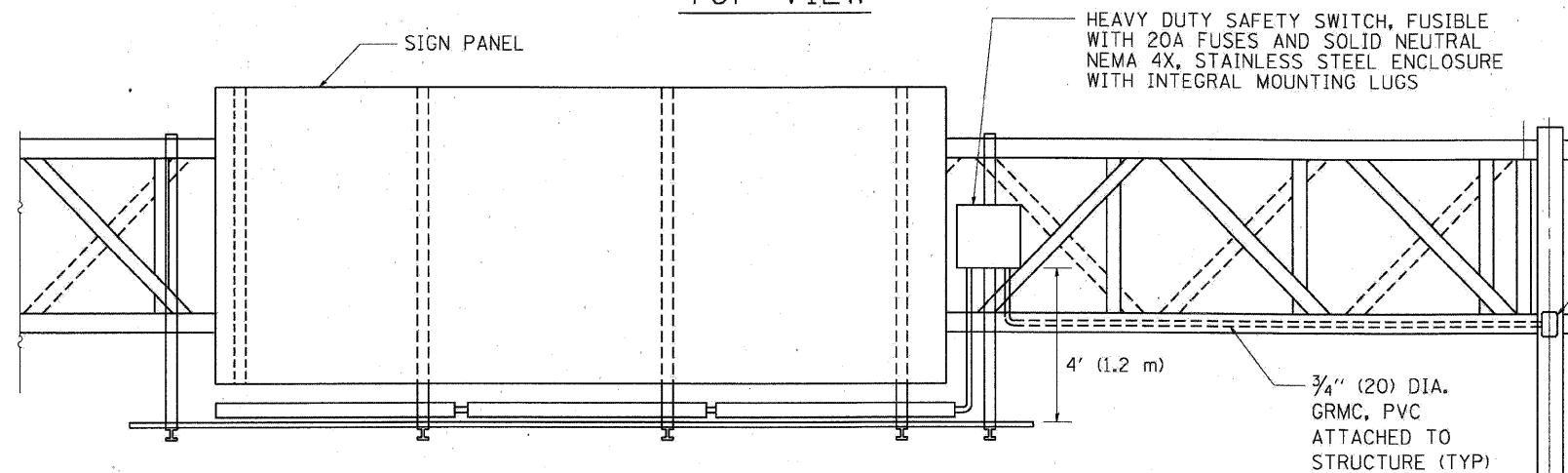
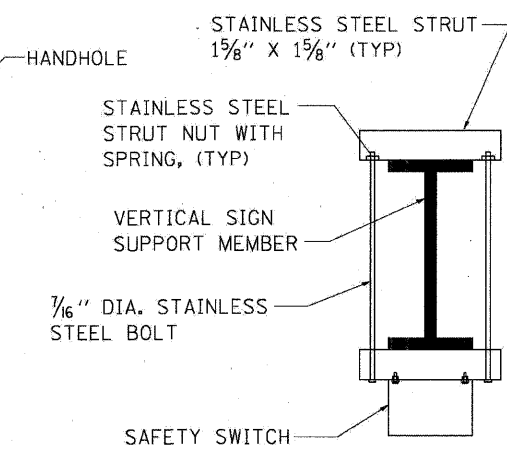
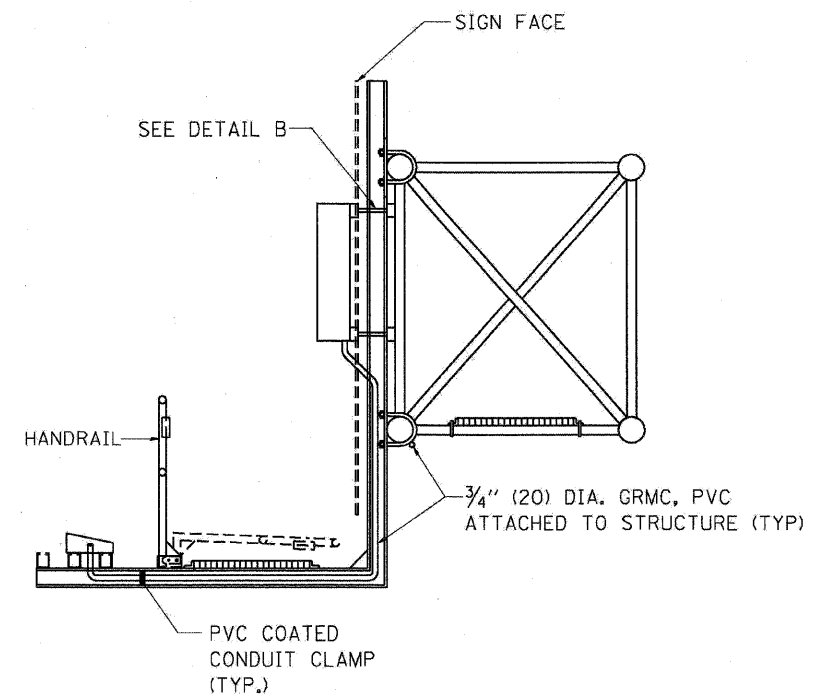


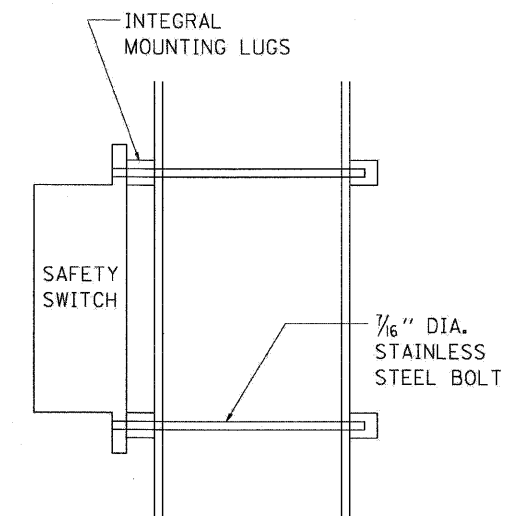
TOP VIEW



ELEVATION VIEW



TOP VIEW



SIDE VIEW

DETAIL B

BE-600

|                                |                |           |
|--------------------------------|----------------|-----------|
| FILE NAME =                    | DESIGNED - AJP | REVISED - |
| ...Vppln_ABC_C2_D1_BE-600B.dgn | DRAWN - TMB    | REVISED - |
| USER NAME = tblank             | CHECKED - JMM  | REVISED - |
| PL01 DA E = 1/25/2010          | DATE - 1/25/10 | REVISED - |

**benesch**

**STATE OF ILLINOIS  
DEPARTMENT OF TRANSPORTATION**

**ELECTRIC CONNECTION TO SIGN STRUCTURE SPAN TYPE**

SCALE: N.T.S. SHEET NO. 6 OF 16 SHEETS STA. TO STA.

| F.A.I. RTE.                                   | SECTION               | COUNTY | TOTAL SHEETS       | SHEET NO. |
|---|-----------------------|--------|--------------------|-----------|
| 290   | 13435, ETC., 3838RS-5 | COOK   | 264                | 254       |
| FED. ROAD DIST. NO. ILLINOIS FED. AID PROJECT |                       |        | CONTRACT NO. 60G52 |           |