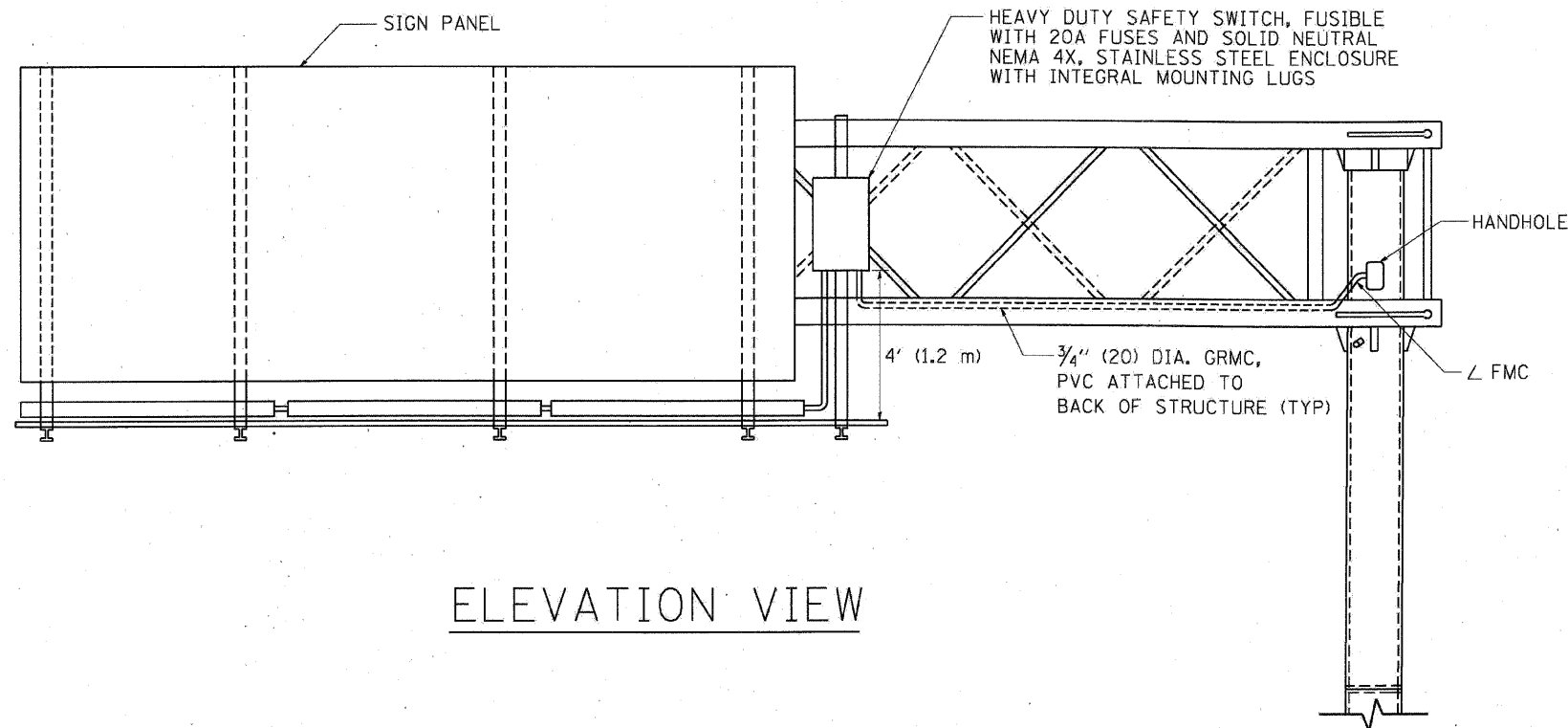
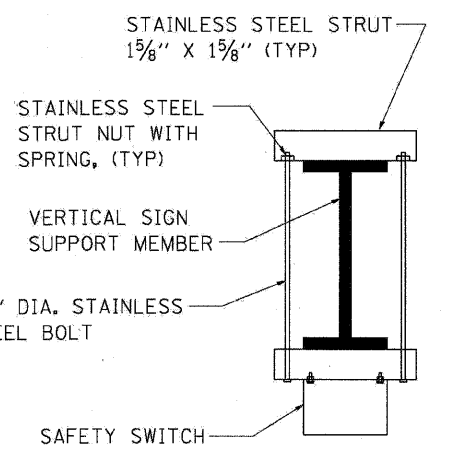
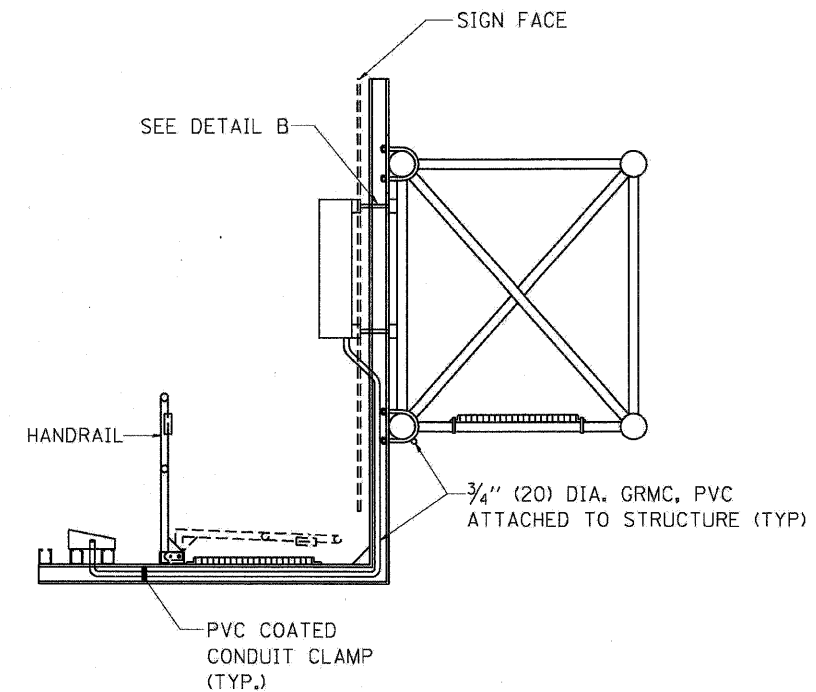


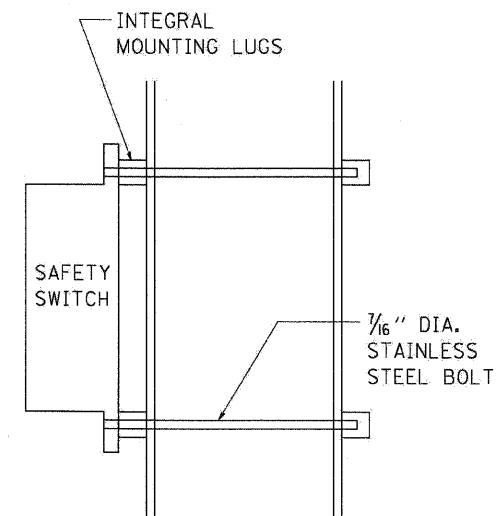
TOP VIEW



ELEVATION VIEW



TOP VIEW



SIDE VIEW

DETAIL B

BE-601

FILE NAME =	DESIGNED - AJP	REVISED -
...\\ppln_abc_c2_01_be-601b.dgn	DRAWN - TMB	REVISED -
USER NAME = tblank	CHECKED - JMM	REVISED -
PLOT DATE = 1/25/2010	DATE - 1/25/10	REVISED -

benesch

**STATE OF ILLINOIS
DEPARTMENT OF TRANSPORTATION**

ELECTRIC CONNECTION TO SIGN STRUCTURE CANTILEVER TYPE

SCALE: N.T.S. SHEET NO. 8 OF 16 SHEETS STA. TO STA.

F.A.I. RTEL.	SECTION	COUNTY	TOTAL SHEETS	SHEET NO.
290	(3435, ETC., 3838)RS-5	COOK	264	256
CONTRACT NO. 60G52				
FED. ROAD DIST. NO. ILLINOIS FED. AID PROJECT				