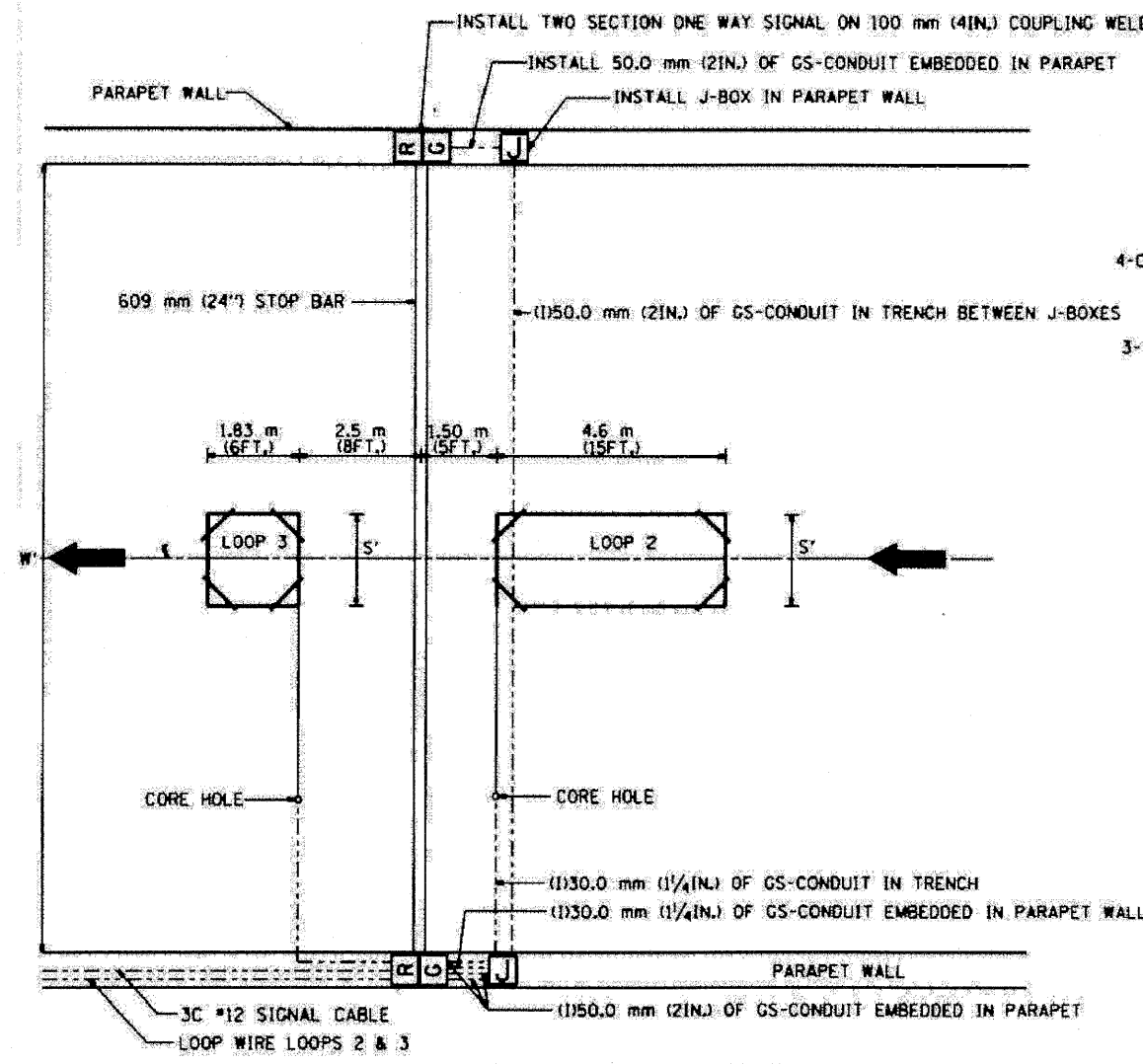
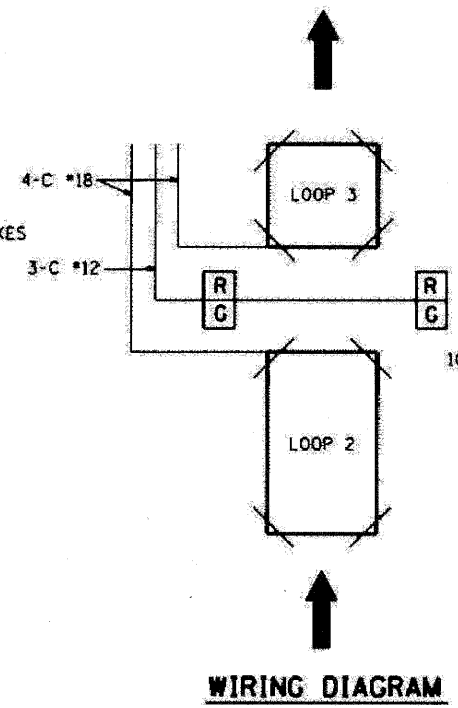


F.A.I. RTE.	SECTION	COUNTY	TOTAL SHEETS NO.	SHEET NO.
STA.	TO STA.			
FED. ROAD DIST. NO.	ILLINOIS FED. AID PROJECT			

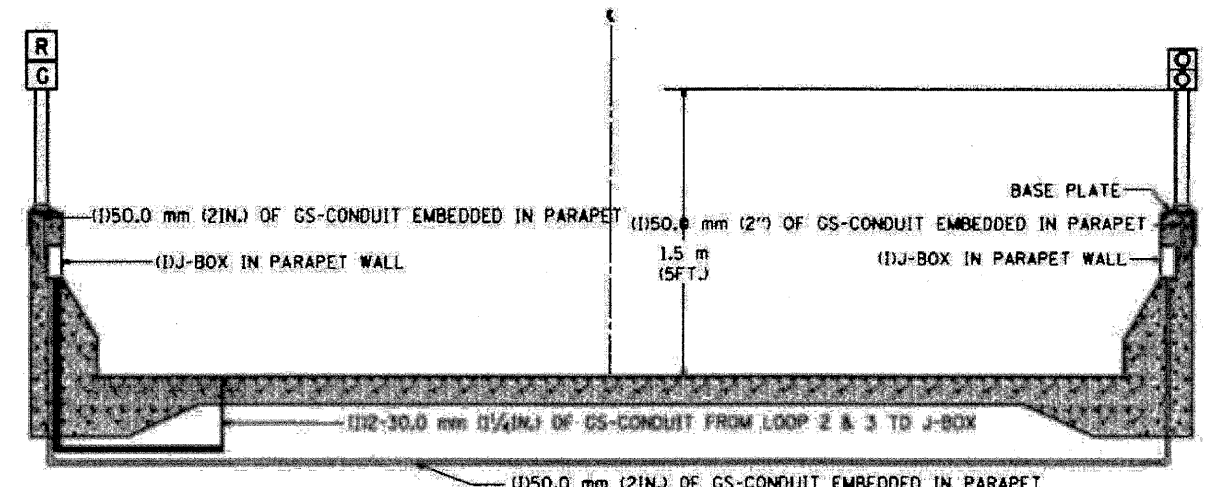


TYPICAL LOOP LAYOUT



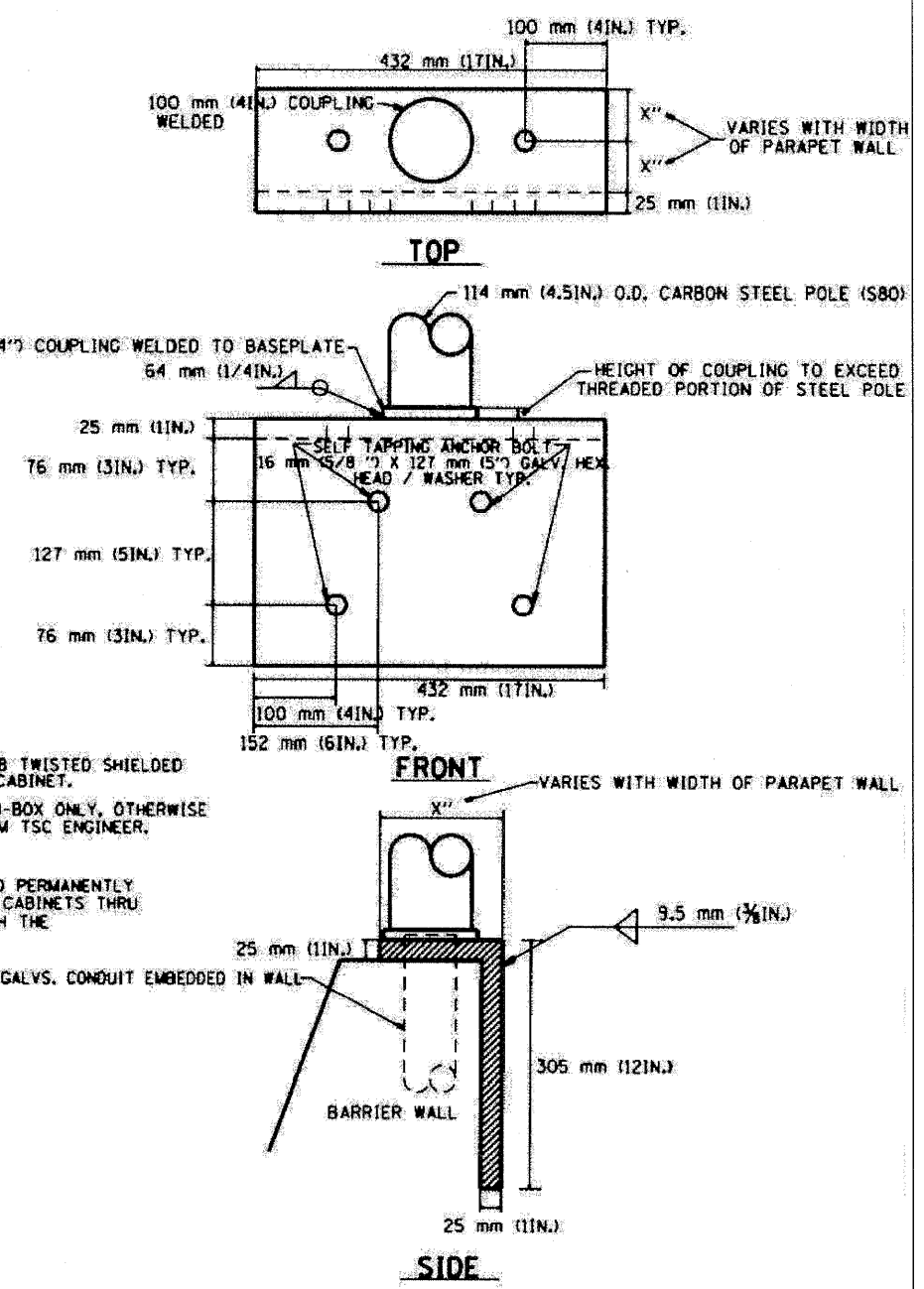
NOTES

1. EACH LOOP SHALL BE SPLICED TO A 4-C NO.18 TWISTED SHIELDED LEAD IN WHEN 45 m (150FT.) OR MORE FROM CABINET.
2. LOOPS SHALL BE SPLICED IN HANDHOLES OR J-BOX ONLY, OTHERWISE WRITTEN PERMISSION SHALL BE OBTAINED FROM TSC ENGINEER.
3. LOOPS SHALL NOT BE SPLICED IN SERIES.
4. EACH LOOP LEAD IN SHALL BE IDENTIFIED AND PERMANENTLY COLOR CODED IN THE COREHOLE, HANDHOLE & CABINETS THRU WHICH THEY ENTER OR PASS AND TAGGED WITH THE CORRECT NOMENCLATURES.



SECTION

WIDTH (W)	WIDTH (S)
3.7 m (12')	2.5 m (8')
4.0 m (13')	2.8 m (9')
4.3 m (14')	3.1 m (10')
4.6 m (15')	3.4 m (11')
4.9 m (16')	3.7 m (12')
5.2 m (17')	4.0 m (13')
5.5 m (18')	4.3 m (14')
5.8 m (19')	4.6 m (15')
6.1 m (20')	4.9 m (16')
6.4 m (21')	5.2 m (17')
6.7 m (22')	5.5 m (18')
7.0 m (23')	5.8 m (19')
7.3 m (24')	6.1 m (20')
7.6 m (25')	6.4 m (21')



DESIGNED	GHT	REVISIONS	
DRAWN	DMS	DATE	
CHECKED	MPM	R.L.	6/94
DATE	1/25/10	R.L.	2/96
		R.L.	9/96
		R.L.	2/98

ILLINOIS DEPARTMENT OF TRANSPORTATION
TRAFFIC SYSTEMS CENTER
TYPICAL RAMP METERING
TYPE 3 BARRIER WALL
INSTALLATION

SCALE: VERT. NONE
DATE: 6-22-94

DRAWN BY: G.M.
CHECKED BY: R.L.

TRAFFIC SYSTEMS CENTER (TY-1TSC-400*3)

FILE NAME =	DESIGNED - GHT	REVISIONS	
USER NAME = jmajewski	DRAWN - DMS	DATE	
PLOT DATE = 1/25/2010	CHECKED - MPM	R.L.	6/94
	DATE - 1/25/10	R.L.	2/96
		R.L.	9/96
		R.L.	2/98

benesch

STATE OF ILLINOIS
DEPARTMENT OF TRANSPORTATION

TRAFFIC SYSTEM CENTER
DETAIL SHEETS

SCALE: N.T.S.	SHEET NO. 3 OF 15 SHEETS	STA.	TO STA.
---------------	--------------------------	------	---------

F.A.I. RTE.	SECTION	COUNTY	TOTAL SHEETS NO.	SHEET NO.
290	(2727, ETC., 313)RS-7	COOK	216	184
FED. ROAD DIST. NO.	ILLINOIS FED. AID PROJECT			
			CONTRACT NO. 60G53	