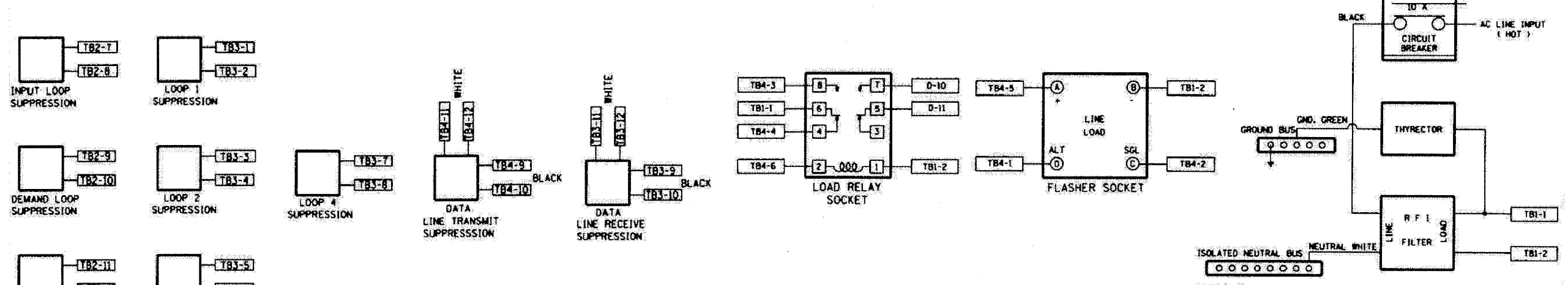
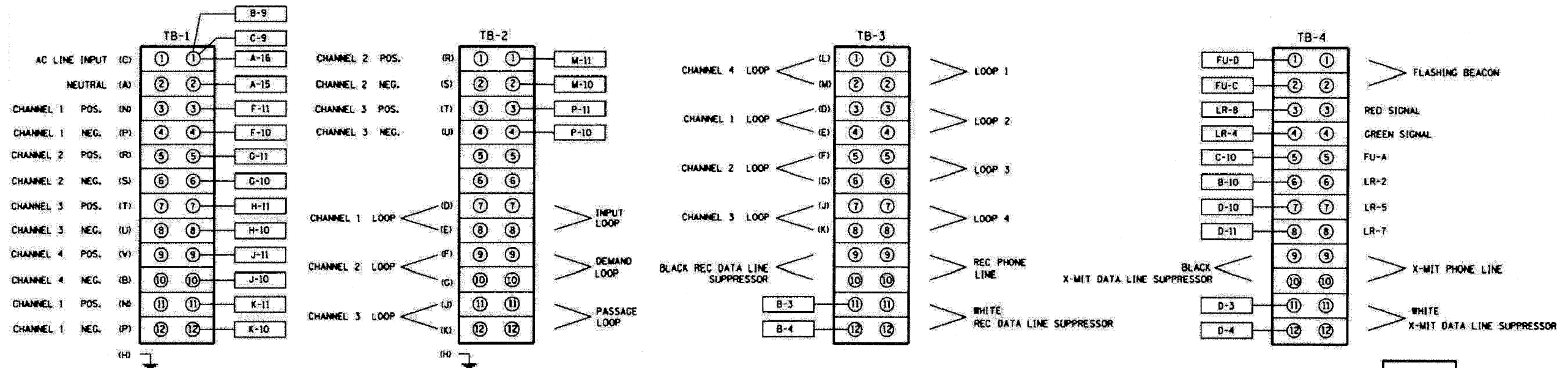
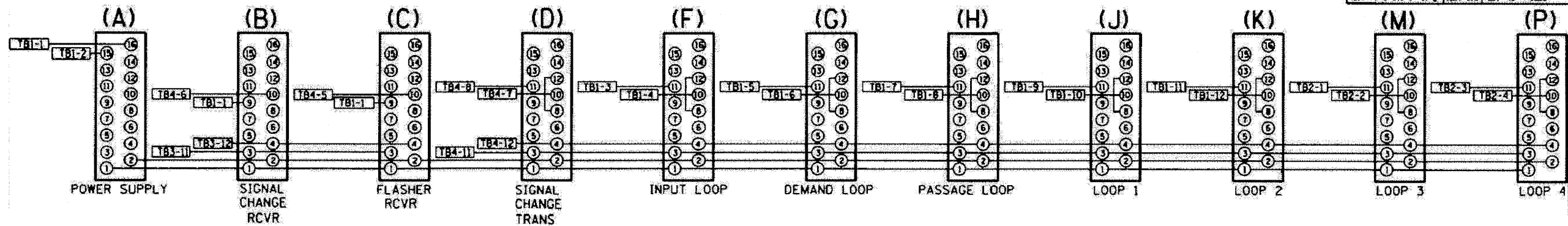


# BACK VIEW OF TONE RACK

F.A.I. RTE.	SECTION	COUNTY	TOTAL SHEETS	SHEET NO.
STA. _____	TO STA. _____		216	186
FED. ROAD DIST. NO. ILLINOIS FED. AID PROJECT				



CABINET NO. <b>REVISED</b>		ILLINOIS DEPARTMENT OF TRANSPORTATION TRAFFIC SYSTEMS CENTER	
NAME	DATE	<b>METERING CABINET WIRING DIAGRAM</b>	
T.C.	6/94		
R.L.	3/95		
R.L.	5/95		
SCALE: MET. NONE		DRAWN BY: C.M.	
DATE: 6/21/94		CHECKED BY: T.C.	

## TRAFFIC SYSTEMS CENTER (TY-1TSC-400\*8)

FILE NAME: \\ppp\in_abc\c3.ts.det_05.dgn	DESIGNED - GHT	REVISED -
USER NAME: jmajewski	DRAWN - DMS	REVISED -
PLT DATE: 1/25/2010	CHECKED - MPM	REVISED -
	DATE: 1/25/10	REVISED -

**benesch**  
STATE OF ILLINOIS  
DEPARTMENT OF TRANSPORTATION

TRAFFIC SYSTEM CENTER  
DETAIL SHEETS  
SCALE: N.T.S. SHEET NO. 5 OF 15 SHEETS STA. TO STA.

F.A.I. RTE.	SECTION	COUNTY	TOTAL SHEETS	SHEET NO.
290	(2727, ETC., 3131)RS-7	COOK	216	186
CONTRACT NO. 60C53				
FED. ROAD DIST. NO. ILLINOIS FED. AID PROJECT				