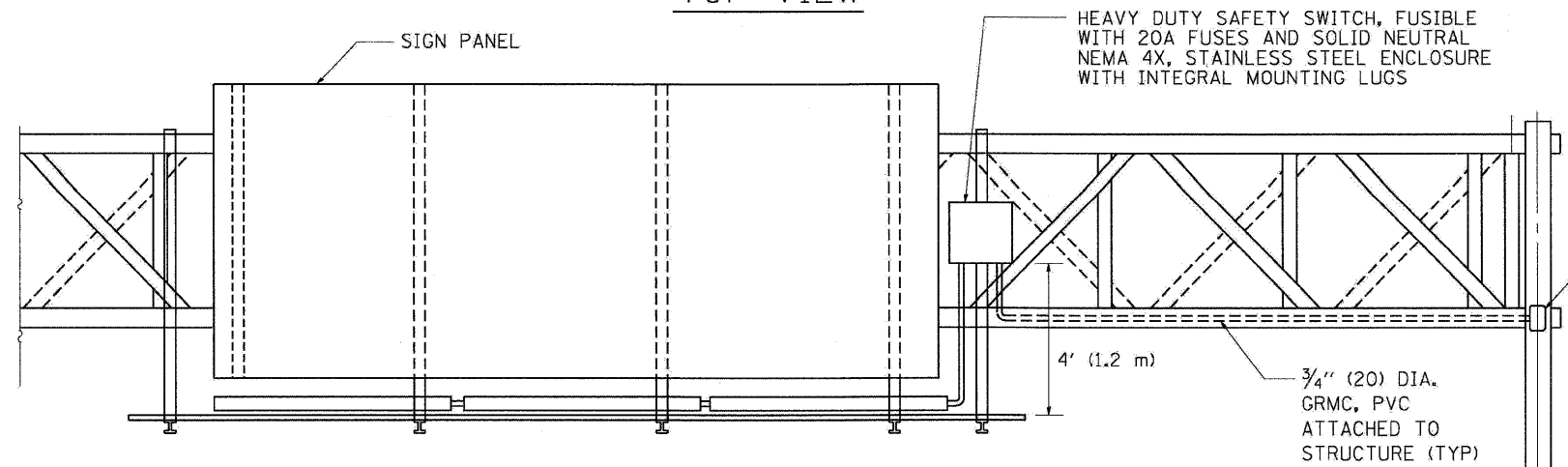
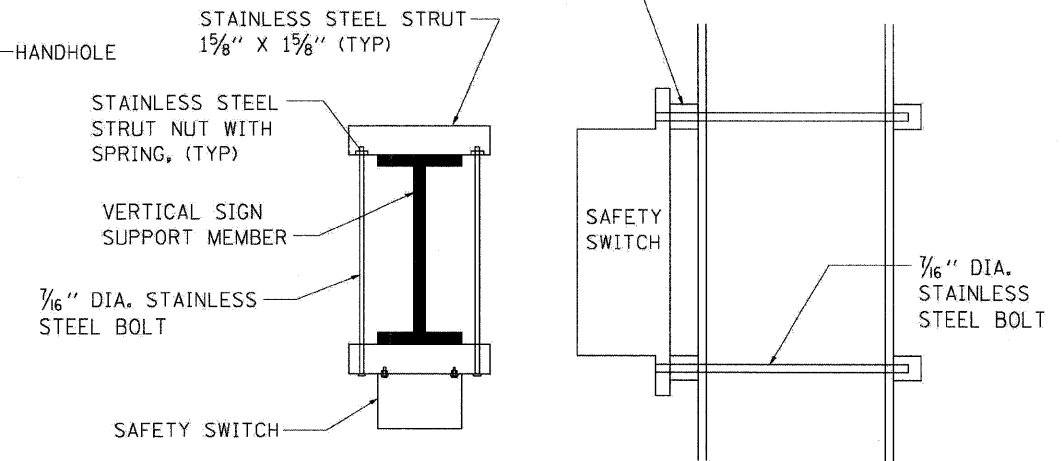
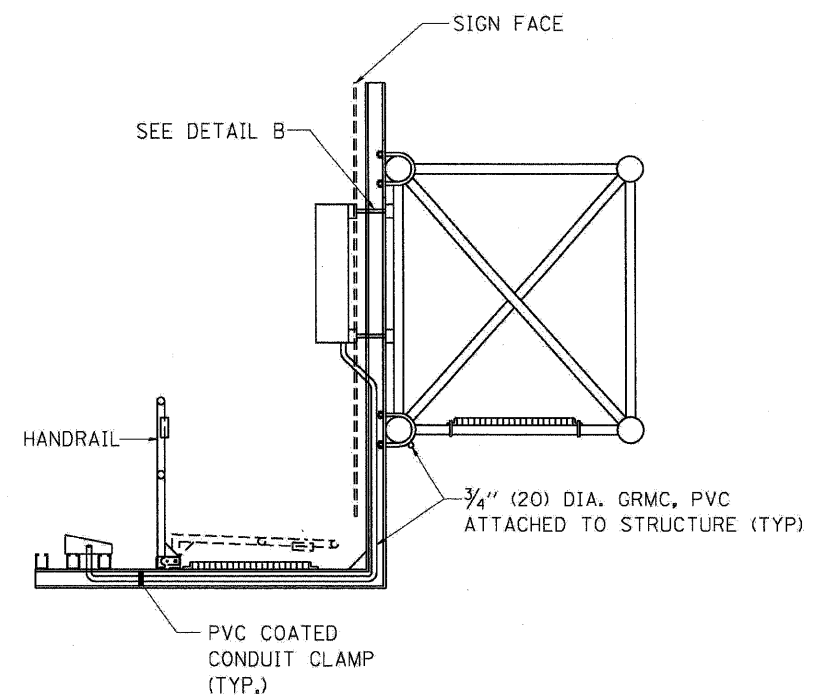


TOP VIEW



ELEVATION VIEW



TOP VIEW

SIDE VIEW

DETAIL B

FILE NAME =	DESIGNED - AJP	REVISED -
...\\prp\h.abc\c3\01.3c-6000.dgn	DRAWN - TMB	REVISED -
USER NAME = jmajewski	CHECKED - JMM	REVISED -
PLOT DATE = 1/25/2010	DATE - 1/25/10	REVISED -

benesch

**STATE OF ILLINOIS
DEPARTMENT OF TRANSPORTATION**

ELECTRIC CONNECTION TO SIGN STRUCTURE SPAN TYPE		
SCALE: N.T.S.	SHEET NO. 6 OF 20 SHEETS	STA. TO STA.

F.A.I. RTE.	SECTION	COUNTY	TOTAL SHEETS	SHEET NO.
290	(2727, ETC., 313)RS-7	COOK	216	202
CONTRACT NO. 60G53				
FED. ROAD DIST. NO. [ILLINOIS] FED. AID PROJECT				

BE-600